



US00D977257S

(12) **United States Design Patent**
Roll

(10) **Patent No.:** **US D977,257 S**
(45) **Date of Patent:** **** Feb. 7, 2023**

(54) **COMBINED TOWEL WITH INTEGRATED BRUSH**

(71) Applicant: **Robert Ryan Golf LLC**, Blackfoot, ID (US)

(72) Inventor: **Robert Ryan Roll**, Blackfoot, ID (US)

(73) Assignee: **Robert Ryan Golf LLC**, Blackfoot, ID (US)

(**) Term: **15 Years**

(21) Appl. No.: **29/652,657**

(22) Filed: **Oct. 19, 2020**

(51) **LOC (14) Cl.** **04-01**

(52) **U.S. Cl.**
USPC **D4/116**

(58) **Field of Classification Search**
USPC D4/116–118, 130; D6/608; D21/789,
D21/793, 795
CPC A46B 15/00; A47L 13/12; A63B 5/0087;
A63B 57/00
See application file for complete search history.

(56) **References Cited**

U.S. PATENT DOCUMENTS

3,350,736 A * 11/1967 Williams A63B 57/60
15/118
D339,496 S * 9/1993 Corcoran D6/608
D350,232 S * 9/1994 Stangarone A63B 57/60
D32/42
5,349,715 A 9/1994 Lewis, Jr.
D412,422 S * 8/1999 Cobb D6/608

(Continued)

FOREIGN PATENT DOCUMENTS

CN 202027072 U 11/2011
CN 202515553 U 11/2012

(Continued)

OTHER PUBLICATIONS

Gruvtowl; “Gruvtowl +GRUVBRUSH the easy solution . . . ”; [online] ‘www.facebook.com/gruvtowl’; dated Jul. 31, 2021; accessed Apr. 24, 2022; 1pg. (Year: 2021).*

(Continued)

Primary Examiner — Keli L Hill

(74) *Attorney, Agent, or Firm* — Barnes & Thornburg LLP; Ryan L. Marshall; Steven Sturlis

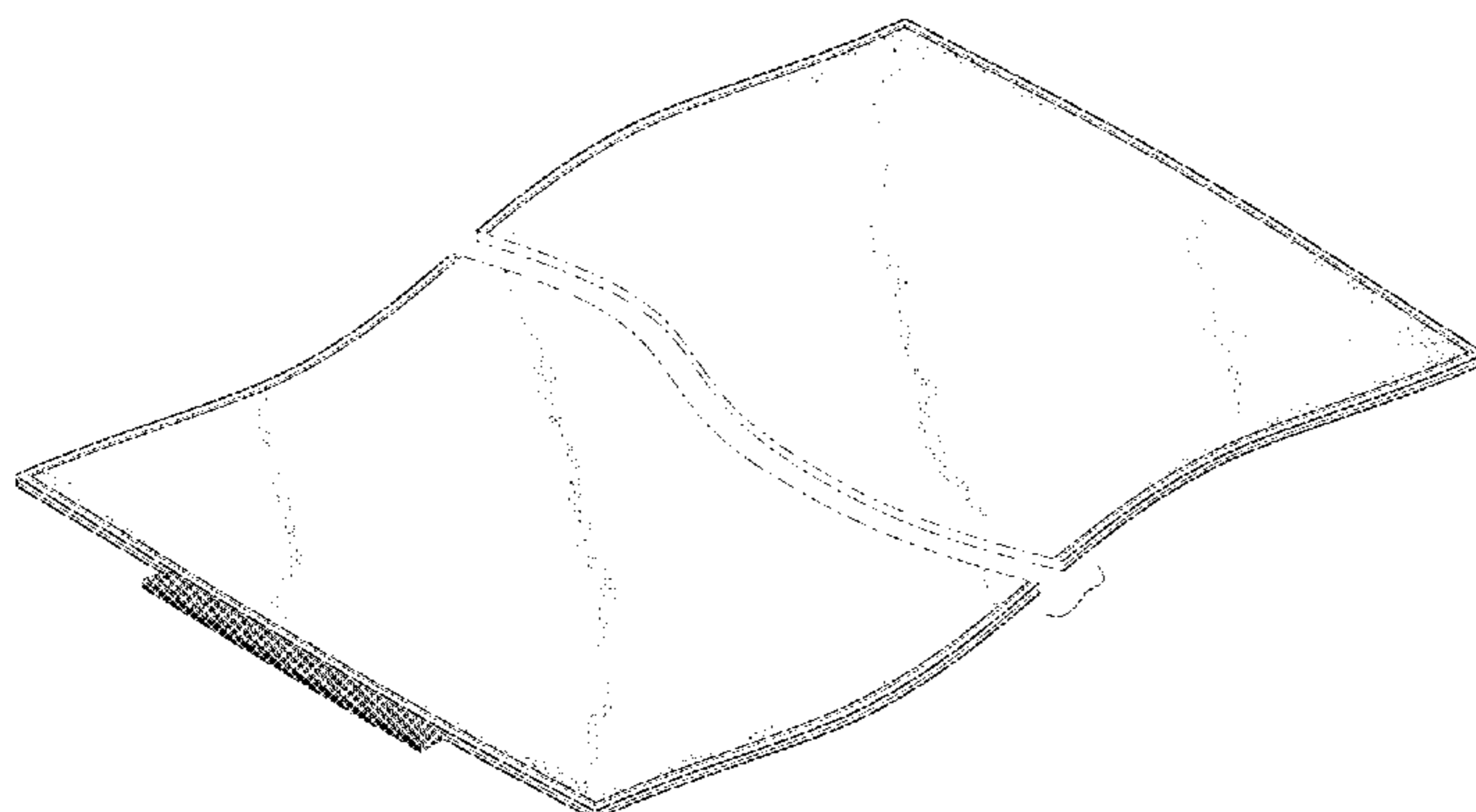
(57) **CLAIM**

I claim the ornamental design for a combined towel and integrated brush, as shown and described.

DESCRIPTION

FIG. 1 is a right-front perspective view of a combined towel and integrated brush, showing my new design; FIG. 2 is an alternate right and front side perspective view thereof, shown in a flexible state; FIG. 3 is a top plan view thereof; FIG. 4 is a left side elevation view thereof; FIG. 5 is a right side elevation view thereof; FIG. 6 is a rear elevation view thereof; FIG. 7 is a front elevation view thereof; FIG. 8 is an alternate top plan view thereof, shown in a flat, tri-folded state; and, FIG. 9 is a left and front perspective view thereof, shown in a peaked tri-folded state. The dash-dash-dash broken lines seen within the claim area around the perimeter of the towel are shown to represent stitching. The combined towel and integrated brush is shown with symbolic breaks in its length in all of the figures. It is understood that patentability is based only on those portions of the article that are shown in solid lines, and the appearance of any portion of the article between the break lines forms no part of the claimed design.

1 Claim, 5 Drawing Sheets



(56)

References Cited

U.S. PATENT DOCUMENTS

D426,606 S * 6/2000 Jones D21/789
9,162,125 B1 * 10/2015 McBryde A46B 15/00
D797,460 S * 9/2017 Pellegrino D4/137
9,802,092 B2 * 10/2017 Repasky, Jr. A46B 11/0024
D869,807 S * 12/2019 Pellegrino A46B 15/00
D32/40
D901,804 S * 11/2020 Pellegrino A46B 11/0024
D32/40
2012/0272467 A1 11/2012 Forbes

FOREIGN PATENT DOCUMENTS

JP 3013785 B2 2/2000
KR 20110049202 A 5/2011
KR 20120005815 A 1/2012
WO 2015067830 A1 5/2015
ZA 9805865 B 1/1999

OTHER PUBLICATIONS

Mark Your Greens; "Mark Your Green's 3 in 1 Golf Towel";
[online—retrieved via Wayback Machine] 'web.archive.org/web/
20211031035839/https://www.markyourgreens.com/product/3-in-1-
golf-towel/'; dated Oct. 31, 2021; accessed Apr. 24, 2022; 2pgs.
(Year: 2021).*

PPAI 2015 archives: Golf towels, golf ball, drink sleeves. Pinterest.
(Jan. 28, 2015). Retrieved Jul. 21, 2020, from <https://www.pinterest.com/pin/ppai-2015-archives--301881981248398422/>.

* cited by examiner

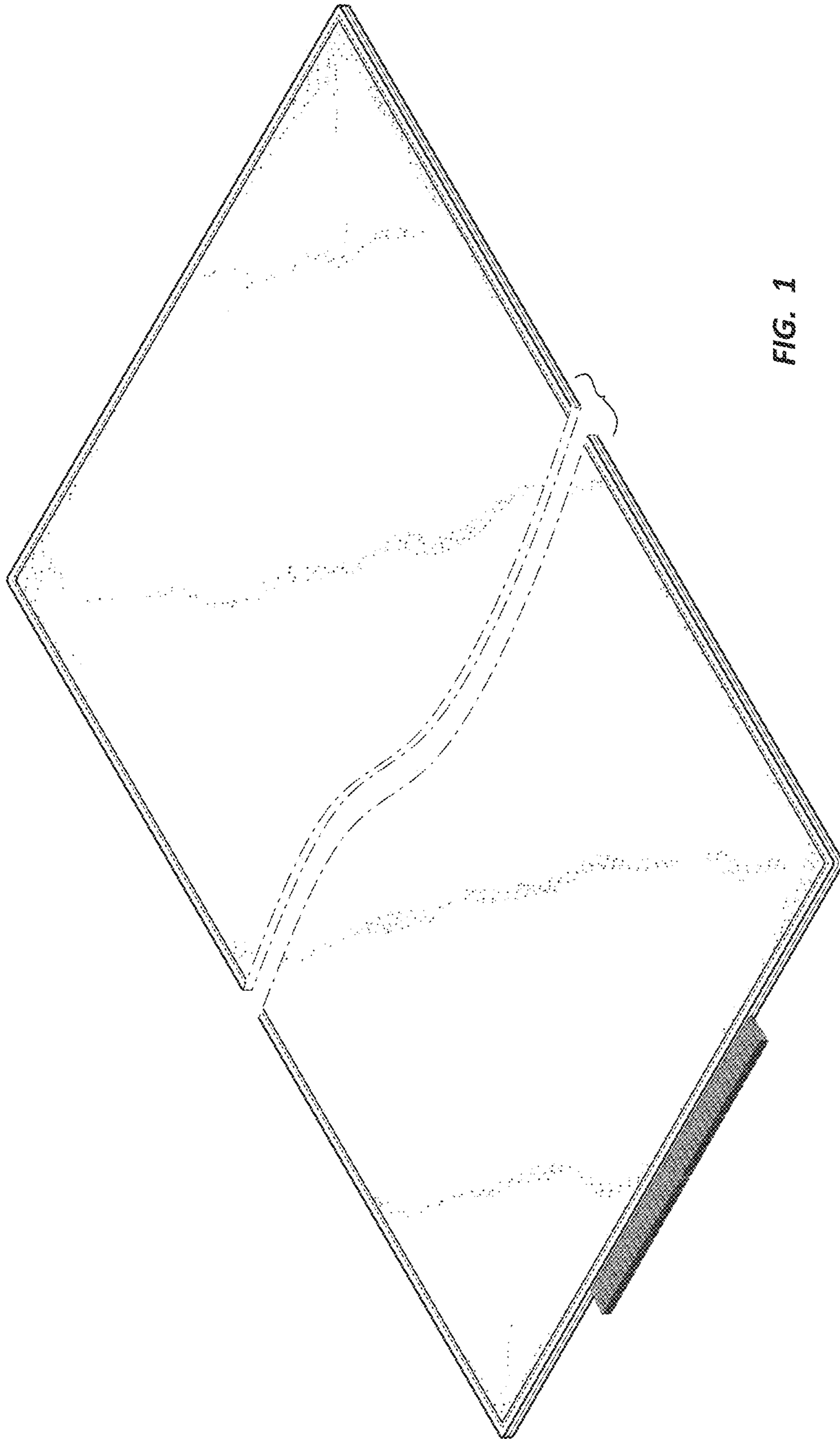


FIG. 1

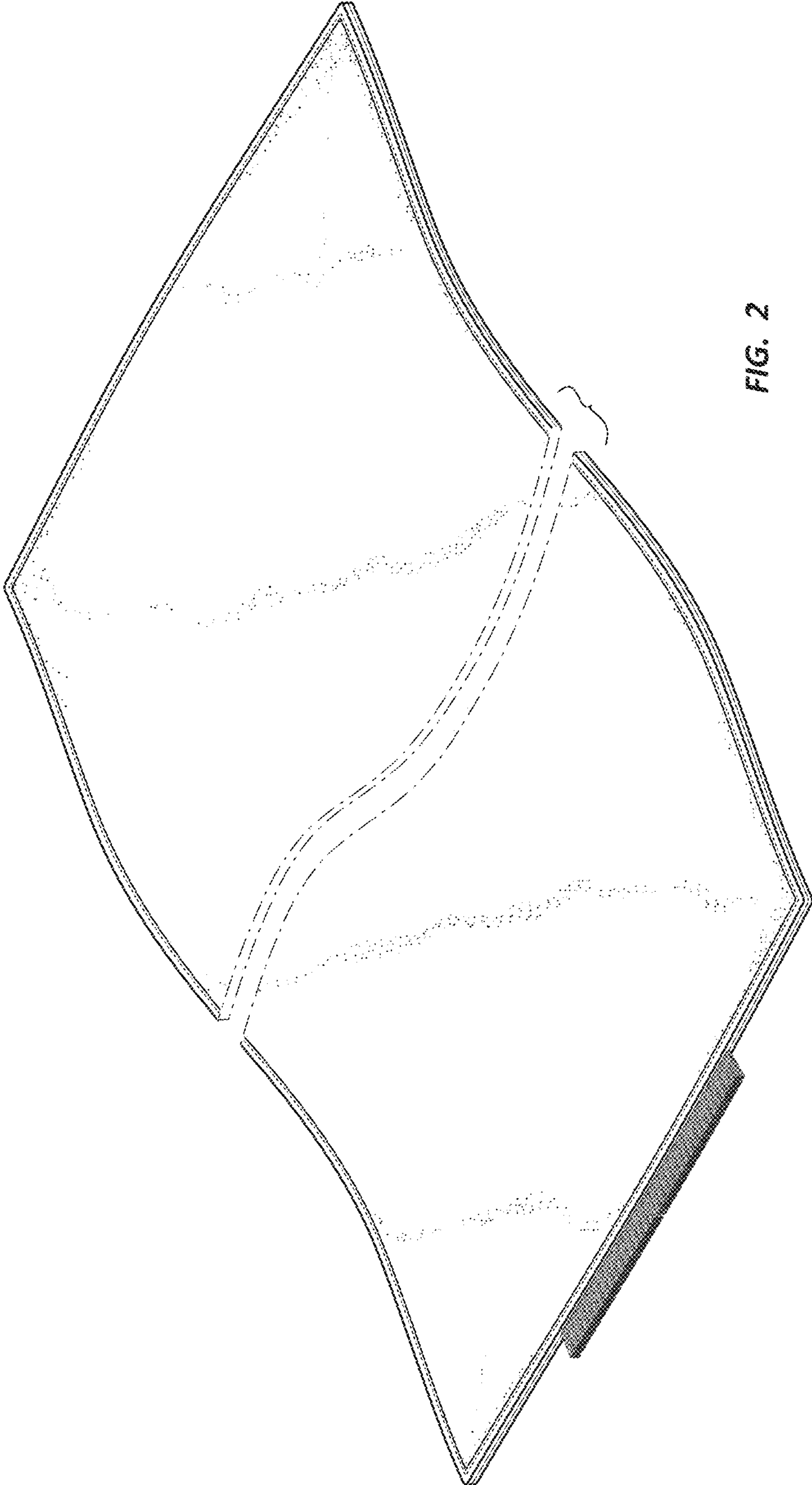
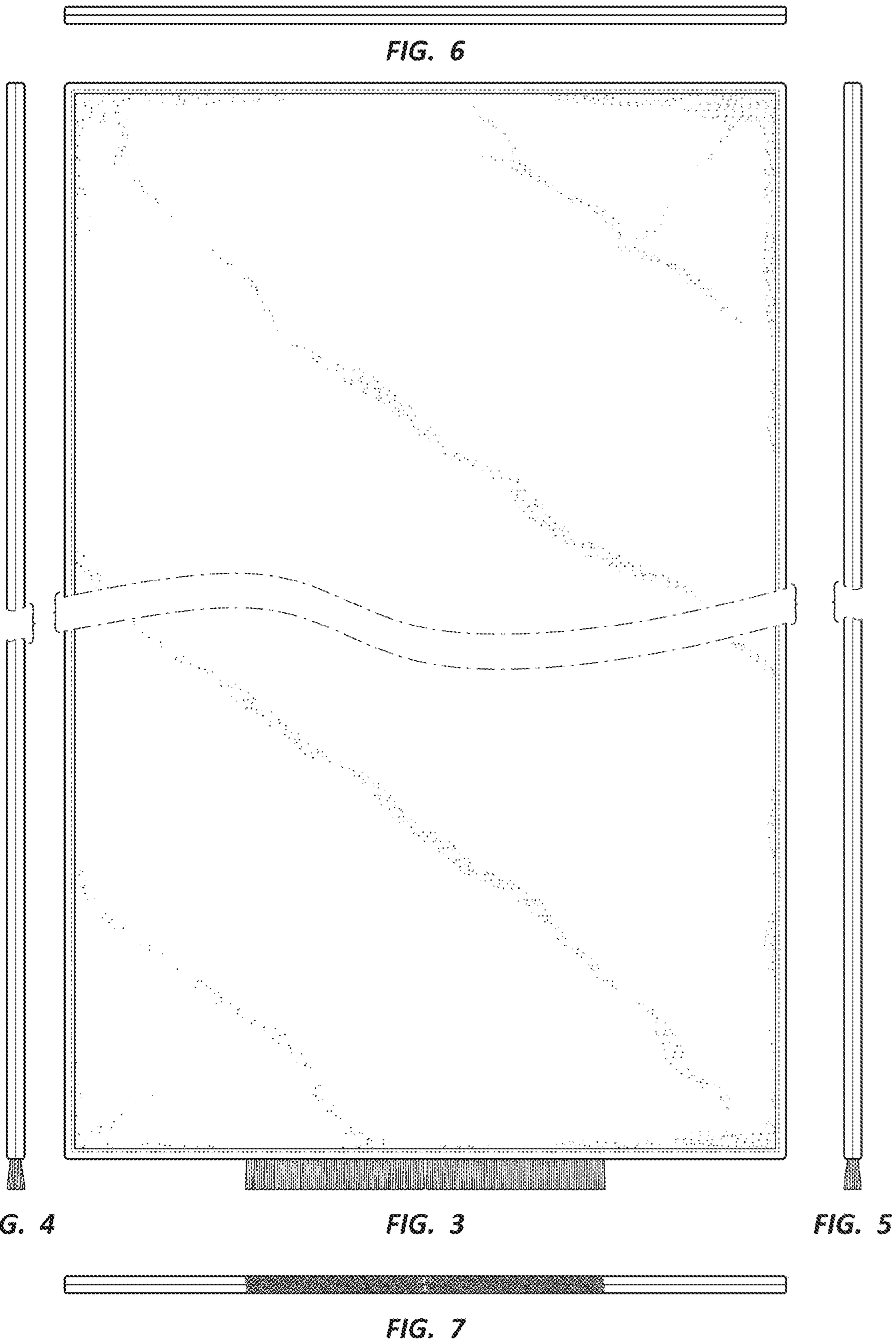


FIG. 2



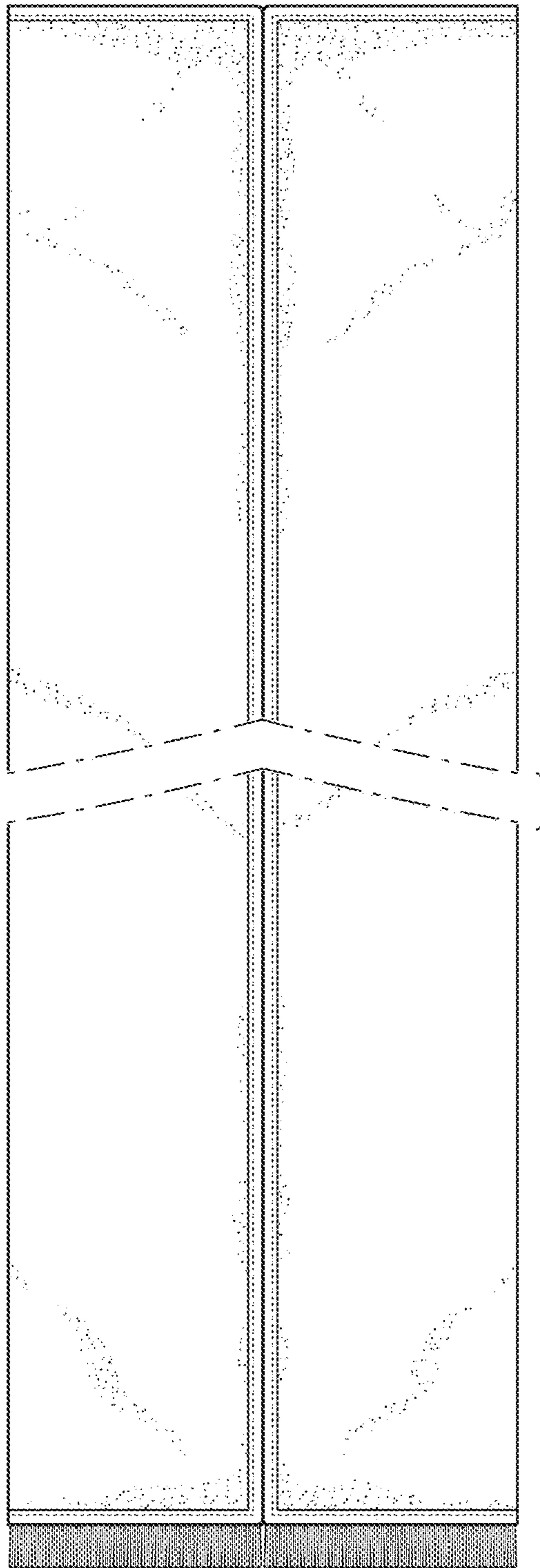


FIG. 8

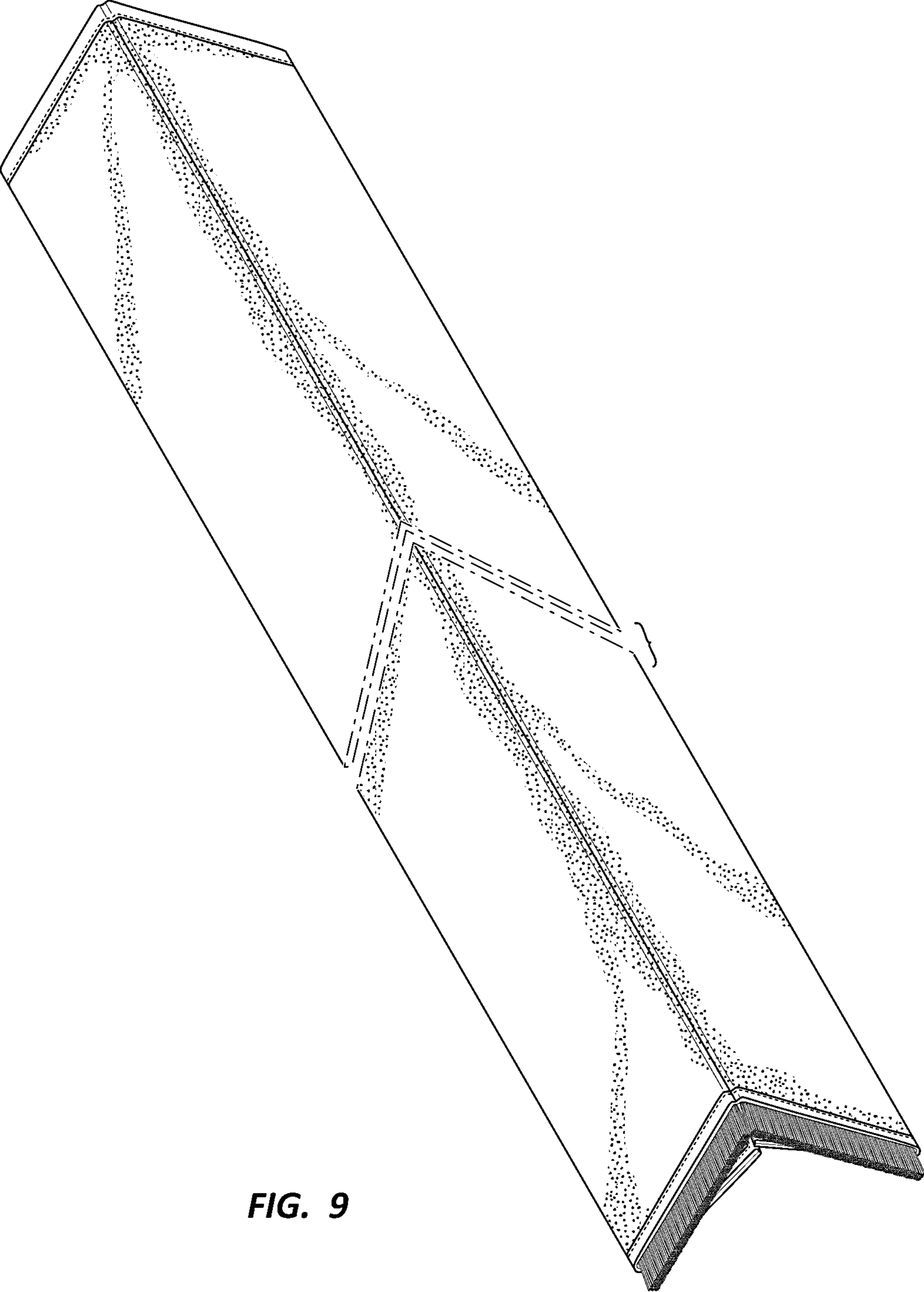


FIG. 9