



US00D977256S

(12) **United States Design Patent**  
**Liu**

(10) **Patent No.:** **US D977,256 S**  
(45) **Date of Patent:** **\*\* Feb. 7, 2023**

- (54) **ELECTRIC TOOTHBRUSH**
- (71) Applicant: **Guangdong Meihong Dental Technology Co., Ltd., Guangdong (CN)**
- (72) Inventor: **Yafei Liu, Guangdong (CN)**
- (73) Assignee: **Guangdong Meihong Dental Technology Co., Ltd., Guangdong (CN)**
- (\*\*) Term: **15 Years**
- (21) Appl. No.: **29/850,935**
- (22) Filed: **Aug. 24, 2022**
- (51) **LOC (14) Cl.** ..... **04-02**
- (52) **U.S. Cl.**  
USPC ..... **D4/101**
- (58) **Field of Classification Search**  
USPC ..... D4/101, 102, 104, 105, 106, 107, 108, D4/109, 110, 111, 112, 113  
CPC ..... A46B 9/04; A46B 2200/1066  
See application file for complete search history.

- (56) **References Cited**  
**U.S. PATENT DOCUMENTS**  
3,010,131 A \* 11/1961 Kisky ..... A46B 9/04 D4/110  
D653,035 S \* 1/2012 Gebski ..... D4/101  
D657,565 S \* 4/2012 Gebski ..... D4/101  
D715,057 S \* 10/2014 Adriaenssen ..... D4/101

- 9,724,180 B1 \* 8/2017 Liu ..... A61C 17/222
- D939,216 S \* 12/2021 Liu ..... D4/111
- D954,441 S \* 6/2022 Zhou ..... D4/101
- D956,424 S \* 7/2022 Zhou ..... D4/101
- D958,542 S \* 7/2022 Zhou ..... D4/101
- D958,543 S 7/2022 Xie
- D959,844 S 8/2022 Xie
- D961,268 S \* 8/2022 Kuang ..... D4/101
- D965,303 S \* 10/2022 Tang ..... D4/110
- 2020/0397133 A1 \* 12/2020 Park ..... A46B 5/023

\* cited by examiner

*Primary Examiner* — Karen E Eldridge Powers  
(74) *Attorney, Agent, or Firm* — ScienBiziP, P.C.

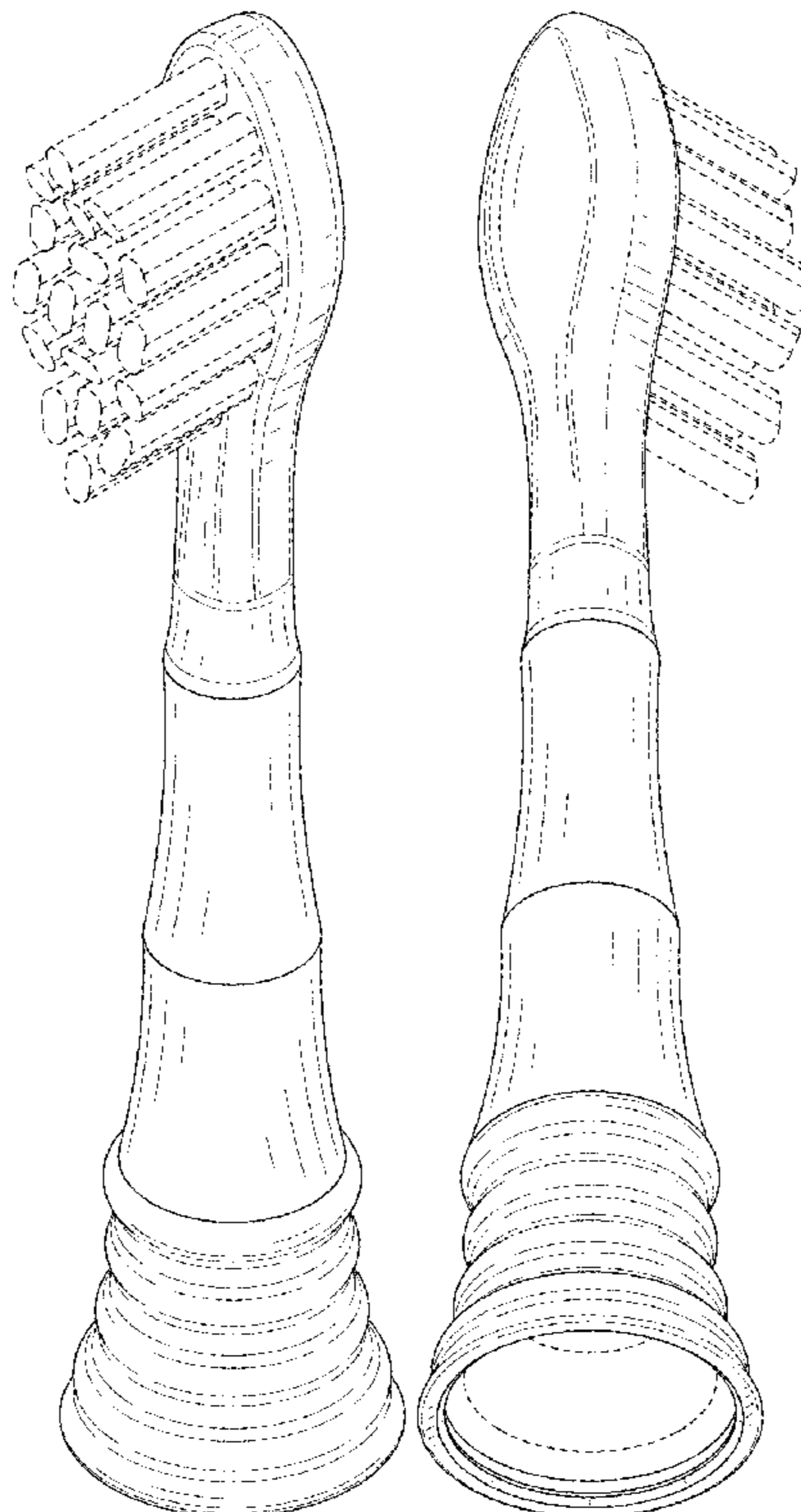
(57) **CLAIM**

The ornamental design for an electric toothbrush, as shown and described.

**DESCRIPTION**

FIG. 1 is a front, right side and top perspective view of an electric toothbrush showing my design.  
 FIG. 2 is a rear, left side and bottom perspective view thereof.  
 FIG. 3 is a front elevation view thereof.  
 FIG. 4 is a rear elevation view thereof.  
 FIG. 5 is a left side elevation view thereof.  
 FIG. 6 is a right side elevation view thereof.  
 FIG. 7 is a top plan view thereof; and,  
 FIG. 8 is a bottom plan view thereof.  
 The broken lines shown in the drawings are included for the purpose of illustrating portions of the electric toothbrush that form no part of the claimed design.

**1 Claim, 8 Drawing Sheets**



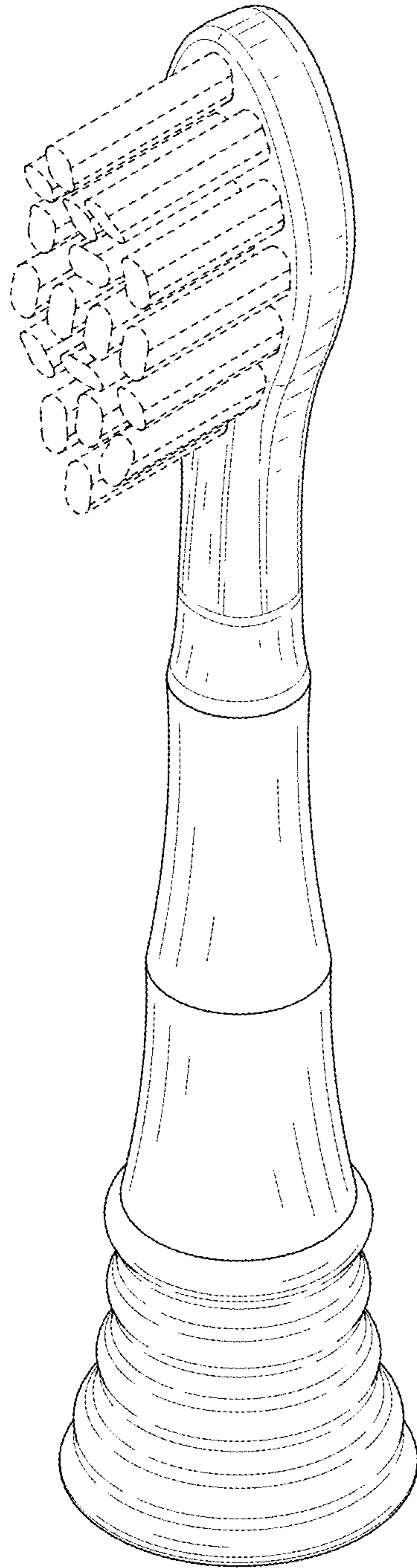


FIG. 1

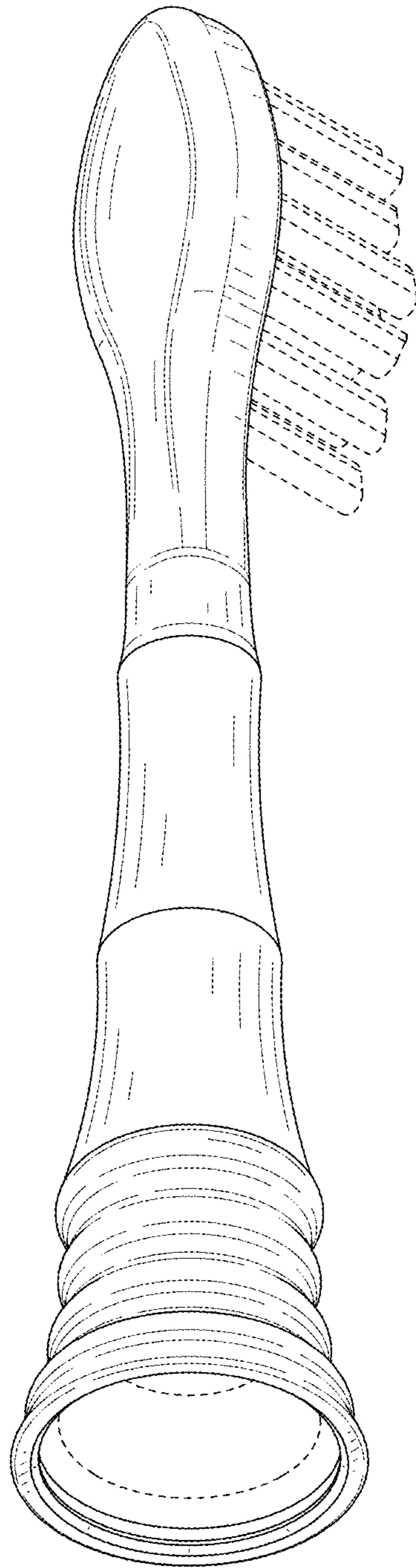


FIG. 2

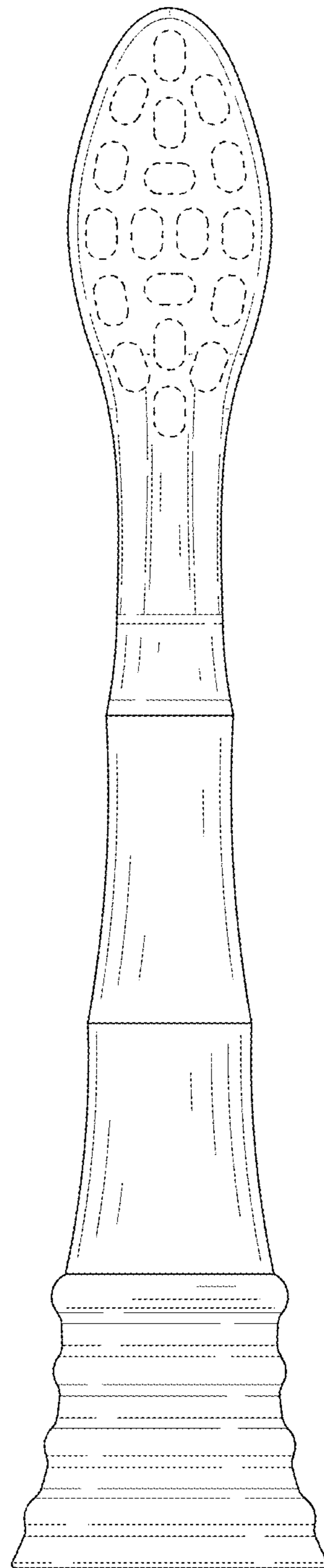


FIG. 3

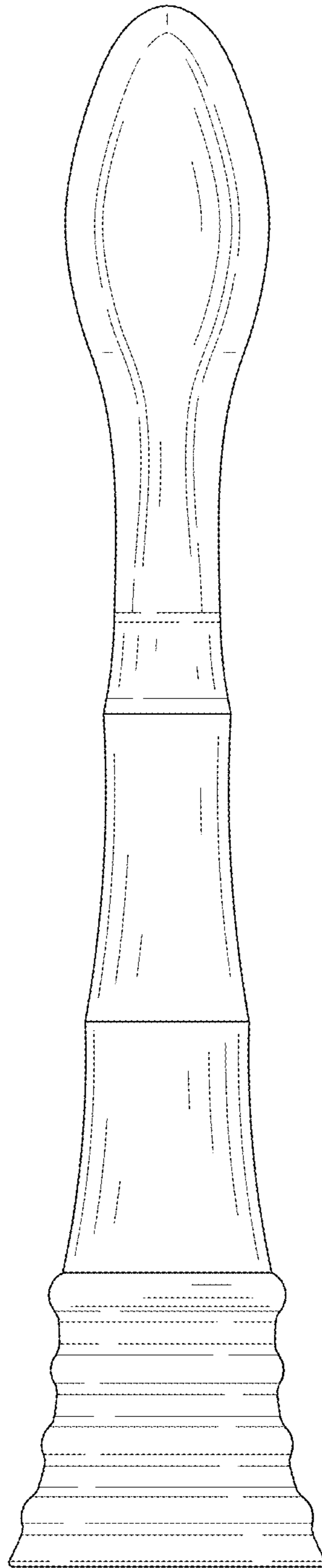


FIG. 4

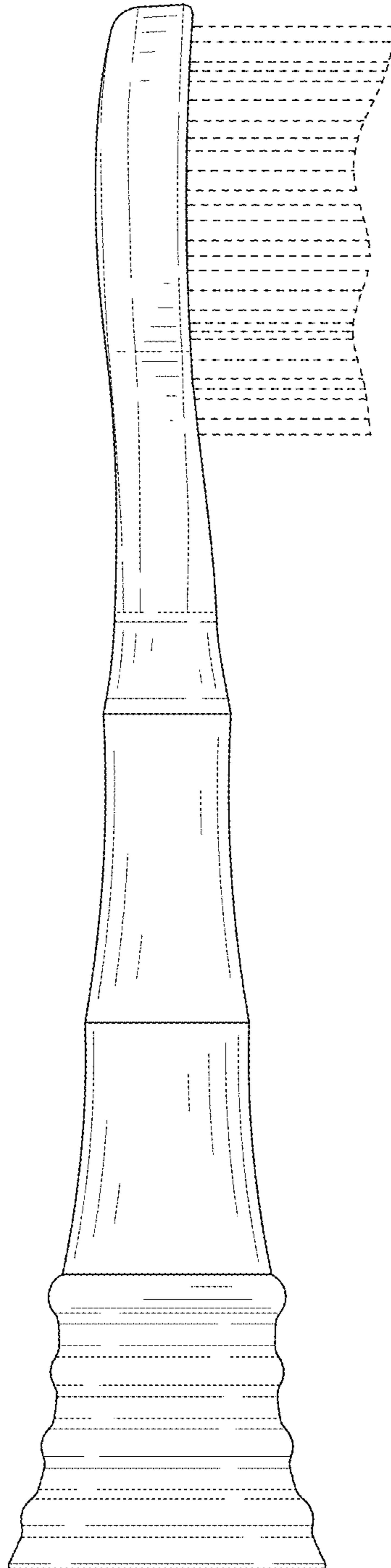


FIG. 5

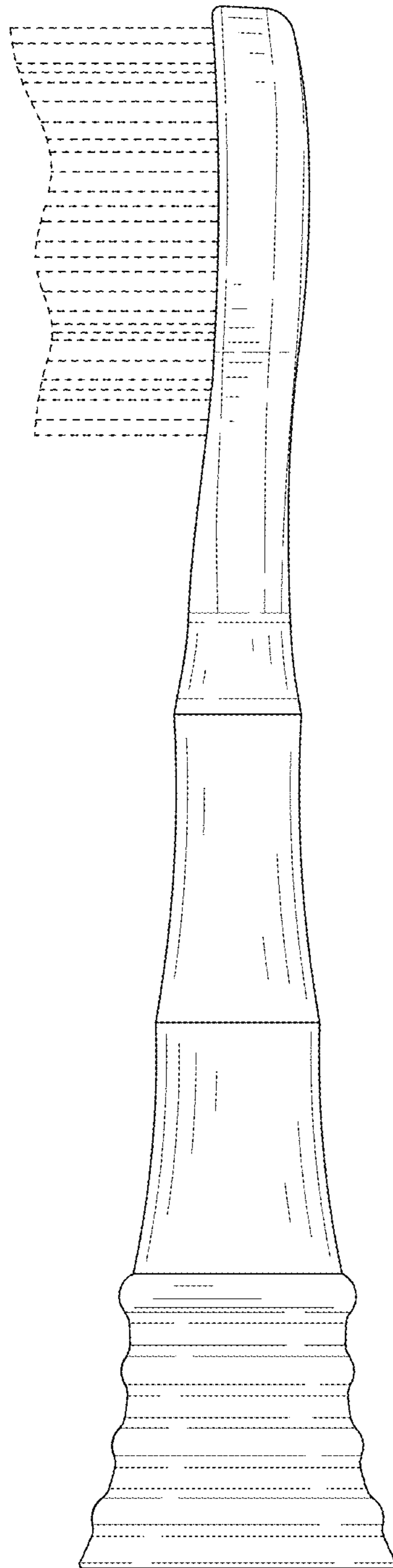


FIG. 6

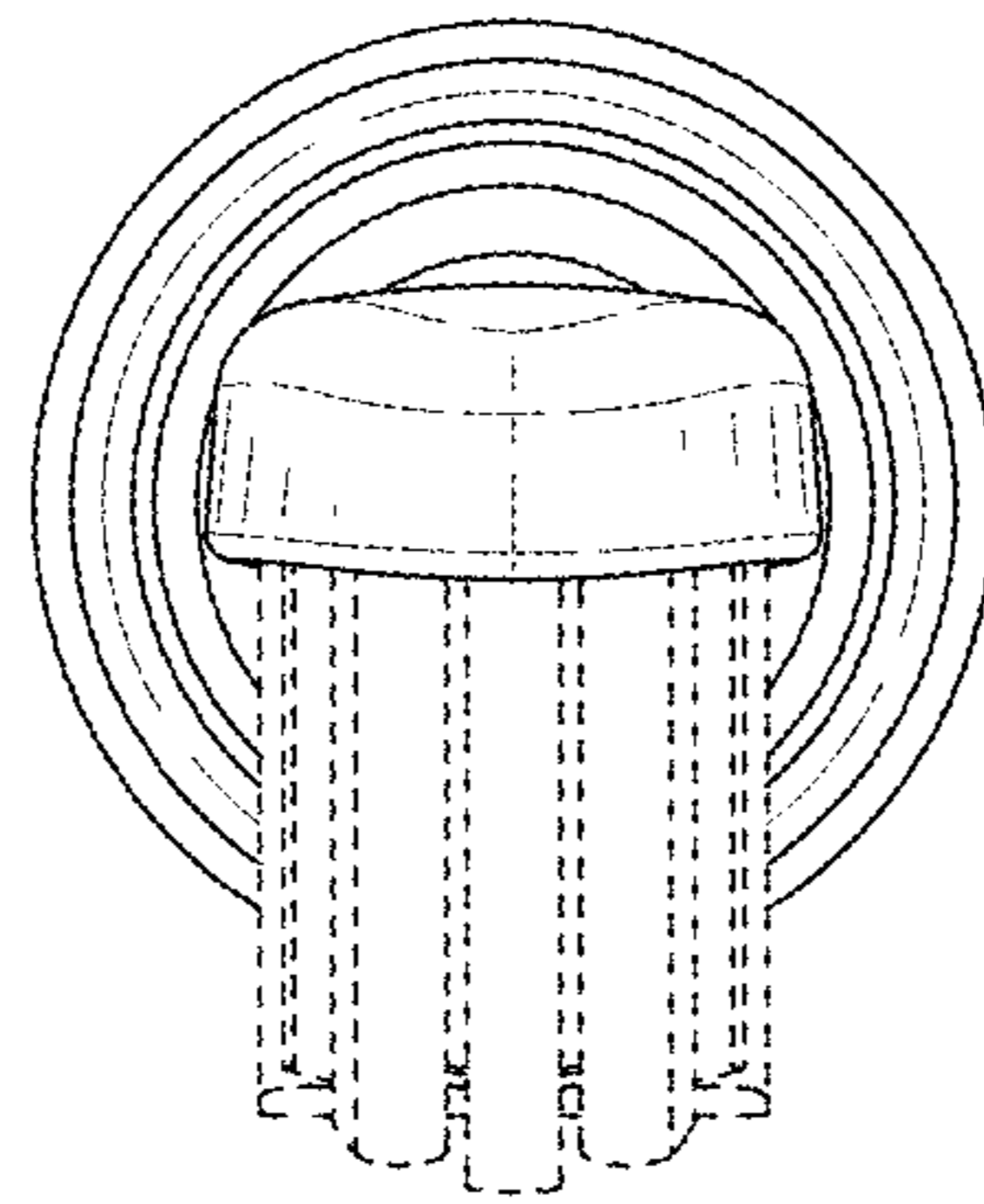


FIG. 7



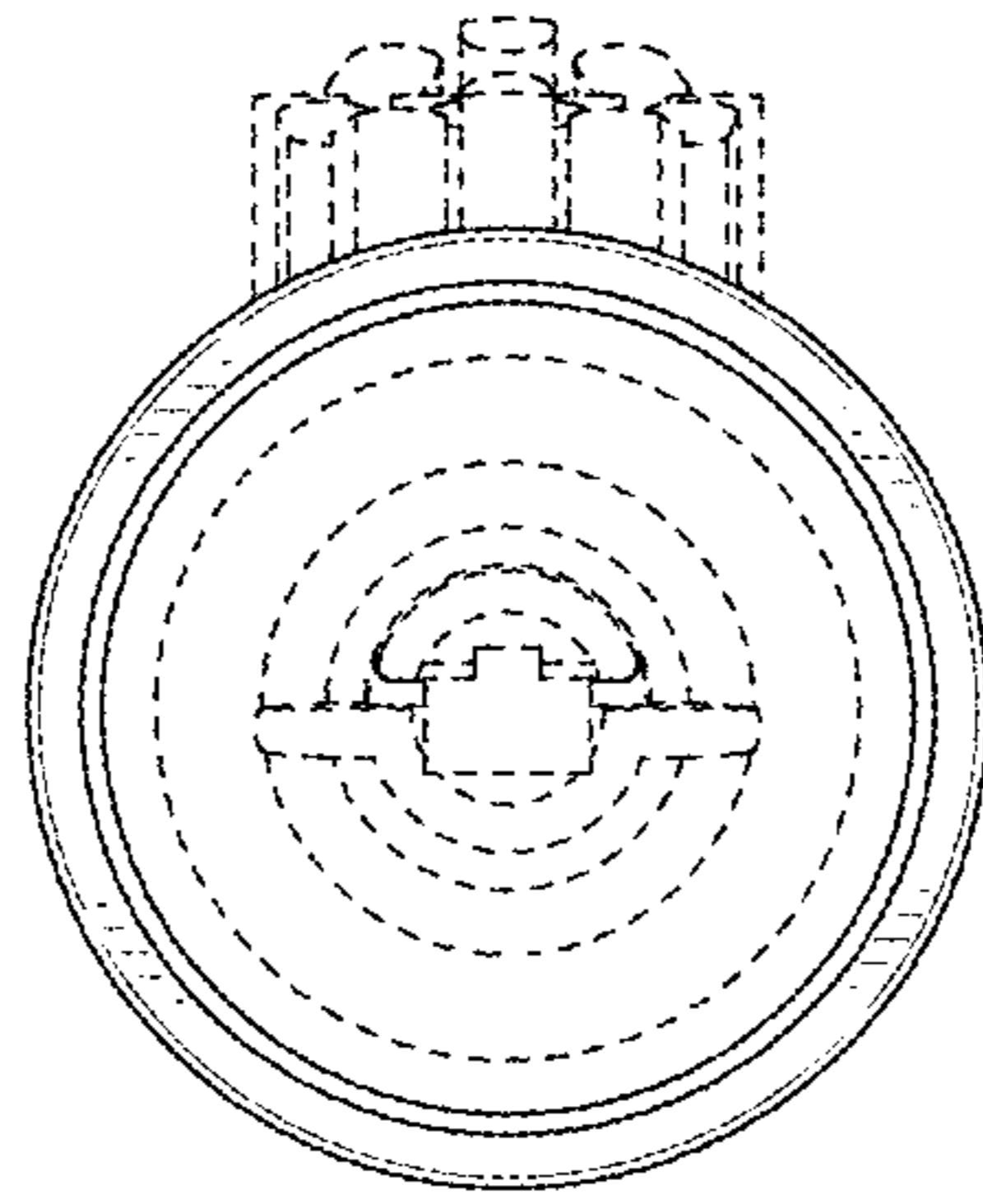


FIG. 8