



US00D977254S

(12) **United States Design Patent** (10) **Patent No.:** **US D977,254 S**  
**Chiu et al.** (45) **Date of Patent:** **\*\* Feb. 7, 2023**

(54) **TRAVEL FOLDER CASE**

OTHER PUBLICATIONS

(71) Applicant: **10741841 CANADA INC.**, Toronto (CA)

Chef Sac, "Chef Knife Travel Bag Case", Oldest review Aug. 18, 2019 (<https://www.chefsac.com/collections/roll-bag/products/chef-knife-travel-bag-case>) (Year: 2019).\*

(72) Inventors: **Keith Chiu**, Markham (CA); **Philip Lee**, Toronto (CA)

Core77, "A Look at Knife Rolls", Published Jan. 16, 2012. (<https://www.core77.com/posts/21528/A-Look-at-Knife-Rolls>) (Year: 2012).\*

\* cited by examiner

(73) Assignee: **10741841 CANADA INC.**, Toronto (CA)

Primary Examiner — April Rivas

(74) Attorney, Agent, or Firm — Tatonetti IP

(\*\*) Term: **15 Years**

(57) **CLAIM**

We claim the ornamental design for a travel folder case, as shown and described.

(21) Appl. No.: **29/750,740**

**DESCRIPTION**

(22) Filed: **Sep. 16, 2020**

(51) **LOC (14) Cl.** ..... **03-01**

(52) **U.S. Cl.**

USPC ..... **D3/319; D3/284; D7/637**

(58) **Field of Classification Search**

USPC ..... **D3/217, 273, 276, 285, 283, 289, 293, D3/301, 303, 901, 902, 318, 319, 323, D3/324, 284**

CPC ..... **A45C 9/00; A45F 4/06**

See application file for complete search history.

FIG. 1 is a perspective view of the travel folder case in a closed position, in which environmental features of the outer portion of the travel folder case are shown; FIG. 2 is a perspective view of the travel folder case in an opened position with internal flaps being flipped vertically; FIG. 3 is a front side view thereof; FIG. 4 is a rear side view thereof; FIG. 5 is a right side view thereof; FIG. 6 is a left side view thereof; FIG. 7 is a top side view thereof; FIG. 8 is a bottom side view thereof; and, FIG. 9 is a perspective view of the front side of the travel folder case, in which the flaps are positioned inside the travel folder case.

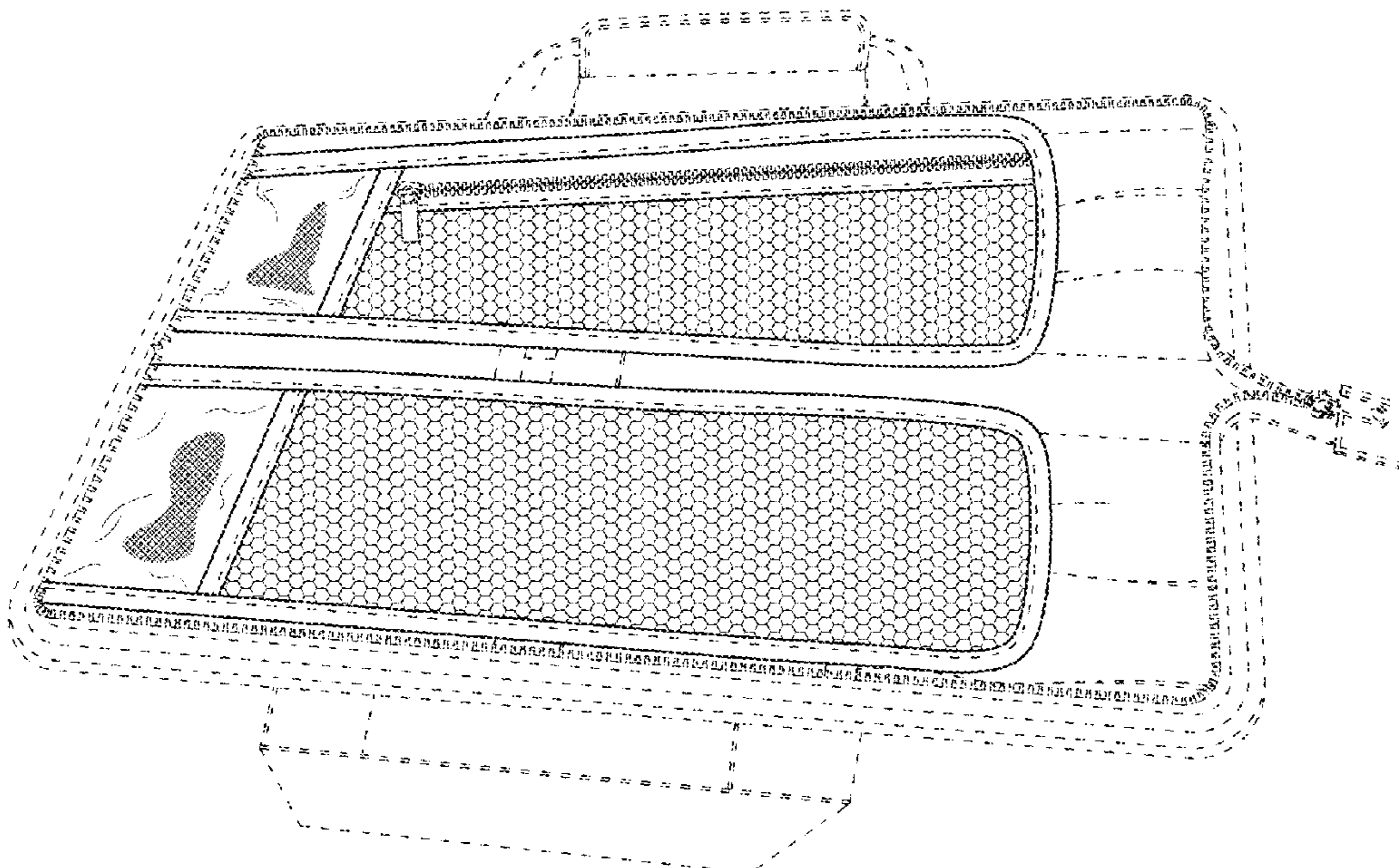
(56) **References Cited**

**U.S. PATENT DOCUMENTS**

D720,537 S *	1/2015	Taller	.....	D3/299
D755,522 S *	5/2016	Rubio	.....	D3/318
D843,112 S *	3/2019	Murray	.....	D3/313
D884,349 S *	5/2020	Graham	.....	D3/319
D893,861 S *	8/2020	Dyk	.....	D3/217
D893,862 S *	8/2020	Dyk	.....	D3/217
D906,671 S *	1/2021	McCullagh	.....	D3/278
D930,982 S *	9/2021	Woody	.....	D3/299

Broken lines, such as those representing other internal features and the outer portion of the travel folder case, are for environmental purposes only and form no part of the claimed design. The broken lines shown on the flaps in FIGS. 2 and 7-9 represent stitching and are part of the claimed design. The hexagon openings shown on the flaps in FIGS. 8 and 9 represent a see-through mesh appearance.

**1 Claim, 9 Drawing Sheets**



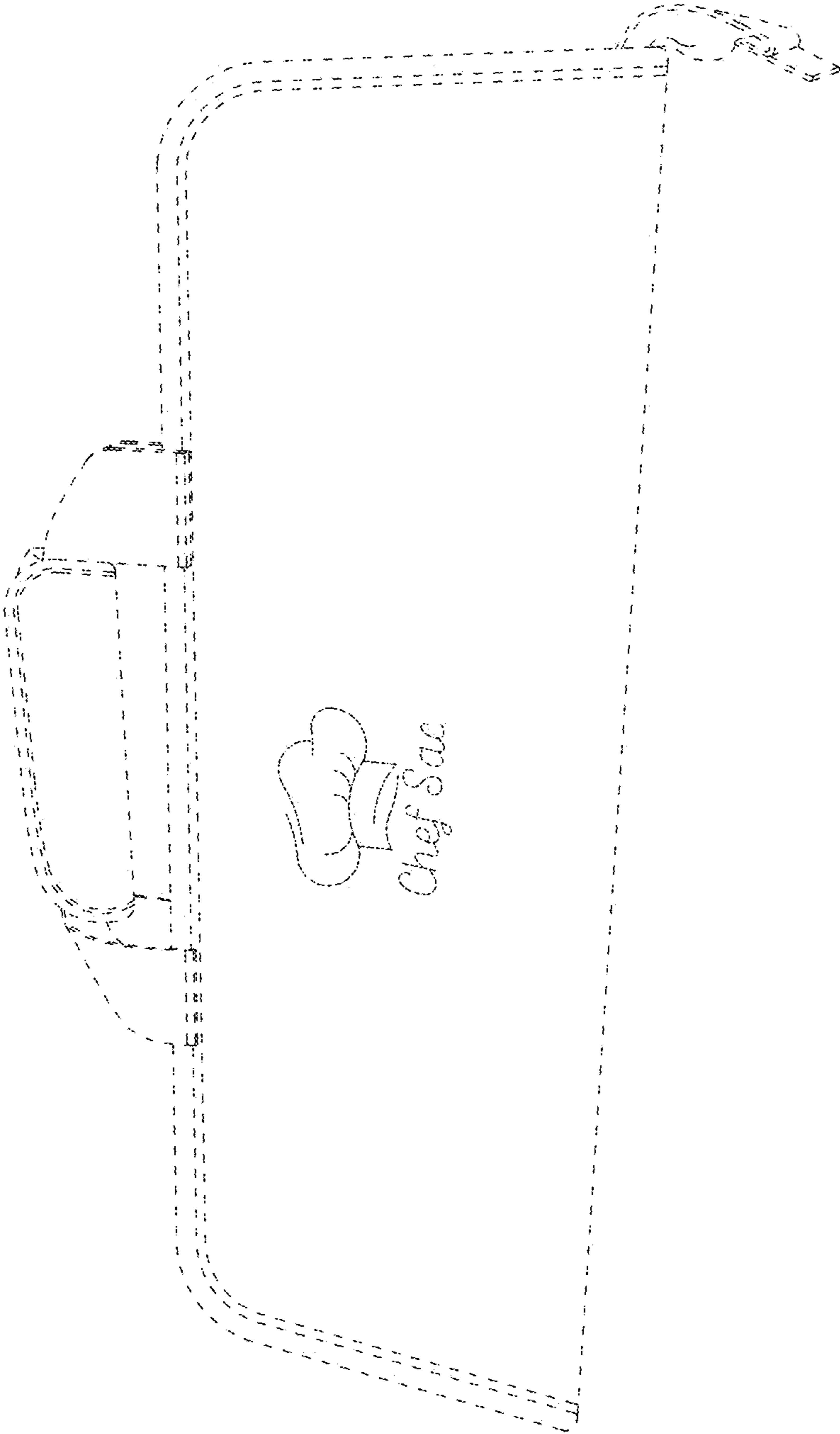


FIG. 1

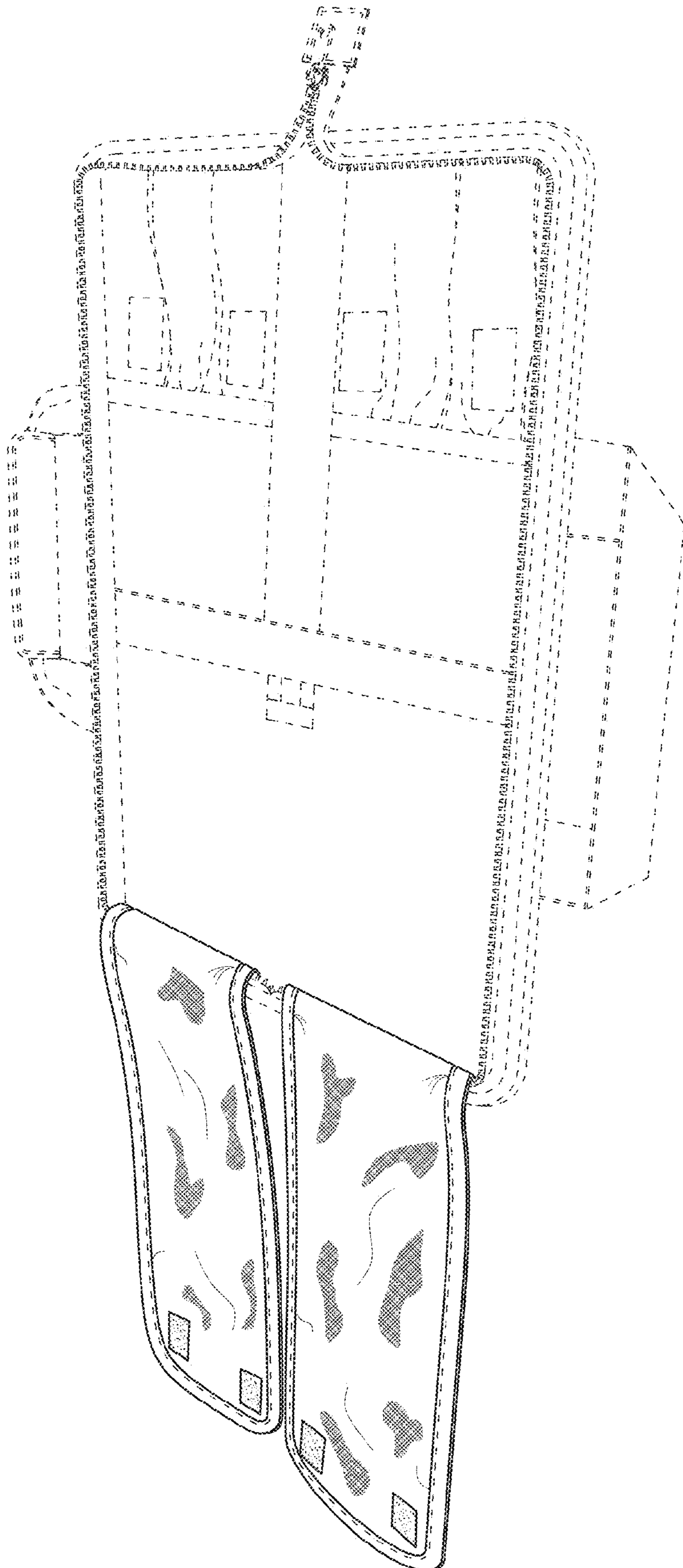
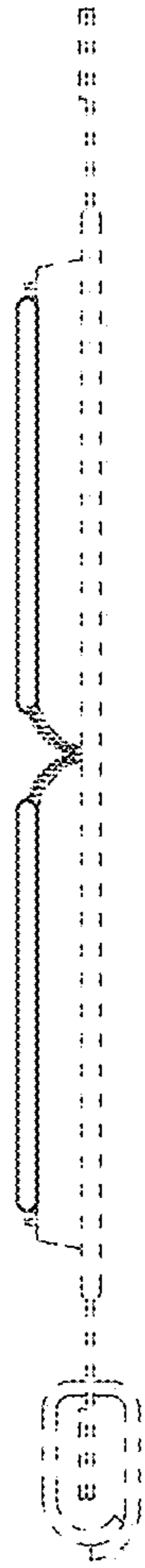


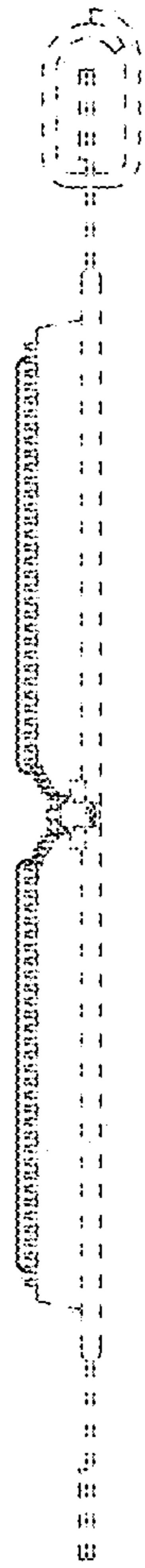
FIG. 2



Left View

FIG. 3





Right View

FIG. 4

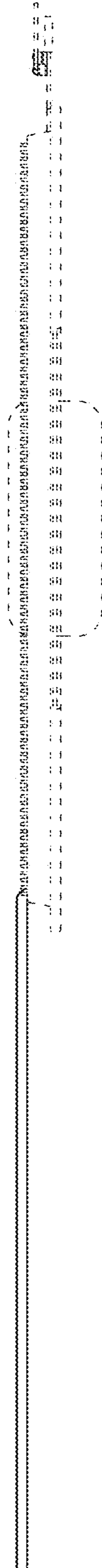


FIG. 5

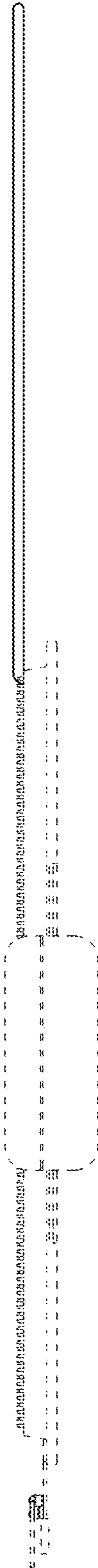


FIG. 6

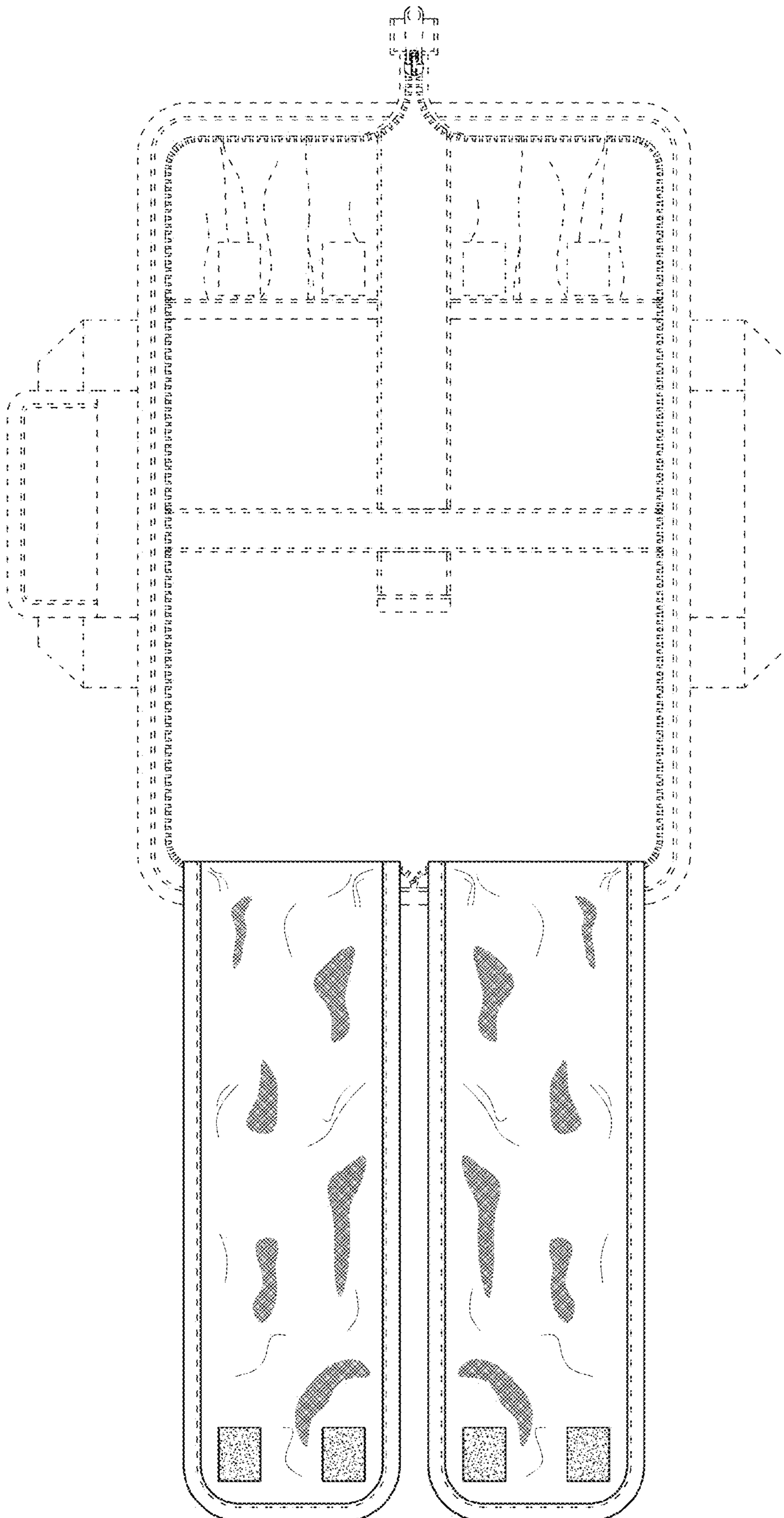


FIG. 7



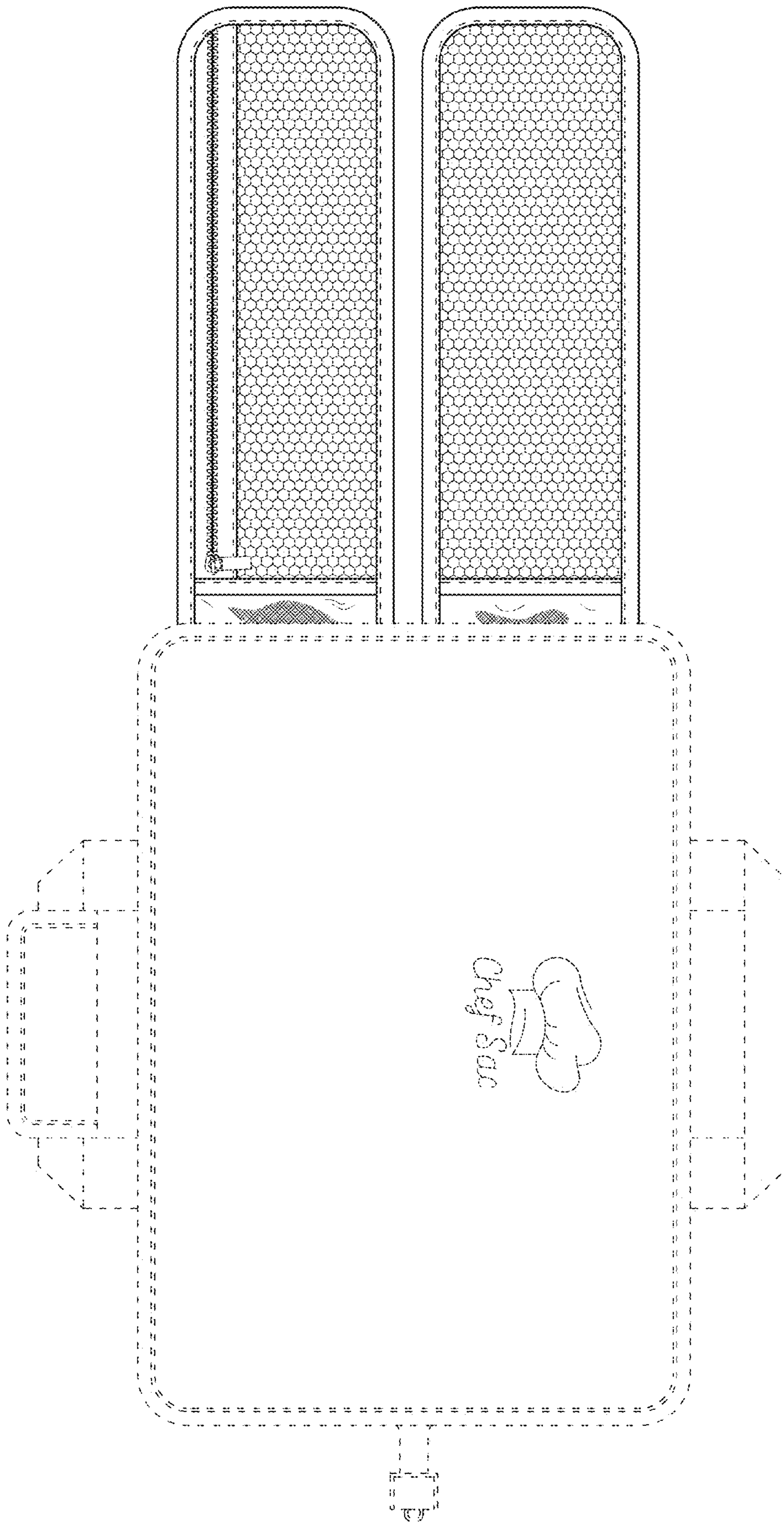


FIG. 8

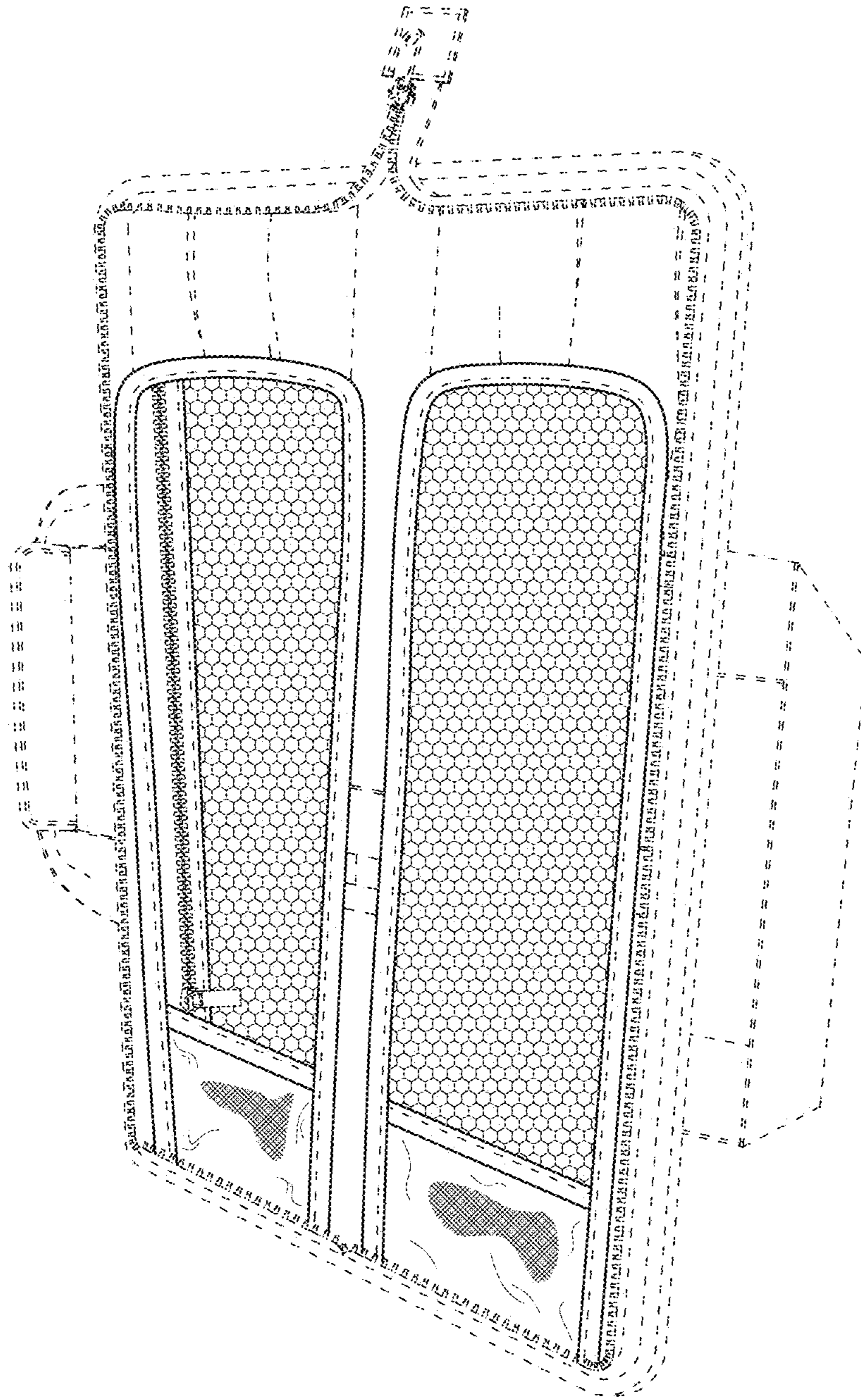


FIG. 9