



US00D977253S

(12) **United States Design Patent** (10) **Patent No.:** **US D977,253 S**  
**Chiu et al.** (45) **Date of Patent:** **\*\* Feb. 7, 2023**

(54) **TRAVEL BAG**

(71) Applicant: **10741841 CANADA INC.**, Toronto (CA)

(72) Inventors: **Keith Chiu**, Markham (CA); **Philip Lee**, Toronto (CA)

(73) Assignee: **10741841 CANADA INC.**, Toronto (CA)

(\*\*) Term: **15 Years**

(21) Appl. No.: **29/750,738**

(22) Filed: **Sep. 16, 2020**

(51) **LOC (14) Cl.** ..... **03-01**

(52) **U.S. Cl.**  
USPC ..... **D3/319; D3/284; D7/637**

(58) **Field of Classification Search**  
USPC ..... D3/217, 273, 276, 285, 283, 289, 293,  
D3/301, 303, 901, 902, 318, 319, 323,  
D3/324, 284; D7/637, 641  
CPC ..... A45C 9/00; A45F 4/06  
See application file for complete search history.

(56) **References Cited**

**U.S. PATENT DOCUMENTS**

D627,508 S	*	11/2010	Showers	.....	D27/185
D710,105 S	*	8/2014	Hondos	.....	D3/303
D711,106 S	*	8/2014	Davidson	.....	D3/303
D728,937 S	*	5/2015	Fridley	.....	D3/303
D755,522 S	*	5/2016	Rubio	.....	D3/318
D800,452 S	*	10/2017	Rosenbluth	.....	D3/301
D893,861 S	*	8/2020	Dyk	.....	D3/217
D893,862 S	*	8/2020	Dyk	.....	D3/217
D894,602 S	*	9/2020	Dyk	.....	D3/301

**OTHER PUBLICATIONS**

Amazon, "Ergo Chef Gear 5-Pocket Padded Chef's Knife Roll Bag . . .", First on sale Jan. 22, 2015. (<https://www.amazon.com/dp/B00SLVJ150>) (Year: 2015).\*

Amazon, "Messermeister 5-Pocket Heavy Duty Nylon Padded Knife Roll . . .", First on sale Sep. 25, 2012. (<https://www.amazon.com/dp/B009GKC9TU/>) (Year: 2012).\*

Amazon, Chef Knife Bag Travel Folder Knife Case . . . , First on sale Feb. 15, 2020. (<https://www.amazon.com/dp/B082WTL7VF>) (Year: 2020).\*

(Continued)

*Primary Examiner* — April Rivas

(74) *Attorney, Agent, or Firm* — Tatonetti IP

(57) **CLAIM**

I claim the ornamental design for a travel bag, as shown and described.

**DESCRIPTION**

FIG. 1 is a perspective view of the travel bag in a closed position, in which environmental features of the outer portion of the travel bag are shown;

FIG. 2 is a perspective view of the travel bag in an opened position with various environmental features;

FIG. 3 is a front side view thereof;

FIG. 4 is a rear side view thereof;

FIG. 5 is a right side view thereof;

FIG. 6 is a left side view thereof;

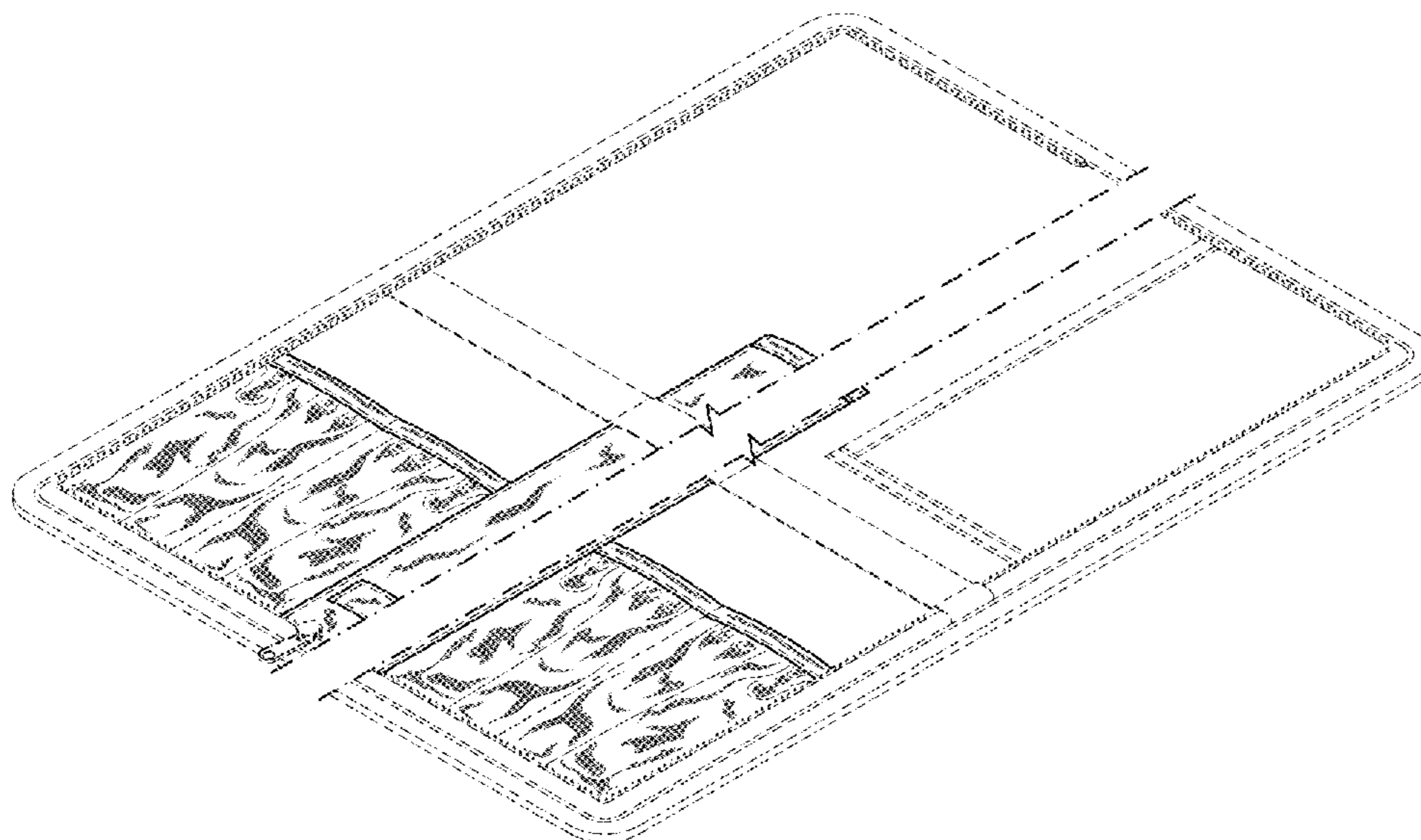
FIG. 7 is a top side view thereof; and,

FIG. 8 is a bottom side view thereof.

Broken lines, such as those representing other internal features and the outer portion of the travel bag as a whole, are for environmental purposes only and form no part of the claimed design. Any subject matter in between the dashed-dotted and jagged lines extending longitudinally across the travel bag and which are positioned adjacent to each other in a center area of the travel bag is not part of the claimed design.

The broken lines on the pouches shown in FIGS. 2 and 7 represent stitching and form part of the claimed design.

**1 Claim, 8 Drawing Sheets**



(56)

**References Cited**

OTHER PUBLICATIONS

Chef Sac, "Travel Must Have Chef Knife Bag", First reviewed Aug. 18, 2019. <https://www.chefsac.com/collections/roll-bag/products/chef-knife-travel-bag-case#> (Year: 2019).\*

Amazon, "Tosnail Chef Knife Case Roll Bag . . . ", First on sale Nov. 1, 2019. <https://www.amazon.com/Tosnail-Knife-Slots-Handle-Shoulder/dp/B07ZVJ7D5F> (Year: 2019).\*

\* cited by examiner

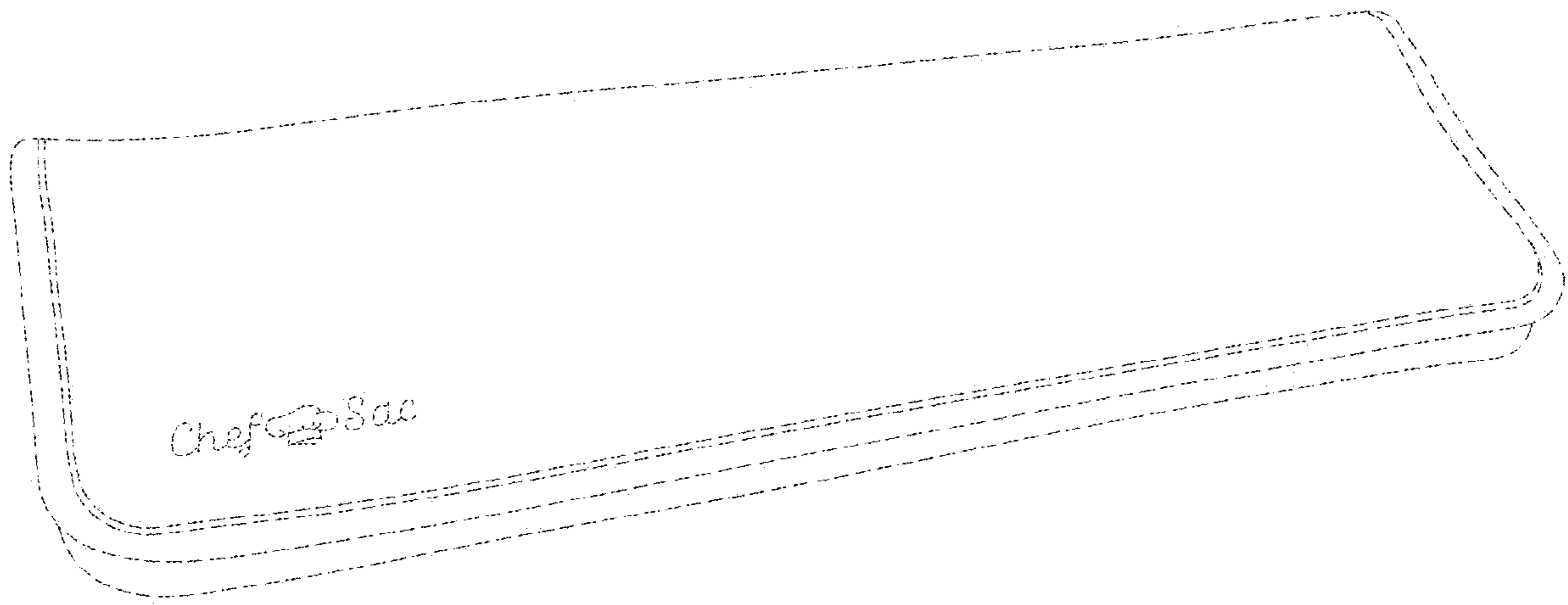


FIG. 1

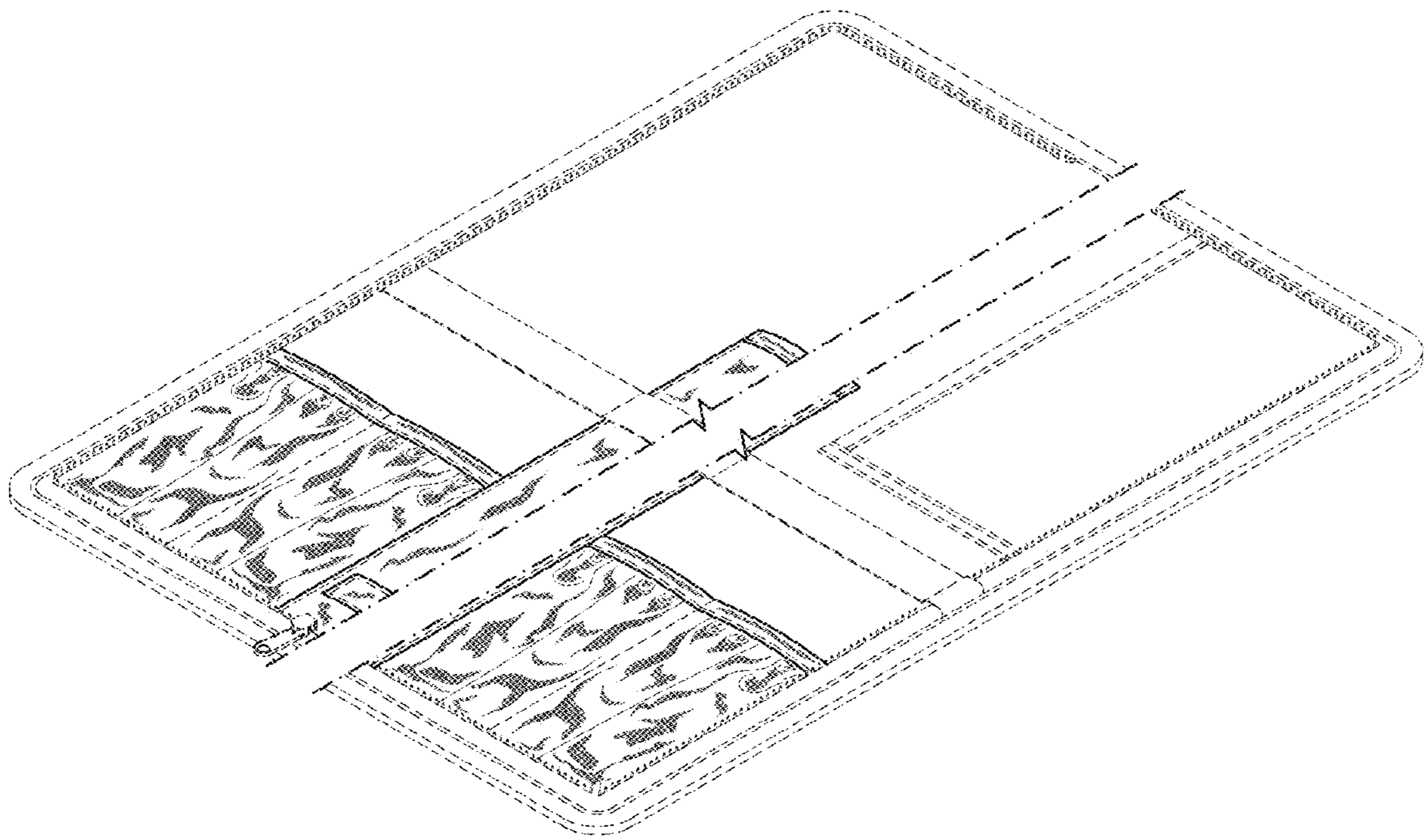


FIG. 2

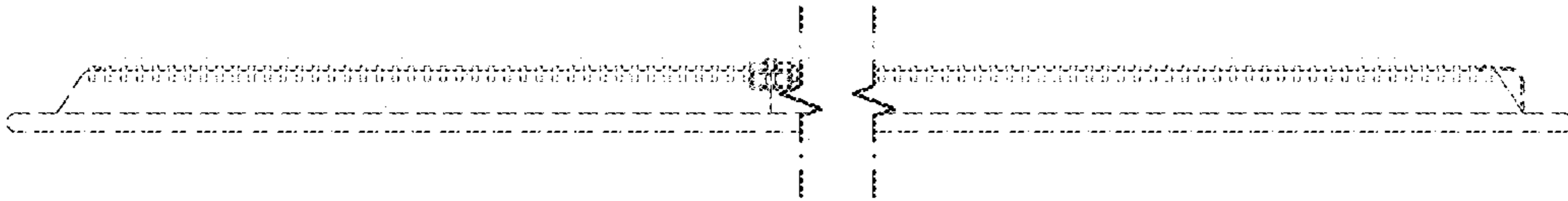


FIG. 3

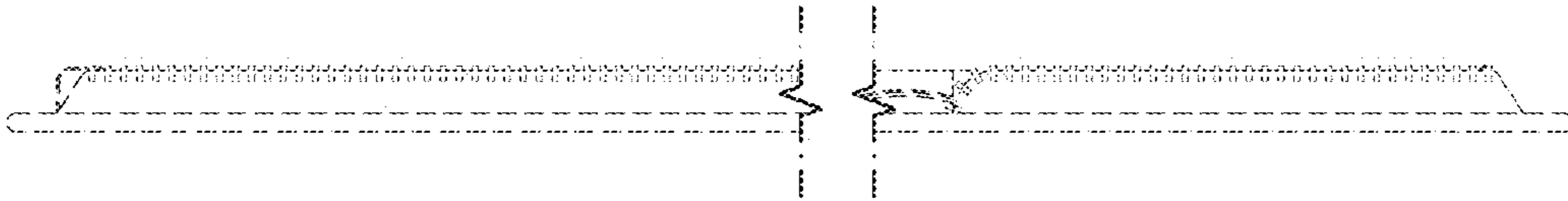


FIG. 4



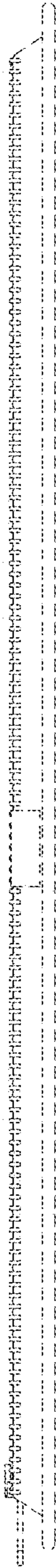


FIG. 5

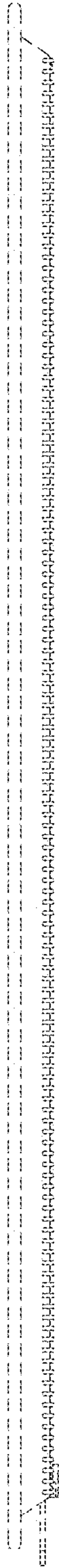


FIG. 6



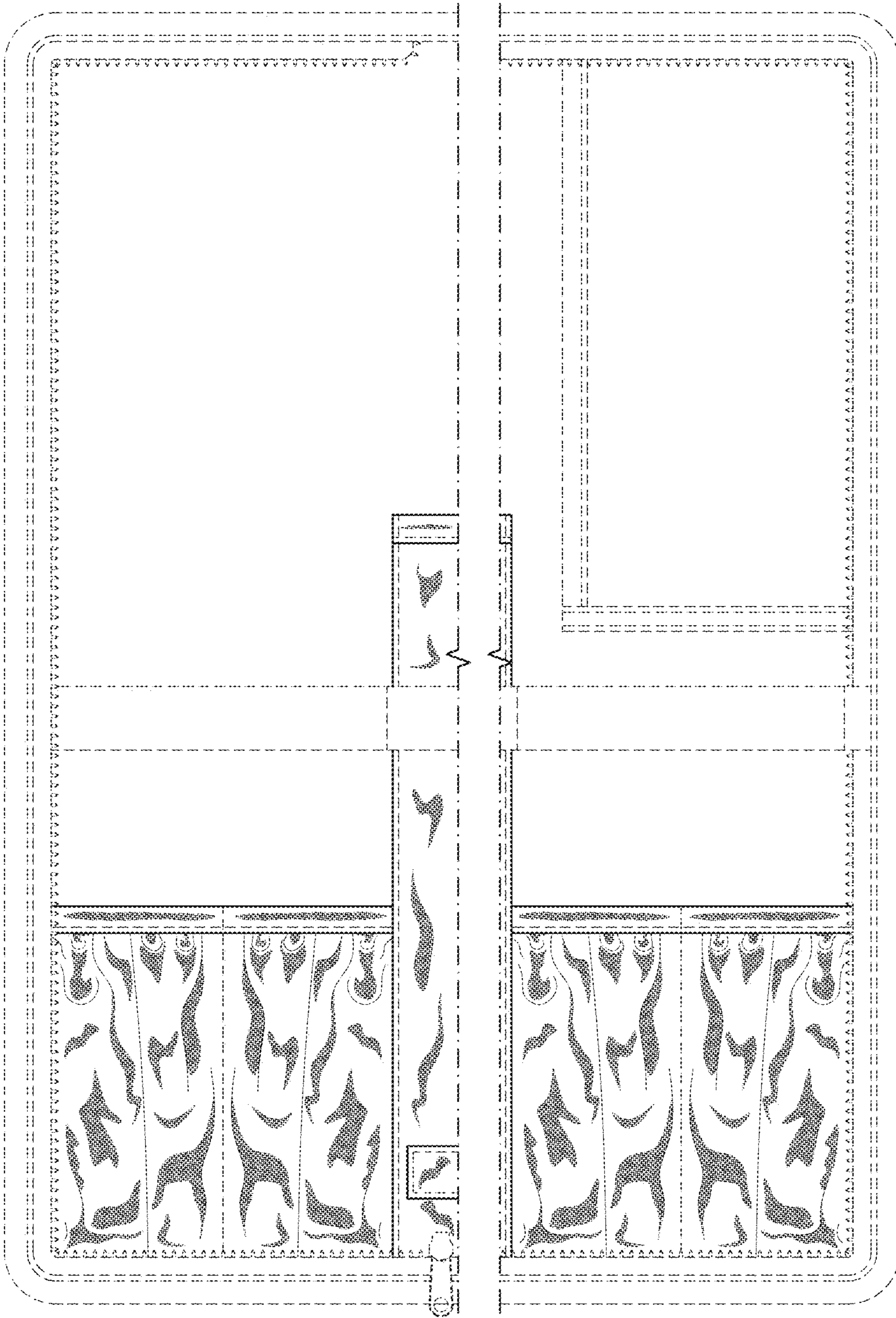


FIG. 7

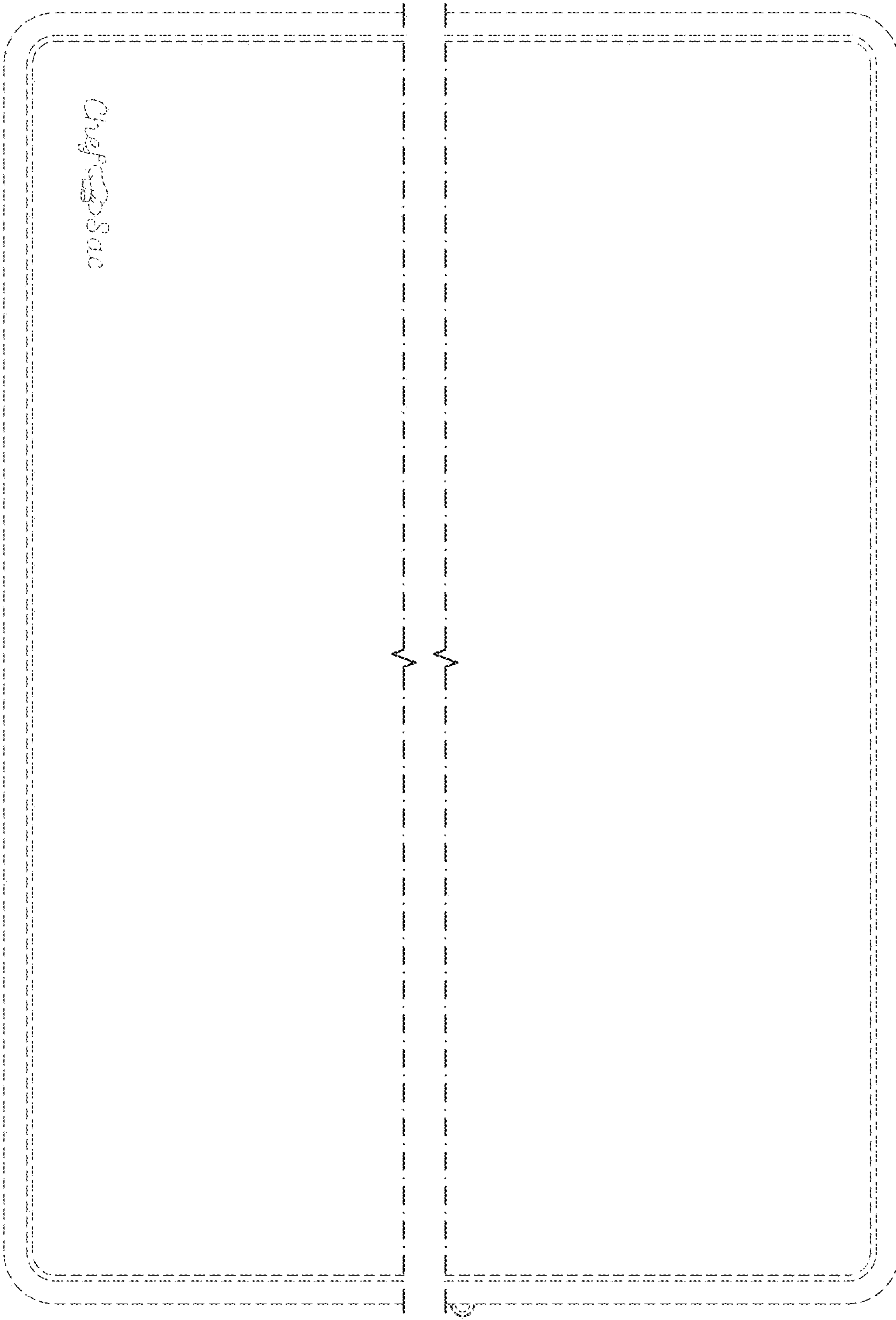


FIG. 8