



US00D977252S

(12) **United States Design Patent** (10) **Patent No.:** **US D977,252 S**  
**Chen** (45) **Date of Patent:** **\*\* Feb. 7, 2023**

(54) **CASE FOR A TOOL BOX**

FOREIGN PATENT DOCUMENTS

(71) Applicant: **Pei Lin Chen**, Taichung (TW)

CN 302860636 \* 7/2014  
CN 304321469 \* 10/2017

(72) Inventor: **Pei Lin Chen**, Taichung (TW)

(Continued)

(\*\*) Term: **15 Years**

OTHER PUBLICATIONS

(21) Appl. No.: **29/710,910**

SKB iSeries 1006-3 Waterproof Utility Case, available at bhphotovideo.com, earliest customer review date Mar. 5, 2017 [online], site visited Feb. 18, 2022, available from the internet URL: [https://www.bhphotovideo.com/c/product/1117880-REG/skb\\_3i\\_1006\\_3b\\_c\\_iseries\\_waterproof\\_utility\\_case.html](https://www.bhphotovideo.com/c/product/1117880-REG/skb_3i_1006_3b_c_iseries_waterproof_utility_case.html) (Year: 2017).\*

(22) Filed: **Oct. 28, 2019**

(Continued)

(30) **Foreign Application Priority Data**

May 9, 2019 (TW) ..... 108302643

(51) **LOC (14) Cl.** ..... **03-01**

(52) **U.S. Cl.**  
USPC ..... **D3/318**

(58) **Field of Classification Search**  
USPC ..... D3/294–299, 318, 905; D6/663, 664, D6/667, 670; D7/601, 602, 609, 619.1, D7/631–633, 635, 637, 638; D9/414, D9/420–423, 434, 435, 499, 700, 701  
CPC ..... B25H 3/00; B25H 3/003; B25H 3/006; B25H 3/02; B25H 3/021; B25H 3/022; B25H 3/023; B25H 3/025; B25H 3/026; B25H 3/027; B25H 3/028; B25H 3/04; B25H 3/06; B25H 5/00

See application file for complete search history.

*Primary Examiner* — Messina L Smith

*Assistant Examiner* — Jillian Mazzola

(74) *Attorney, Agent, or Firm* — Alan D. Kamrath; Karin L. Williams; Mayer & Williams PC

(57) **CLAIM**

The ornamental design for a case for a tool box, as shown and described.

**DESCRIPTION**

FIG. 1 is a perspective view of a case for a tool box showing my new design;

FIG. 2 is a front view thereof;

FIG. 3 is a rear view thereof;

FIG. 4 is a left view thereof;

FIG. 5 is a right view thereof;

FIG. 6 is a top view thereof;

FIG. 7 is a bottom view thereof; and,

FIG. 8 is a perspective view of the case for a tool box shown in a state of use on a tool box.

The broken lines showing of a tool box in FIG. 8 depict environmental structure and form no part of the claimed design. All other broken lines depict portions of the case for a tool box that form no part of the claimed design.

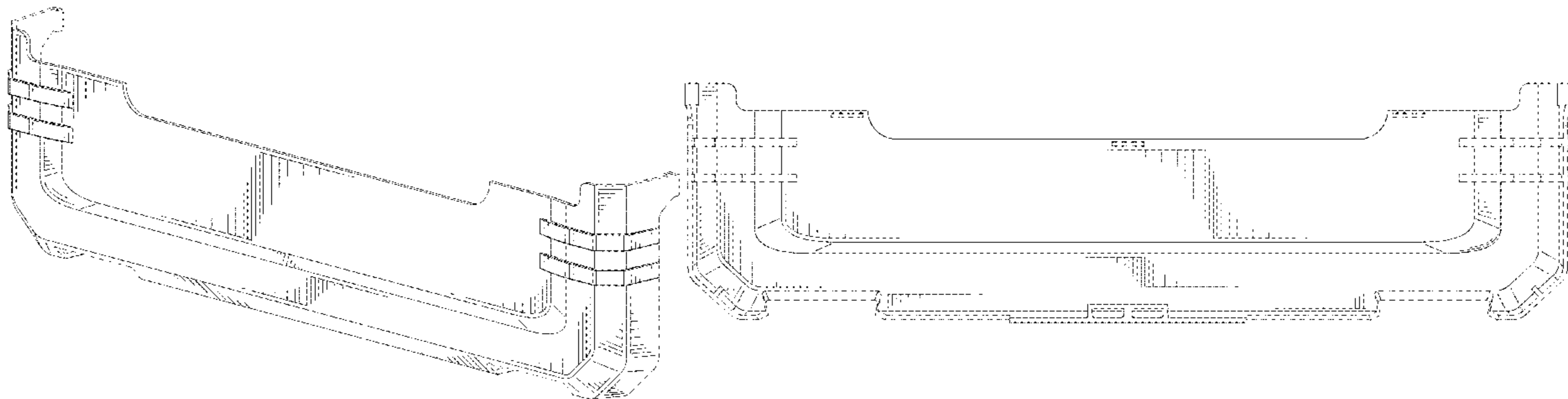
(56) **References Cited**

U.S. PATENT DOCUMENTS

D318,947 S \* 8/1991 Williams ..... D3/315  
D339,471 S \* 9/1993 Maple ..... D3/323  
D464,196 S \* 10/2002 Parker ..... D3/273  
D465,330 S \* 11/2002 Parker ..... D3/273  
D484,682 S \* 1/2004 Sylvan ..... D3/273  
D487,970 S \* 4/2004 Meier ..... D3/276  
D514,808 S \* 2/2006 Morine ..... D3/273  
D587,013 S \* 2/2009 Hand ..... D6/705.5

(Continued)

**1 Claim, 8 Drawing Sheets**



(56)

References Cited

U.S. PATENT DOCUMENTS

D668,455 S 10/2012 Chang  
 D747,607 S \* 1/2016 Serell ..... D3/203.1  
 D754,436 S \* 4/2016 Ou ..... D3/905  
 D756,626 S \* 5/2016 Tollesbol ..... D3/201  
 D798,053 S \* 9/2017 Shitrit ..... D3/276  
 D811,084 S \* 2/2018 Ballou ..... D3/276  
 D823,065 S \* 7/2018 Eichinger ..... D7/605  
 D823,066 S \* 7/2018 Eichinger ..... D7/605  
 D838,987 S \* 1/2019 Lai ..... D3/319  
 D858,994 S \* 9/2019 Chang ..... D3/273  
 D873,013 S \* 1/2020 Austin ..... D3/905  
 D874,823 S \* 2/2020 Christen ..... D3/905  
 D877,153 S \* 3/2020 Peng ..... D14/440  
 D877,509 S \* 3/2020 Kilkenny ..... D14/440  
 D877,510 S \* 3/2020 Christen ..... D3/905  
 D886,445 S \* 6/2020 Hyun ..... D3/273  
 D889,819 S \* 7/2020 Feng ..... D14/447  
 D894,587 S \* 9/2020 Sun ..... D3/201  
 D899,087 S \* 10/2020 Kuhls ..... D3/294  
 D904,765 S \* 12/2020 Hyun ..... D13/103  
 D907,468 S \* 1/2021 Banuls Tobaruela ..... D8/356  
 D911,711 S \* 3/2021 Feng ..... D3/294  
 D912,390 S \* 3/2021 Hyun ..... D3/273  
 D923,938 S \* 7/2021 Austin ..... D3/315  
 D924,329 S \* 7/2021 Adams ..... D20/8  
 D924,330 S \* 7/2021 Adams ..... D20/8  
 D925,219 S \* 7/2021 Eskridge ..... D3/282  
 D930,359 S \* 9/2021 Dauchin ..... D3/276  
 D935,180 S \* 11/2021 Zhang ..... D14/440

D941,023 S \* 1/2022 Lee ..... D3/218  
 2019/0225371 A1 \* 7/2019 Hoppe ..... B65D 21/0216  
 2020/0093236 A1 \* 3/2020 Armstrong ..... A45C 11/00

FOREIGN PATENT DOCUMENTS

EM 007432448-0004 \* 1/2020  
 JP D1107198 \* 4/2001  
 KR 300230580.0000 \* 12/1998  
 KR 300806267 7/2015  
 TW 344638 11/1998  
 TW D145442 2/2012  
 TW D149570 10/2012  
 TW D188786 3/2018

OTHER PUBLICATIONS

Gator G-Pro-4U-19 Pro Series Rack Case, available at sweetwater.com, earliest customer review date Jun. 6, 2009 [online], site visited Feb. 18, 2022, available from the internet URL: <https://www.sweetwater.com/store/detail/GPro4-gator-g-pro-4u-19-pro-series-rack-case?> (Year: 2009).\*

5.8 in. Watertight Tool Case in Black, available at homedepot.com, date not available [online], site visited Feb. 18, 2022, available from the internet URL: <https://www.homedepot.com/p/5-8-in-Watertight-Tool-Case-in-Black-56-BK/303725251?> (Year: 2022).\*

InfoCase Rugged Shell Case, available at infocase.com, flyer dated Mar. 16, 2021 [online], site visited Feb. 18, 2022, available from the internet URL: [https://www.infocase.com/Webpages/Education/Lenovo/UZBL\\_Lenovo\\_03-16-2021.pdf](https://www.infocase.com/Webpages/Education/Lenovo/UZBL_Lenovo_03-16-2021.pdf) (Year: 2021).\*

\* cited by examiner

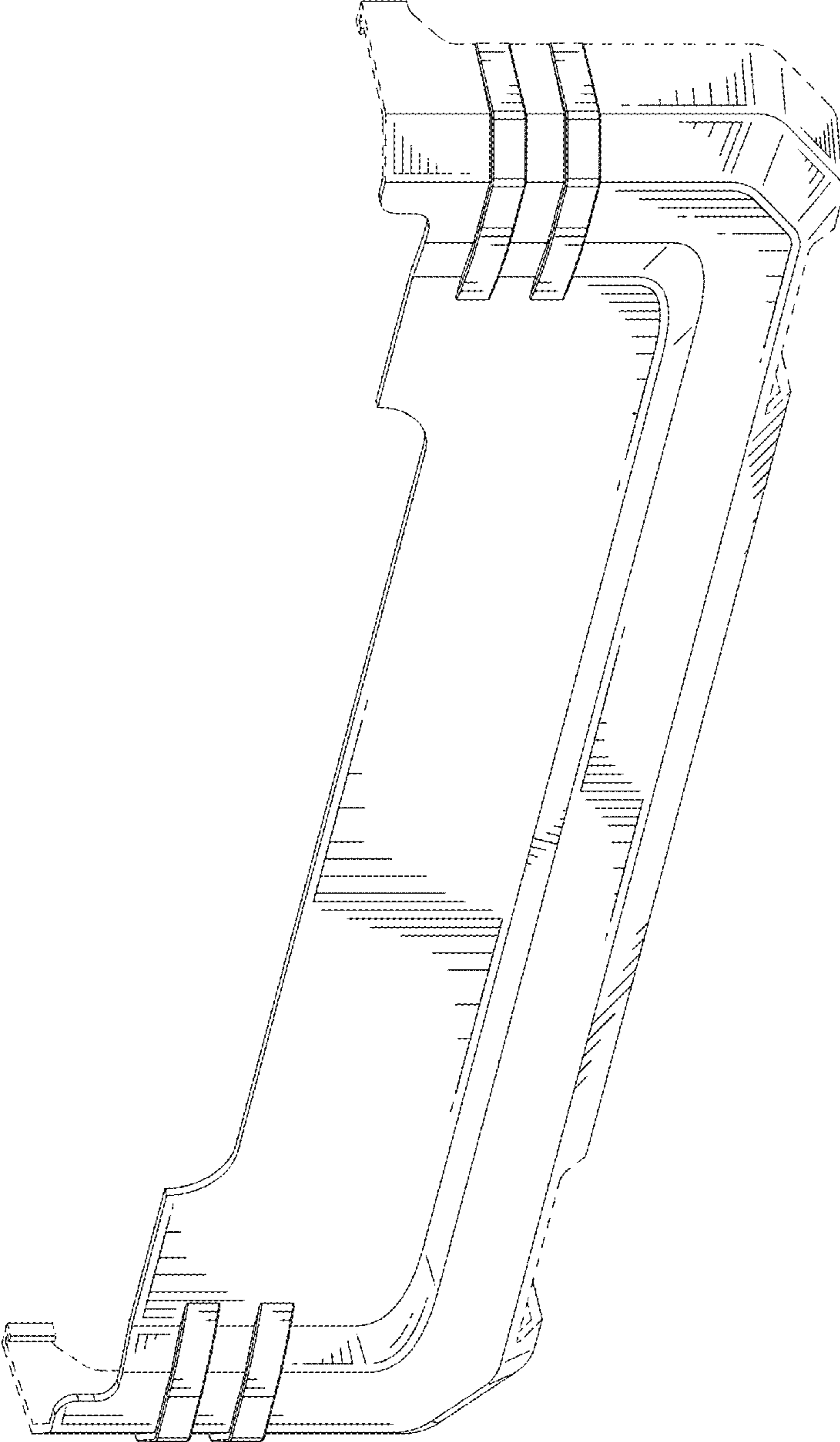


FIG.1

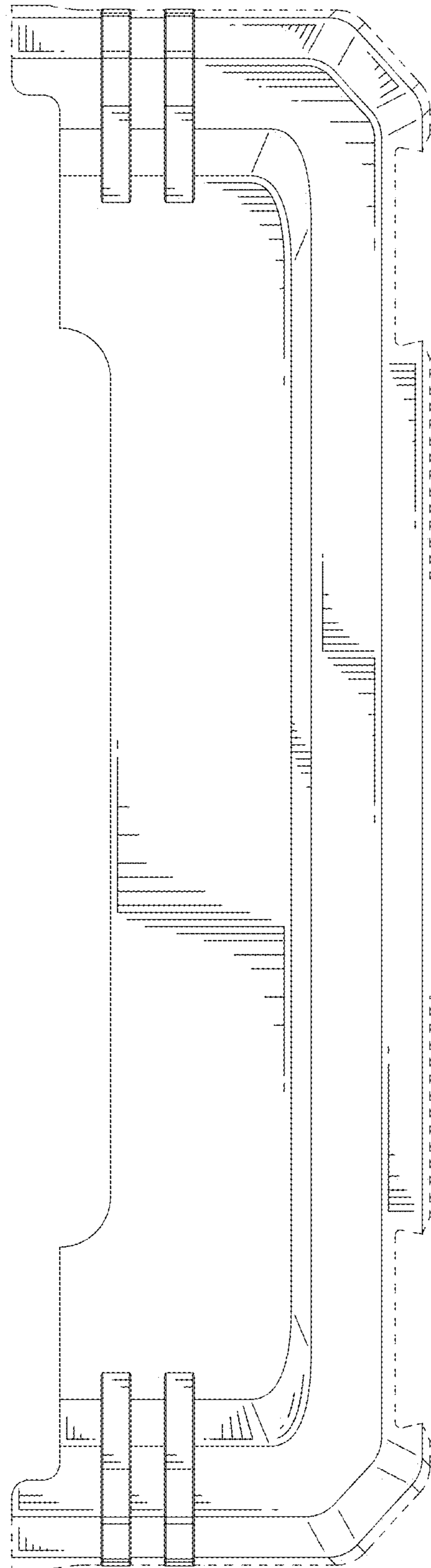


FIG.2

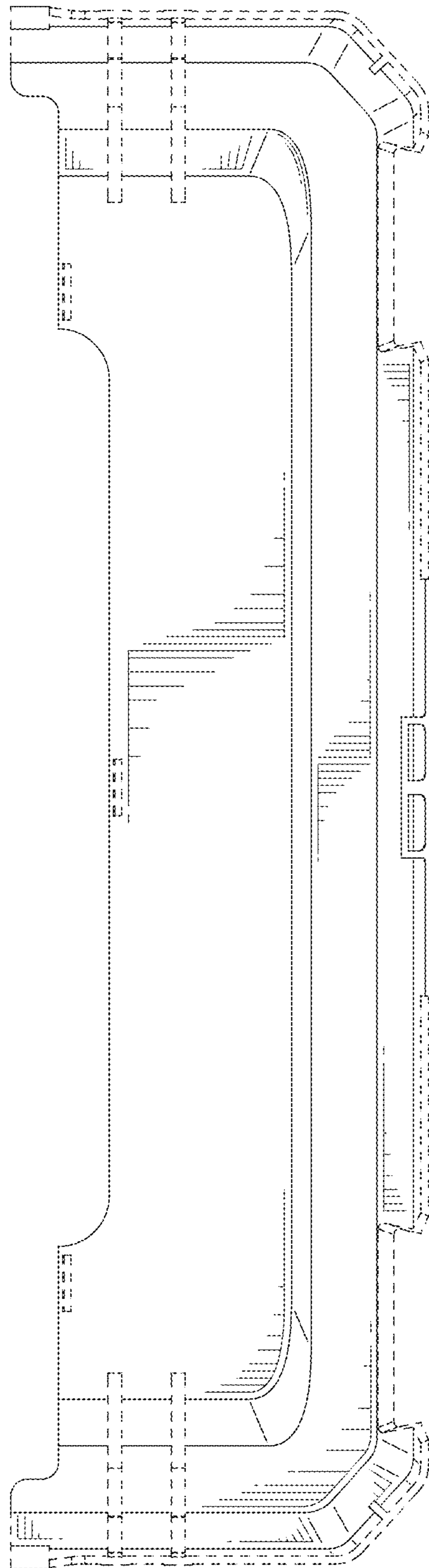


FIG.3

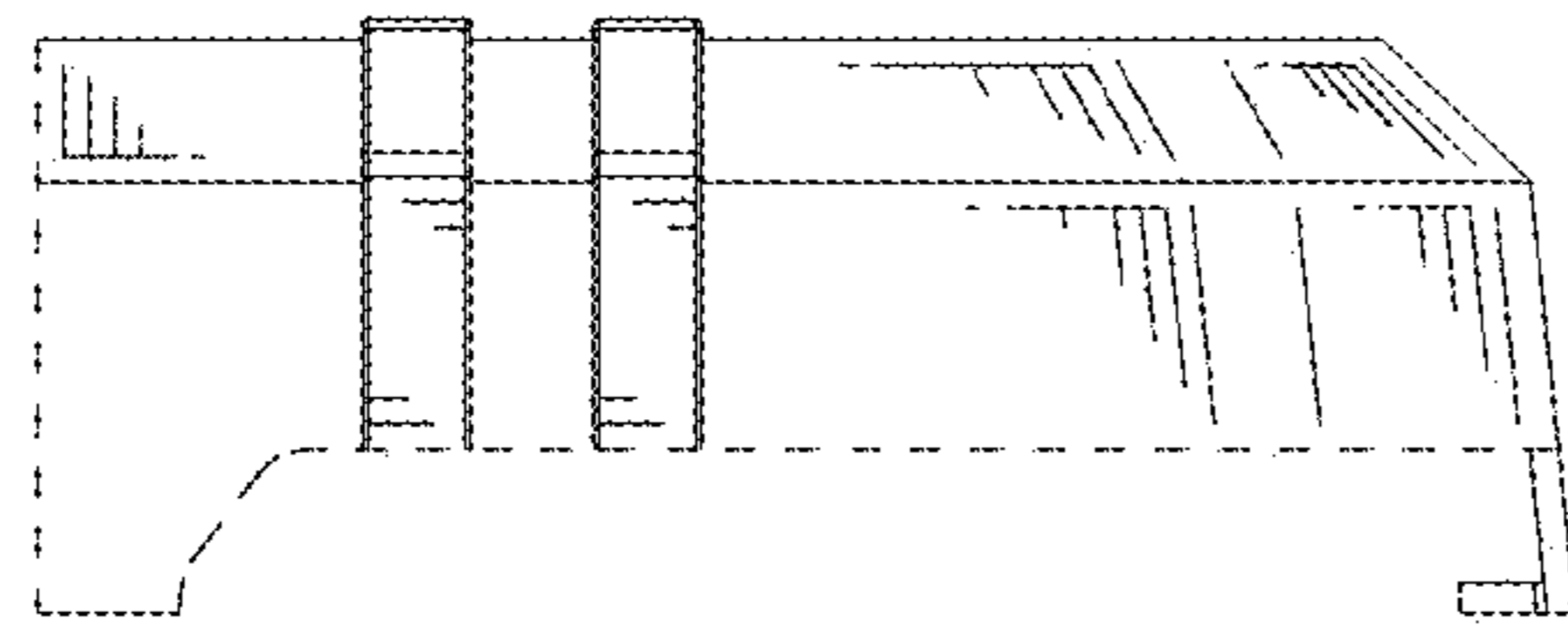


FIG.4

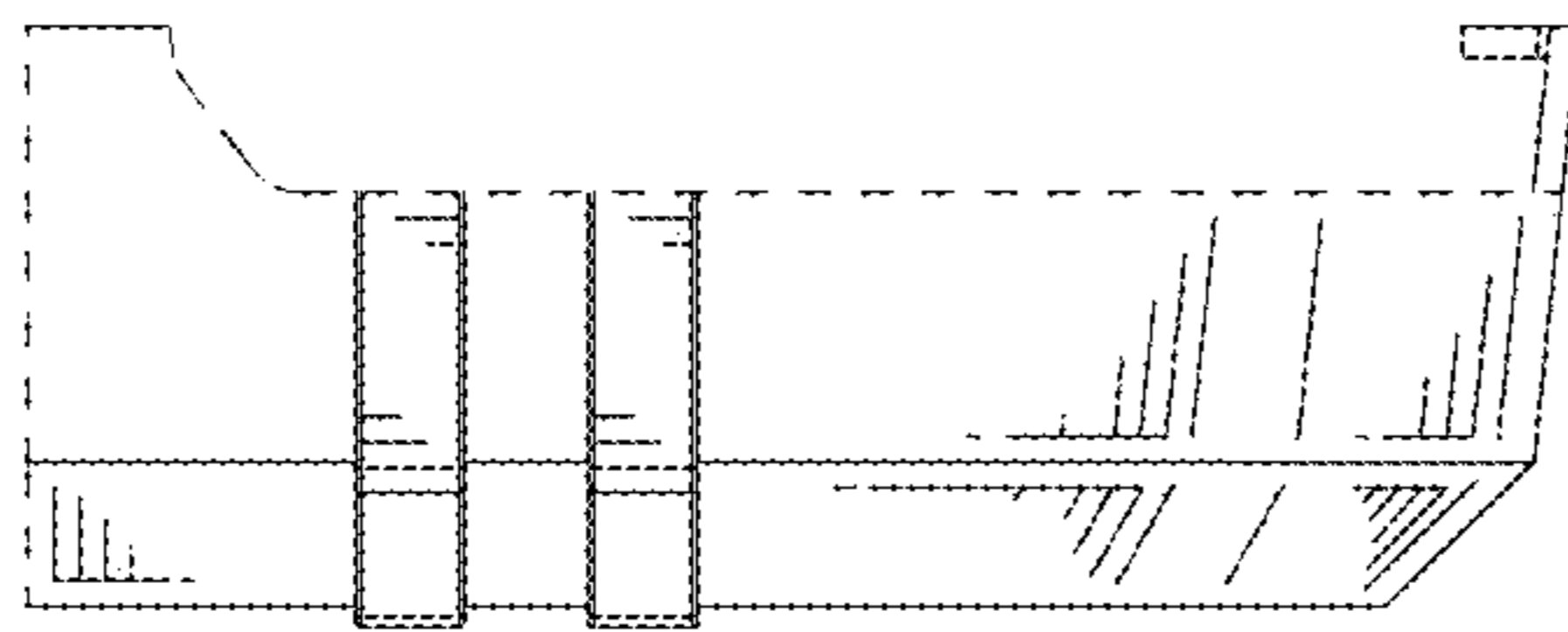


FIG.5

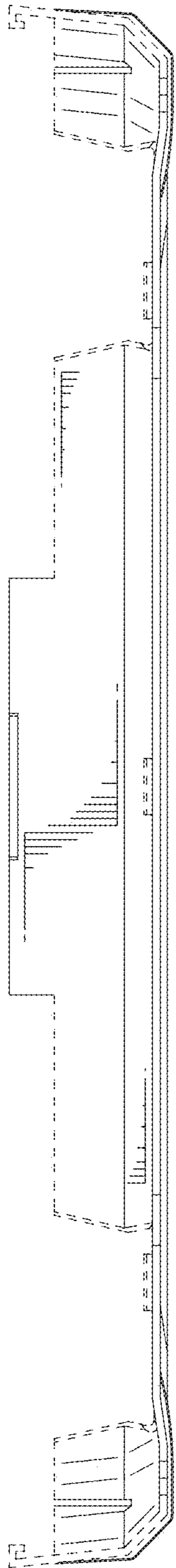


FIG.6



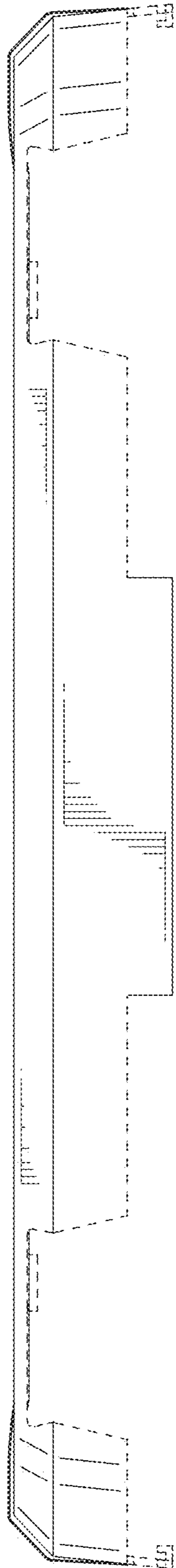


FIG. 7

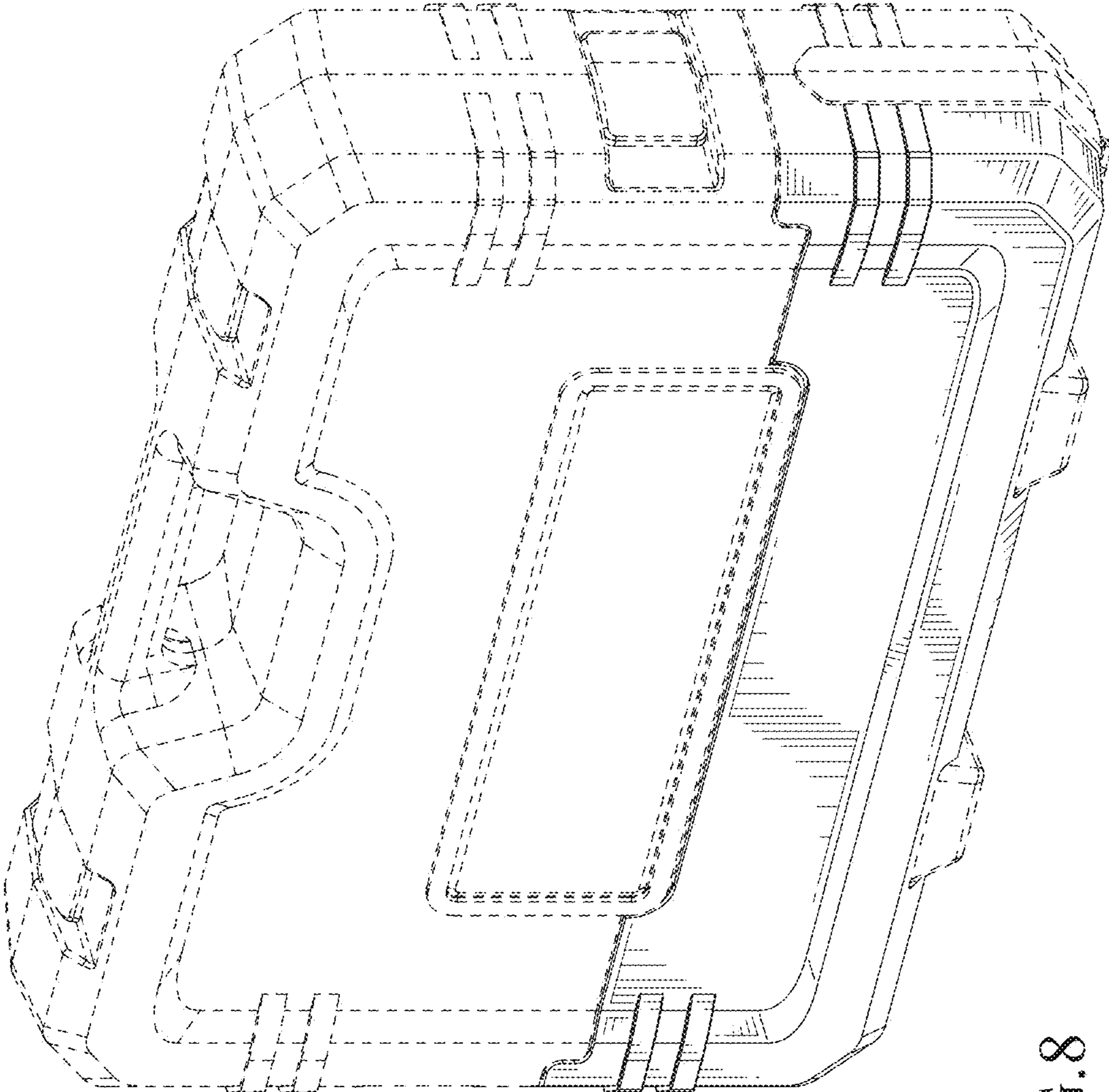


FIG.8