



US00D977251S

(12) **United States Design Patent** (10) **Patent No.:** **US D977,251 S**
Dittrich et al. (45) **Date of Patent:** **** *Feb. 7, 2023**

- (54) **ORGANIZER**
- (71) Applicant: **Spectrum Diversified Designs, LLC**, Streetsboro, OH (US)
- (72) Inventors: **Megan Leigh Dittrich**, Twinsburg, OH (US); **Jonathan Ostojic**, Seattle, WA (US); **Matthew Frank**, Seattle, WA (US)
- (73) Assignee: **Spectrum Diversified Designs, LLC**, Streetsboro, OH (US)
- (*) Notice: This patent is subject to a terminal disclaimer.
- (**) Term: **15 Years**
- (21) Appl. No.: **29/782,115**
- (22) Filed: **May 4, 2021**

D245,170 S	7/1977	Evenson	
D362,572 S	9/1995	Joseph, Jr.	
D372,395 S	8/1996	Candianides	
D377,028 S	12/1996	Monday	
D389,152 S	1/1998	Kurihara	
D402,436 S	12/1998	Cawley et al.	
5,957,604 A	9/1999	Anderson	
D434,074 S *	11/2000	Hardy D19/78
D453,880 S	2/2002	Cheyne	

(Continued)

FOREIGN PATENT DOCUMENTS

CN	305908732	*	7/2020	
DE	10206516 A1	*	3/2001 B42F 7/10

OTHER PUBLICATIONS

Amazon. Link: https://www.amazon.com/Officemate-Unbreakable-Capacity-Trays-21072/dp/B002MCZA5E/ref=sr_1_1?keywords=B002MCZA5E&qid=1664276745&qu=eyJxc2MiOilwLjAwliwicXNhljoiMC4wMCIslnFzcCI6ljAuMDAifQ%3D%3D&sr=8-1. Aug. 17, 2009. Officemate Unbreakable High Capacity Trays, Set of 2. (Year: 2009).*

Primary Examiner — Lauren D McVey
(74) *Attorney, Agent, or Firm* — Tucker Ellis LLP

(57) **CLAIM**

The ornamental design for an organizer, as shown and described.

DESCRIPTION

FIG. 1 is a perspective view of an organizer showing our new design.
FIG. 2 is a front view thereof.
FIG. 3 is a rear view thereof.
FIG. 4 is a right side view thereof.
FIG. 5 is a left side view thereof.
FIG. 6 is a top view thereof; and,
FIG. 7 is a bottom view thereof.

1 Claim, 4 Drawing Sheets

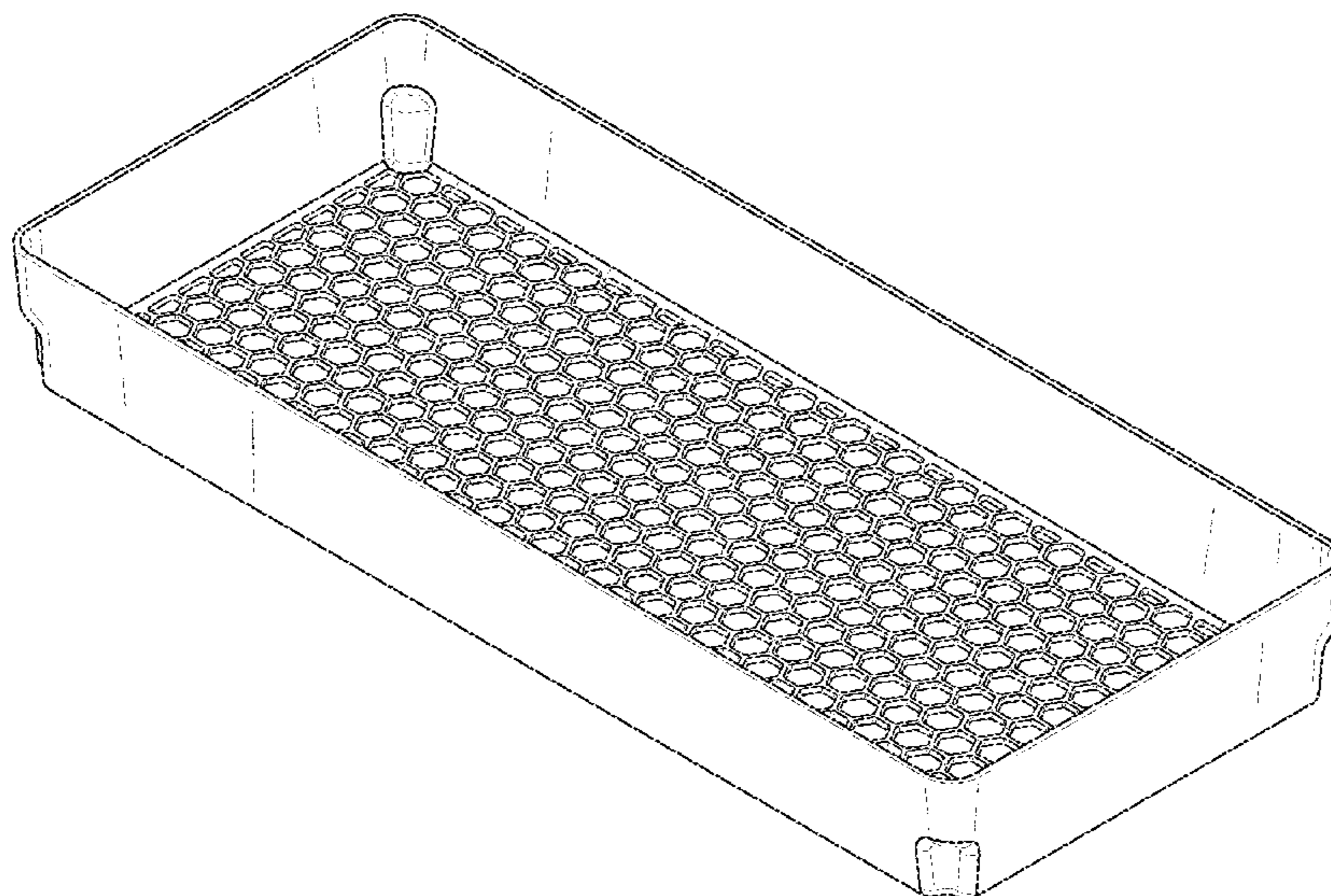
Related U.S. Application Data

- (63) Continuation of application No. 29/746,725, filed on Aug. 17, 2020, now Pat. No. Des. 922,073, which is a continuation of application No. 29/684,289, filed on Mar. 20, 2019, now Pat. No. Des. 896,890.
- (51) **LOC (14) Cl.** **03-01**
- (52) **U.S. Cl.**
USPC **D3/314**; D19/75
- (58) **Field of Classification Search**
USPC D19/105, 107, 75, 77, 78, 81, 84, 85, 86, D19/90, 91, 92; D3/304, 306, 307, 308, D3/313, 314; D6/574, 675, 675.1, 675.2, D6/683, 683.1; D7/704
CPC B42F 17/02; A47B 47/04; A47B 63/00; B43M 99/00; B43M 99/001; B43M 99/008; B43M 99/009
See application file for complete search history.

(56) **References Cited**

U.S. PATENT DOCUMENTS

3,387,077 A	6/1968	Sammons et al.
D227,004 S	5/1973	Roy et al.
3,908,597 A	9/1975	Taylor



(56)

References Cited

U.S. PATENT DOCUMENTS

6,446,289 B1	9/2002	Su et al.	D754,106 S	4/2016	Wise et al.
D463,745 S	10/2002	Hausen	D766,647 S	9/2016	Calkins
D479,271 S	9/2003	Gaska et al.	D783,284 S	4/2017	Hecht et al.
D547,064 S	7/2007	Snell	D791,717 S	7/2017	Uusitalo et al.
D551,453 S	9/2007	Snell	D802,159 S	11/2017	Fawdington et al.
D555,904 S	11/2007	Snell	D803,789 S	11/2017	Levesque et al.
D578,633 S	10/2008	Schluter et al.	D806,082 S	12/2017	Armstrong et al.
D597,052 S	7/2009	Kim et al.	D808,827 S	1/2018	Witt et al.
D662,355 S	6/2012	Tyson et al.	D814,053 S	3/2018	Darrow et al.
D682,012 S	5/2013	Lin	D816,492 S	5/2018	Reinhart
D685,358 S	7/2013	Armstrong et al.	D819,334 S	6/2018	Chang
8,783,462 B2	7/2014	Sugimoto et al.	D832,269 S	10/2018	Cheng
D712,148 S	9/2014	Ghiorgie	D844,621 S	4/2019	Chen
D721,686 S	1/2015	Jacob et al.	D845,031 S	4/2019	Huang
D729,550 S	5/2015	Williams et al.	D851,648 S	6/2019	Tan
D733,322 S	6/2015	Walczak et al.	10,420,419 B2	9/2019	Kasravi
D733,696 S	7/2015	Burgett et al.	D861,665 S	10/2019	Li
D742,869 S	11/2015	Odhwani et al.	D868,071 S	11/2019	Liu
D747,066 S	1/2016	Roetheli	D868,789 S	12/2019	Weng
			D912,794 S	3/2021	Brown et al.
			2009/0200324 A1	8/2009	Geelen
			2019/0275714 A1	9/2019	Kanoh

* cited by examiner

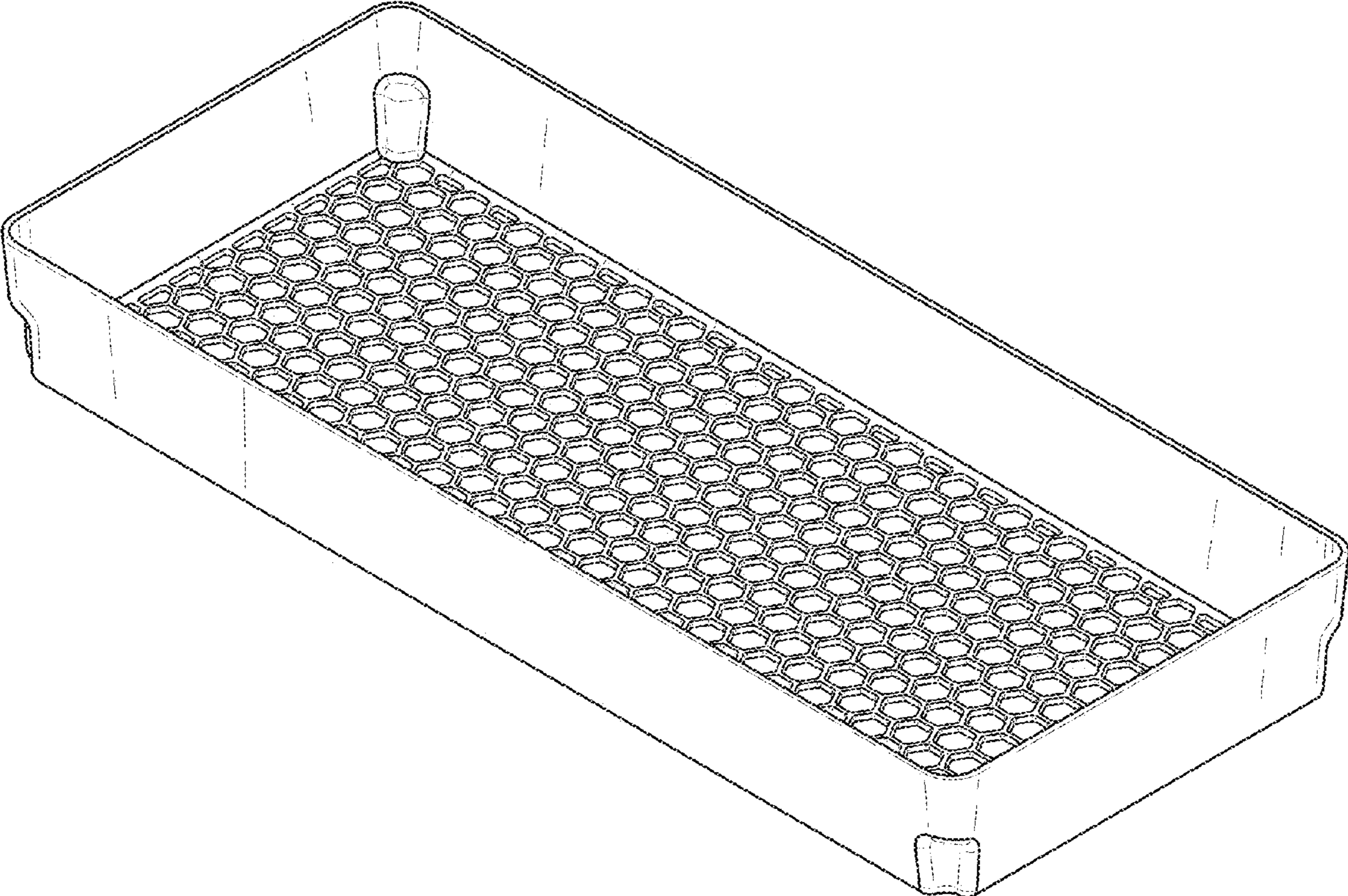


FIG. 1



FIG. 2

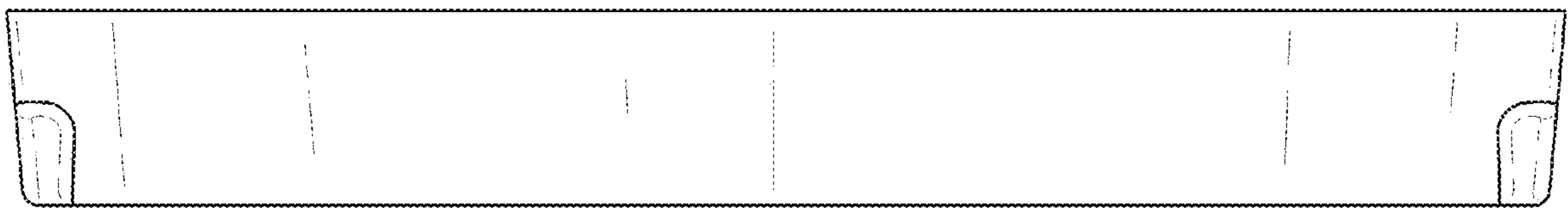


FIG. 3

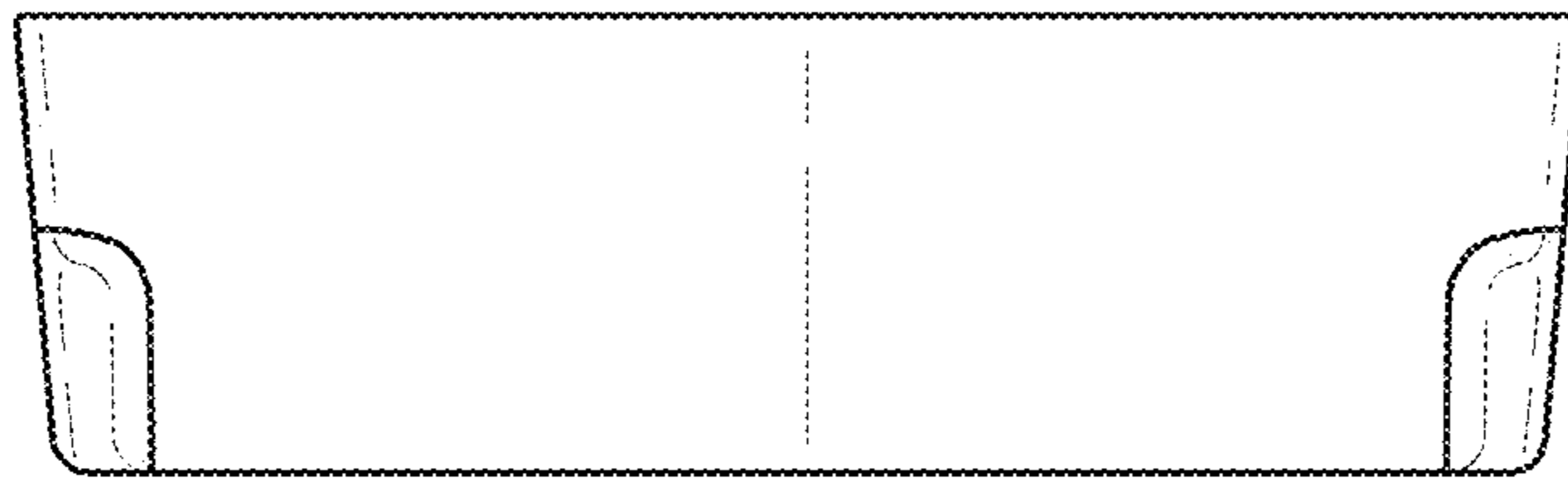


FIG. 4

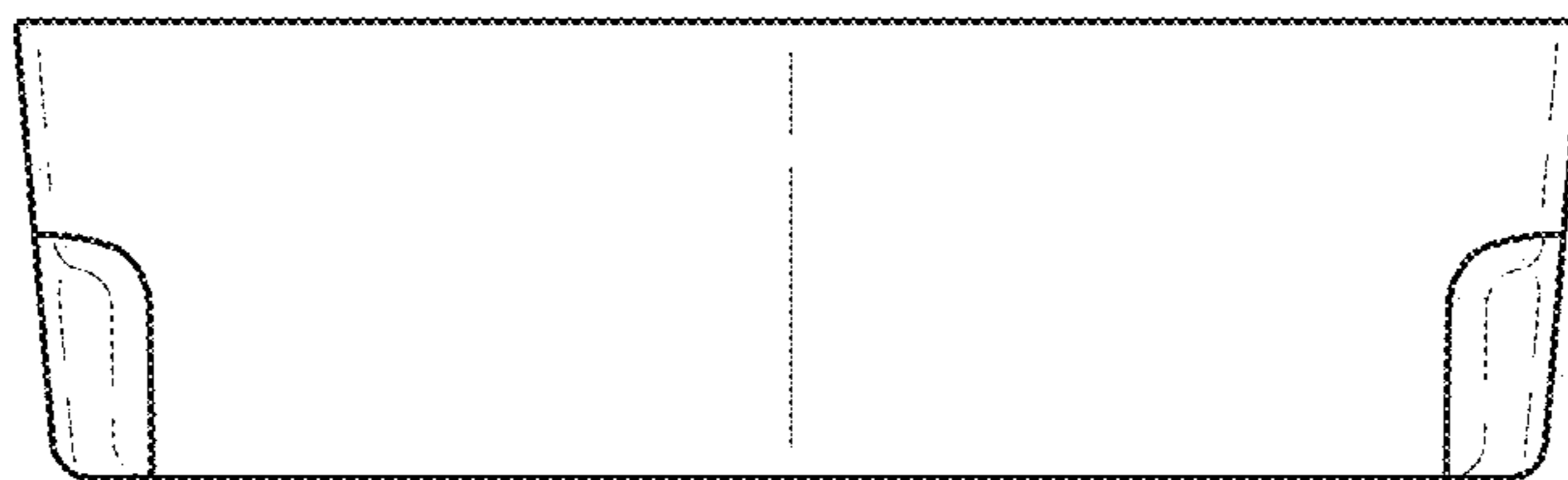


FIG. 5

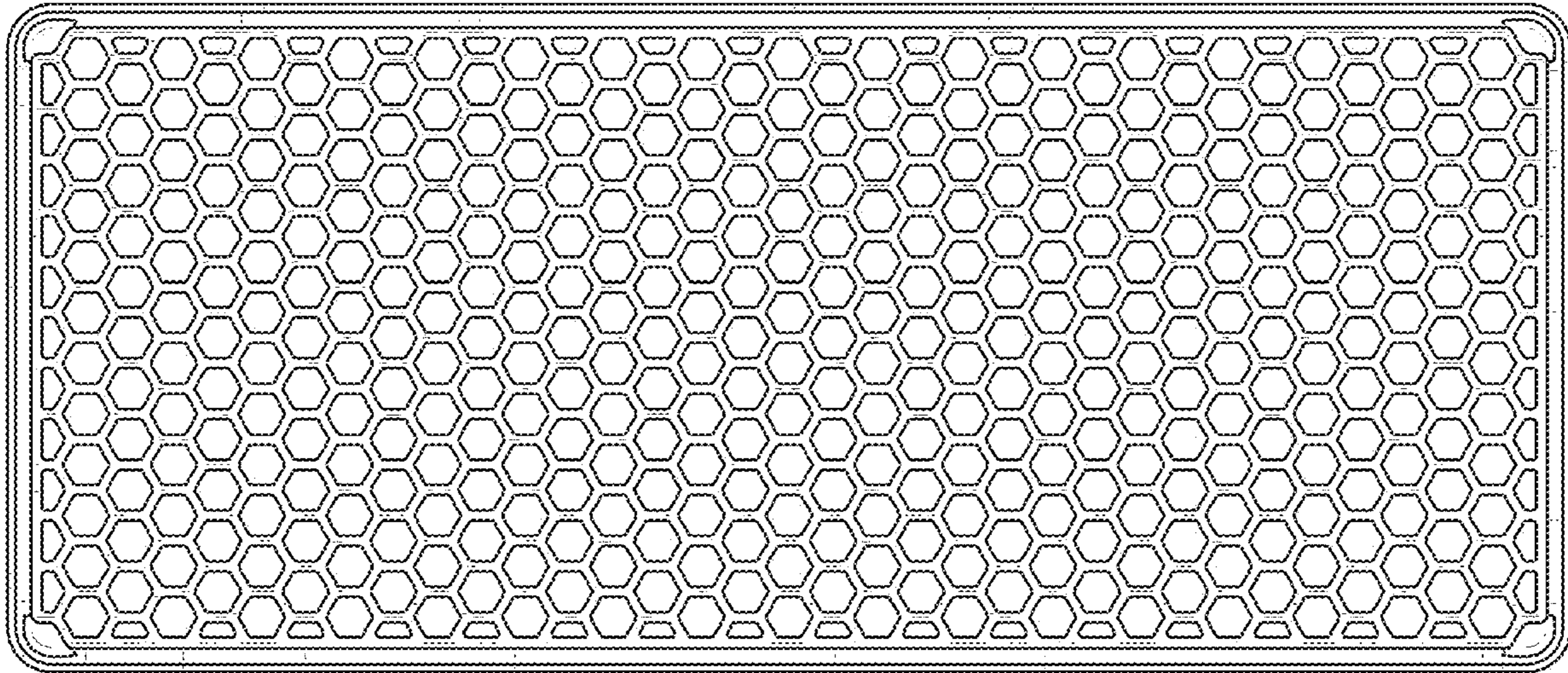


FIG. 6

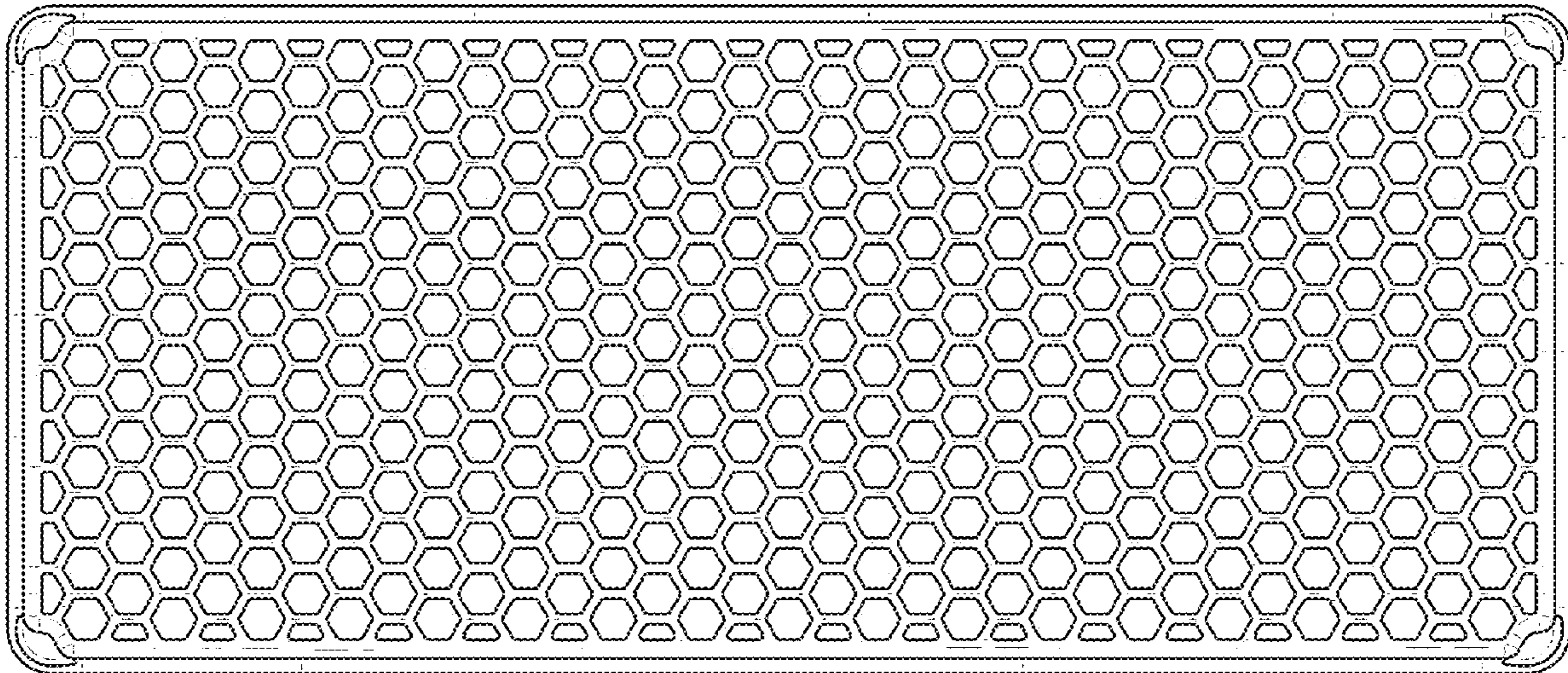


FIG. 7