



US00D977250S

(12) **United States Design Patent**
Hsu

(10) **Patent No.:** **US D977,250 S**
(45) **Date of Patent:** **** Feb. 7, 2023**

- (54) **STORAGE BASKET**
- (71) Applicant: **L&F PLASTICS, CO., LTD.**, Miaoli County (TW)
- (72) Inventor: **Mu-Chuan Hsu**, Miaoli County (TW)
- (73) Assignee: **L&F PLASTICS, CO., LTD.**, Miaoli County (TW)

- D801,687 S * 11/2017 Holland D3/309
- D805,777 S * 12/2017 Wei D3/305
- D816,997 S * 5/2018 Turner D3/304
- D847,509 S * 5/2019 Quinn D3/305
- D930,985 S * 9/2021 Lu D3/305
- D933,364 S * 10/2021 Chen D3/305
- D948,867 S * 4/2022 Hsu D3/305
- D951,640 S * 5/2022 Kellerer D3/310

(Continued)

(**) Term: **15 Years**

(21) Appl. No.: **29/775,161**

(22) Filed: **Mar. 22, 2021**

(51) **LOC (14) Cl.** **03-01**

(52) **U.S. Cl.**
USPC **D3/305**

(58) **Field of Classification Search**
 USPC D3/302, 304, 305, 307, 309-314, 318, D3/319, 323; D7/560-562, 602, 605; D9/702-714, 719, 738-740, 517-518, D9/522, 416, 425, 435, 444, 460, 455, D9/414, 499, 431-432
 CPC A45C 7/0077; A45C 3/04; A45C 3/10; B65D 43/0218; B65D 33/02; B65D 33/00; B65D 33/06; B65D 33/065; B65D 33/14; B65D 33/1683; B65D 33/12; B65D 33/24; B65D 31/00; B65D 31/04; B65D 31/10; B65D 21/222; B65D 21/233; B65D 21/62; B65D 21/223; B65D 25/2841; B65D 25/25; B65D 81/3813; B65D 81/3823; D06F 95/002
 See application file for complete search history.

(56) **References Cited**

U.S. PATENT DOCUMENTS

- D248,280 S * 6/1978 Martin D3/304
- D381,513 S * 7/1997 Brauner D3/305
- D684,368 S * 6/2013 Stolzman D3/304
- D707,547 S * 6/2014 Orgeldinger D3/304

OTHER PUBLICATIONS

“Amazon.com: CleverMade 62L Collapsible Storage Bins”, [Posted Online on amazon.com], [Posting Date Sep. 9, 2015], [Retrieved Online on Sep. 29, 2022], <https://www.amazon.com/dp/B015PIRC0C> (Year: 2015).*

(Continued)

Primary Examiner — Mary Shannon Malley
Assistant Examiner — Christopher John Suarez La Rosa
(74) *Attorney, Agent, or Firm* — Millen, White, Zelano & Branigan, P.C.; William Nixon; Wan-Ching Montfort

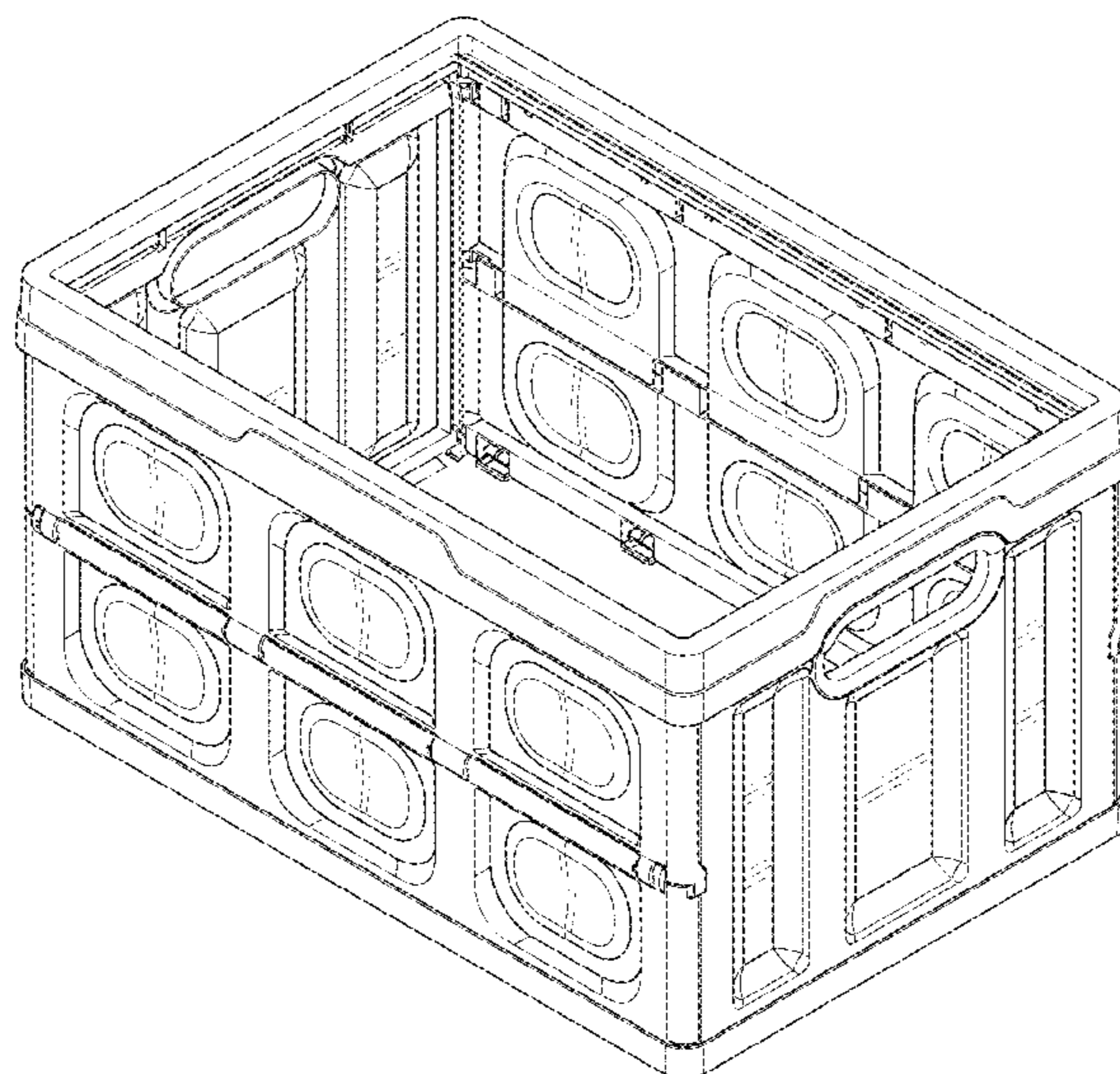
(57) **CLAIM**

The ornamental design for a storage basket, as shown and described.

DESCRIPTION

FIG. 1 is a top front perspective view of a storage basket showing our new design;
FIG. 2 is a front view thereof and the rear view being a mirror image;
FIG. 3 is a left side view thereof and the right side view being a mirror image;
FIG. 4 is a top view thereof;
FIG. 5 is a bottom view thereof;
FIG. 6 is a top front perspective view of the storage basket of FIG. 1, shown in a folded configuration; and,
FIG. 7 is a bottom front perspective view of the storage basket shown in FIG. 1.

1 Claim, 6 Drawing Sheets



(56)

References Cited

U.S. PATENT DOCUMENTS

2008/0179336 A1* 7/2008 Whitney B65D 1/22
220/516

OTHER PUBLICATIONS

“Amazon.com: GreenMade InstaCrate Collapsible”, [Posted Online on amazon.com], [Posting Date Nov. 9, 2016], [Retrieved Online on Sep. 29, 2022], <https://www.amazon.com/GreenMade-InstaCrate-Collapsible-Storage-Container/dp/B01MXE3ZSI> (Year: 2016).*

* cited by examiner

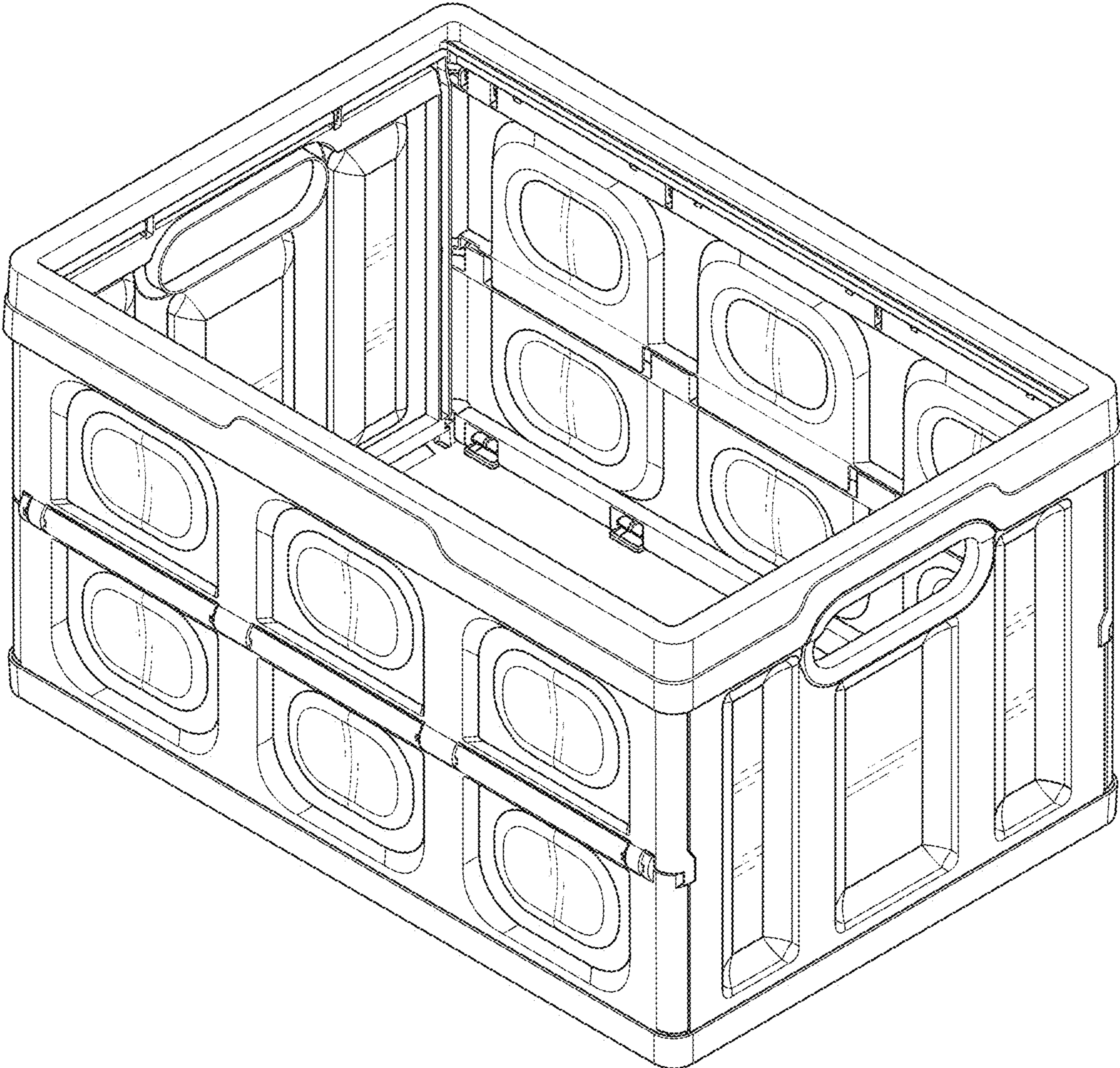


FIG. 1

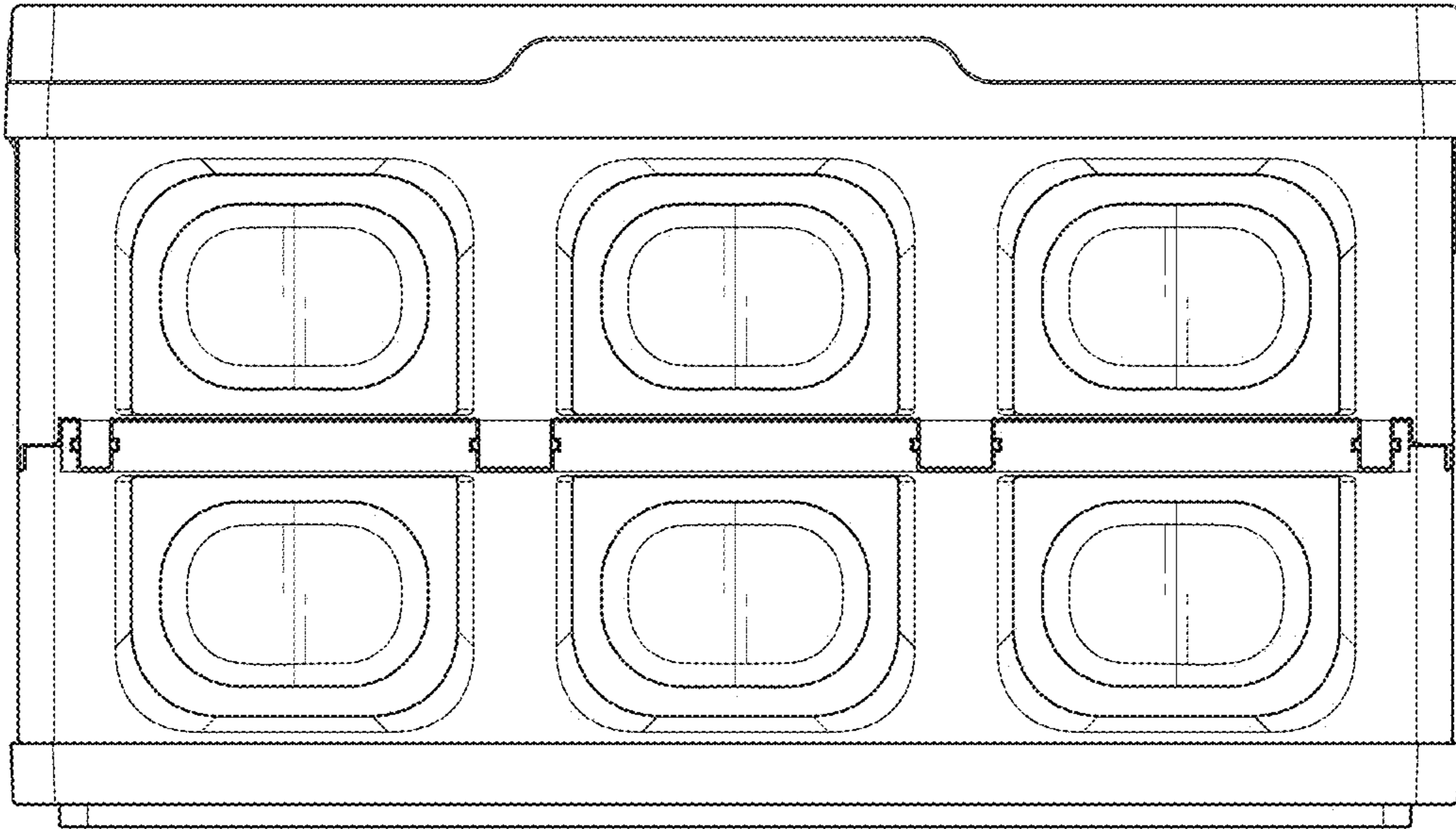


FIG. 2

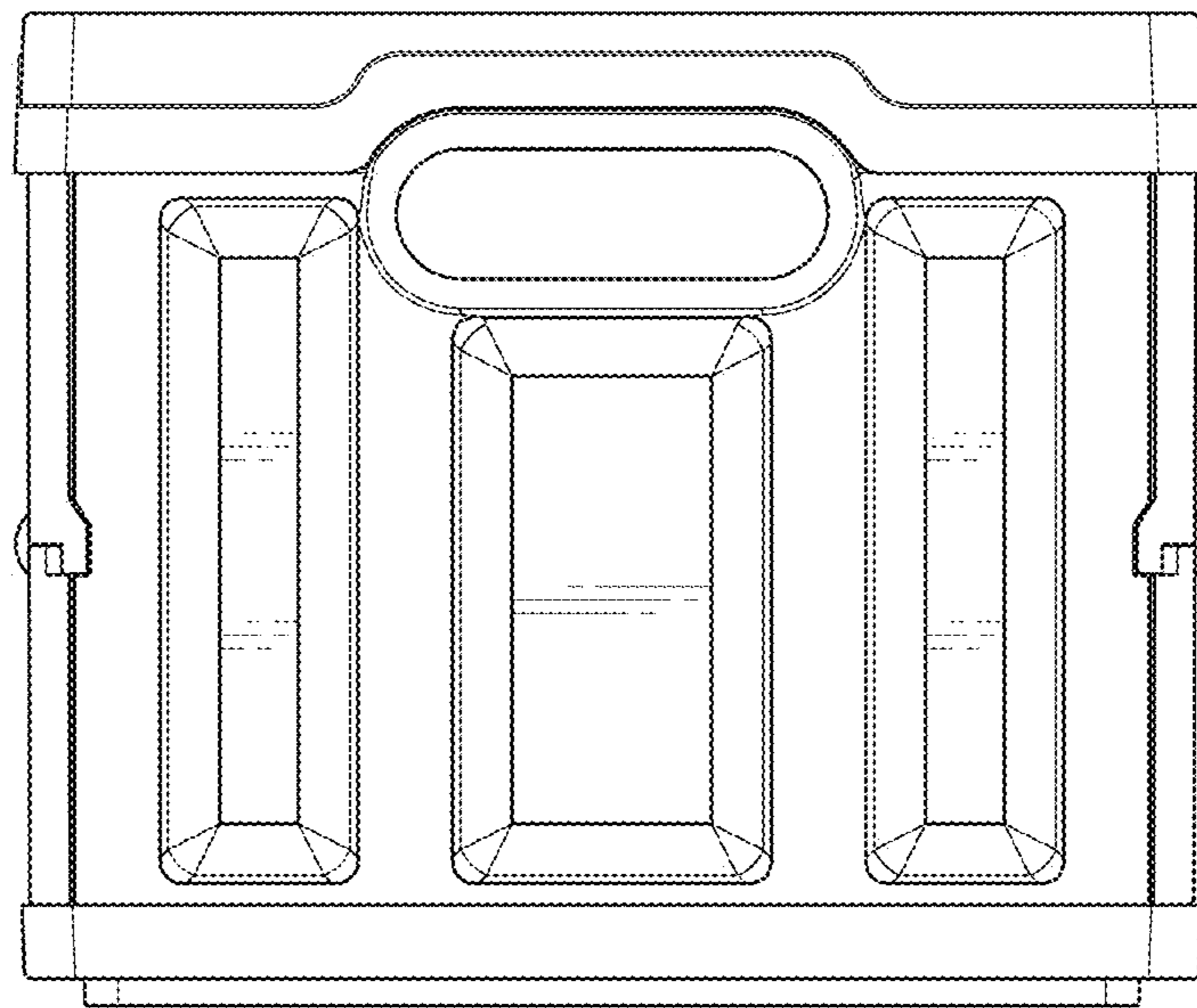


FIG. 3

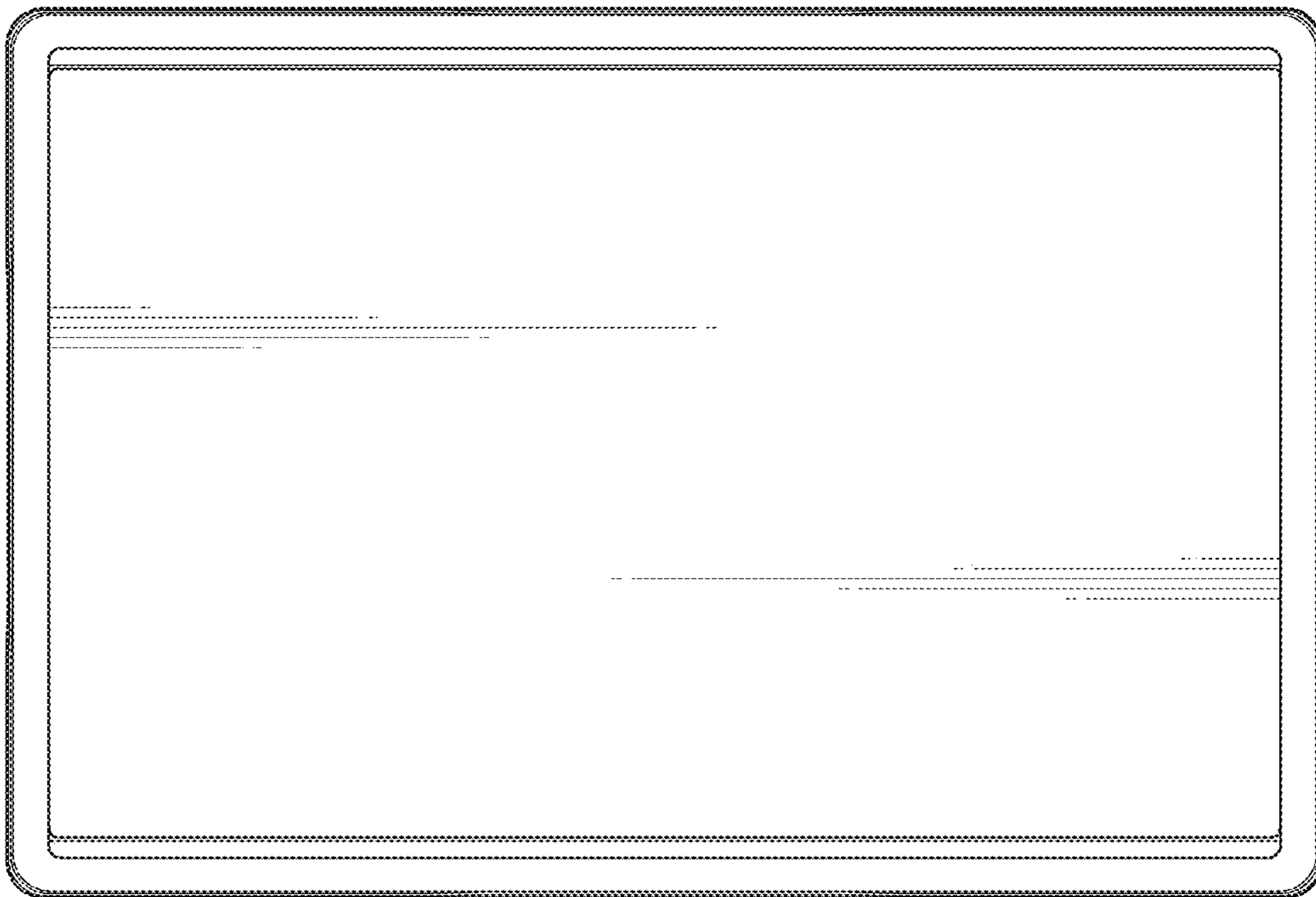


FIG. 4

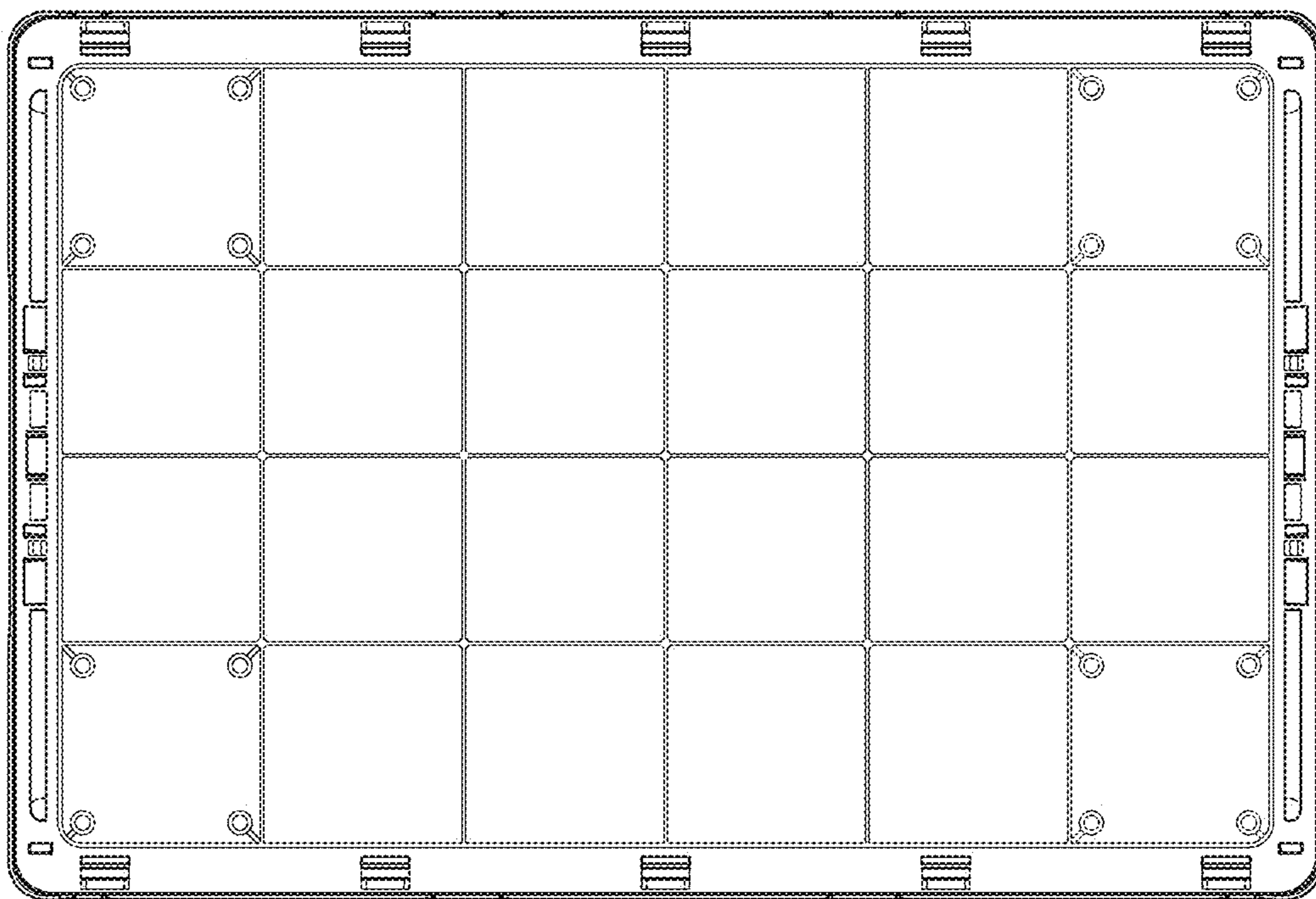


FIG. 5

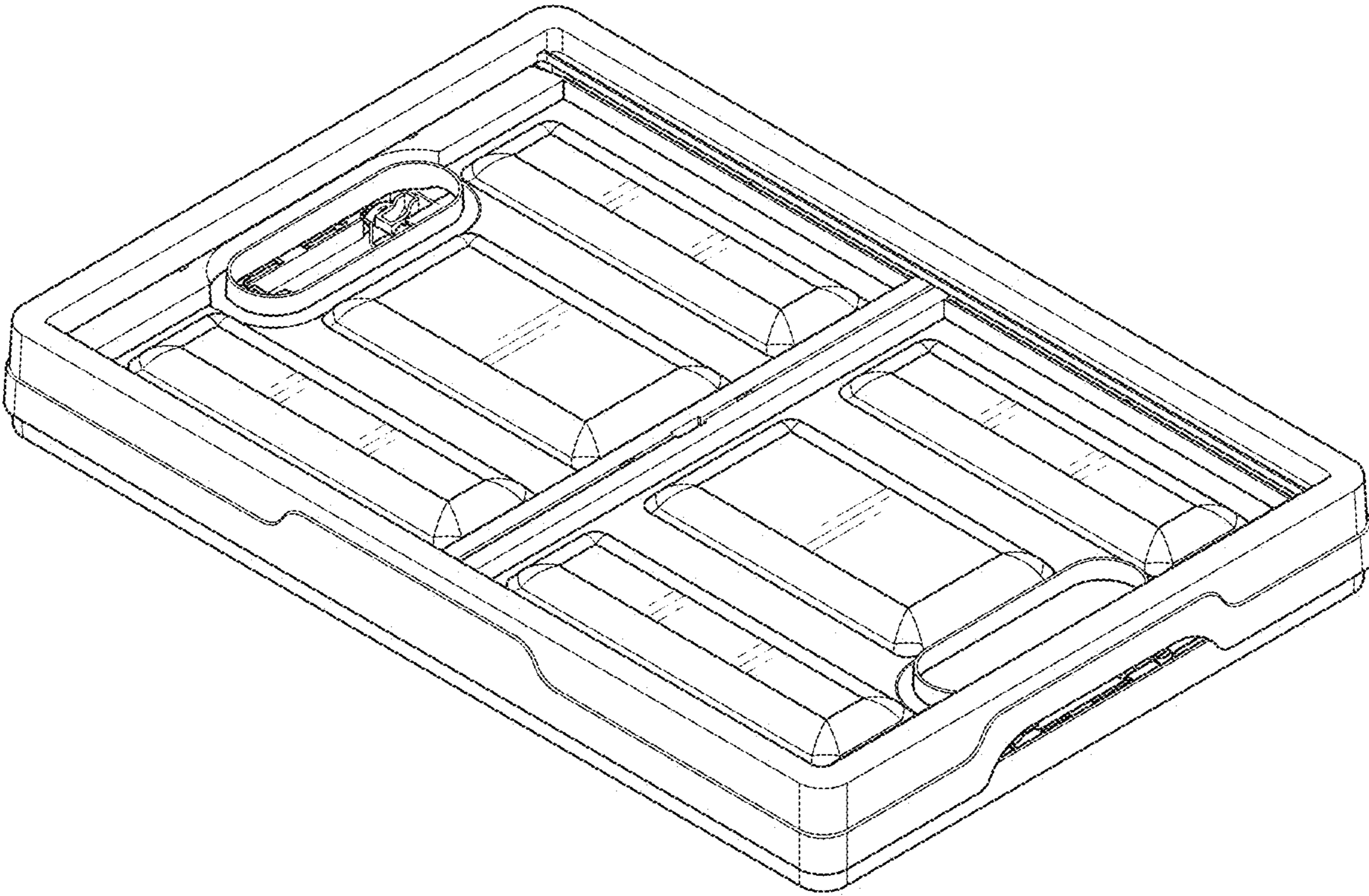


FIG. 6

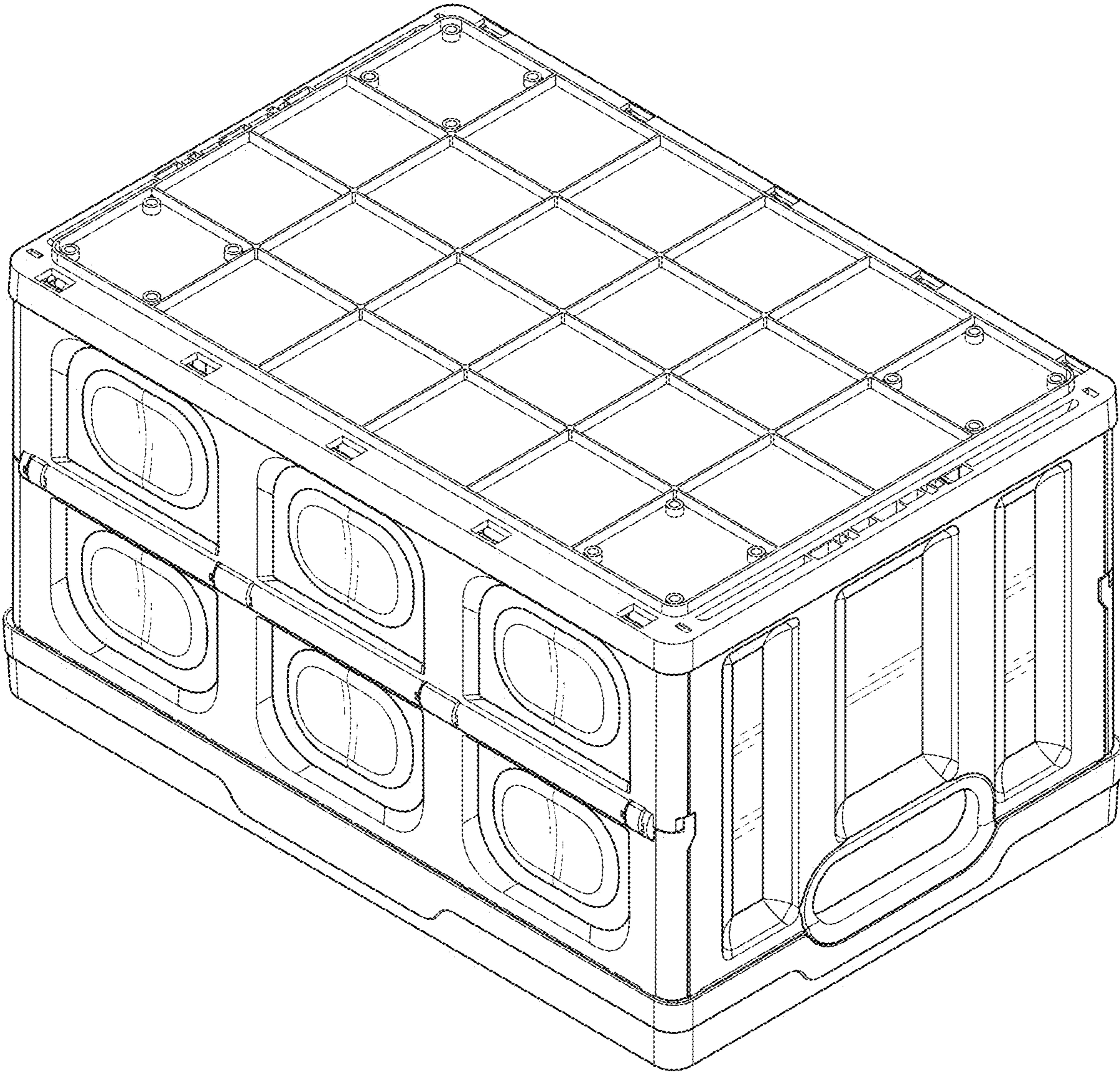


FIG. 7