



US00D977249S

(12) **United States Design Patent** (10) **Patent No.:** **US D977,249 S**  
**Hsu** (45) **Date of Patent:** **\*\* Feb. 7, 2023**

(54) **CONTAINER**

(71) Applicant: **L&F PLASTICS, CO., LTD.**, Miaoli County (TW)  
(72) Inventor: **Mu-Chuan Hsu**, Miaoli County (TW)  
(73) Assignee: **L&F Plastics, Co., Ltd.**, Miaoli County (TW)  
(\*\*) Term: **15 Years**  
(21) Appl. No.: **29/774,004**  
(22) Filed: **Mar. 12, 2021**

(30) **Foreign Application Priority Data**

Sep. 18, 2020 (TW) ..... 109305295  
(51) **LOC (14) Cl.** ..... **03-01**  
(52) **U.S. Cl.**  
USPC ..... **D3/304**  
(58) **Field of Classification Search**  
USPC ..... D3/302, 304, 305, 307, 309-314, 318, D3/319, 323; D7/560-562, 602, 605; D9/702-714, 719, 738-740, 517-518, D9/522, 416, 425, 435, 444, 460, 455, D9/414, 499, 431-432; D24/100-234  
CPC ..... A45C 7/0077; A45C 3/04; A45C 3/10; B65D 43/0218; B65D 33/02; B65D 33/00; B65D 33/06; B65D 33/065; B65D 33/14; B65D 33/1683; B65D 33/12; B65D 33/24; B65D 31/00; B65D 31/04; B65D 31/10; B65D 21/222; B65D 21/233; B65D 21/62; B65D 21/223; B65D 25/2841; B65D 25/25; B65D 81/3813; B65D 81/3823; D06F 95/002

See application file for complete search history.

(56) **References Cited**

U.S. PATENT DOCUMENTS

D235,054 S \* 5/1975 Herman ..... D3/304  
D376,693 S \* 12/1996 Wolff ..... D3/323  
D436,729 S \* 1/2001 Aiken ..... D3/304  
D596,857 S \* 7/2009 Ahlgrim ..... D3/307  
D753,918 S \* 4/2016 Lindsay ..... D19/86  
D758,730 S \* 6/2016 Berger ..... D3/304  
D836,339 S \* 12/2018 Winn ..... B65D 5/6697  
D901,293 S \* 11/2020 Plattner ..... D3/294  
D903,317 S \* 12/2020 Kyte ..... D9/425  
D914,368 S \* 3/2021 Gruenbeck ..... D3/272  
D938,894 S \* 12/2021 Guo ..... D12/423  
D949,566 S \* 4/2022 Ritzberger ..... D9/425  
2022/0089324 A1 \* 3/2022 Whitta ..... B65D 1/22

\* cited by examiner

*Primary Examiner* — Mary Shannon Malley  
*Assistant Examiner* — Christopher John Suarez La Rosa  
(74) *Attorney, Agent, or Firm* — Millen, White, Zelano & Branigan, P.C.; William Nixon; Wan-Ching Montfort

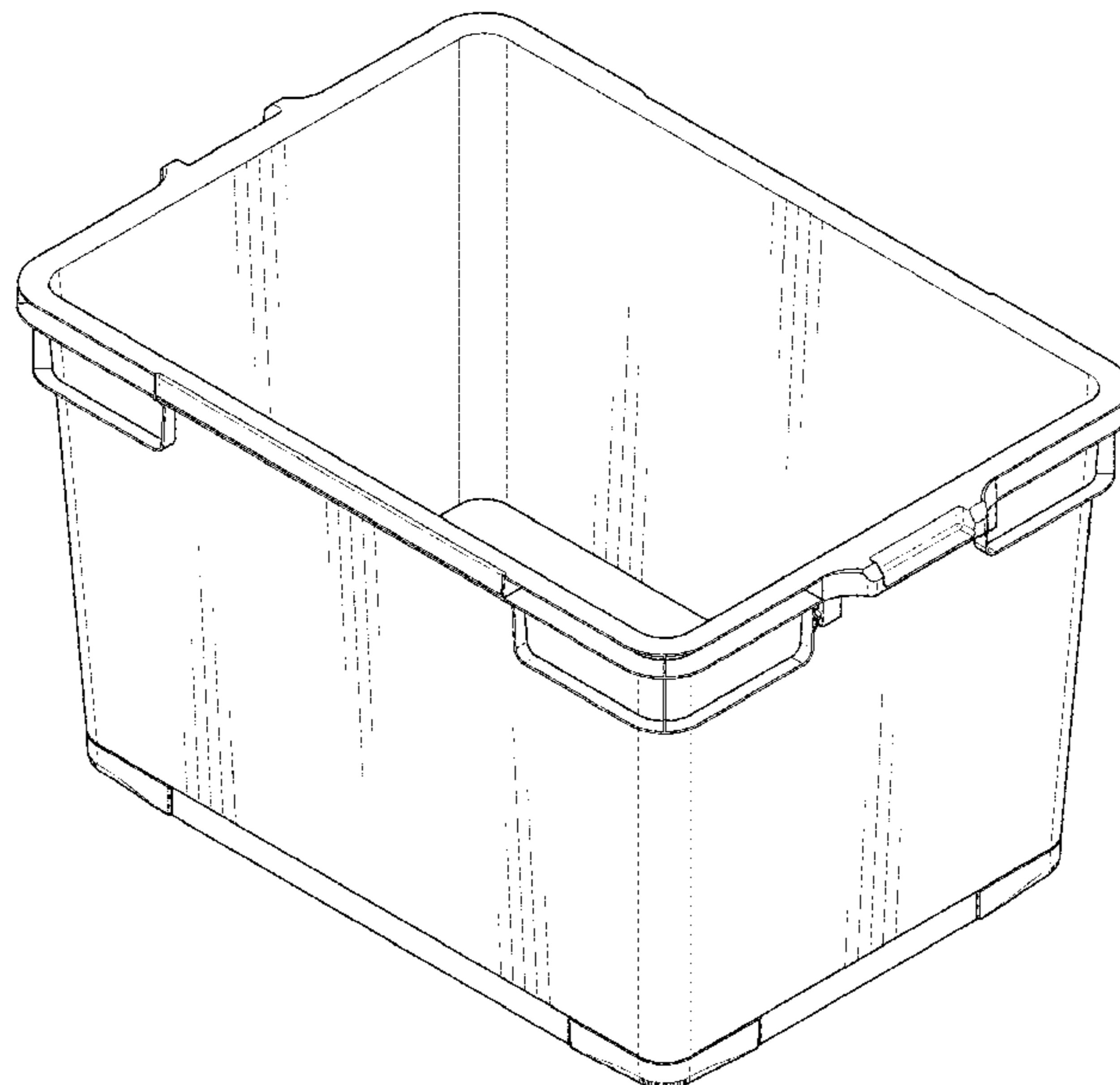
(57) **CLAIM**

The ornamental design for a container, as shown and described.

**DESCRIPTION**

FIG. 1 is a top front perspective view of a container showing our new design;  
FIG. 2 is a front view thereof and the rear view being a mirror image;  
FIG. 3 is a left side view thereof and the right side view being a mirror image;  
FIG. 4 is a top view thereof;  
FIG. 5 is a bottom view thereof; and,  
FIG. 6 is a bottom front perspective view thereof.  
The relatively thin shade lines show contour and not surface ornamentation.

**1 Claim, 6 Drawing Sheets**



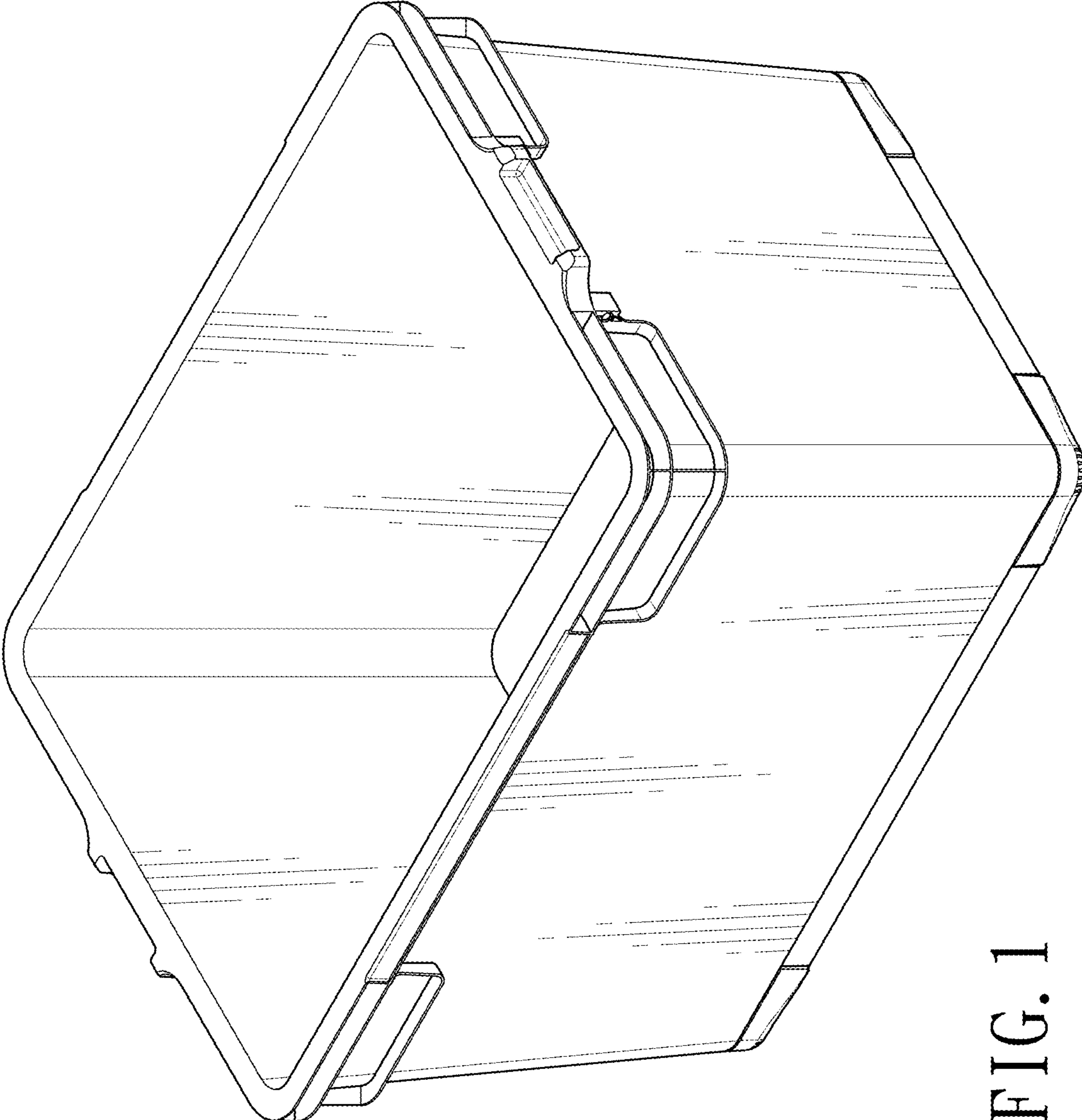


FIG. 1

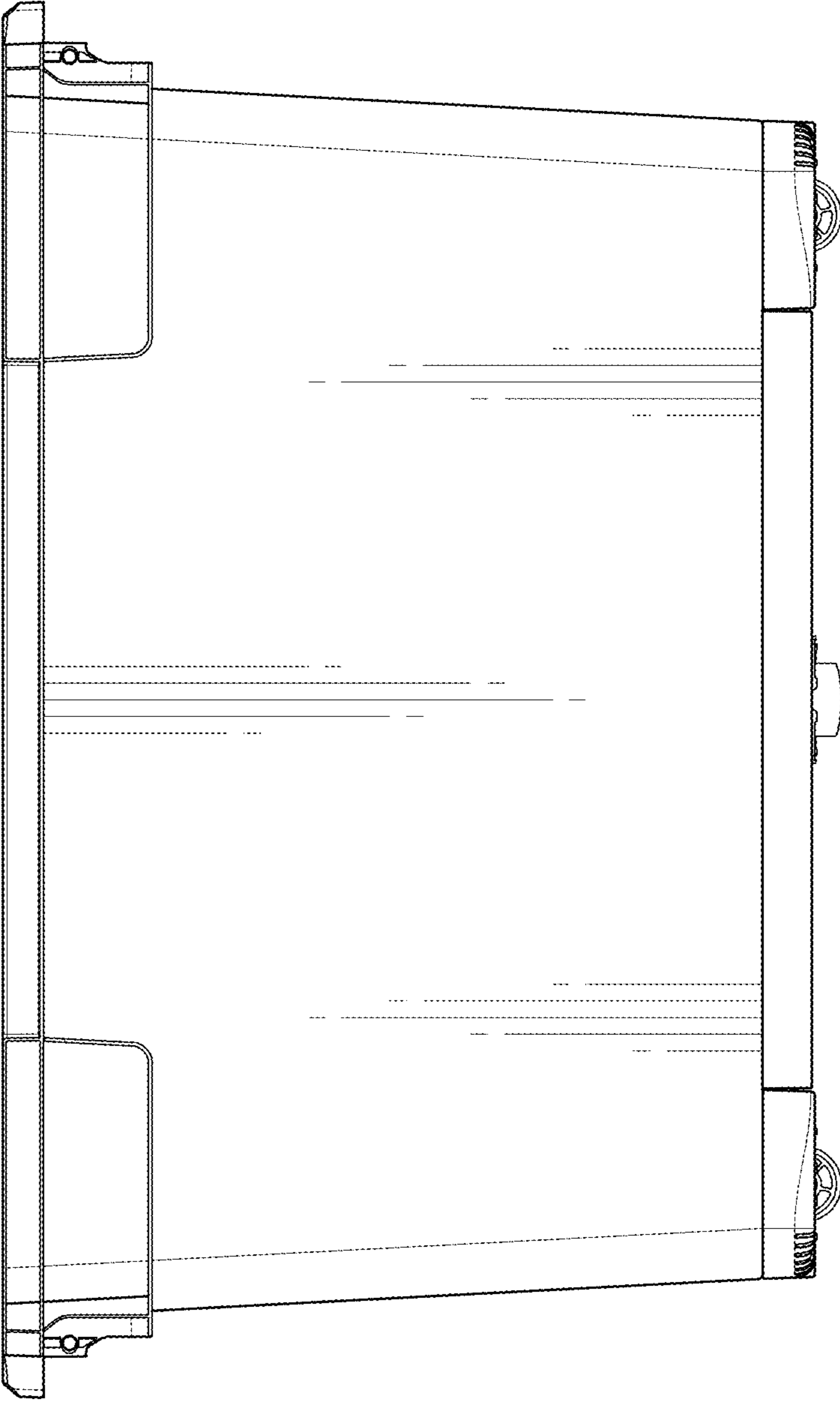


FIG. 2

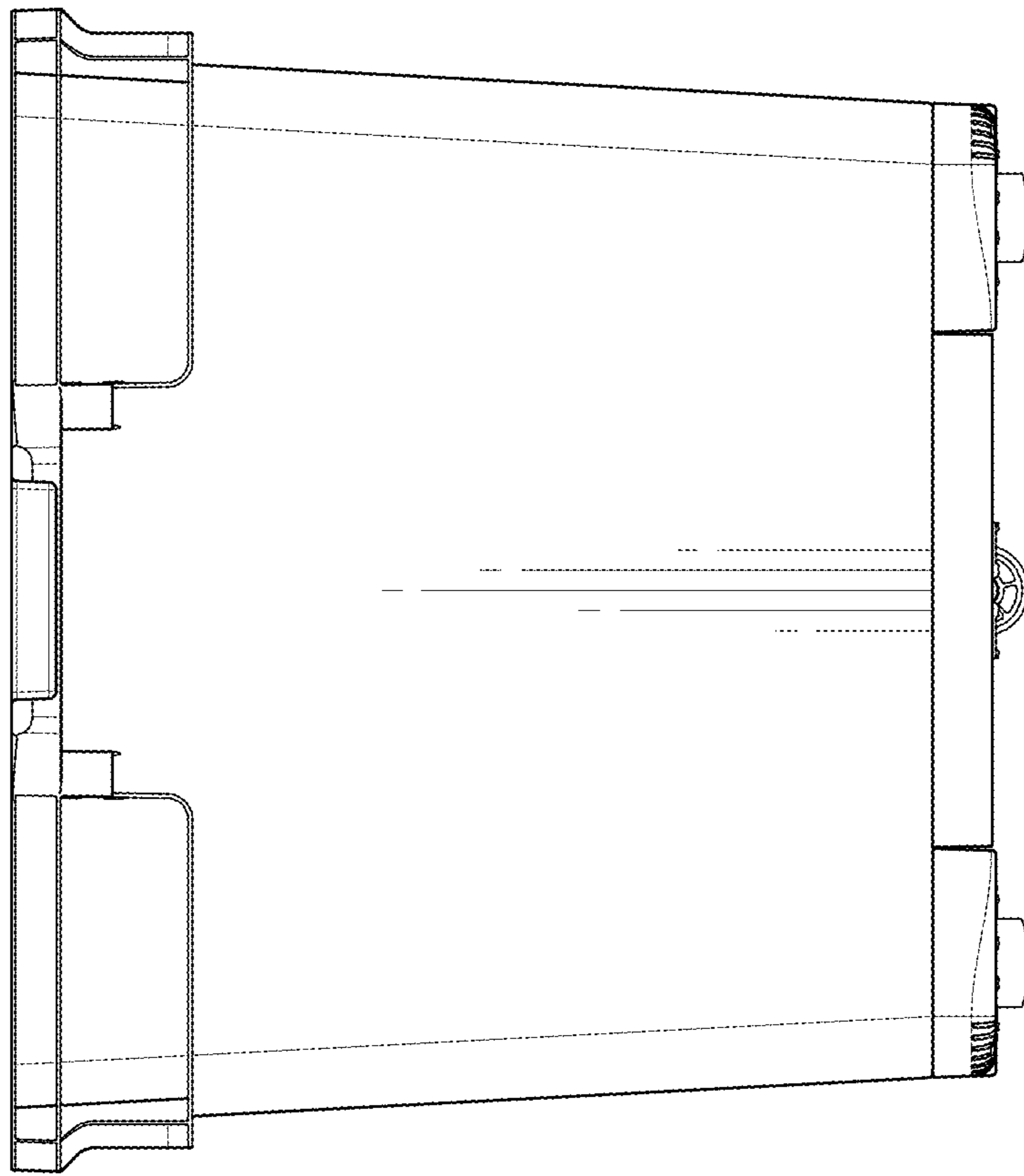


FIG. 3

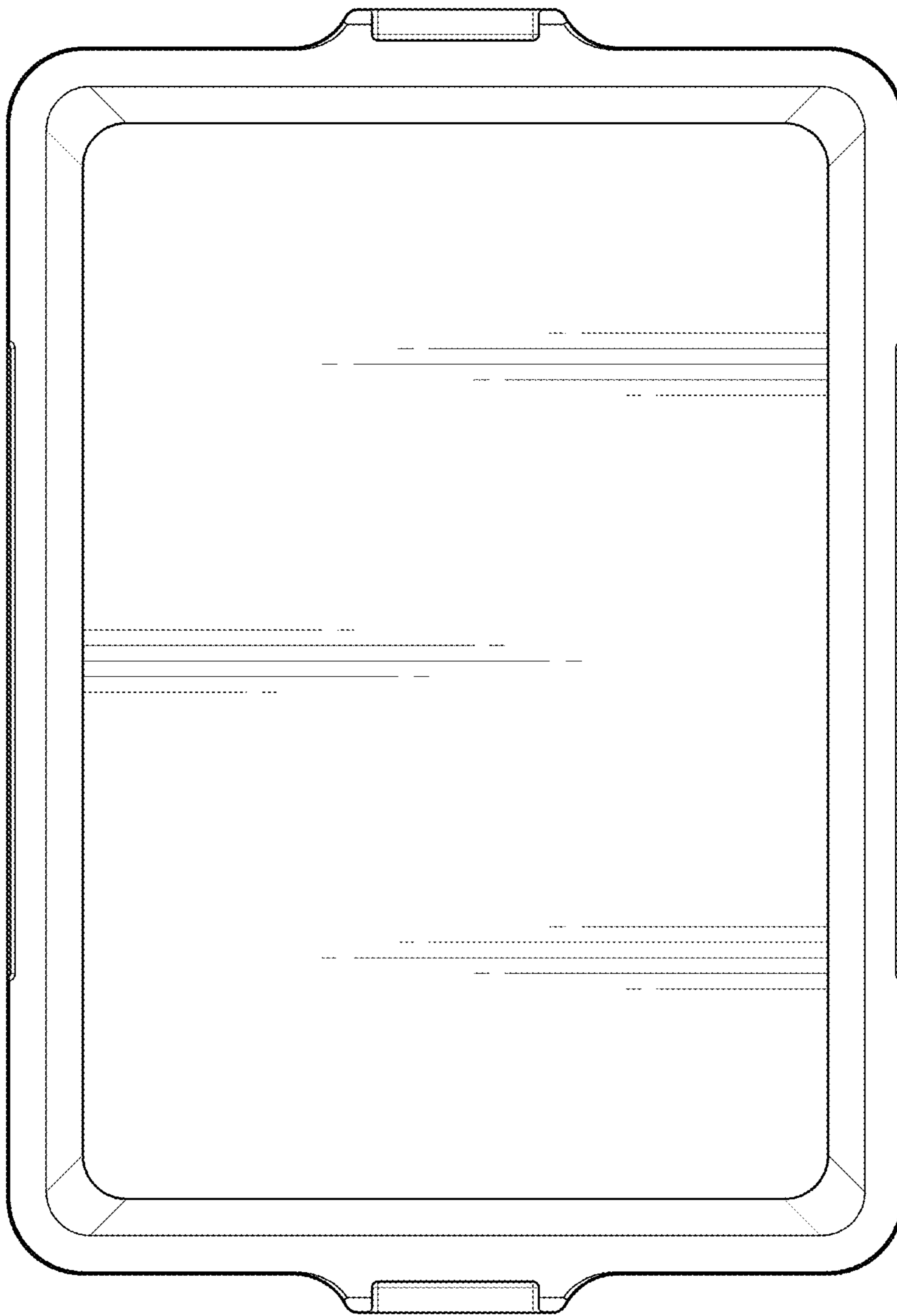


FIG. 4

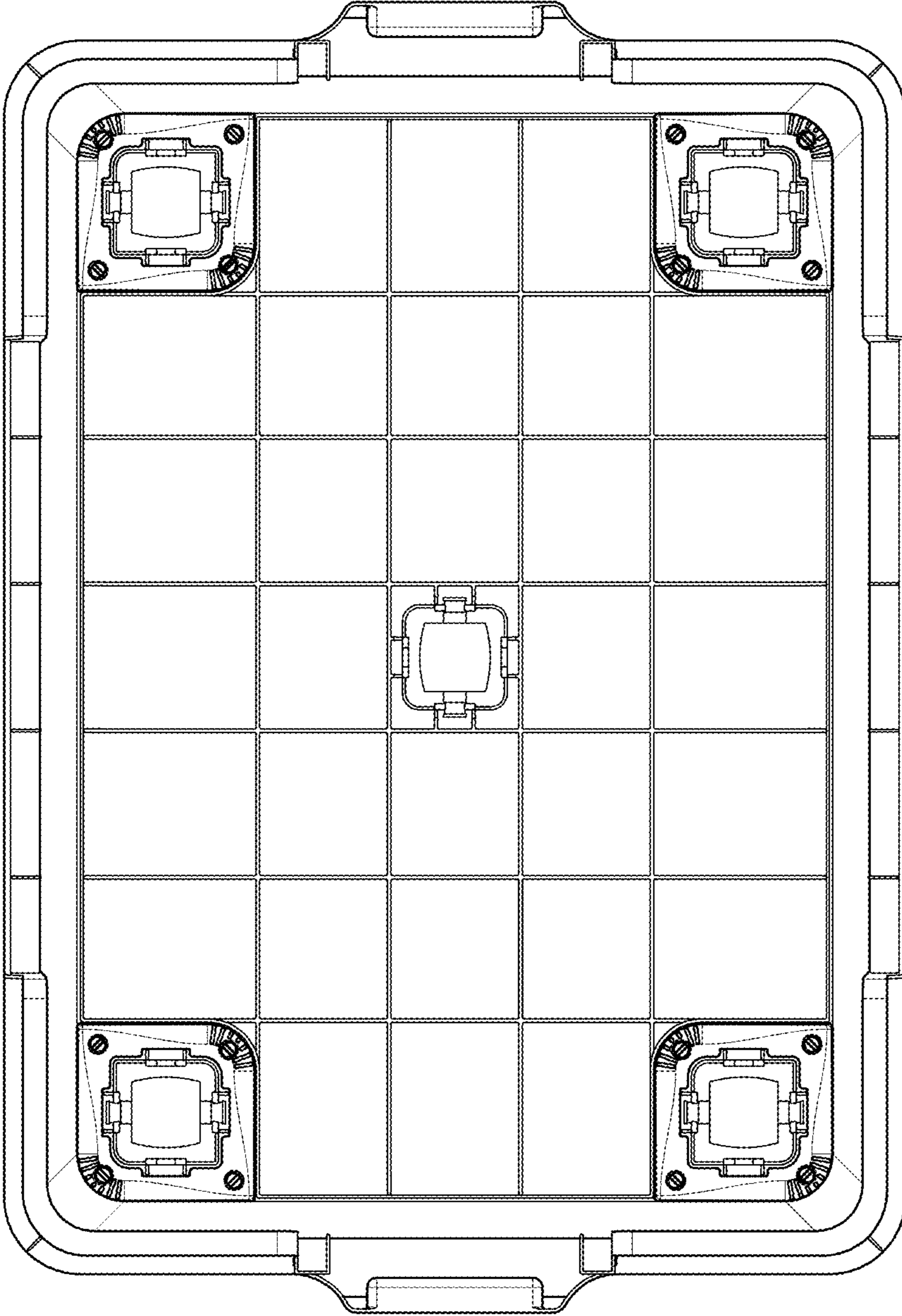


FIG. 5

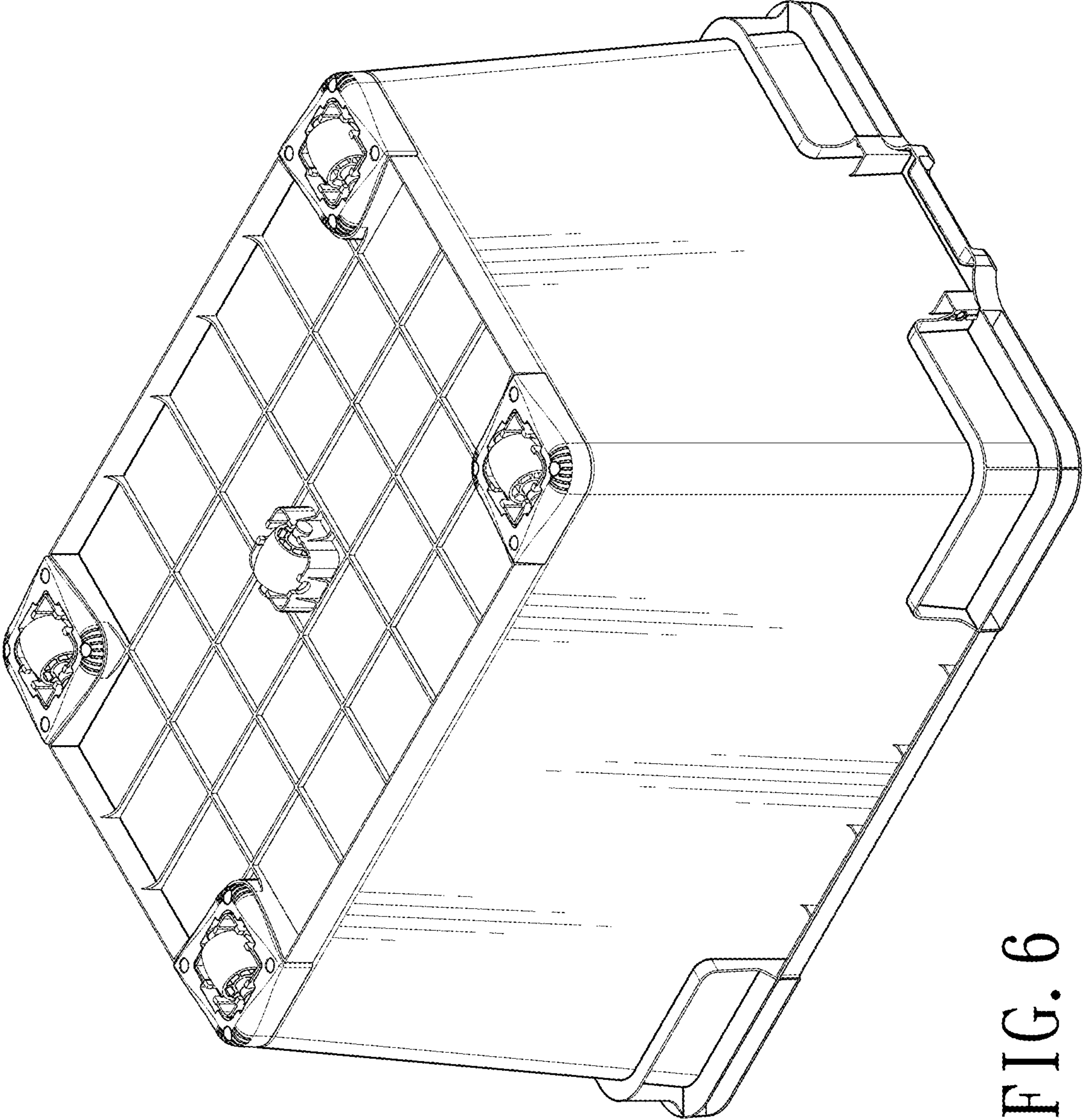


FIG. 6