

US00D977248S

(12) **United States Design Patent**  
**Sanz et al.**

(10) **Patent No.:** **US D977,248 S**  
(45) **Date of Patent:** **\*\* Feb. 7, 2023**

(54) **LUGGAGE**

FOREIGN PATENT DOCUMENTS

(71) Applicant: **TUMI, INC.**, Edison, NJ (US)

CH 305198811 \* 6/2019  
CN 302775668 \* 4/2014

(72) Inventors: **Victor G. Sanz**, Whitehouse Station, NJ (US); **Paul V. Scicluna**, Penndel, PA (US)

(Continued)

(73) Assignee: **TUMI, INC.**, Edison, NJ (US)

OTHER PUBLICATIONS

(\*\*) Term: **15 Years**

Amazon.com: Site visited Oct. 12, 2021. Tumi Men's 19 Degree Aluminum International Carry On Suitcase: Oldest review dated Sep. 24, 2017 [https://www.amazon.com/Tumi-Degree-Aluminum-International-Carry/dp/B01N1G56KJ?ref\\_ast\\_sto\\_dp&th=1](https://www.amazon.com/Tumi-Degree-Aluminum-International-Carry/dp/B01N1G56KJ?ref_ast_sto_dp&th=1) (Year: 2017).\*

(21) Appl. No.: **29/747,079**

(Continued)

(22) Filed: **Aug. 19, 2020**

*Primary Examiner* — Brett Miller

(51) **LOC (14) Cl.** ..... **03-01**

*Assistant Examiner* — Jessica M Gebhart

(52) **U.S. Cl.**

(74) *Attorney, Agent, or Firm* — Lando & Anastasi, LLP

USPC ..... **D3/279**; D3/321

(58) **Field of Classification Search**

(57) **CLAIM**

USPC ..... D3/273, 276, 279, 281, 291, 321, 274,  
D3/283, 318, 292, 319, 322, 282, 289,  
D3/902

The ornamental design for a luggage, as shown and described.

CPC ..... A45C 5/14; A45C 5/00; A45C 2003/008;  
A45C 2005/032

**DESCRIPTION**

See application file for complete search history.

FIG. 1 is a front perspective view of an embodiment of a luggage in an expanded condition; FIG. 2 is a rear view thereof; FIG. 3 is a front view thereof; FIG. 4 is a left side view thereof; FIG. 5 is a right side view thereof; FIG. 6 is a top view thereof; FIG. 7 is a bottom view thereof; and, FIG. 8 is a front perspective view thereof in a collapsed condition.

(56) **References Cited**

U.S. PATENT DOCUMENTS

D582,160 S *	12/2008	Sijmons	.....	D3/279
D664,355 S *	7/2012	Moon	.....	D3/279
D665,998 S *	8/2012	Sijmons	.....	D3/279
D711,104 S *	8/2014	Lai	.....	D3/279
D712,658 S *	9/2014	Lai	.....	D3/279
D724,323 S *	3/2015	Wang	.....	D3/321
D733,428 S *	7/2015	Sijmons	.....	D3/279
D743,697 S *	11/2015	Tooze	.....	D3/279
D755,518 S *	5/2016	Sijmons	.....	D3/279
D796,198 S *	9/2017	Sanz	.....	D3/279
D805,772 S *	12/2017	Oshima	.....	D3/279
D810,434 S *	2/2018	Xu	.....	D3/279

The broken lines shown in the figures illustrate structure or features that form no part of the claimed design. The drawings include grey surface shading that represents contour and not surface ornamentation or color. The dot-dash broken lines in the figures show boundaries of the claimed design.

(Continued)

**1 Claim, 8 Drawing Sheets**



(56)

References Cited

U.S. PATENT DOCUMENTS

D821,098	S	*	6/2018	Sheikh	.....	D3/318
D834,313	S	*	11/2018	Teng	.....	D3/279
D843,726	S	*	3/2019	Sanz	.....	D3/318
D849,403	S	*	5/2019	Tong	.....	D3/279
10,292,469	B2	*	5/2019	Sijmons	.....	A45C 13/36
D852,505	S	*	7/2019	Chen	.....	D3/279
D854,327	S	*	7/2019	Sanz	.....	D3/321
D881,569	S	*	4/2020	Rubio	.....	D3/279
D909,062	S	*	2/2021	Qian	.....	D3/279
2019/0313752	A1	*	10/2019	Luo	.....	A45C 13/04
2020/0229568	A1	*	7/2020	Nichols	.....	A45C 13/1084

FOREIGN PATENT DOCUMENTS

CN	305058278	*	3/2019
CN	305252640	*	7/2019
CN	305701603	*	4/2020
CN	305753784	*	5/2020
EM	006629176-0001	*	7/2019

OTHER PUBLICATIONS

Amazon.com: Site visited Oct. 12, 2021. 4 Pc ABS Luggage Set with Spinner Wheels. Oldest review dated Jan. 14, 2020 [https://www.amazon.com/Hardshell-Luggage-Luggages-Suitcase-Champagne/dp/B081JWBDQD/ref=sr\\_1\\_141\\_sspa?dchild](https://www.amazon.com/Hardshell-Luggage-Luggages-Suitcase-Champagne/dp/B081JWBDQD/ref=sr_1_141_sspa?dchild) (Year: 2020).\*

Youtube.com, Site visited Jan. 24, 2022, "Samsonite Tru-Frame Collection Spinner" published by Samsonite on Mar. 7, 2019 features the Tru-Frame Spinner Suitcase, <https://youtu.be/j-mCgwKBwvA> (Year: 2019).\*

Awaytravel.com, Site visited Jan. 24, 2022, Bigger Aluminum Carry-On Suitcase, oldest review Jun. 27, 2019, <https://www.awaytravel.com/suitcases/aluminum-bigger-carry-on> (Year: 2019).\*

Amazon.ca, Site visited Jan. 24, 2022, Bamboo Wolf Alloy Carry-on hardside suitcase, First available May 29, 2020, <https://www.amazon.ca/Aluminum-Hardside-Suitcase-Business-Travelling/dp/B085FRNHP8> (Year: 2020).\*

9to5toys.com, Site visited Sep. 20, 2022, "Review: Pelican's impressive Elite Luggage is built like a tank, but is it worth the price tag?" published by Justin Kahn on May 16, 2016, <https://9to5toys.com/2016/05/29/review-pelicans-impressive-elite-luggage-is-built-like-a-tank-but-is-it-worth-the-price-tag/> (Year: 2016).\*

the-gadgeteer.com, site visited Sep. 20, 2022. "Solgaard Lifepack: The Carry-On Closet review." published by Ryan Panel on Feb. 22, 2018 features the Solgaard Lifepack expandable hardshell luggage, <https://the-gadgeteer.com/2018/02/22/solgaard-lifepack-the-carry-on-closet-review/> (Year: 2018).\*

\* cited by examiner



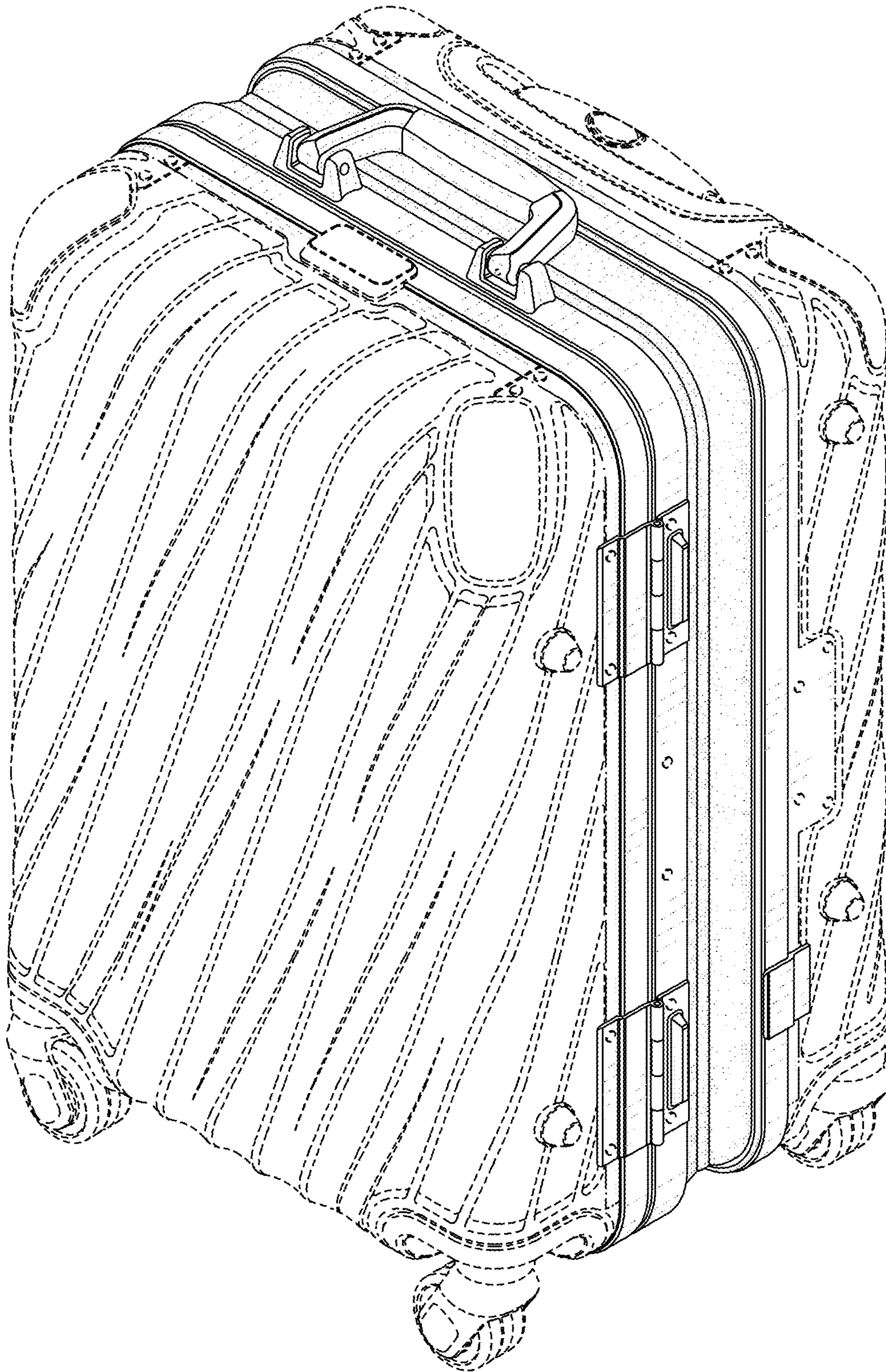


FIG. 1

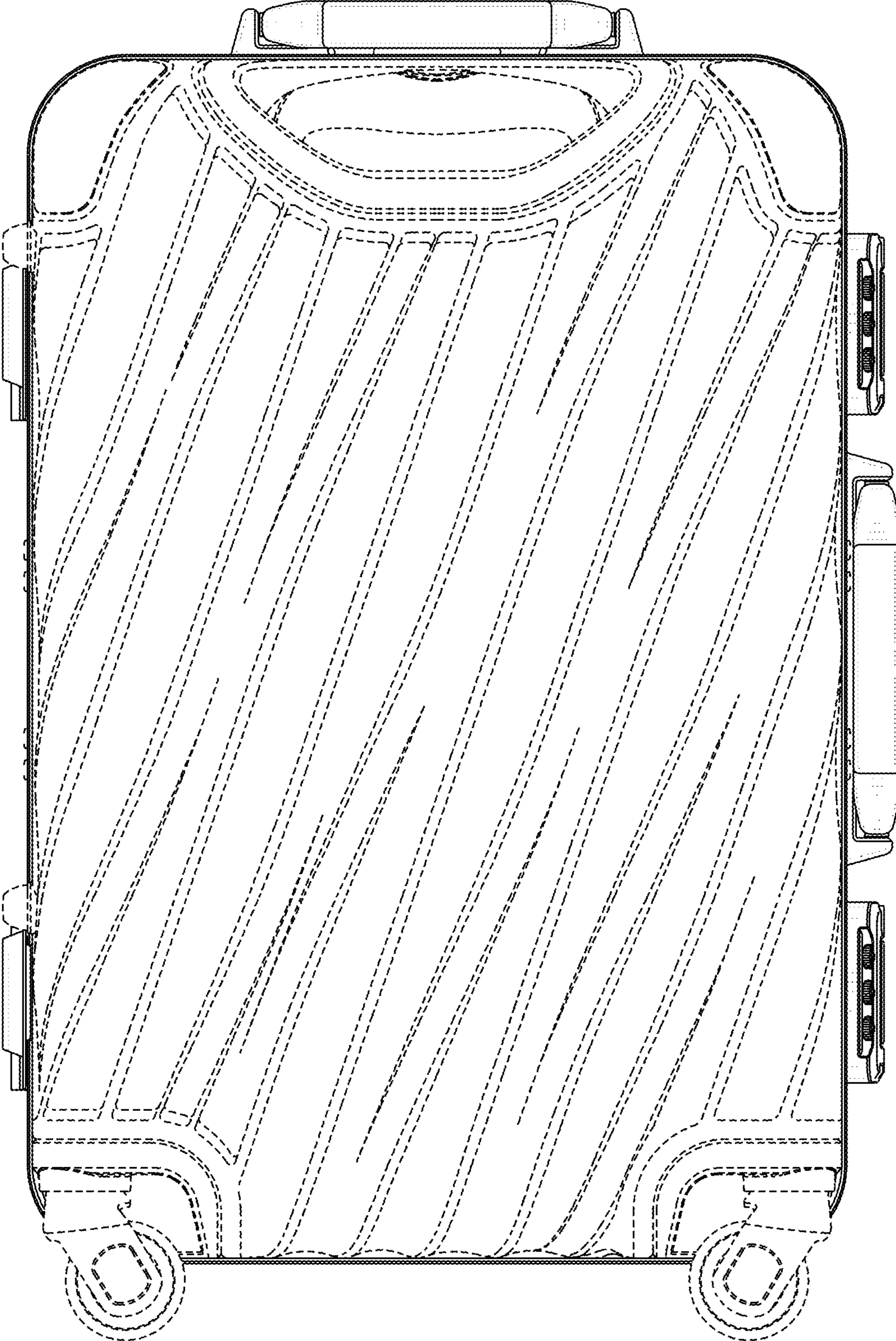


FIG. 2



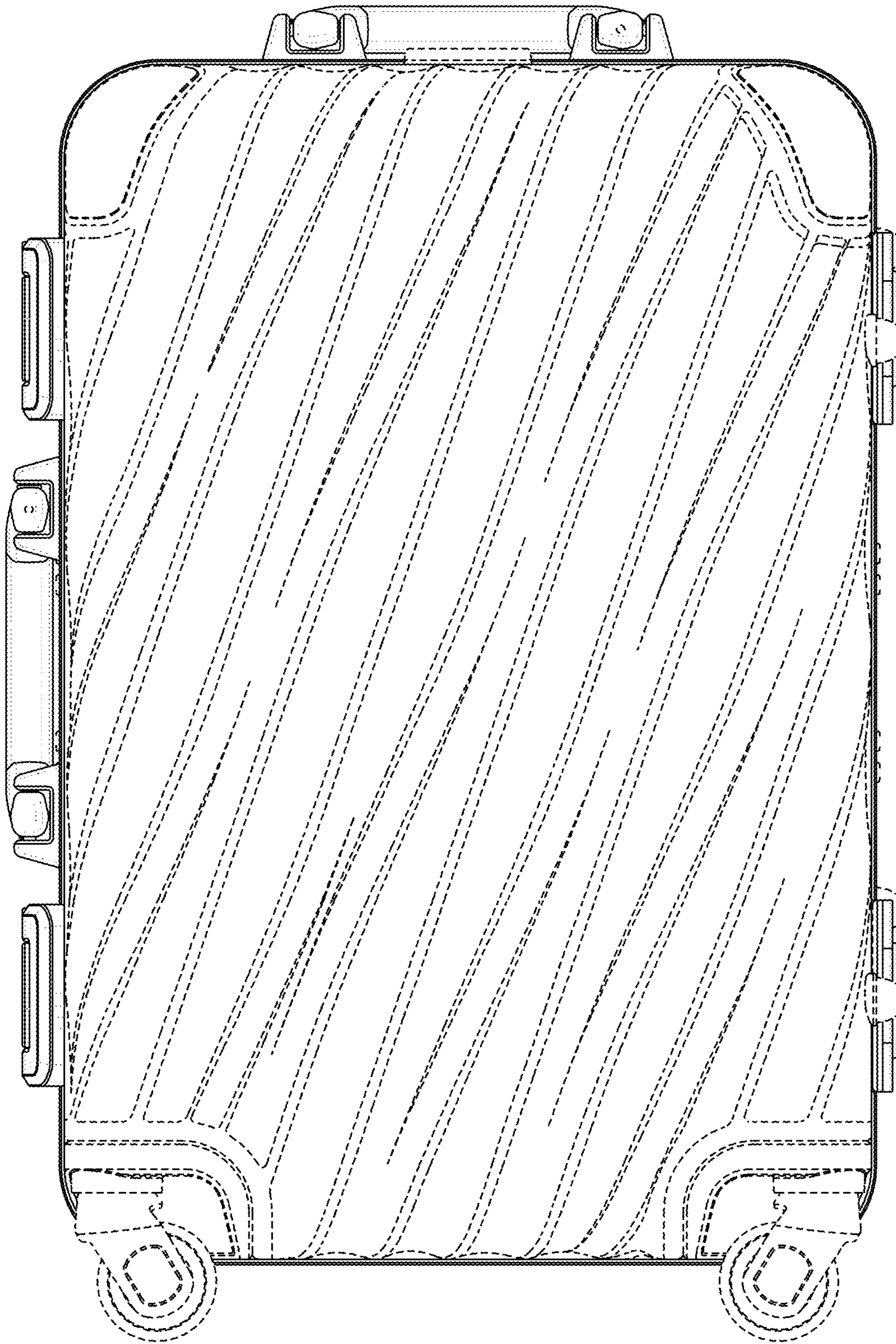


FIG. 3

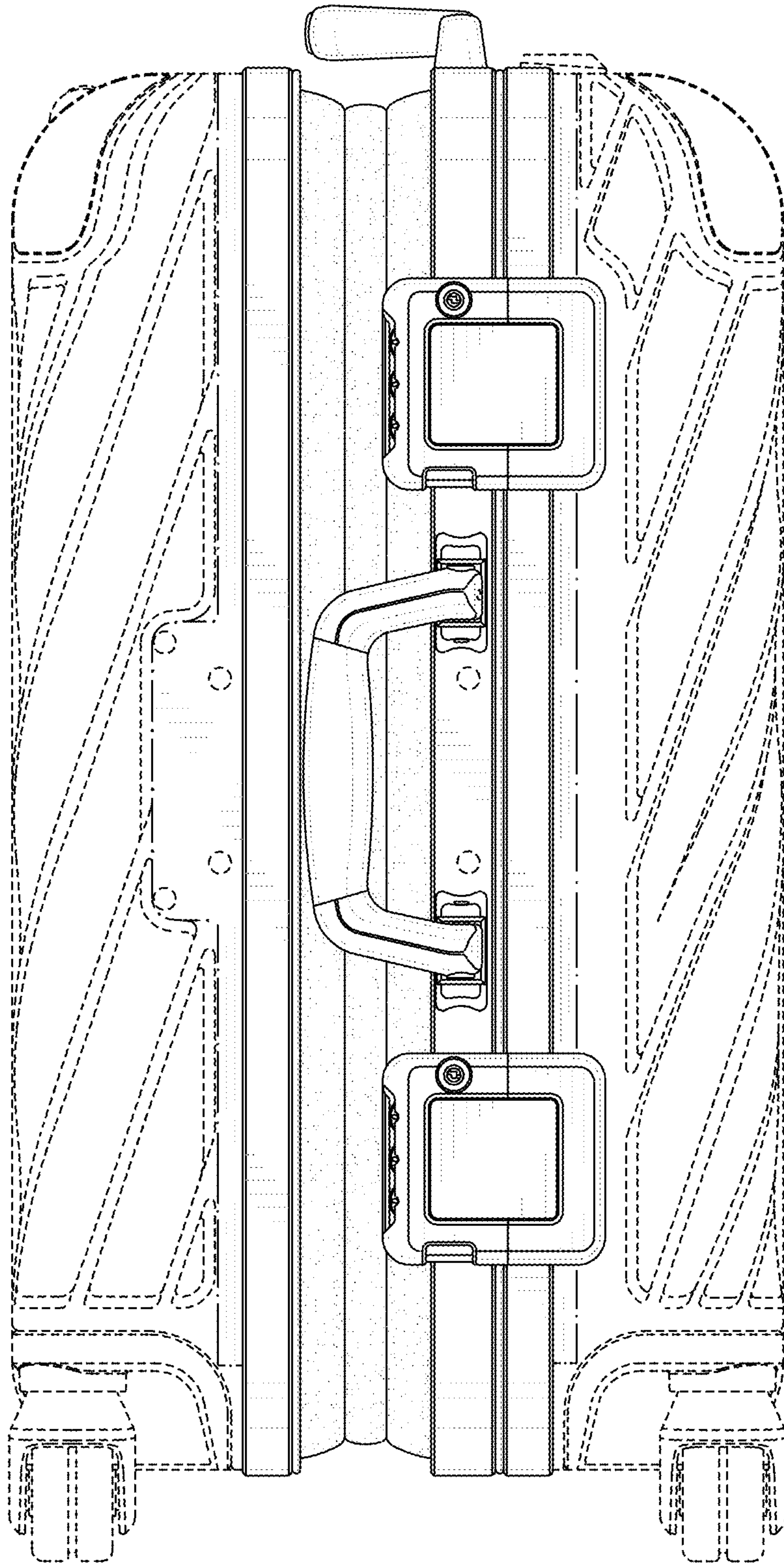


FIG. 4



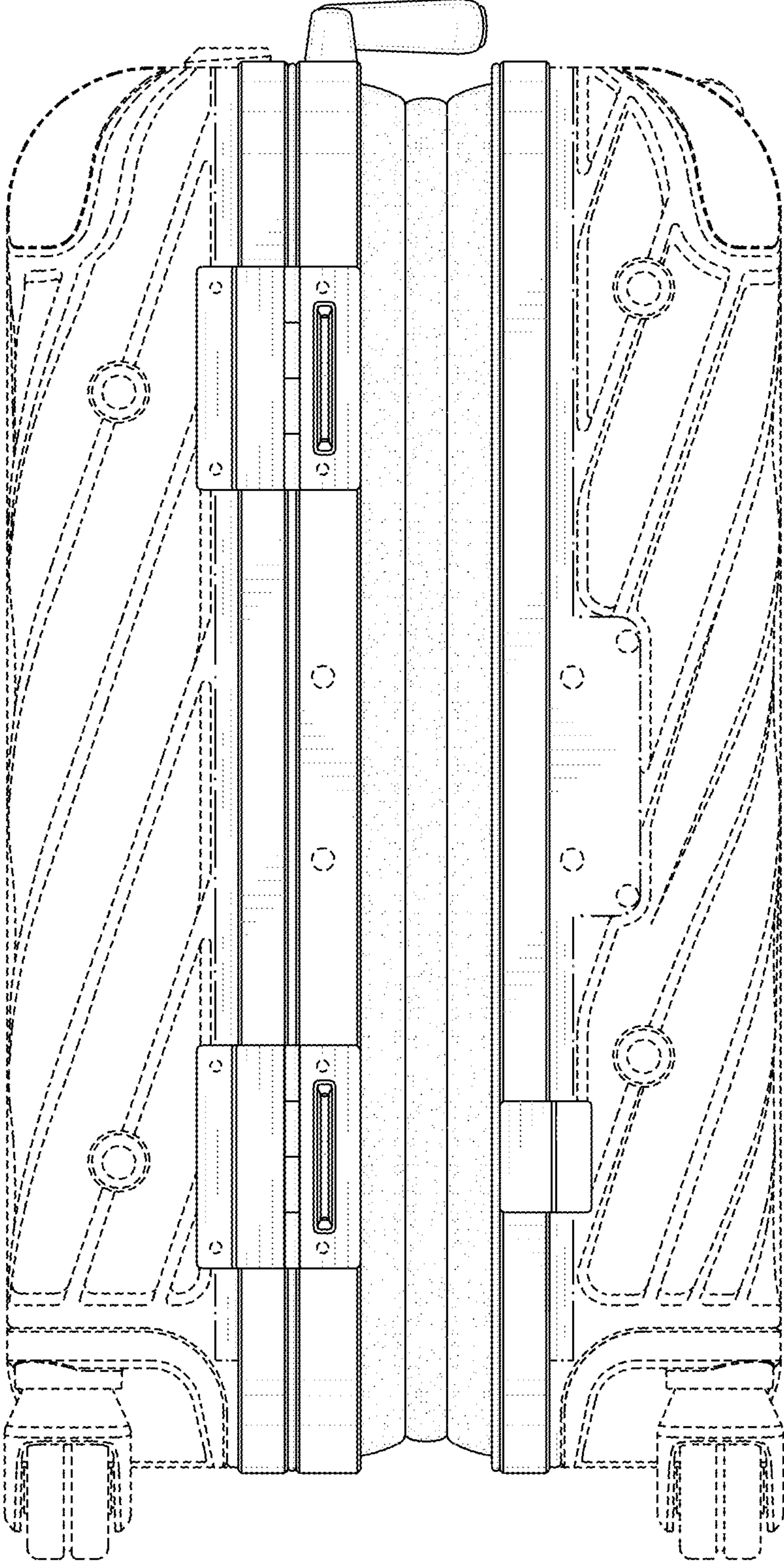


FIG. 5

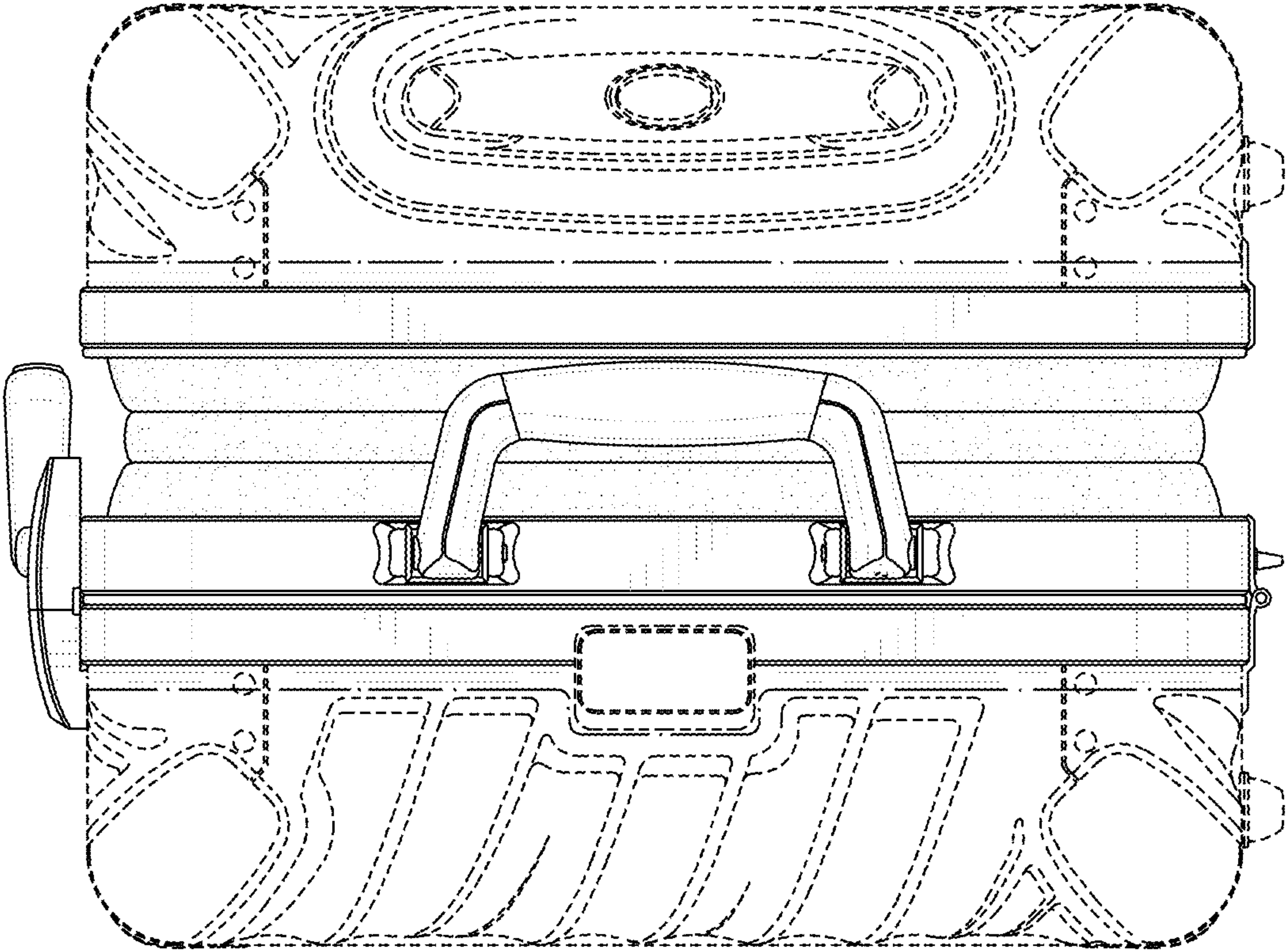


FIG. 6



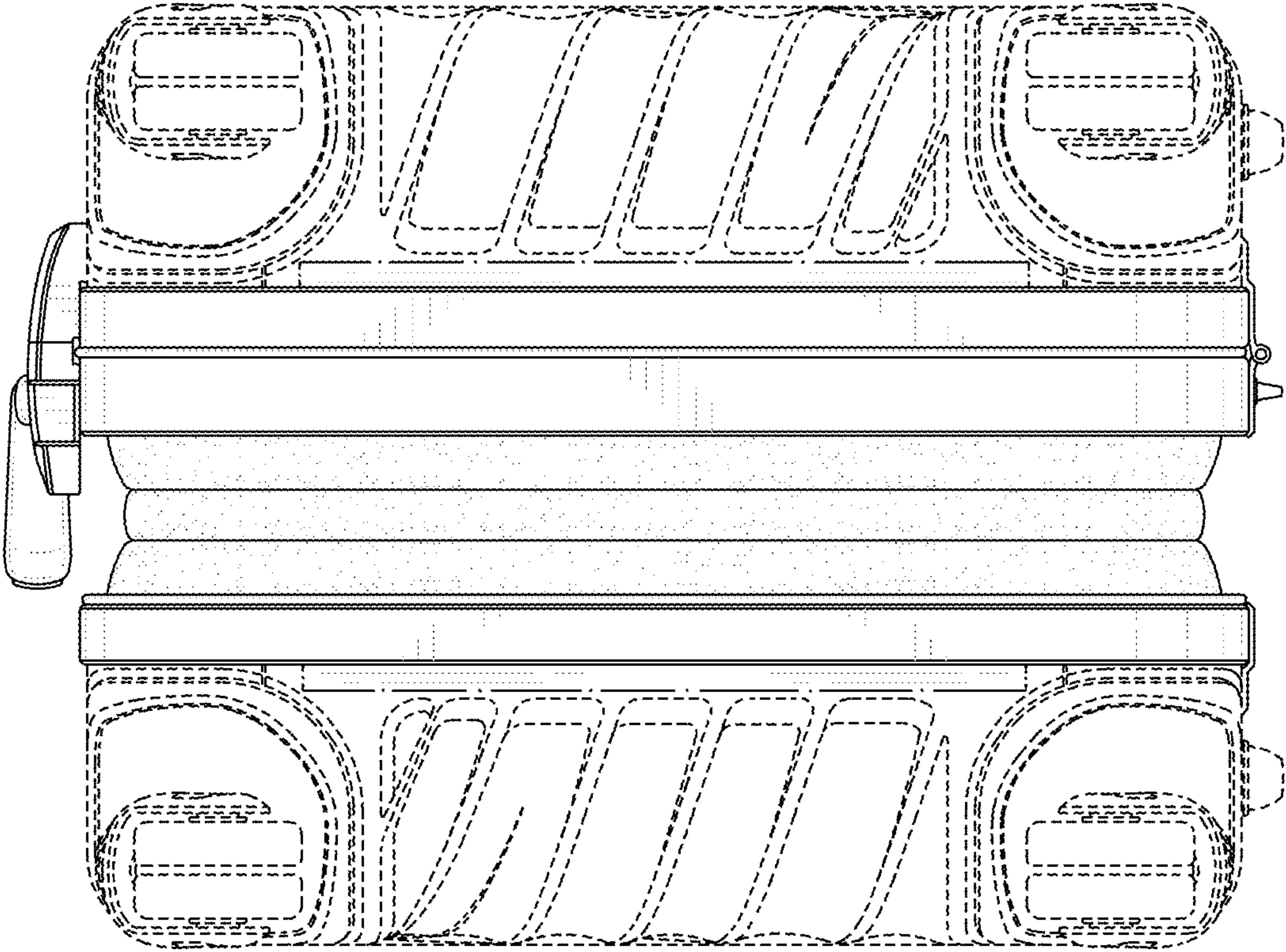


FIG. 7

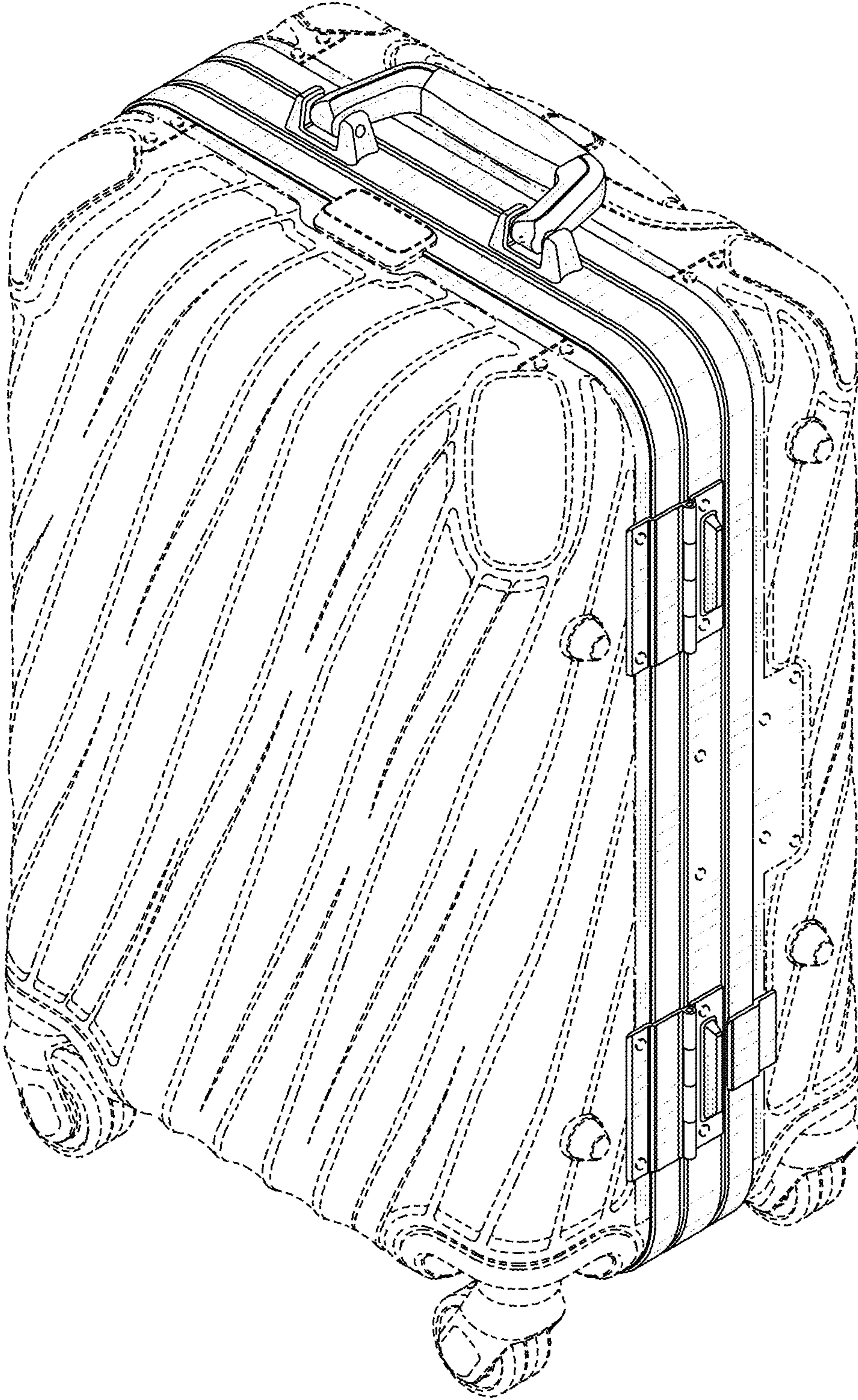


FIG. 8