



US00D977244S

(12) **United States Design Patent**
Henderson

(10) **Patent No.:** **US D977,244 S**
(45) **Date of Patent:** **** Feb. 7, 2023**

(54) **BACKPACK**

(71) Applicant: **MAH Group, Inc**, Huntington Beach,
CA (US)

(72) Inventor: **Michael A. Henderson**, Huntington
Beach, CA (US)

(**) Term: **15 Years**

(21) Appl. No.: **29/865,827**

(22) Filed: **Aug. 15, 2022**

(51) **LOC (14) Cl.** **03-01**

(52) **U.S. Cl.**
USPC **D3/217**

(58) **Field of Classification Search**
USPC D3/216, 217, 233, 259, 260, 279
CPC A45F 3/04; A45F 3/12; A45F 3/14; A45F
5/02; A45F 2003/142; A45F 2200/0591;
A45F 5/00

See application file for complete search history.

(56) **References Cited**

U.S. PATENT DOCUMENTS

D710,085 S	8/2014	Szewczyk	
D710,086 S	8/2014	Szewczyk	
D787,816 S	5/2017	Slimane	
D802,295 S	11/2017	Wu	
D843,107 S	3/2019	Swaggart	
D855,310 S	8/2019	Gonzales	
D856,662 S	8/2019	Breines	
D861,329 S	10/2019	Wei	
D866,166 S *	11/2019	Ho	D3/217
D891,759 S	8/2020	Smith	
D893,168 S	8/2020	Smith	
D912,974 S	3/2021	Breines	
D912,975 S	3/2021	Breines	
D912,976 S	3/2021	Breines	
D919,962 S *	5/2021	Shi	D3/217

D922,762 S	6/2021	He	
D936,355 S	11/2021	Webb	
D938,164 S	12/2021	Orciani	
D940,452 S *	1/2022	Bi	D3/217
D944,515 S	3/2022	Ji	
D954,428 S	6/2022	Zhou	
D956,411 S	7/2022	Jin	
2012/0024924 A1 *	2/2012	Hexels	F41H 1/02 224/576
2014/0151424 A1 *	6/2014	Hexels	A45F 3/047 224/637

OTHER PUBLICATIONS

QTQY 45 L Military Tactical Backpacks Molle Army Assault, dated on Amazon May 1, 2020, viewed Oct. 28, 2020, available at URL: https://www.amazon.com/QT-QY-Military-Tactical-Backpacks/dp/B08NF9KH46/ref=sr_1_1_sspa?crd=3U04ULIV5S1W1&keywords=QTQY+45L+Military+Tactical+Backpacks+Molle&qid=1666995451&srefix=qtqy+45l+mil.*

(Continued)

Primary Examiner — Jennifer L Watkins
(74) *Attorney, Agent, or Firm* — Cionca IP Law P.C.;
Marin Cionca

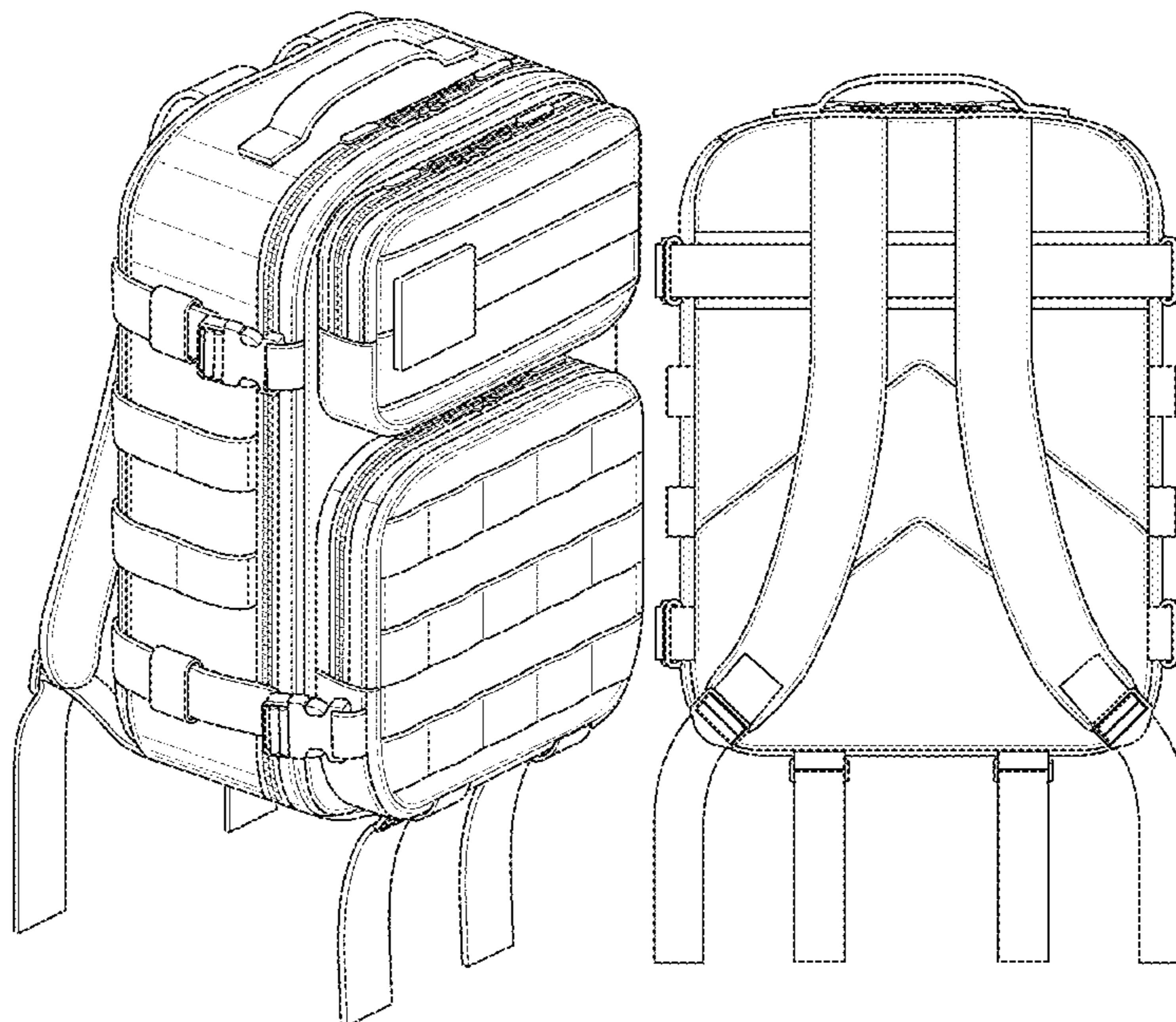
(57) **CLAIM**

The ornamental design for a backpack, as shown.

DESCRIPTION

FIG. 1 is a front perspective view showing the new design; FIG. 2 is a front level view thereof; FIG. 3 is a rear level view thereof; FIG. 4 is a right side level view thereof; FIG. 5 is left side level view thereof; FIG. 6 is a top view thereof; and, FIG. 7 is a bottom view thereof.

1 Claim, 4 Drawing Sheets



(56)

References Cited

OTHER PUBLICATIONS

G4Free 40L Military Tactical Backpack 3 Day Assault Survival Molle Pack Bug Out Bag Fishing Backpack Rucksack, Amazon date first available Oct. 16, 2018, viewed Oct. 27, 2022, available online at URL: https://www.amazon.com/G4Free-Military-Tactical-Backpack-Rucksacks/dp/B07JFCZX61/ref=sr_1_1?crid=VIB7ZG2LLKHB&keywords=G.*

Reebow Gear Military Tactical Backpack Large Army 3 Day Assault Pack Molle Bag Backpacks, Amazon date first available Sep. 19, 2019, viewed on Oct. 28, 2022, available at URL: https://www.amazon.com/REEBOW-GEAR-Military-Backpacks-Rucksacks/dp/B01KJMK4W2/ref=sr_1_1_sspa?crid=2IZXG89RKKM9K&keywords=reebow%2Bgear%2Bmilitar.*

G4Free EDC Bag Tactical Sling Bag Backpack Molle Chest Shoulder Assault Pack Rectangular Outdoor Daypack, Mar. 21, 2019, Amazon, <https://www.amazon.com/G4Free-Tactical-Backpack-Crossbody-Development/dp/B07PZTDDVF>.

Men Women Modern Hiking Backpack College Backpack For Travel—Black, Maxpedition, <https://www.walmart.com/ip/Men-Women-Modern-Hiking-Backpack-College-Backpack-For-Travel-Black/580603844>.

Men Travel Backpack, Waterproof 17 inch Business Laptop Backpack with Shoe Bag, Hidden USB charging port 50L outdoors trekking backpack For woman, Amazon, https://www.amazon.com/Capacity-Travel-Backpack-Business-Waterproof/dp/B09KTSZY5Q/ref=asc_df_B09KTSZY5Q/?tag=hyprod-20&linkCode=df0&hvadid=564824071622&hvpos=&hvnetw=g&hvrnd=13019112054817111331&hvpone=&hvptwo=&hvqmt=&hvdev=c&hvdvcmld=&hvlocint=&hvlocphy=9031066&hvtargid=pla-1651606335073&psc=1.

Hannibal Tactical Molle Assault Pack, Tactical Backpack Military Army Camping Rucksack, 3-Day Pack, Aug. 21, 2018, https://www.amazon.com/Hannibal-Tactical-Backpack-Military-Rucksack/dp/B07GPJLHV2/ref=sr_1_2?crid=10RI3Y2K70WVK&keywords=Hannibal+Tactical+Molle+Assault+Pack+Tactical+Backpack+Military+Army+Camping+Rucksack+3+Day+Pack&qid=1669056599&sprefix=hannibal+tactical+molle+assault+pack+tactical+backpack+military+army+camping+rucksack+3+day+pack%2Caps%2C336&sr=8-2.

* cited by examiner

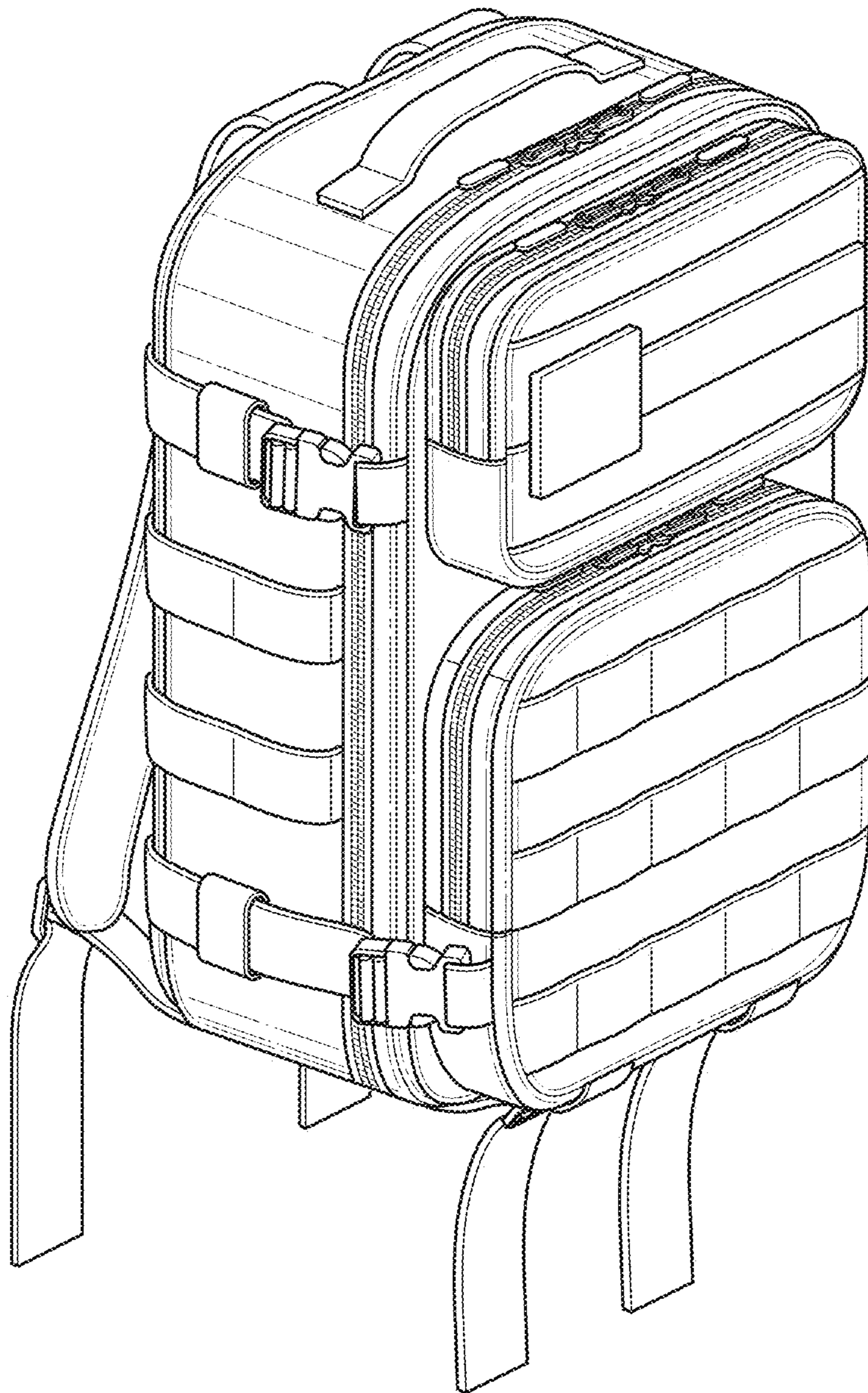


FIG. 1

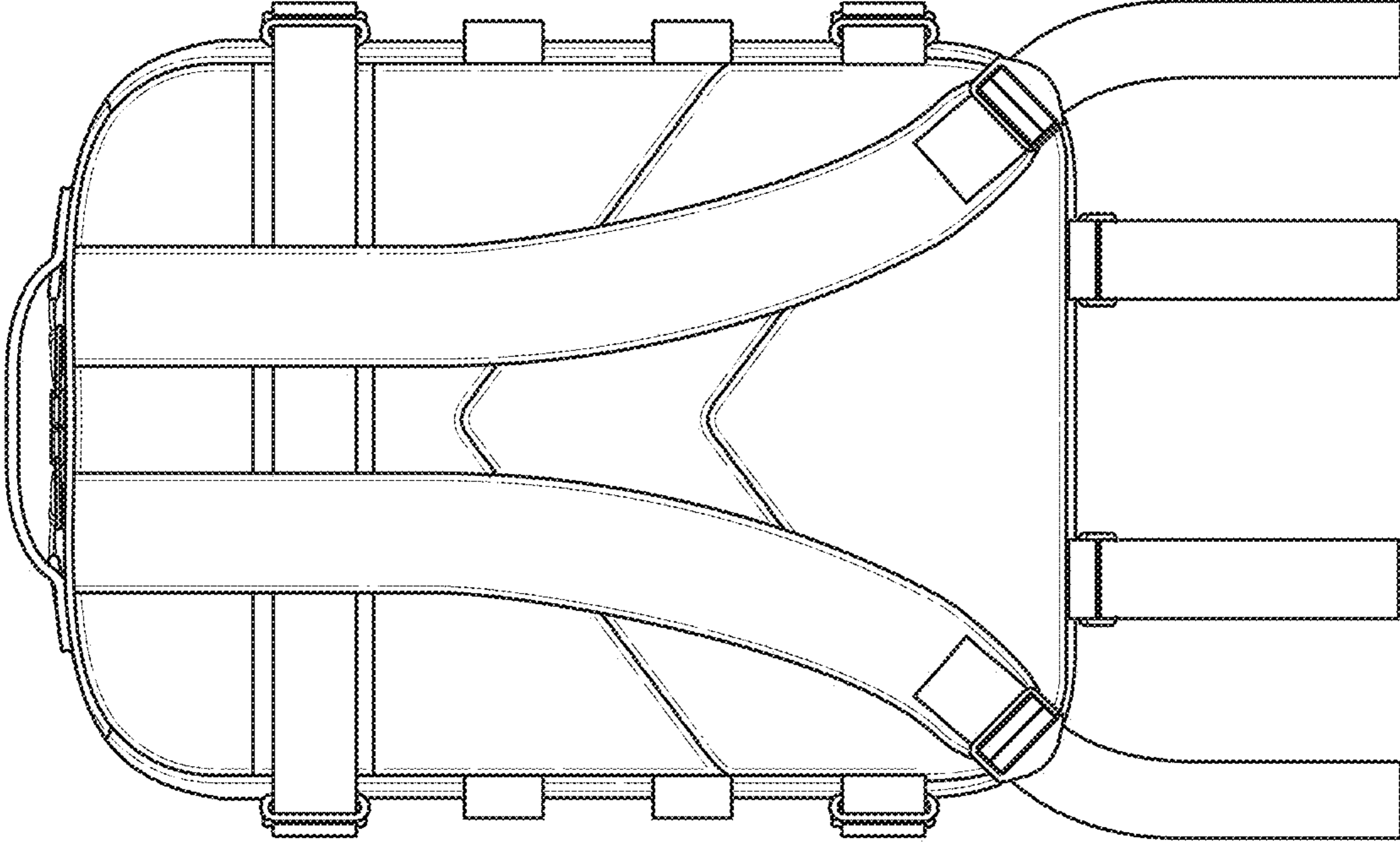


FIG. 3

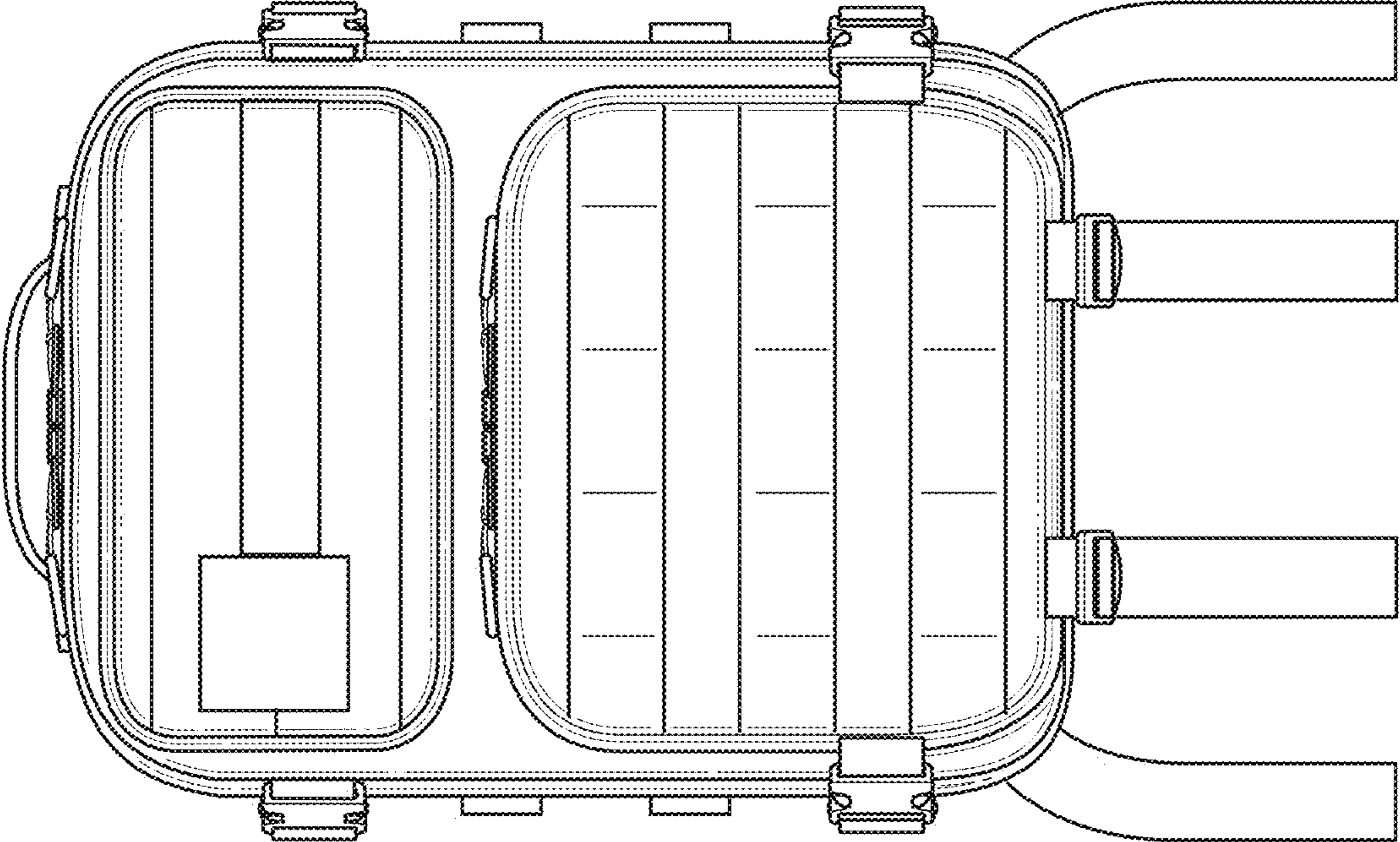


FIG. 2

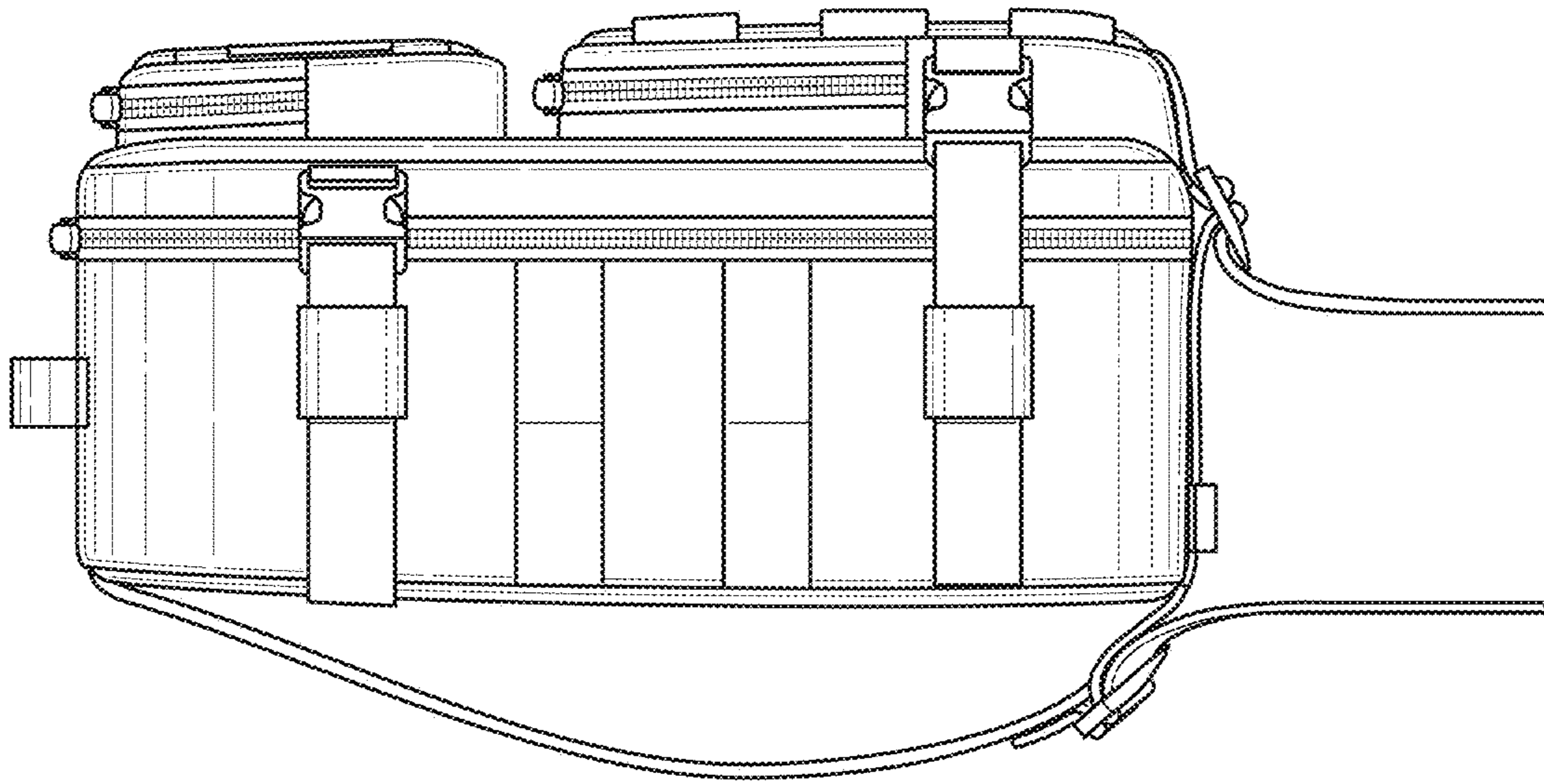


FIG. 5

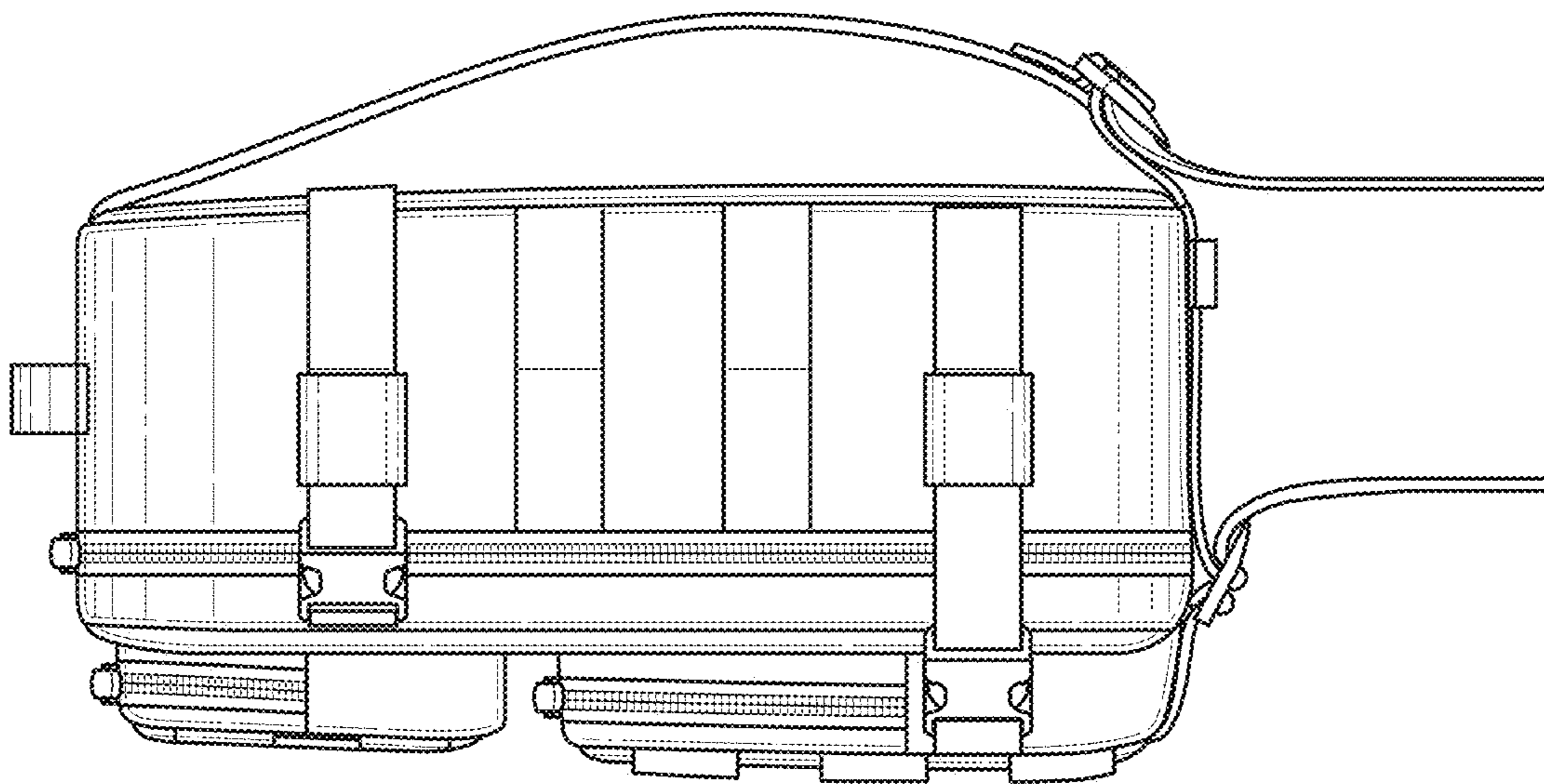


FIG. 4

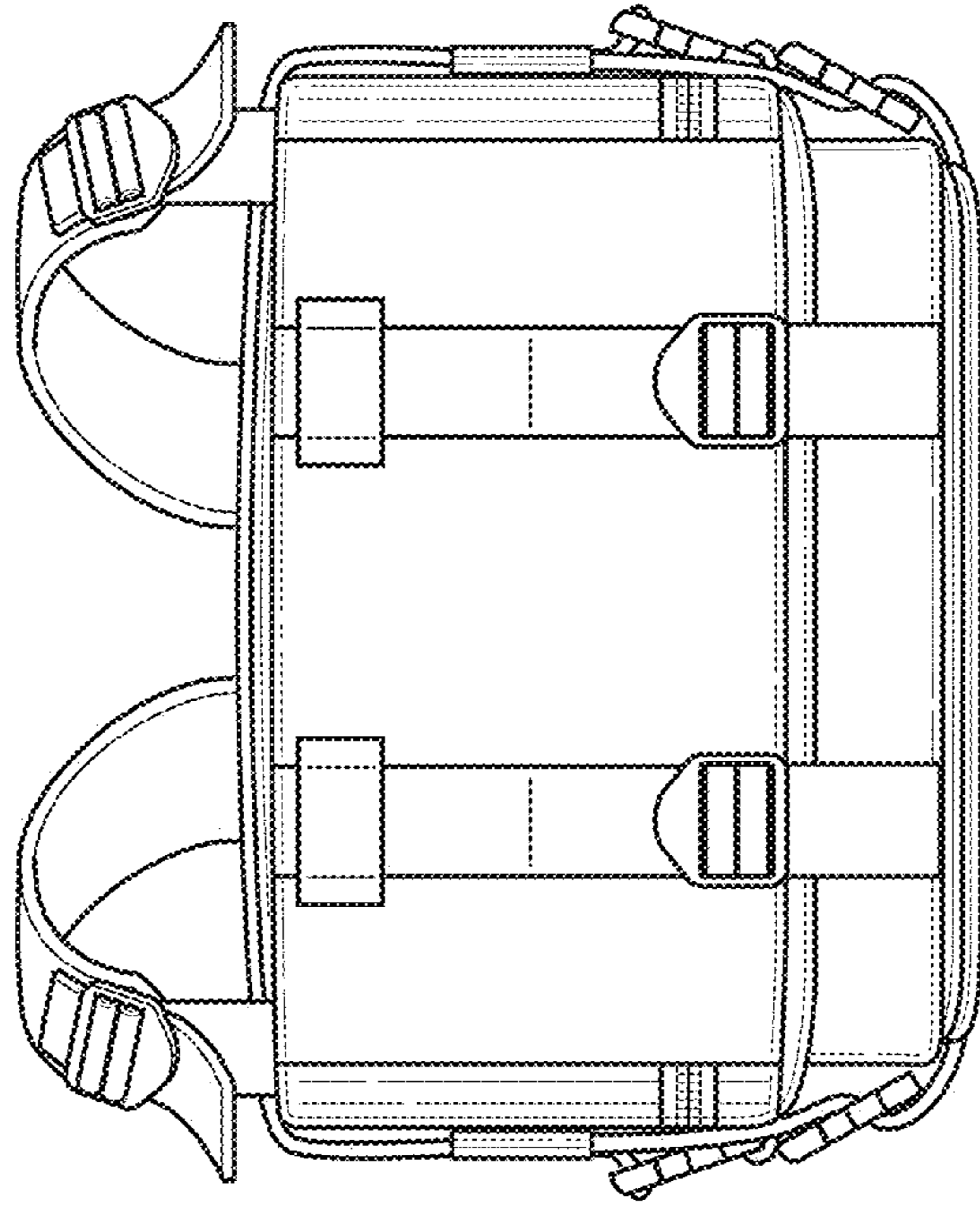


FIG. 6

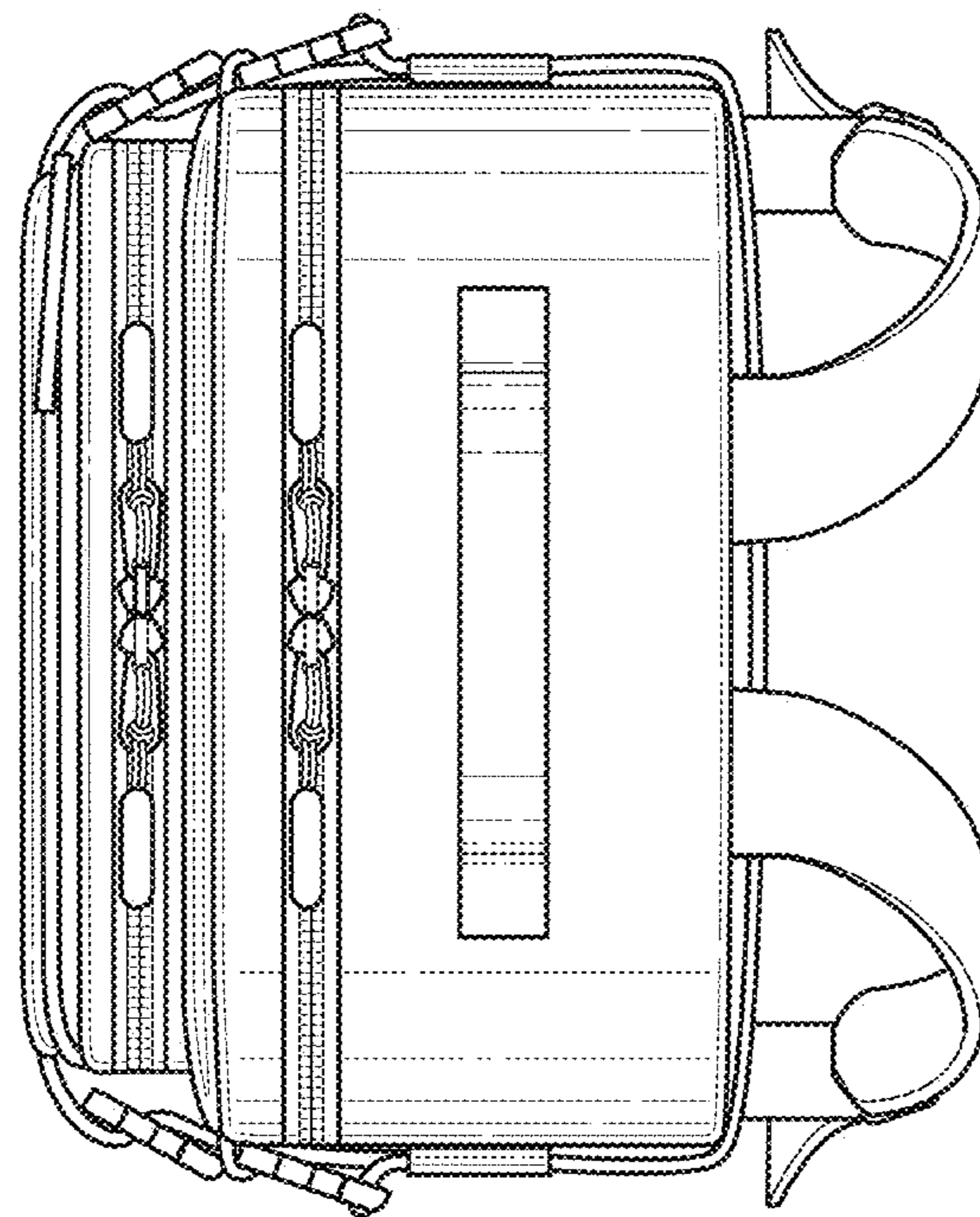


FIG. 7