



US00D977243S

(12) **United States Design Patent**  
**Brummett et al.**

(10) **Patent No.:** **US D977,243 S**

(45) **Date of Patent:** **\*\* Feb. 7, 2023**

(54) **MEDICAL DEVICE STORAGE BAG**

(71) Applicant: **Stryker Corporation**, Kalamazoo, MI (US)

(72) Inventors: **Jeremy Edward Brummett**, Redmond, WA (US); **Christopher G. Alviar**, Seattle, WA (US); **Jeremy Wong**, Redmond, WA (US)

(73) Assignee: **Stryker Corporation**, Kalamazoo, MI (US)

(\*\*) Term: **15 Years**

(21) Appl. No.: **29/774,881**

(22) Filed: **Mar. 19, 2021**

(51) **LOC (14) Cl.** ..... **03-01**

(52) **U.S. Cl.**  
USPC ..... **D3/203.1**

(58) **Field of Classification Search**  
USPC ..... D3/214-226, 230-233, 242-244, 254, D3/201, 203.1, 203.2, 203.3, 203.4, D3/203.5, 203.6, 203.7, 203.8  
CPC .... A45F 3/00; A45F 3/005; A45F 3/02; A45F 3/04; A45F 3/042; A45F 3/047; A45F 3/06; A45F 3/08; A45F 3/10; A45F 2003/001; A45F 2003/002; A45F 2003/003; A45F 2003/006; A45F 2003/007; A45F 2003/008; A45F 2003/025; A45F 2003/045; A45F 2200/00; A45F 2200/05; A45F 2200/0525; A45F 2200/0533  
See application file for complete search history.

(56) **References Cited**

**U.S. PATENT DOCUMENTS**

D136,560 S \* 10/1943 Lebaigue ..... D3/243  
D152,530 S \* 2/1949 Hampel ..... D3/231  
D224,074 S \* 6/1972 Harmon, Jr. .... D3/231

D244,853 S \* 6/1977 Cordell, Jr. .... D3/230  
D327,167 S \* 6/1992 Franklin ..... D3/901  
D351,281 S \* 10/1994 Petryk ..... D3/226

(Continued)

**FOREIGN PATENT DOCUMENTS**

CN 3412747 \* 12/2004  
CN 304648348 \* 5/2018

(Continued)

**OTHER PUBLICATIONS**

Physio Control Lifepak 15 TOUGH.flv, available at youtube.com, posted Jan. 8, 2010 [online], site visited Apr. 27, 2022, available from the internet URL: <https://www.youtube.com/watch?v=k7YZr5Lnq1o&t=14s> (Year: 2010).\*

(Continued)

*Primary Examiner* — Messina L Smith

*Assistant Examiner* — Jillian Mazzola

(74) *Attorney, Agent, or Firm* — Lee & Hayes, P.C.

(57) **CLAIM**

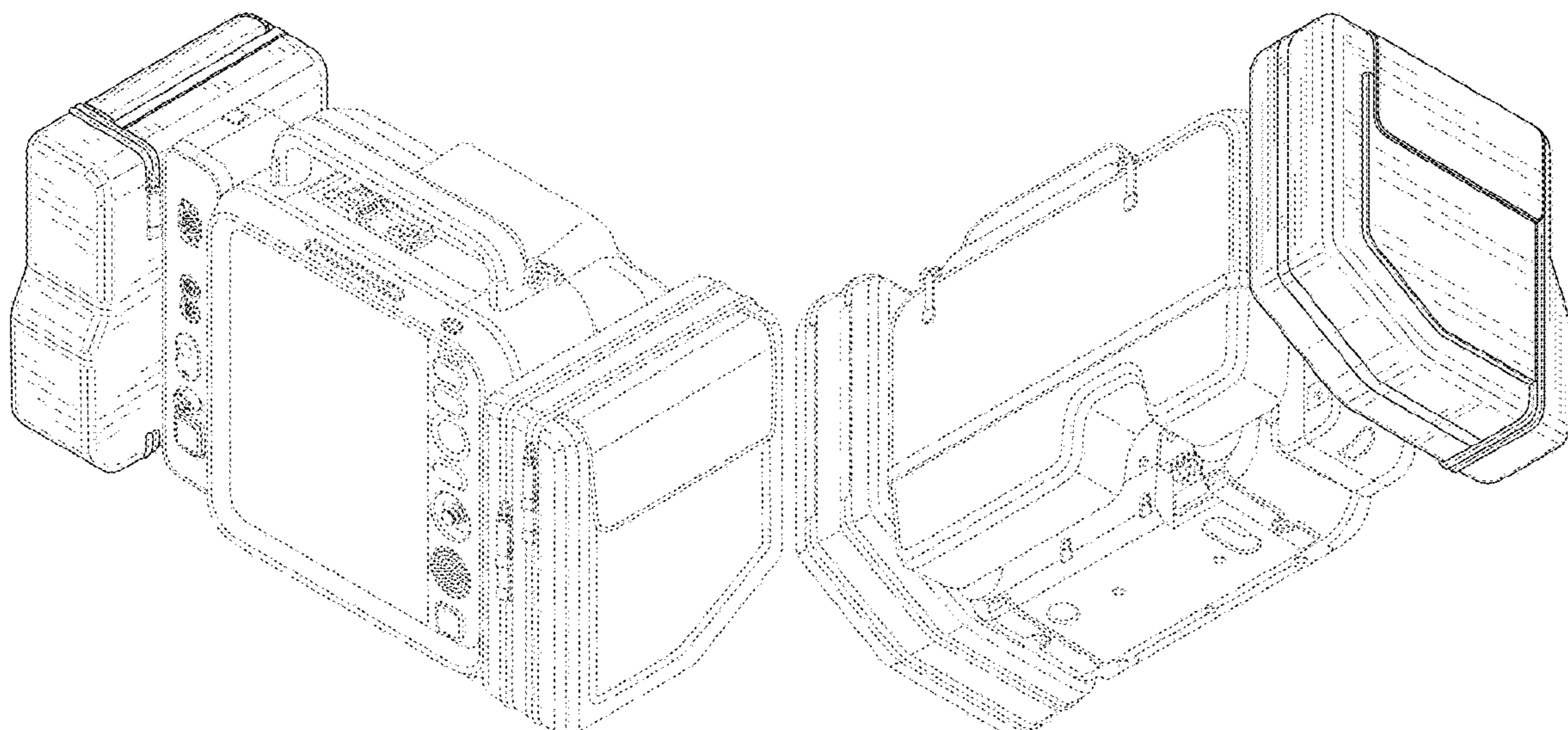
The ornamental design for a medical device storage bag, as shown and described.

**DESCRIPTION**

FIG. 1 is a top, front, right-side perspective view of a medical device storage bag showing the new design; FIG. 2 is a bottom, back, left-side perspective view thereof; FIG. 3 is a front view thereof; FIG. 4 is a back view thereof; FIG. 5 is a right-side view thereof; FIG. 6 is a left-side view thereof; FIG. 7 is a top view thereof; and, FIG. 8 is a bottom view thereof.

The dashed broken lines depict portions of the medical device storage bag that form no part of the claimed design.

**1 Claim, 8 Drawing Sheets**



(56)

References Cited

U.S. PATENT DOCUMENTS

5,409,153	A *	4/1995	Ristich .....	A45C 1/04 D3/238
D360,015	S *	7/1995	Cosby .....	D22/139
D367,173	S *	2/1996	Trihus .....	D3/217
D375,197	S *	11/1996	Laherty .....	D3/218
D382,705	S *	8/1997	Tatsumi .....	D3/218
5,766,042	A	6/1998	Ries et al.	
D408,993	S *	5/1999	Kliot .....	D3/217
D466,688	S *	12/2002	Hassett .....	D3/218
D623,398	S *	9/2010	Meiser .....	D3/203.1
D630,428	S *	1/2011	Hong .....	D3/222
D681,324	S *	5/2013	Mohr .....	D3/217
D710,602	S *	8/2014	Alamdar .....	D3/231
D767,877	S *	10/2016	Halko .....	D3/203.1
D774,750	S *	12/2016	Stark .....	D3/216
D796,189	S *	9/2017	Zhang .....	D3/218
D796,194	S *	9/2017	Scranton .....	D3/222
D819,960	S *	6/2018	Zhang .....	D3/218
D840,681	S *	2/2019	Verver .....	D3/243
D912,390	S *	3/2021	Hyun .....	D3/273
D919,962	S *	5/2021	Shi .....	D3/217
D937,567	S *	12/2021	Eisenhardt .....	D3/217
D945,312	S *	3/2022	Michael .....	F41C 33/041 D3/222
2016/0100887	A1	4/2016	Wu et al.	
2021/0290968	A1	9/2021	Alviar et al.	

FOREIGN PATENT DOCUMENTS

CN	305294305	*	8/2019
KR	301109726.0000	*	5/2021
KR	301150229.0000	*	2/2022

OTHER PUBLICATIONS

Zoll X Series Carrying Case, available at coastbiomed.com, date not available [online], site visited Apr. 27, 2022, available from the internet URL: [https://coastbiomed.com/product/zoll-x-series-carrying-case/?gclid=EAlalQobChMI1eqQkJvY9wIVk7jlCh00OgZuEAQYAiABEgJcm\\_D\\_BwE](https://coastbiomed.com/product/zoll-x-series-carrying-case/?gclid=EAlalQobChMI1eqQkJvY9wIVk7jlCh00OgZuEAQYAiABEgJcm_D_BwE) (Year: 2022).\*

Small Zippered Accessory Pouch, available at shednecks.com, date not available [online], site visited Apr. 27, 2022, available from the internet URL: <https://shednecks.com/marsupial-gear-small-zippered-accessory-pouch/> (Year: 2022).\*

Johnson Level Mag Angle Locator 2 Button, available at lowes.com, earliest customer review date Aug. 6, 2017 [online], site visited Apr. 27, 2022, available from the internet URL: <https://www.lowes.com/pd/Johnson-Level-Magnetic-Digital-Angle-Locator/1000085673> (Year: 2017).\*

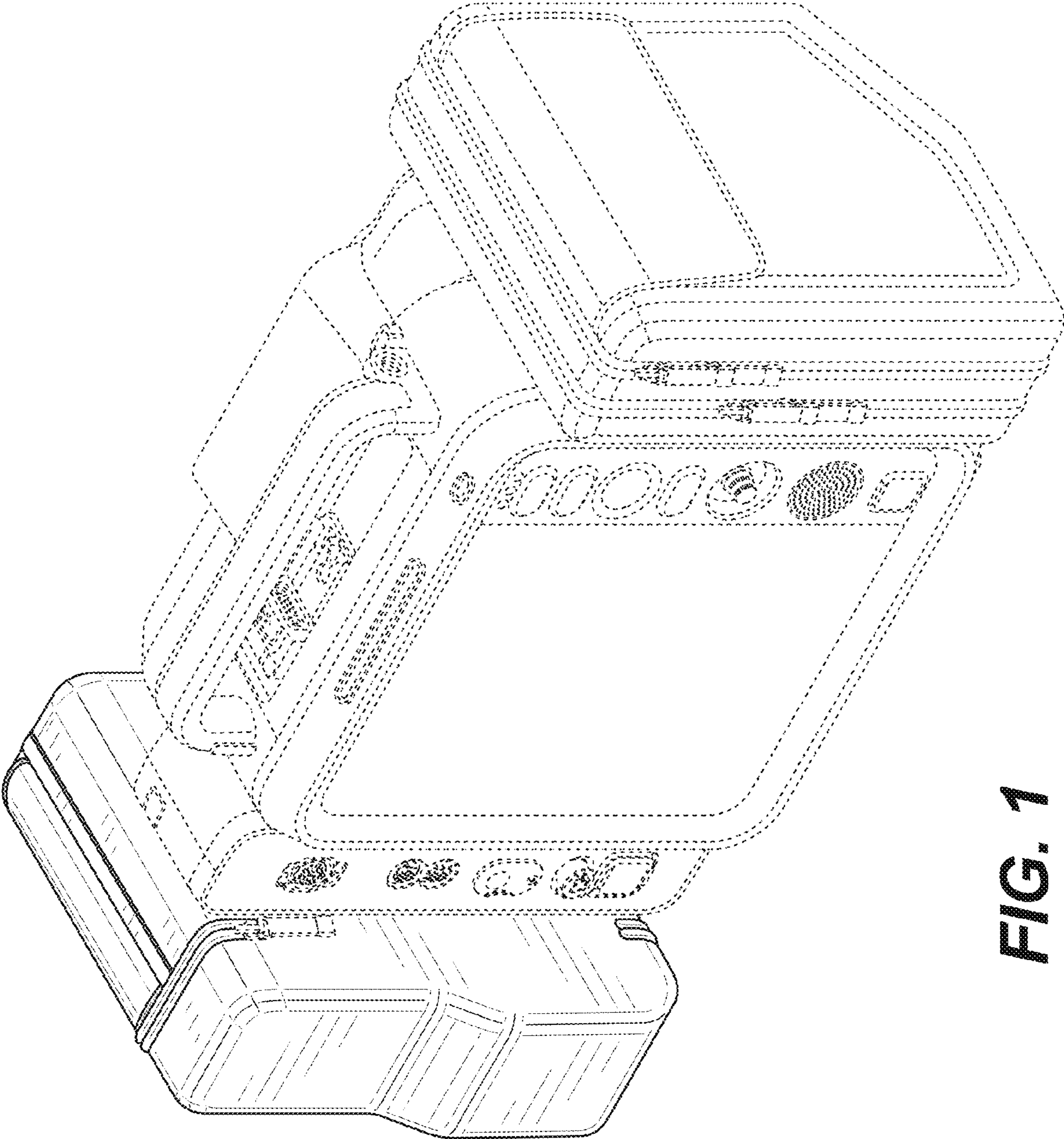
Extended European Search Report dated Aug. 16, 2021 for European Patent Application No. 21163663.4, 7 pages.

Phoenixcontact, Plug Guard Security Frame—FL Plug Guard RD, retrieved on Aug. 6, 2021 from <<<https://4donline.ihs.com/images/VipMasterIC/IC/PCON/PCON-S-A0000016077/PCON-S-A0000018134-1.pdf?hkey=52A5661711E402568146F3353EA87419>>>, Oct. 10, 2014, 2 pages.

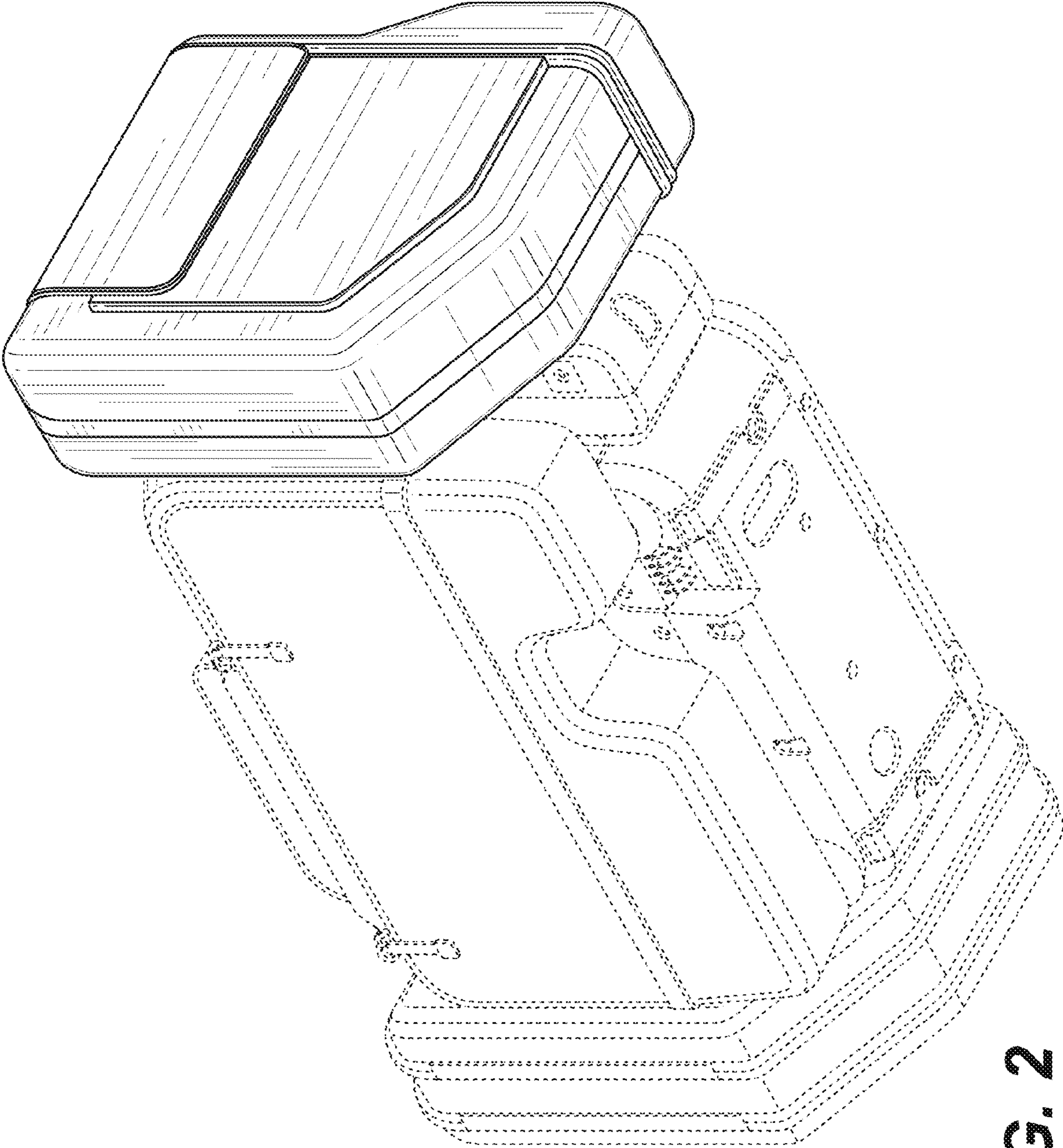
Physio-Control, “Notice of Intent to Sole Source Award”, retrieved on Aug. 6, 2021 from <<[https://www.physio-control.com/uploadedFiles/Physio85/Contents/Healthcare\\_Professionals/Accessories\\_and\\_Disposals/LP15-Acc-Danish-3310824\\_D.pdf](https://www.physio-control.com/uploadedFiles/Physio85/Contents/Healthcare_Professionals/Accessories_and_Disposals/LP15-Acc-Danish-3310824_D.pdf)>>, Sep. 26, 2011, pp. 1-16.

Zoll, “Bedienerhandbuch”, retrieved on Aug. 6, 2021 from <<<https://www.defi.help/wp-content/uploads/2017/10/Bedienerhandbuch.pdf>>>, Mar. 31, 2016, 48 pages.

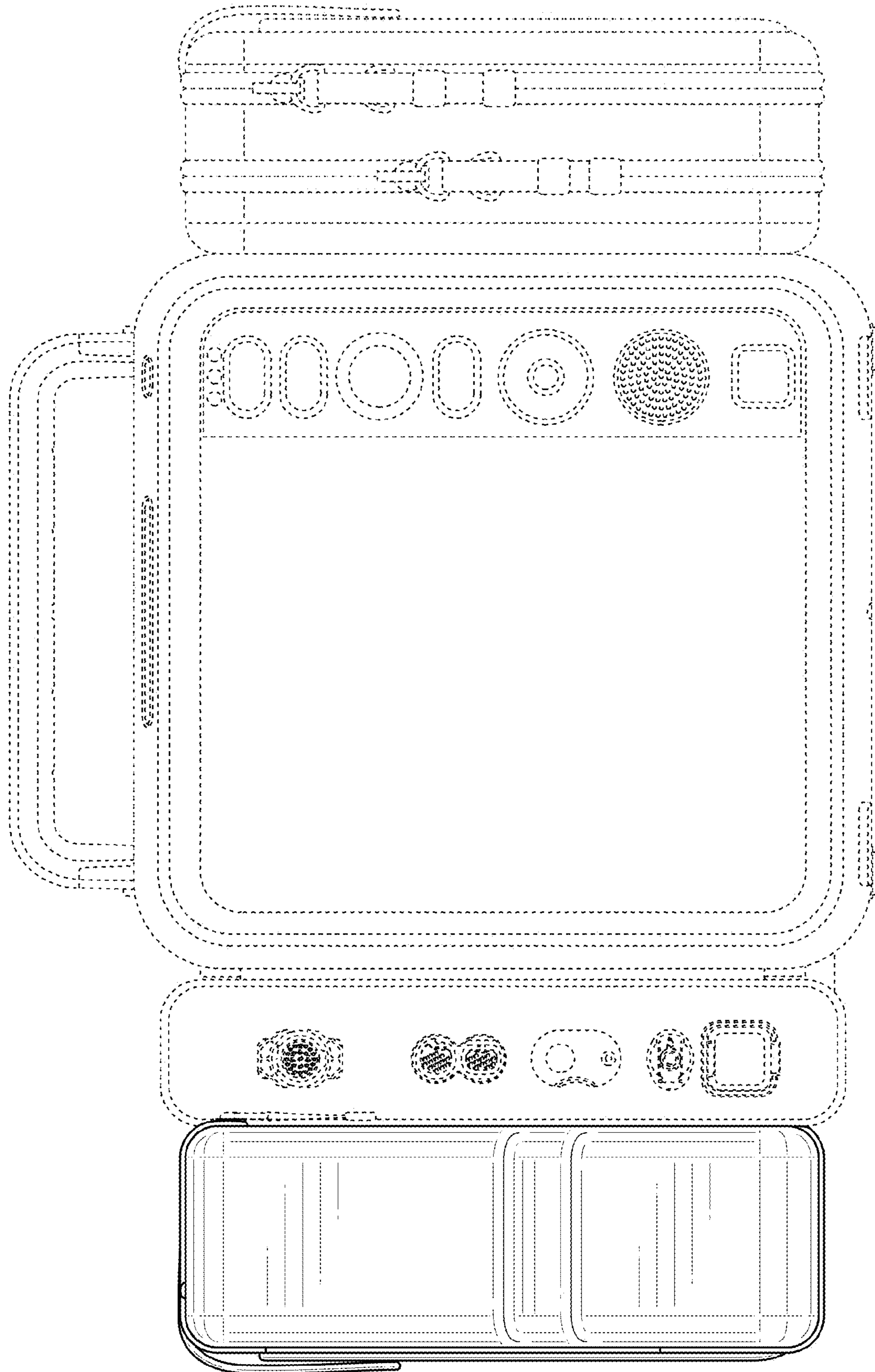
\* cited by examiner



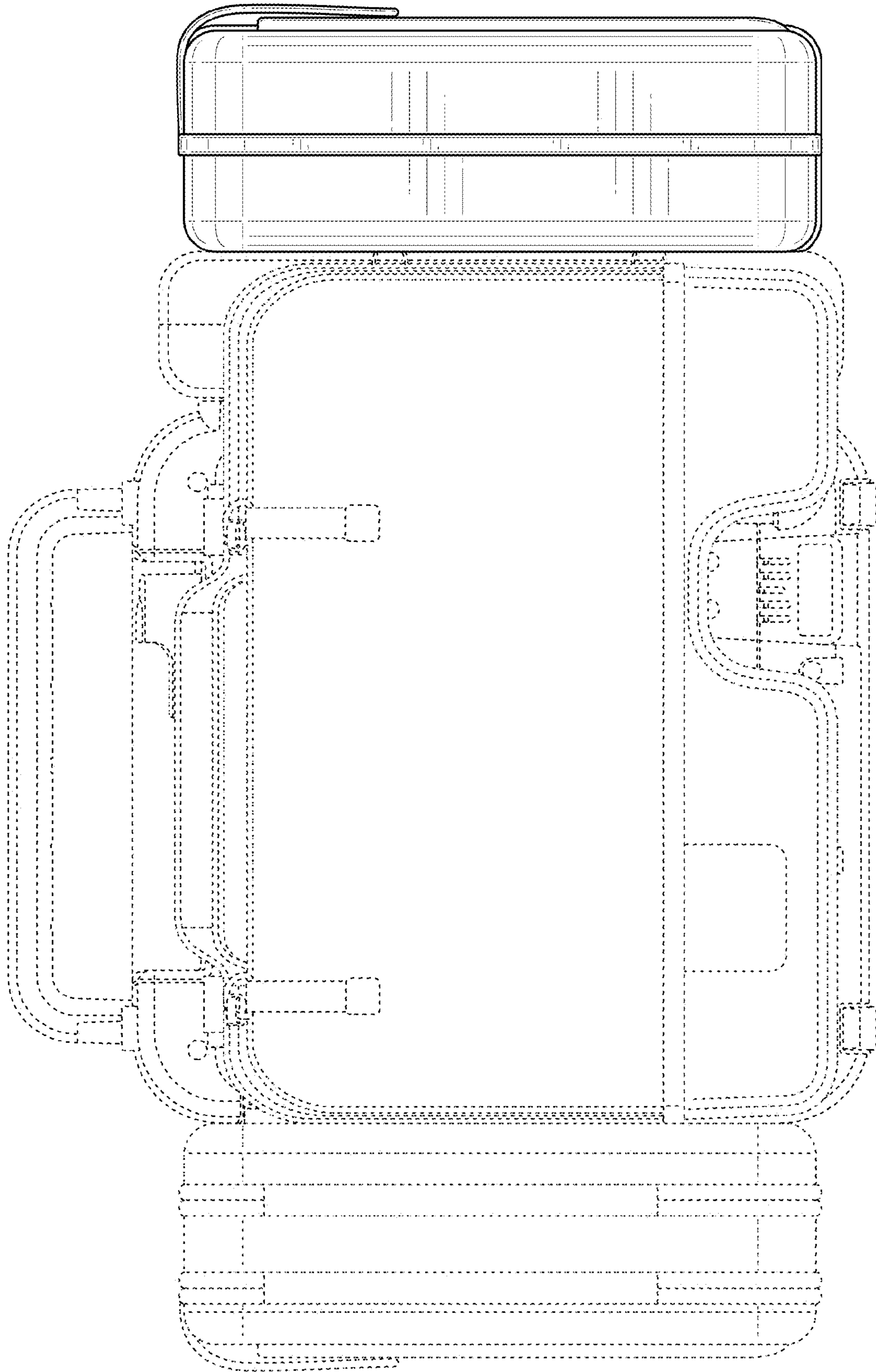
**FIG. 1**



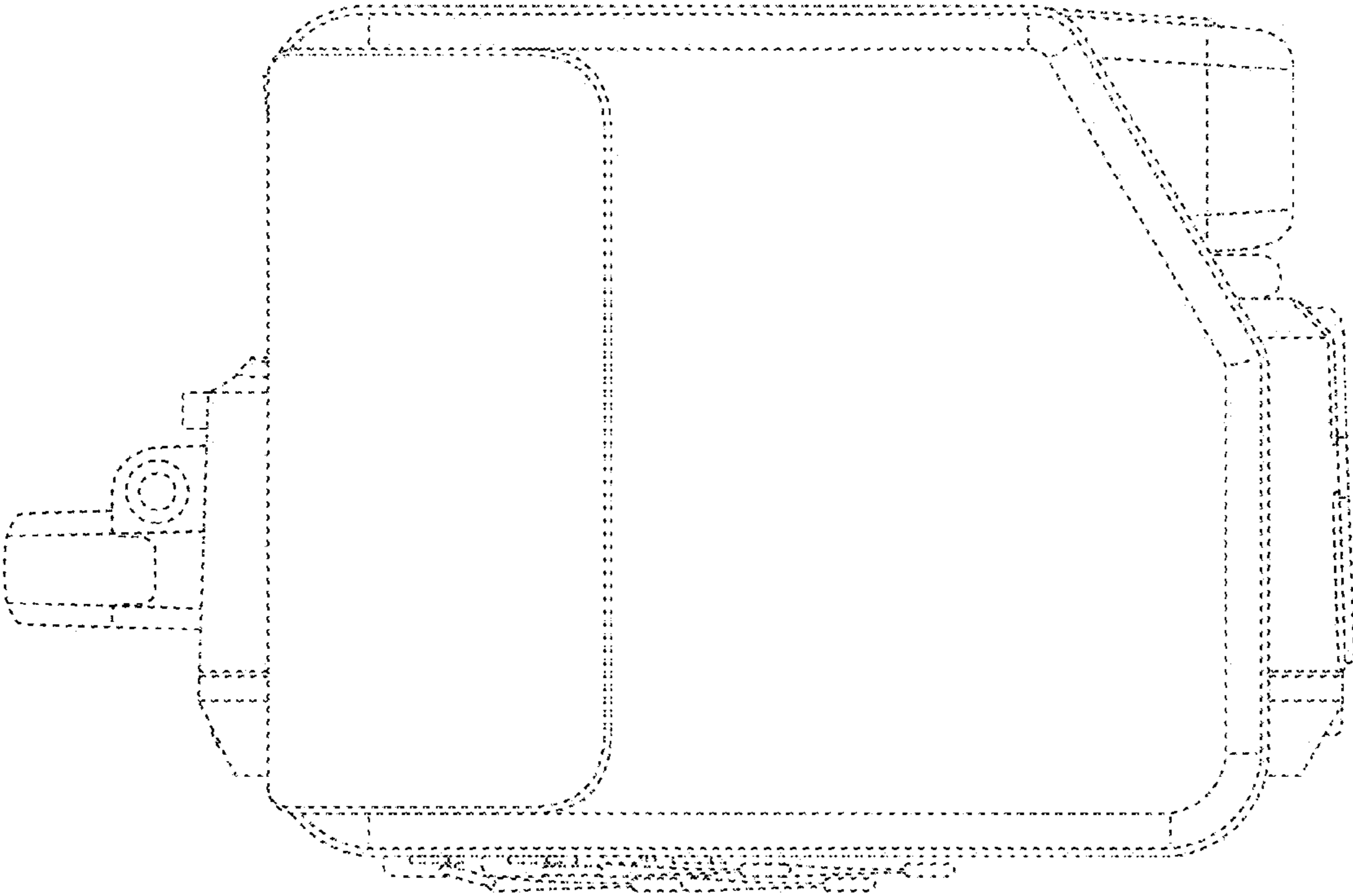
**FIG. 2**



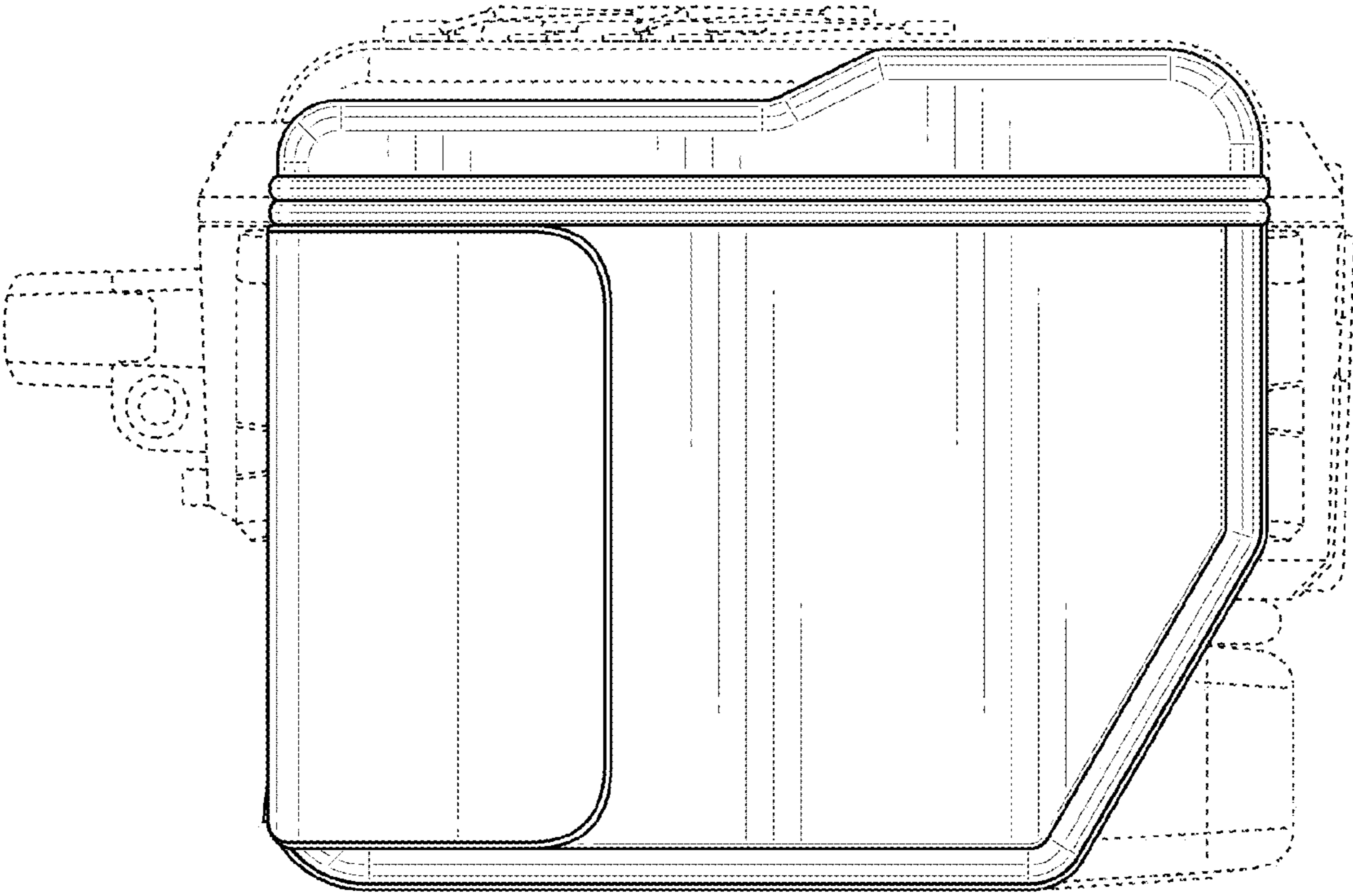
**FIG. 3**



**FIG. 4**

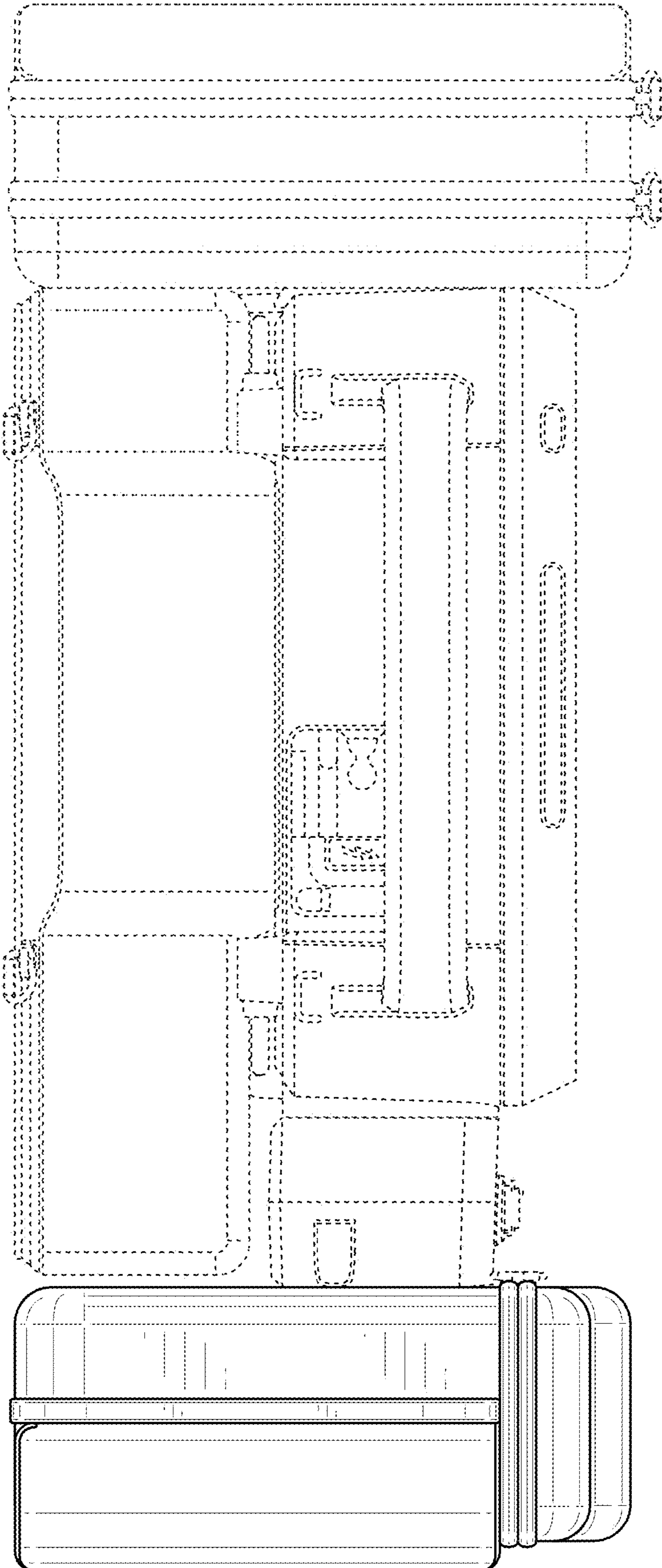


**FIG. 5**

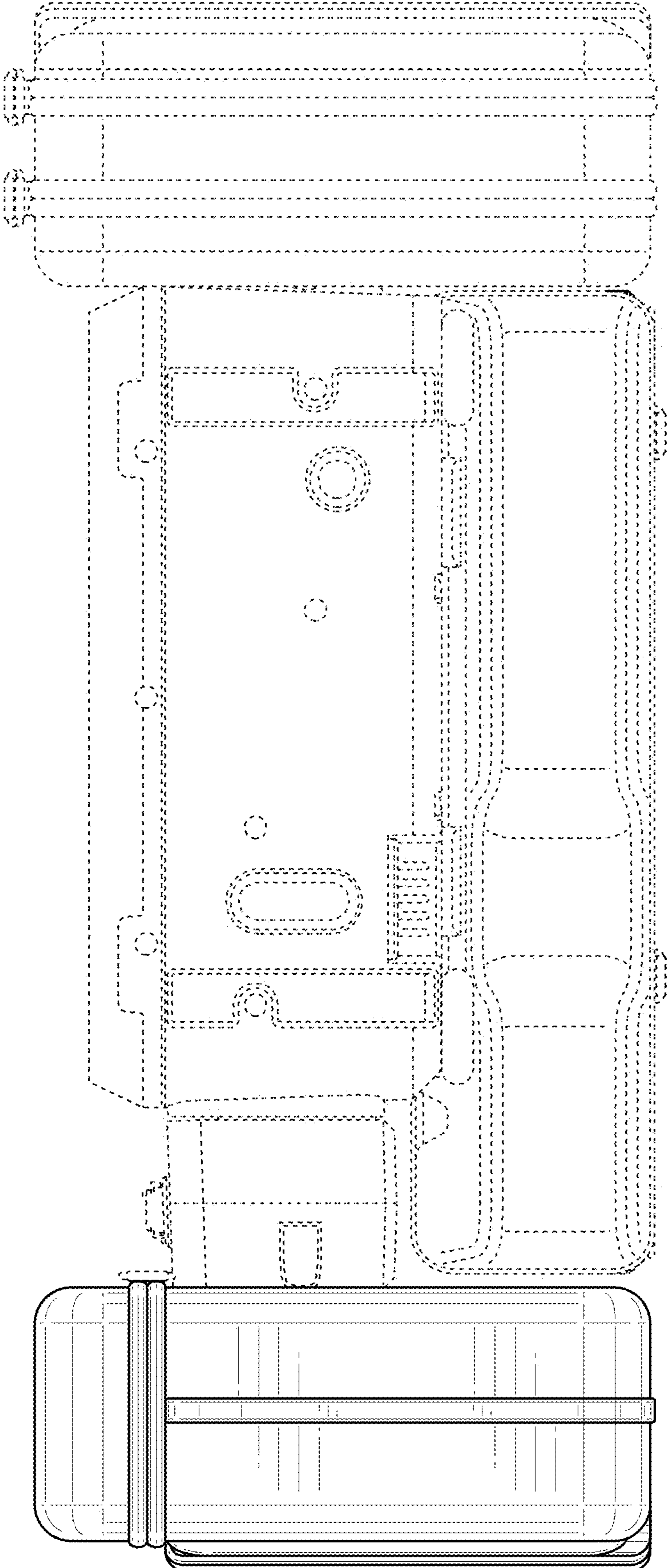


**FIG. 6**





**FIG. 7**



**FIG. 8**