



US00D977230S

(12) **United States Design Patent** (10) **Patent No.:** **US D977,230 S**  
**Laverty et al.** (45) **Date of Patent:** **\*\* \*Feb. 7, 2023**

(54) **FOOTWEAR**

(71) Applicant: **The North Face Apparel Corp.**,  
Wilmington, DE (US)

(72) Inventors: **Grégoire Laverty**, Thorens Glières  
(FR); **Cyrille Moranges**, Lyons (FR)

(73) Assignee: **The North Face Apparel Corp.**,  
Wilmington, DE (US)

(\*) Notice: This patent is subject to a terminal disclaimer.

(\*\*) Term: **15 Years**

(21) Appl. No.: **29/743,699**

(22) Filed: **Jul. 23, 2020**

(51) **LOC (14) Cl.** ..... **02-04**

(52) **U.S. Cl.**  
USPC ..... **D2/944**; D2/953

(58) **Field of Classification Search**  
USPC ..... D2/896, 898, 900, 902–908, 923, 969,  
D2/972–974  
CPC .... A43B 5/00; A43B 5/10; A43B 5/06; A43B  
23/00  
See application file for complete search history.

(56) **References Cited**

**U.S. PATENT DOCUMENTS**

4,735,003	A	4/1988	Dykeman	
D347,724	S *	6/1994	Teague	D2/969
D350,013	S *	8/1994	Gitelman	D2/902
6,931,768	B2	8/2005	Baek	
8,291,619	B2	10/2012	Haroutioun	
D753,906	S *	4/2016	Kasprzak	D2/907
D774,287	S *	12/2016	Taestensen	D2/908
D794,918	S *	8/2017	Bove	D2/902
D796,160	S *	9/2017	Guichot	D2/902

D829,430 S \* 10/2018 Petrenka ..... D2/972  
2003/0115776 A1 6/2003 Young  
2010/0050475 A1 3/2010 Benz  
(Continued)

**OTHER PUBLICATIONS**

R. Brough, et al.; “Measurement of the Coefficient of Friction of Floors”; Journal of Physics D: Applied Physics; vol. 12, No. 4; Apr. 14, 1979; p. 517-528.

(Continued)

*Primary Examiner* — Rashida C. Walshon  
(74) *Attorney, Agent, or Firm* — Smith, Gambrell & Russell LLP

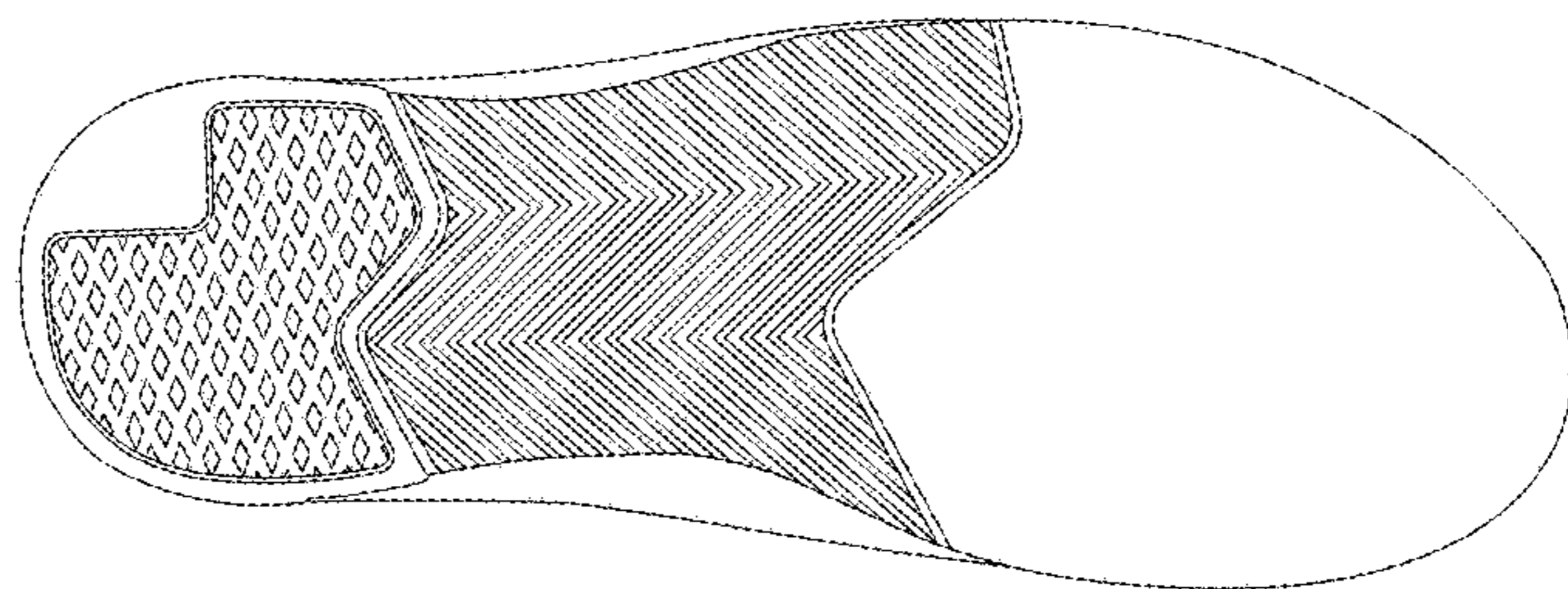
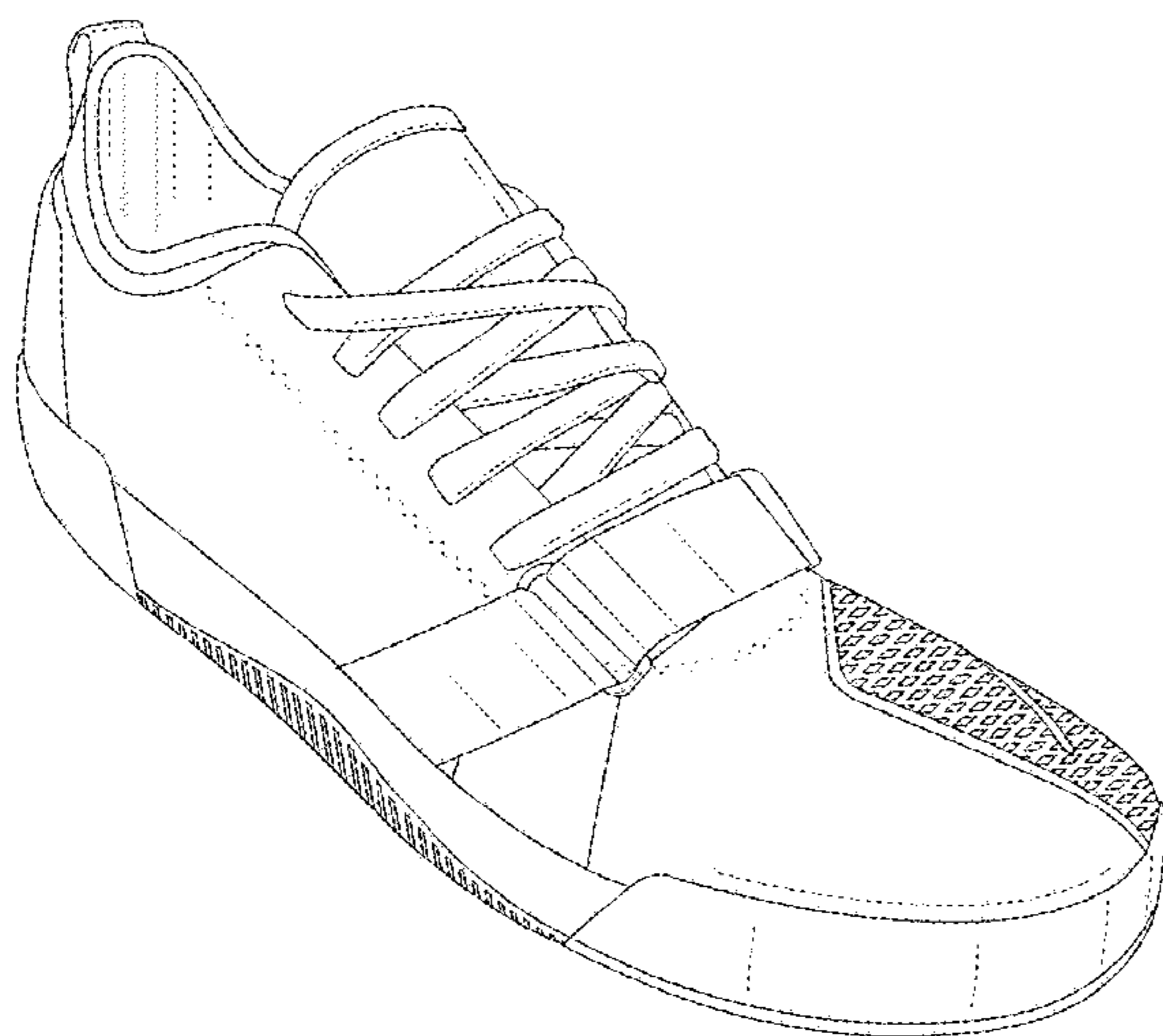
(57) **CLAIM**

The ornamental design of footwear, as shown and described.

**DESCRIPTION**

FIG. 1 is a front perspective view of footwear according to a first embodiment;  
FIG. 2 is a front elevation view of the footwear of FIG. 1;  
FIG. 3 is a rear elevation view of the footwear of FIG. 1;  
FIG. 4 is a top view of the footwear of FIG. 1;  
FIG. 5 is a bottom view of the footwear of FIG. 1;  
FIG. 6 is a left side view of the footwear of FIG. 1; and  
FIG. 7 is a right side view of the footwear of FIG. 1.  
FIG. 8 is a front perspective view of footwear according to a second embodiment;  
FIG. 9 is a front elevation view of the footwear of FIG. 8;  
FIG. 10 is a rear elevation view of the footwear of FIG. 8;  
FIG. 11 is a top view of the footwear of FIG. 8;  
FIG. 12 is a bottom view of the footwear of FIG. 8;  
FIG. 13 is a left side view of the footwear of FIG. 8; and,  
FIG. 14 is a right side view of the footwear of FIG. 8.  
The broken lines shown in the drawings depict environmental subject matter and form no part of the claimed design.

**1 Claim, 8 Drawing Sheets**



(56)

**References Cited**

U.S. PATENT DOCUMENTS

2012/0198728 A1 8/2012 Farrelly  
2015/0040436 A1 2/2015 Clerc et al.  
2015/0374066 A1 12/2015 Farrelly  
2020/0068993 A1 3/2020 Atwell et al.  
2020/0121022 A1 4/2020 Edwards et al.

OTHER PUBLICATIONS

M. Kandeve, et al.; "Friction Behavior Produced in the Course of a Contact Enabled Between Composite Materials and Eco-Friendly Soles Prototypes Made of Elastomeric Material with Regard to Ice-Covered Surface"; Tribology in Industry; vol. 41, No. 1; 2019; p. 90-99.

International Search Report and Written Opinion dated Nov. 10, 2021 for International Application No. PCT/US2021/042655; 14 pages.

\* cited by examiner

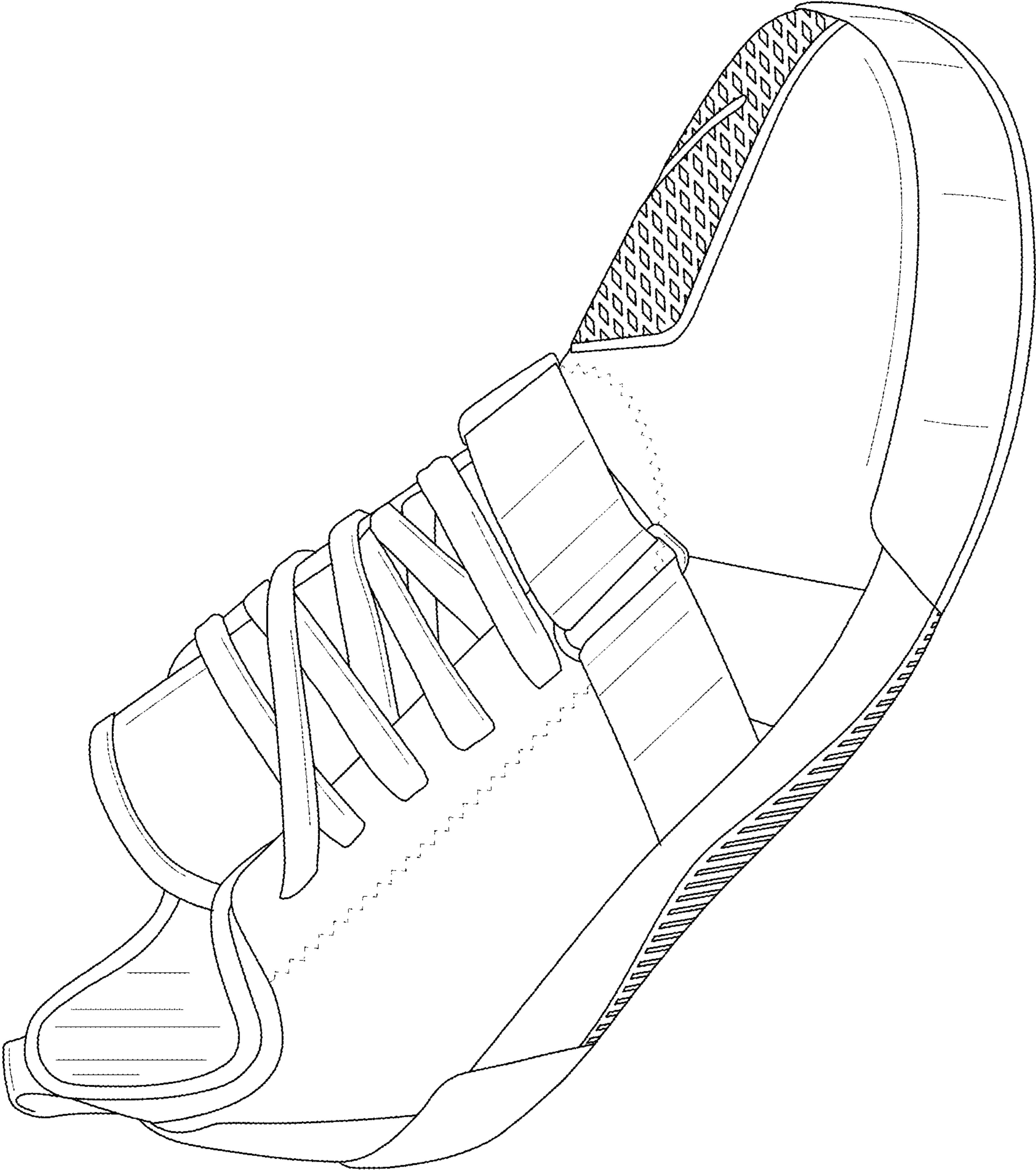


FIG. 1

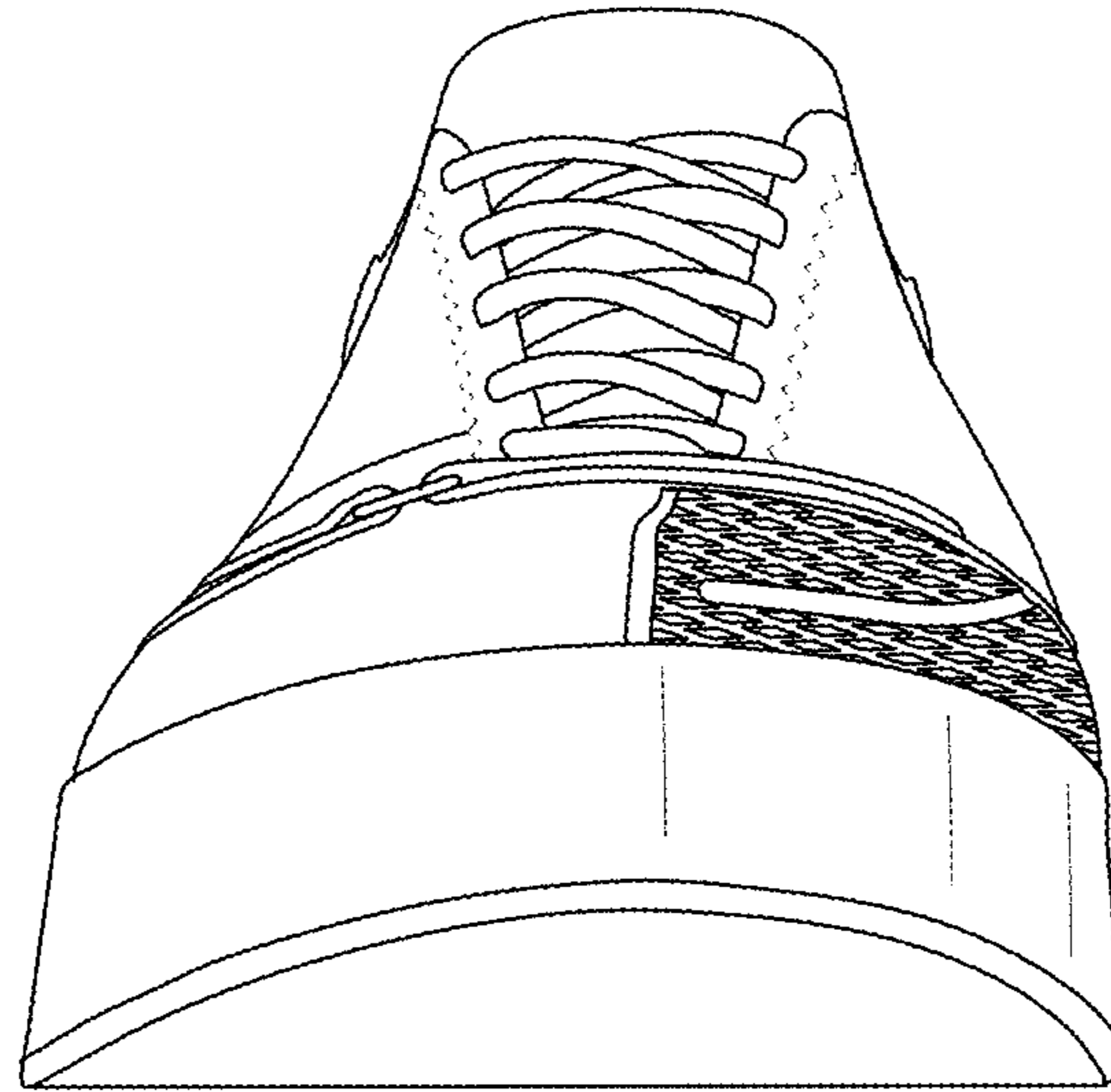


FIG. 2

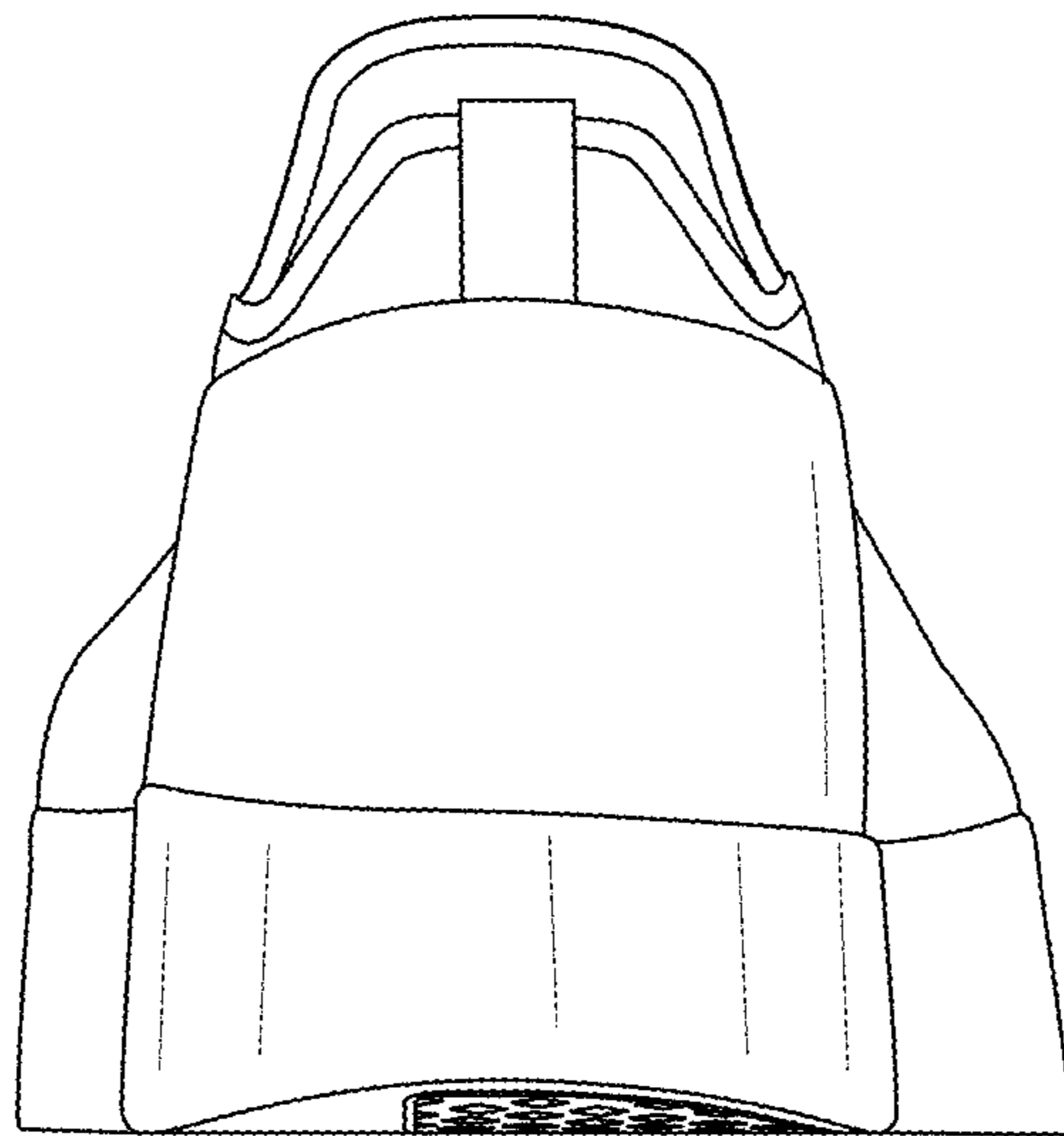


FIG. 3



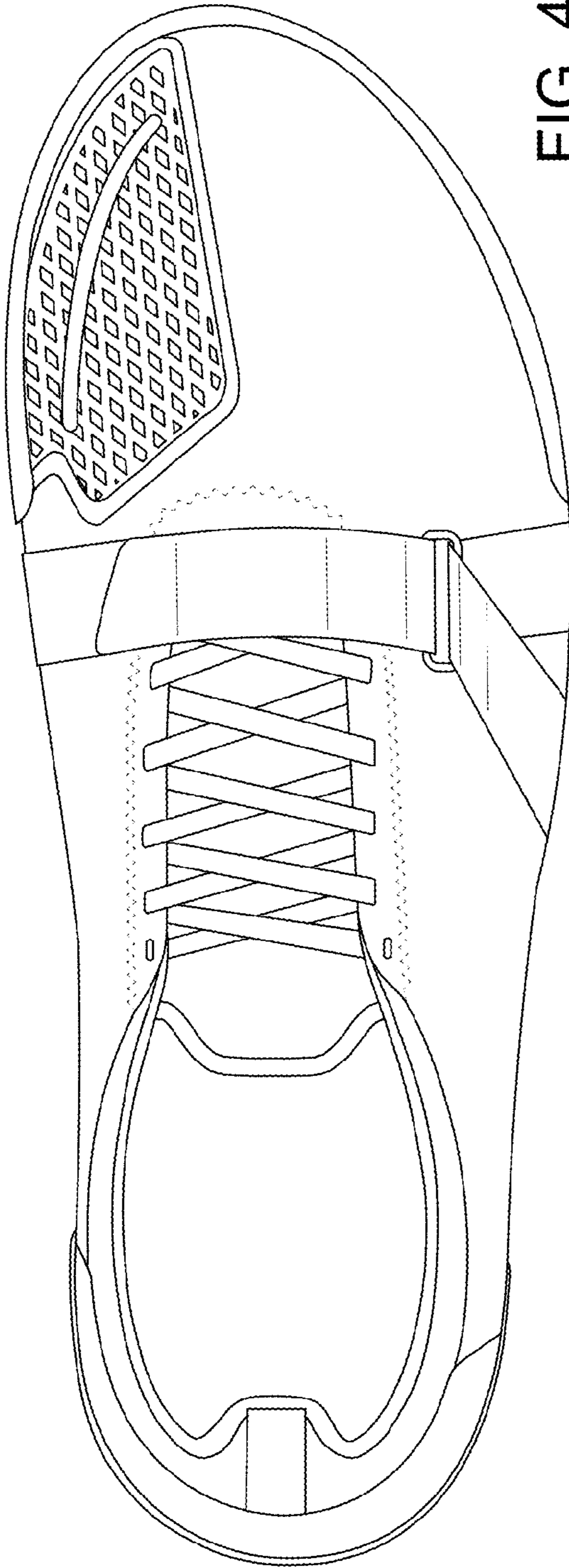


FIG. 4

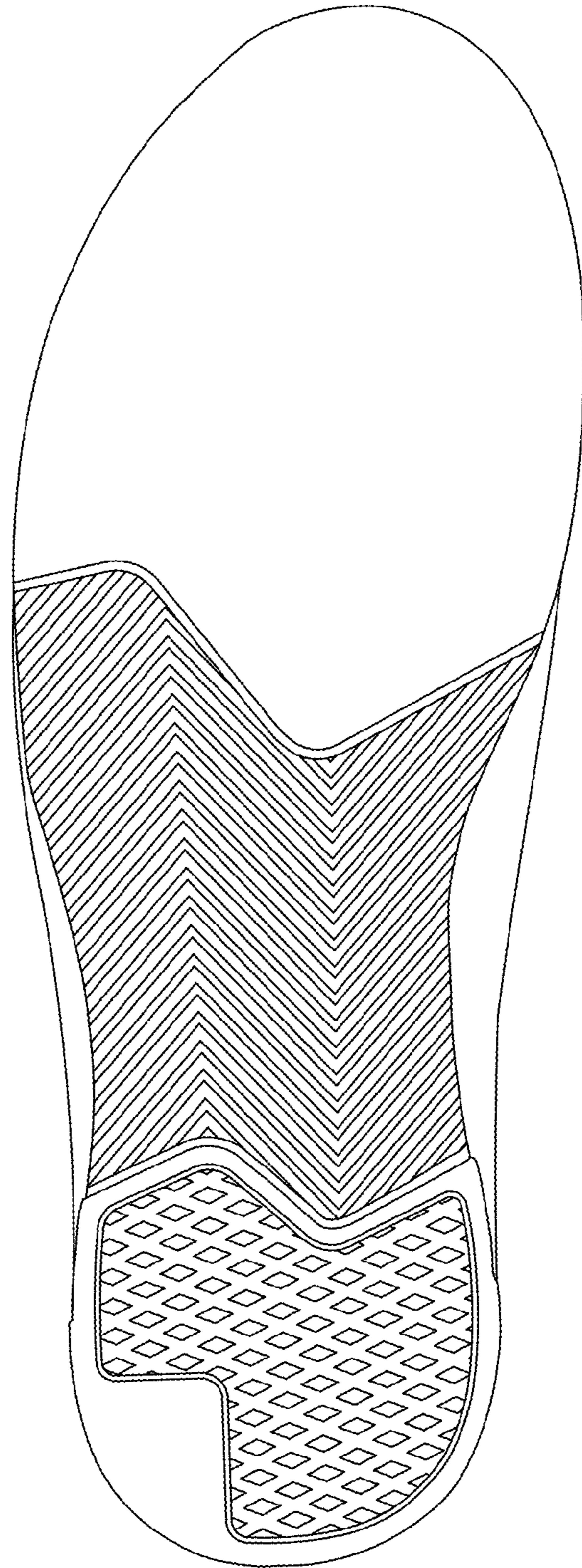


FIG. 5

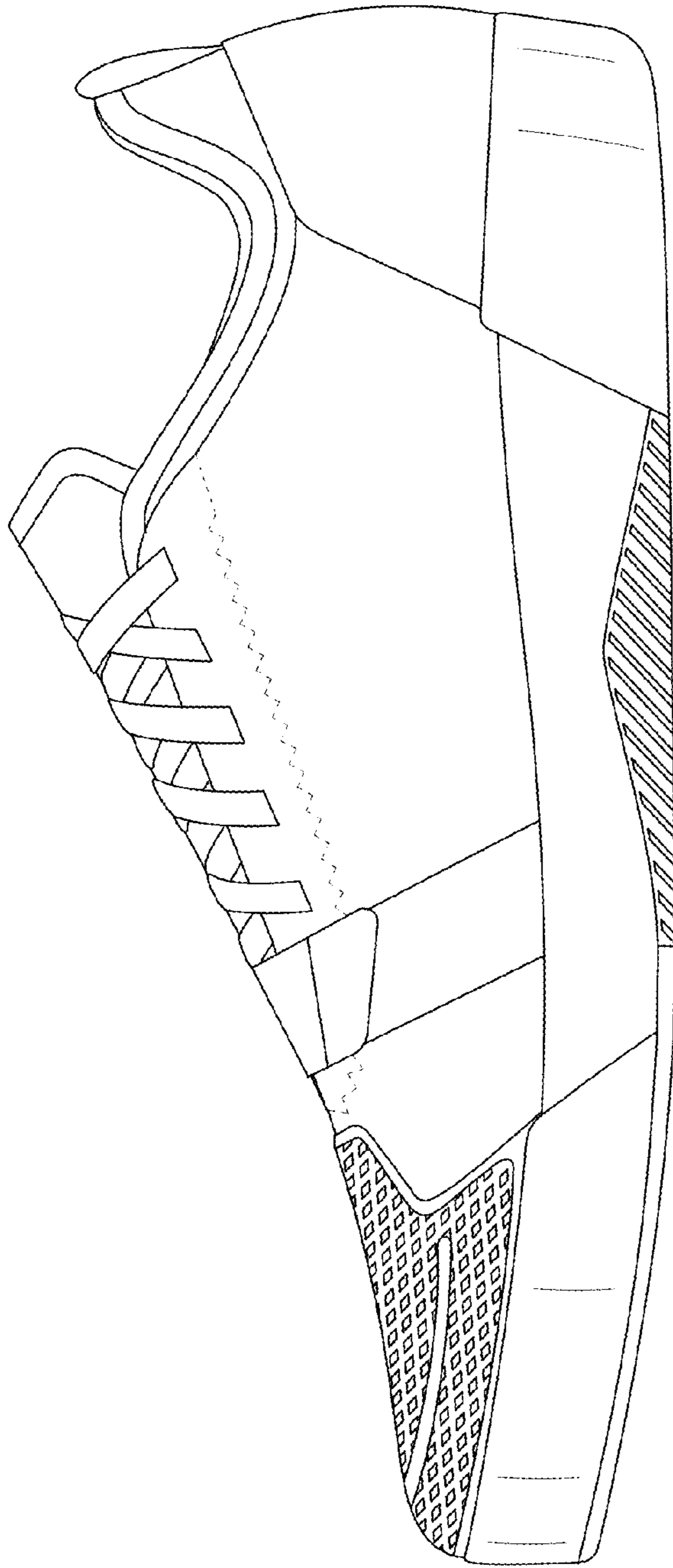


FIG. 6

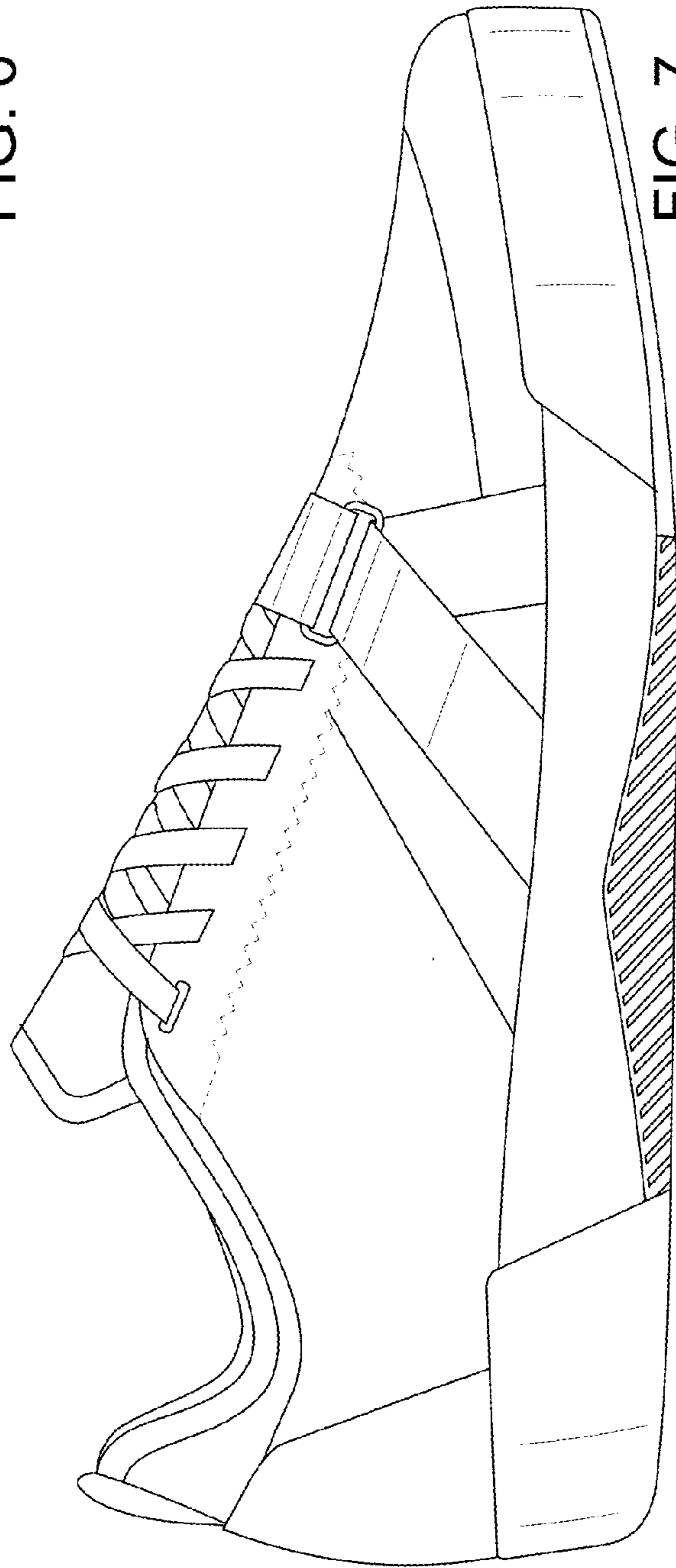


FIG. 7

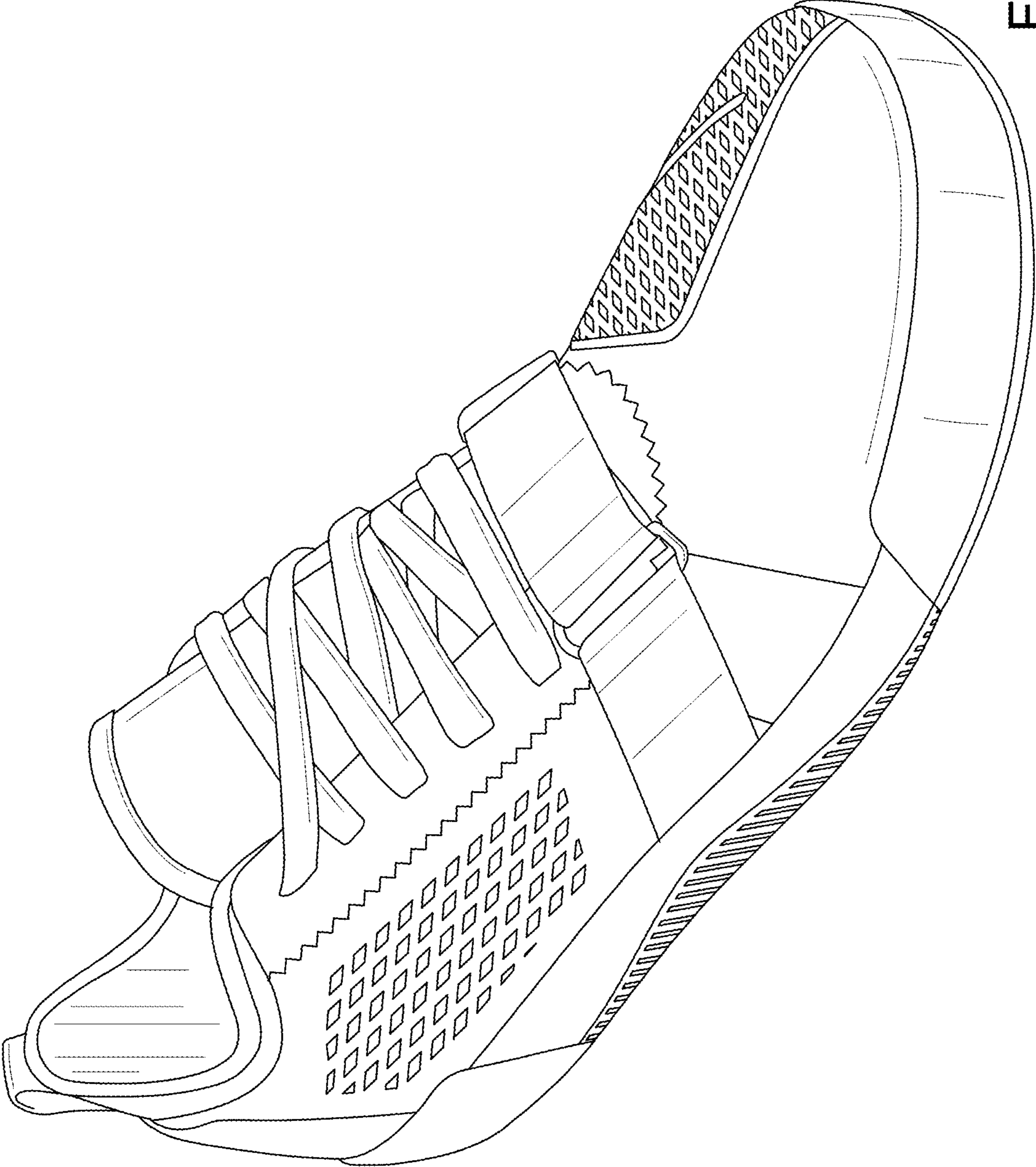


FIG. 8



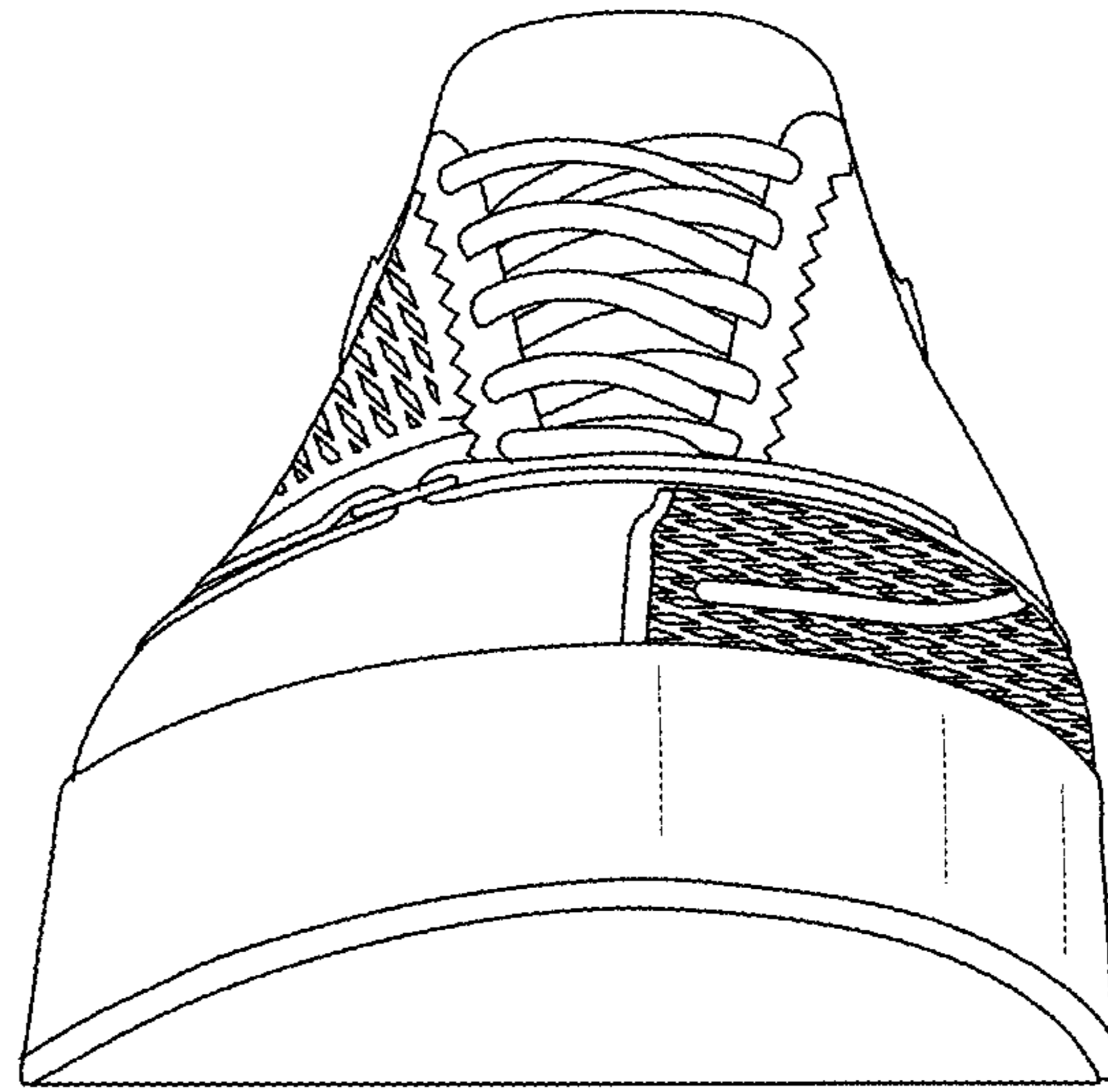


FIG. 9

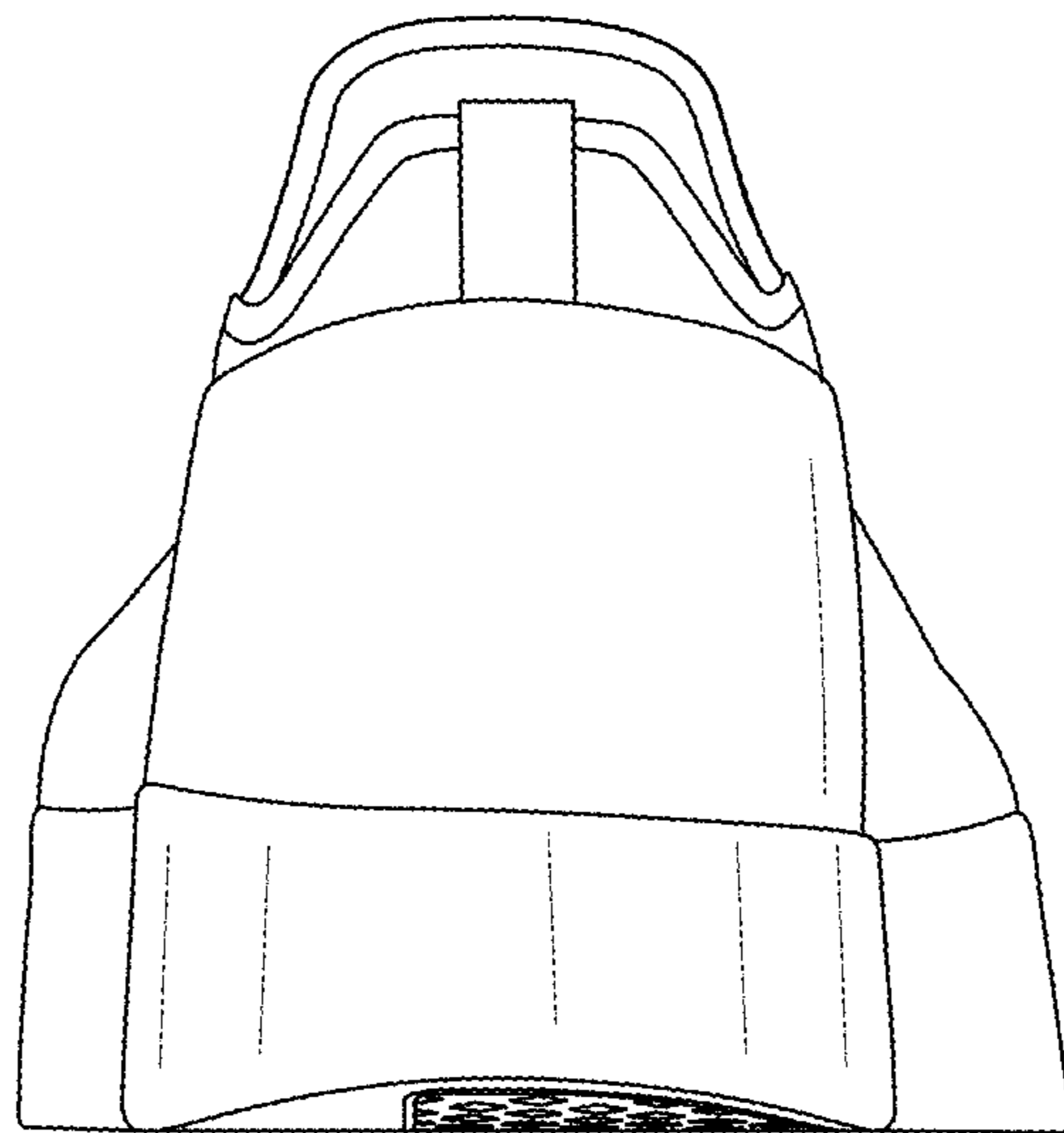


FIG. 10



7/8

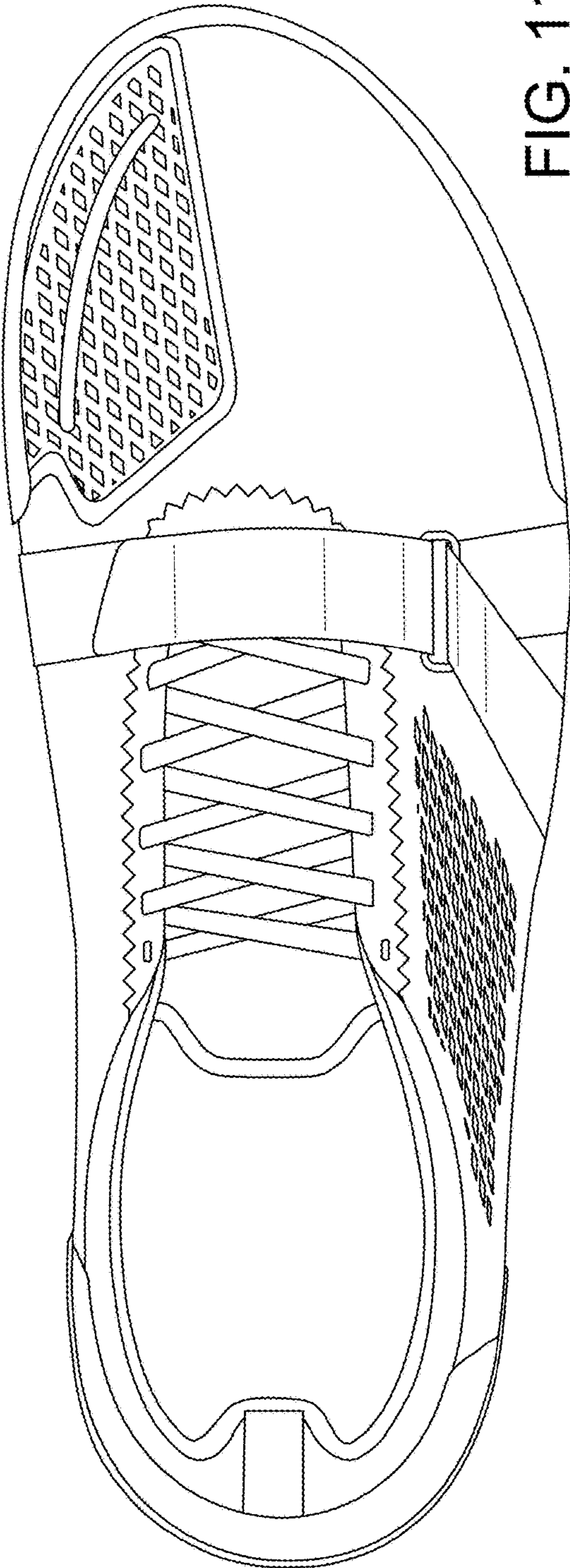


FIG. 11

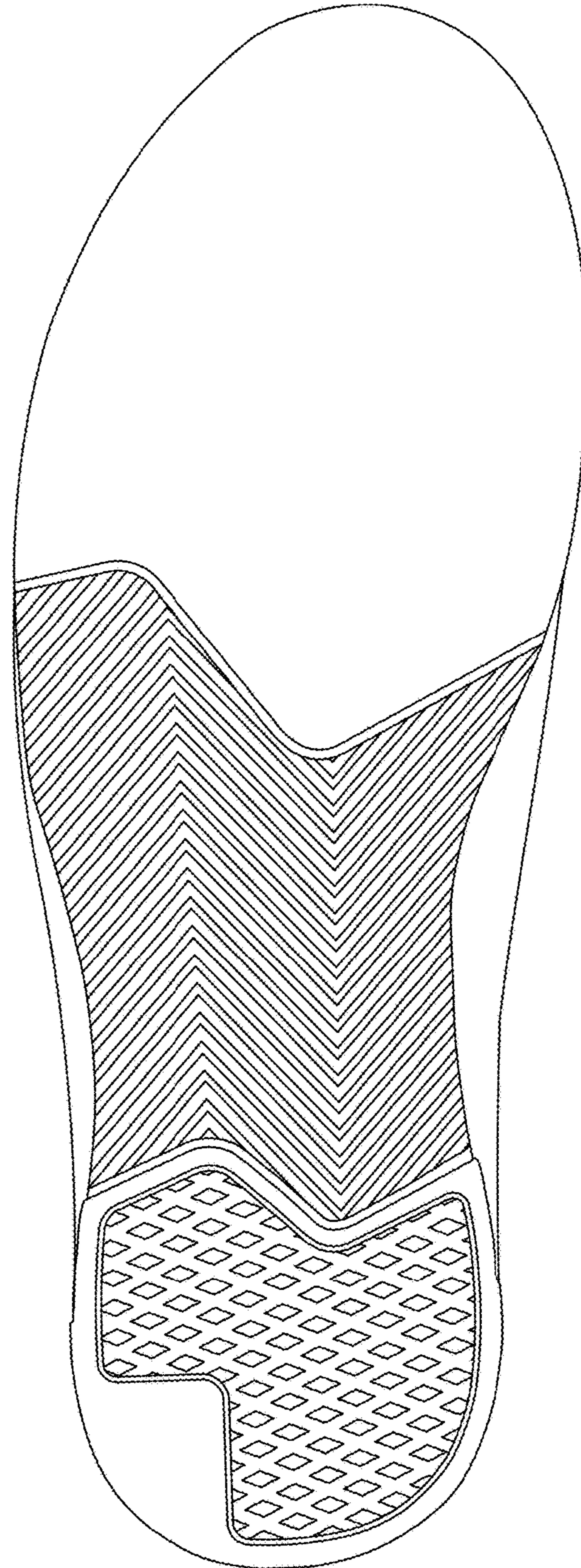


FIG. 12

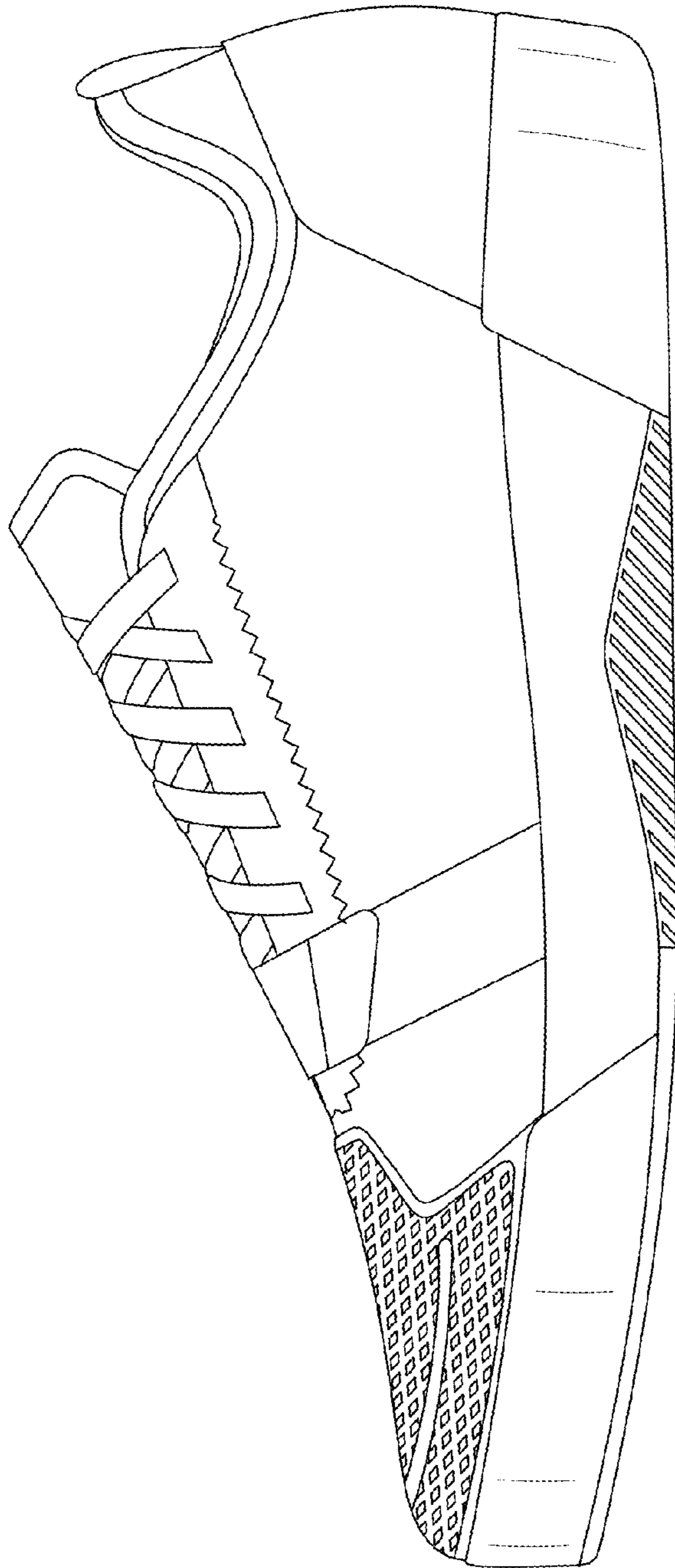


FIG. 13

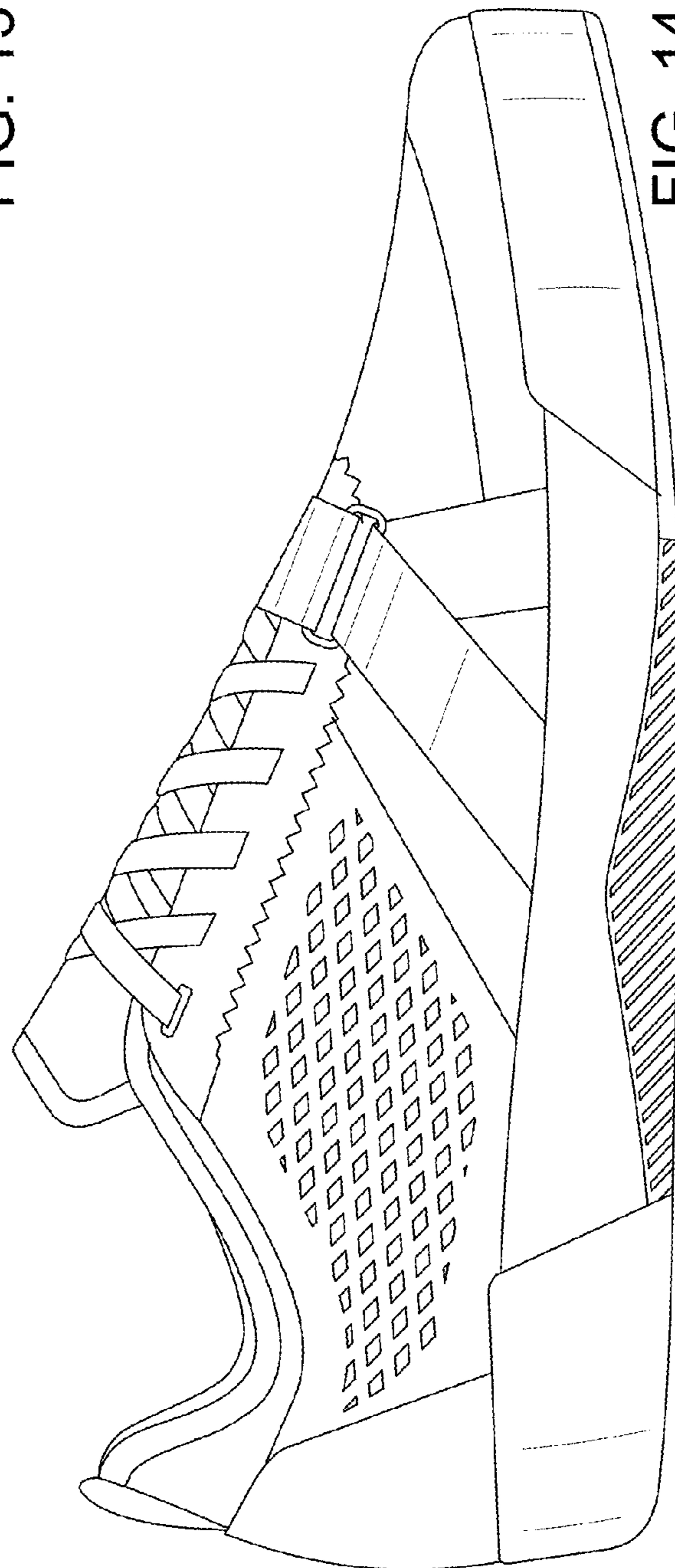


FIG. 14