



US00D977223S

(12) **United States Design Patent**  
**Allen et al.**

(10) **Patent No.:** **US D977,223 S**  
(45) **Date of Patent:** **\*\* Feb. 7, 2023**

(54) **GARMENT**

(71) Applicant: **Spanx, LLC**, Atlanta, GA (US)

(72) Inventors: **Wendy Hanson Allen**, Atlanta, GA (US); **Natalie Weirtz**, Atlanta, GA (US); **Elena Novosiolova**, Atlanta, GA (US); **Angelica Melendez**, Atlanta, GA (US)

(73) Assignee: **Spanx, LLC**, Atlanta, GA (US)

(\*\*) Term: **15 Years**

(21) Appl. No.: **29/686,896**

(22) Filed: **Apr. 9, 2019**

(51) **LOC (14) Cl.** ..... **02-01**

(52) **U.S. Cl.**  
USPC ..... **D2/701**

(58) **Field of Classification Search**  
USPC ..... D2/700–703, 708, 718, 721–722, 624;  
D24/190

(Continued)

(56) **References Cited**

**U.S. PATENT DOCUMENTS**

D622,477 S \* 8/2010 Schindler ..... D2/700  
D666,384 S \* 9/2012 Schindler ..... D2/701

(Continued)

**OTHER PUBLICATIONS**

EaseWay Women’s Basic Adjustable Spaghetti Strap Cami Under Mini Dress, posted Feb. 6, 2018 [online], (retrieved Sep. 16, 2022). Retrieved from the internet, [https://www.amazon.com/EaseWay-Womens-Basic-Adjustable-Spaghetti/dp/B07B8N2KSM/ref=sr\\_1\\_6?crid=1MZ0XKCL7XXE2&keywords=slip+dress%E2%80%A6](https://www.amazon.com/EaseWay-Womens-Basic-Adjustable-Spaghetti/dp/B07B8N2KSM/ref=sr_1_6?crid=1MZ0XKCL7XXE2&keywords=slip+dress%E2%80%A6) (Year: 2018).\*

(Continued)

*Primary Examiner* — Kevin K Rudzinski

*Assistant Examiner* — J. Thorn, Sr.

(74) *Attorney, Agent, or Firm* — Meunier Carlin & Curfman LLC

(57) **CLAIM**

The ornamental design for a garment, as shown and described.

**DESCRIPTION**

FIG. 1 is a front perspective view of a garment showing our new design when not in use.

FIG. 2 is a front view of our new design shown in FIG. 1.

FIG. 3 is a rear view of our new design shown in FIG. 1.

FIG. 4 is a right-side view of our new design shown in FIG. 1.

FIG. 5 is a left-side view of our new design shown in FIG. 1.

FIG. 6 is a top view of our new design shown in FIG. 1.

FIG. 7 is a bottom view of our new design shown in FIG. 1.

FIG. 8 is a front perspective view of the first embodiment of our new design shown in FIG. 1 in an inside-out configuration.

FIG. 9 is a front view of the design shown in FIG. 8.

FIG. 10 is a rear view of our new design shown in FIG. 8.

FIG. 11 is a right-side view of our new design shown in FIG. 8.

FIG. 12 is a left-side view of our new design shown in FIG. 8.

FIG. 13 is a top view of our new design shown in FIG. 8.

FIG. 14 is a bottom view of our new design shown in FIG. 8.

FIG. 15 is a front perspective view of the first embodiment of our new design shown in FIG. 1 when in use.

FIG. 16 is a front view of the design shown in FIG. 15.

FIG. 17 is a rear view of our new design shown in FIG. 15.

FIG. 18 is a right-side view of our new design shown in FIG. 15.

FIG. 19 is a left-side view of our new design shown in FIG. 15.

FIG. 20 is a top view of our new design shown in FIG. 15.

FIG. 21 is a bottom view of our new design shown in FIG. 15.

(Continued)

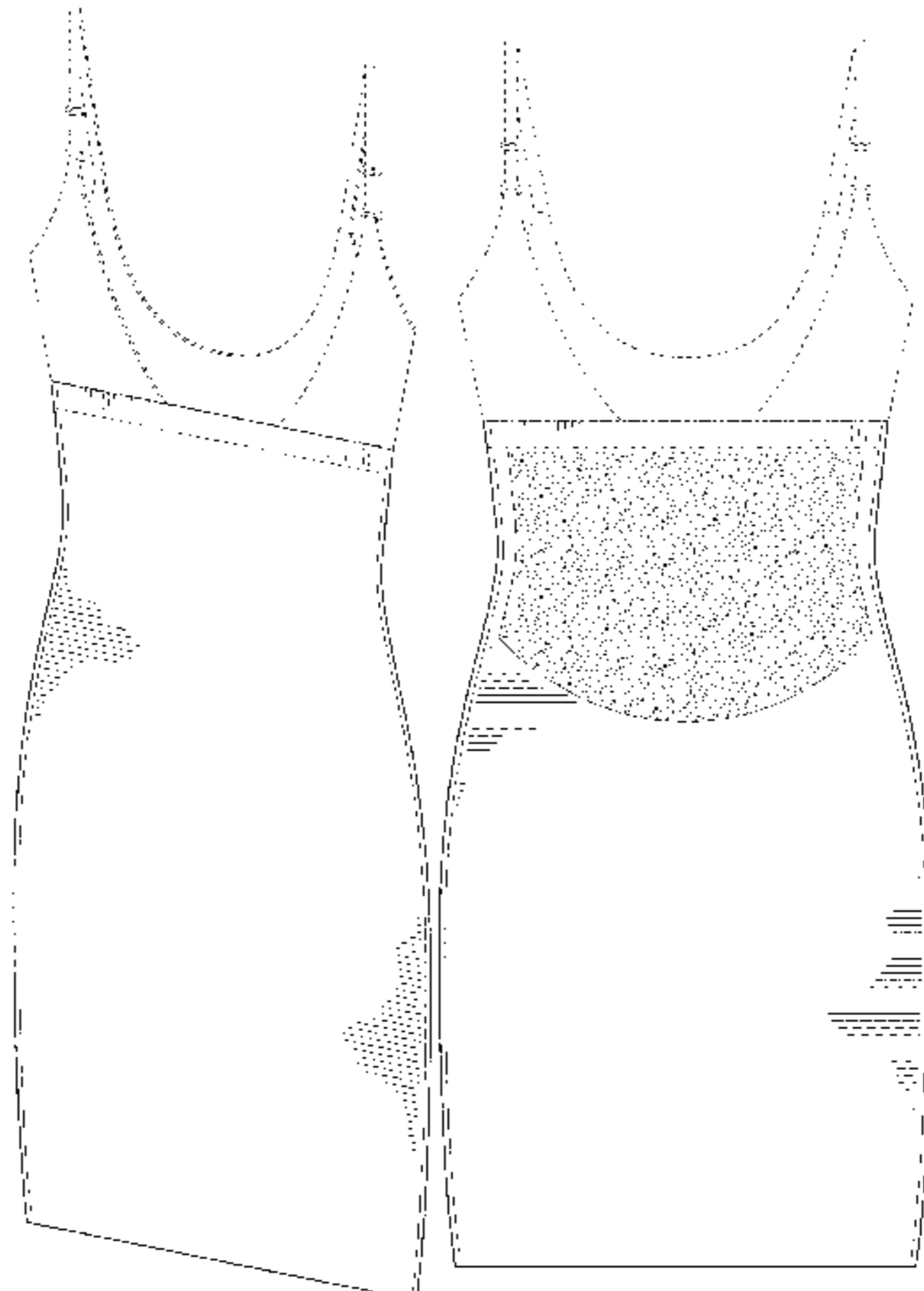


FIG. 22 is a front perspective view of a second embodiment of our new design when not in use.

FIG. 23 is a front view of our new design shown in FIG. 22.

FIG. 24 is a rear view of our new design shown in FIG. 22.

FIG. 25 is a right-side view of our new design shown in FIG. 22.

FIG. 26 is a left-side view of our new design shown in FIG. 22.

FIG. 27 is a top view of our new design shown in FIG. 22.

FIG. 28 is a bottom view of our new design shown in FIG. 22.

FIG. 29 is a front perspective view of the second embodiment of our new design shown in FIG. 22 in an inside-out configuration.

FIG. 30 is a front view of the design shown in FIG. 29.

FIG. 31 is a rear view of our new design shown in FIG. 29.

FIG. 32 is a right-side view of our new design shown in FIG. 29.

FIG. 33 is a left-side view of our new design shown in FIG. 29.

FIG. 34 is a top view of our new design shown in FIG. 29.

FIG. 35 is a bottom view of our new design shown in FIG. 29.

FIG. 36 is a front perspective view of the second embodiment of our new design shown in FIG. 22 when in use.

FIG. 37 is a front view of the design shown in FIG. 36.

FIG. 38 is a rear view of our new design shown in FIG. 36.

FIG. 39 is a right-side view of our new design shown in FIG. 36.

FIG. 40 is a left-side view of our new design shown in FIG. 36.

FIG. 41 is a top view of our new design shown in FIG. 36; and,

FIG. 42 is a bottom view of our new design shown in FIG. 36.

The stippling, as shown in FIGS. 8, 9, 29, and 30, is meant to represent a fabric or material that is different from the remaining portions of the garment.

The partial human figure rendered in short broken lines in FIGS. 15-21 and 36-42 illustrate environmental subject matter intended to assist in showing how the design appears when in use and forms no part of the claim.

The remaining short broken lines in the figures are for the purpose of illustrating stitching and portions of the article that form no part of the claim.

The dot-dash broken lines define the bounds of the claimed design and form no part thereof.

### 1 Claim, 32 Drawing Sheets

#### (58) Field of Classification Search

CPC ..... A41B 9/06; A41B 9/16  
See application file for complete search history.

#### (56) References Cited

##### U.S. PATENT DOCUMENTS

D956,387 S \* 7/2022 Fernando ..... D2/701  
2004/0049831 A1\* 3/2004 Smilovic ..... A41B 9/06  
2/211  
2018/0310641 A1\* 11/2018 Melendez ..... A41C 3/0028

##### OTHER PUBLICATIONS

Vlazom Women's Nightdresses, posted Oct. 21, 2019 [online], (retrieved Sep. 16, 2022). Retrieved from the internet, [https://www.amazon.co.uk/Vlazom-Petticoat-Strappy-Nightdress-Chemise/dp/B07ZHX4ZGY/ref=sr\\_1\\_1\\_sspa?crd=M03GJEHOBFTZ&keywords=slip%E2%80%A6](https://www.amazon.co.uk/Vlazom-Petticoat-Strappy-Nightdress-Chemise/dp/B07ZHX4ZGY/ref=sr_1_1_sspa?crd=M03GJEHOBFTZ&keywords=slip%E2%80%A6) (Year: 2019).\*

Smart Fit Me Women's Slimming Half Slip For Under Dresses, posted Apr. 10, 2017 [online], (retrieved Sep. 16, 2022). Retrieved from the internet, [https://www.amazon.com/Smart-Fit-Me-Slimming-Dresses/dp/B06ZXVCD7T/ref=sr\\_1\\_9?crd=WFISPCP412QB&keywords=seamless+half+slips&qid=%E2%80%A6](https://www.amazon.com/Smart-Fit-Me-Slimming-Dresses/dp/B06ZXVCD7T/ref=sr_1_9?crd=WFISPCP412QB&keywords=seamless+half+slips&qid=%E2%80%A6) (Year: 2017).\*

\* cited by examiner

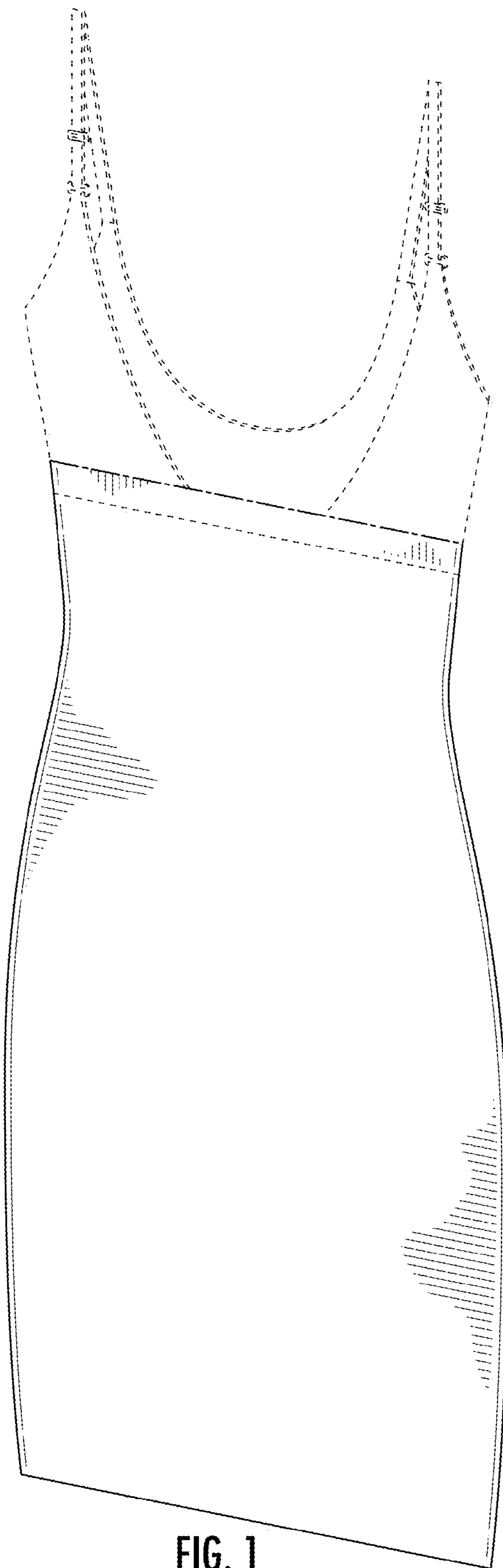


FIG. 1

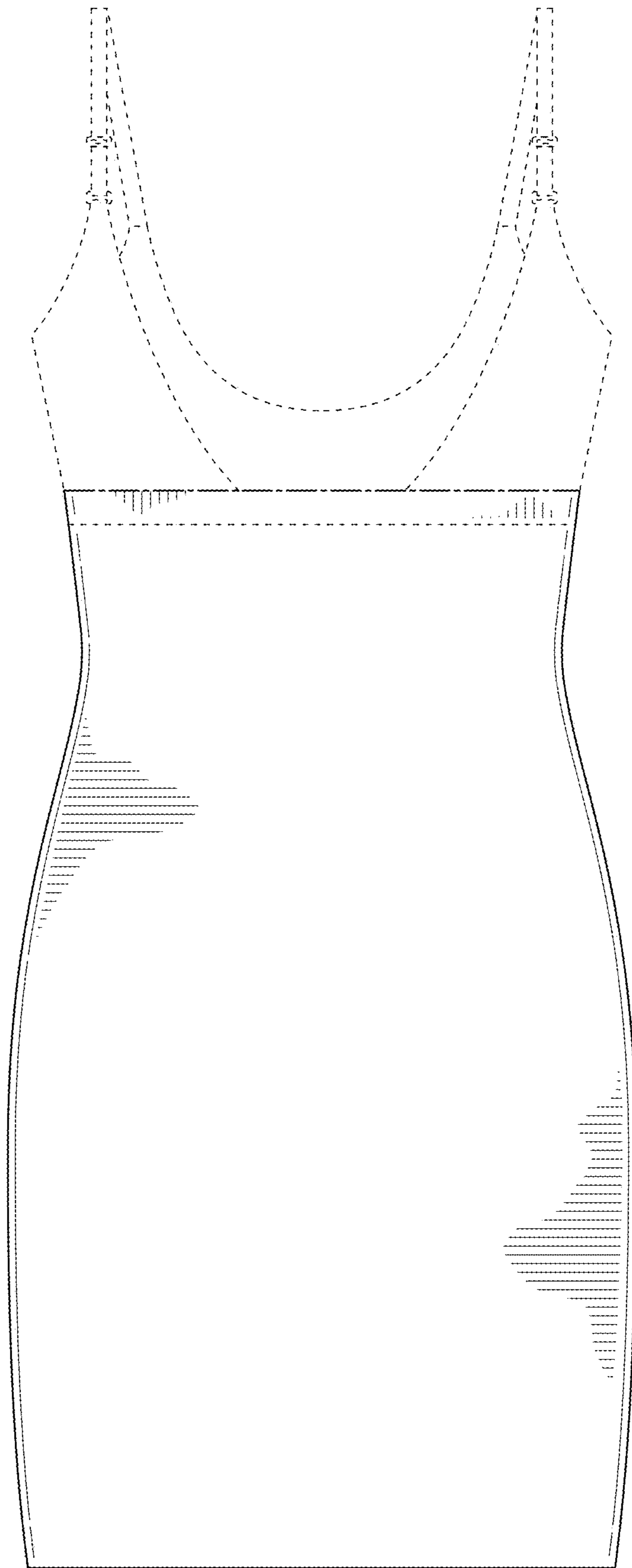


FIG. 2

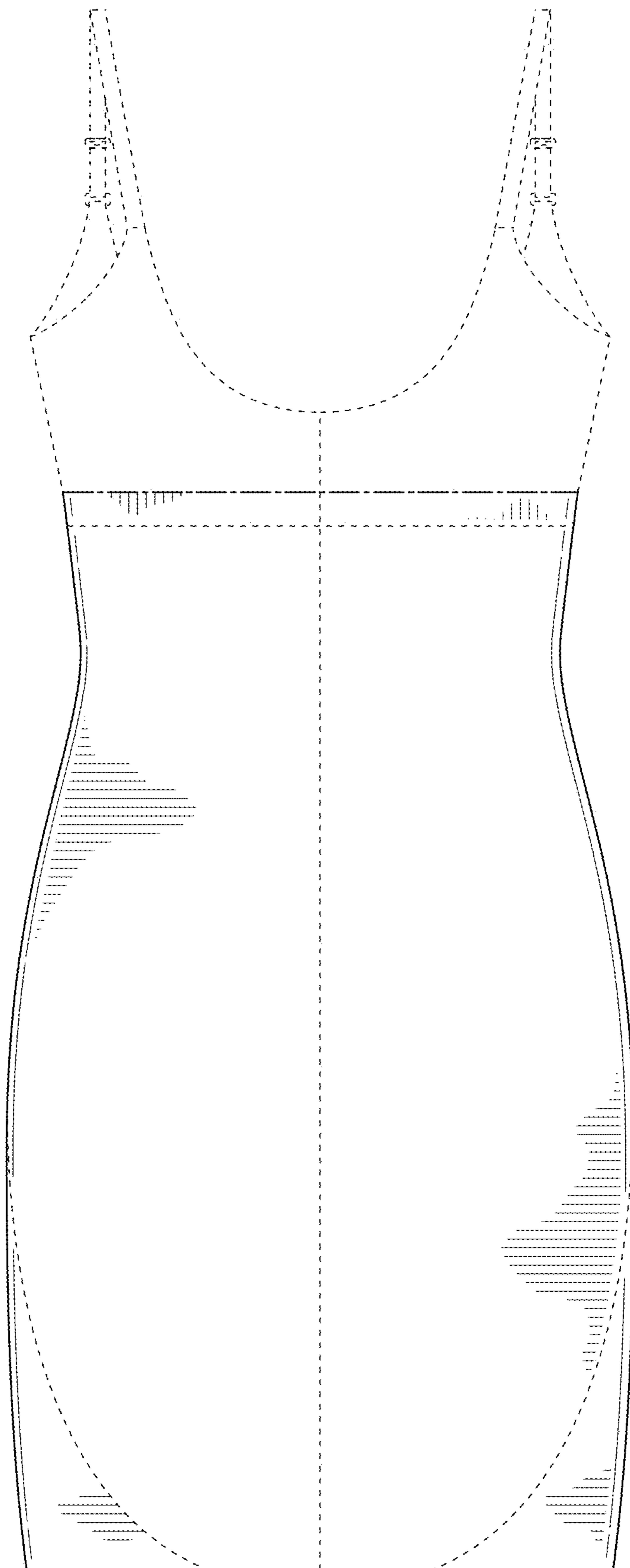


FIG. 3

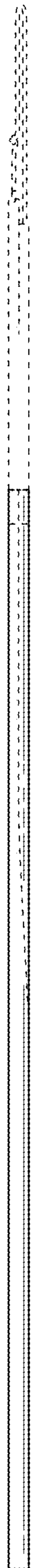


FIG. 4

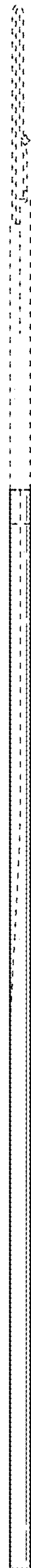


FIG. 5



FIG. 6

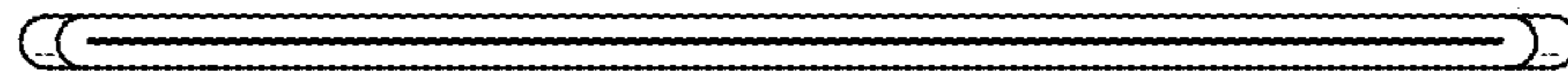


FIG. 7

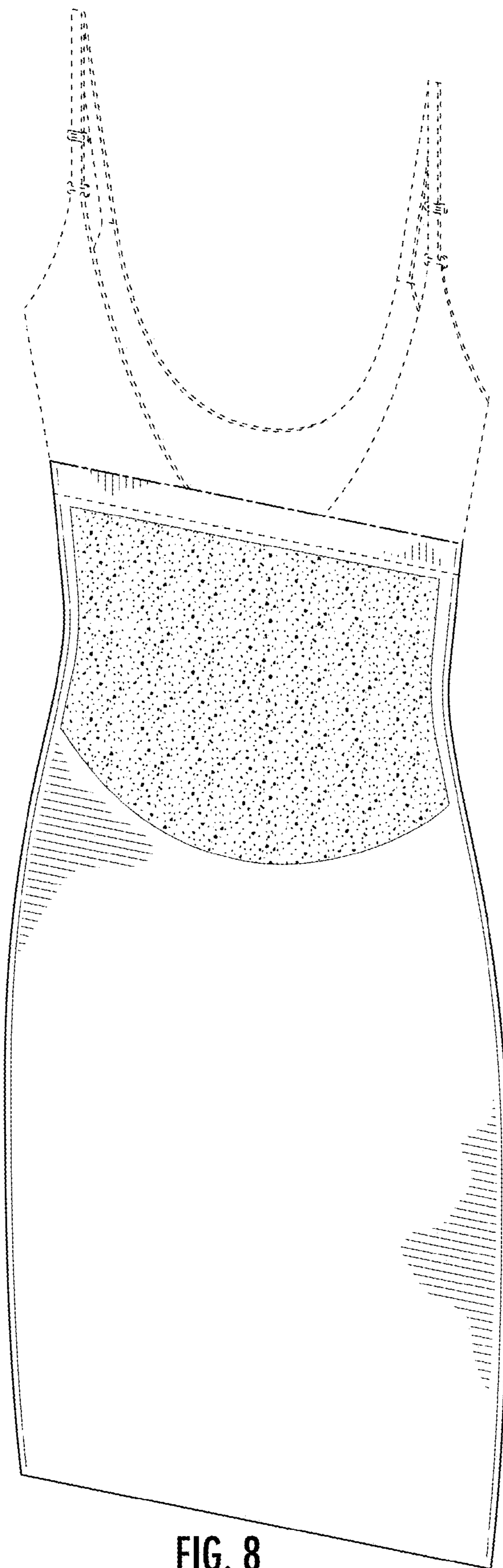


FIG. 8



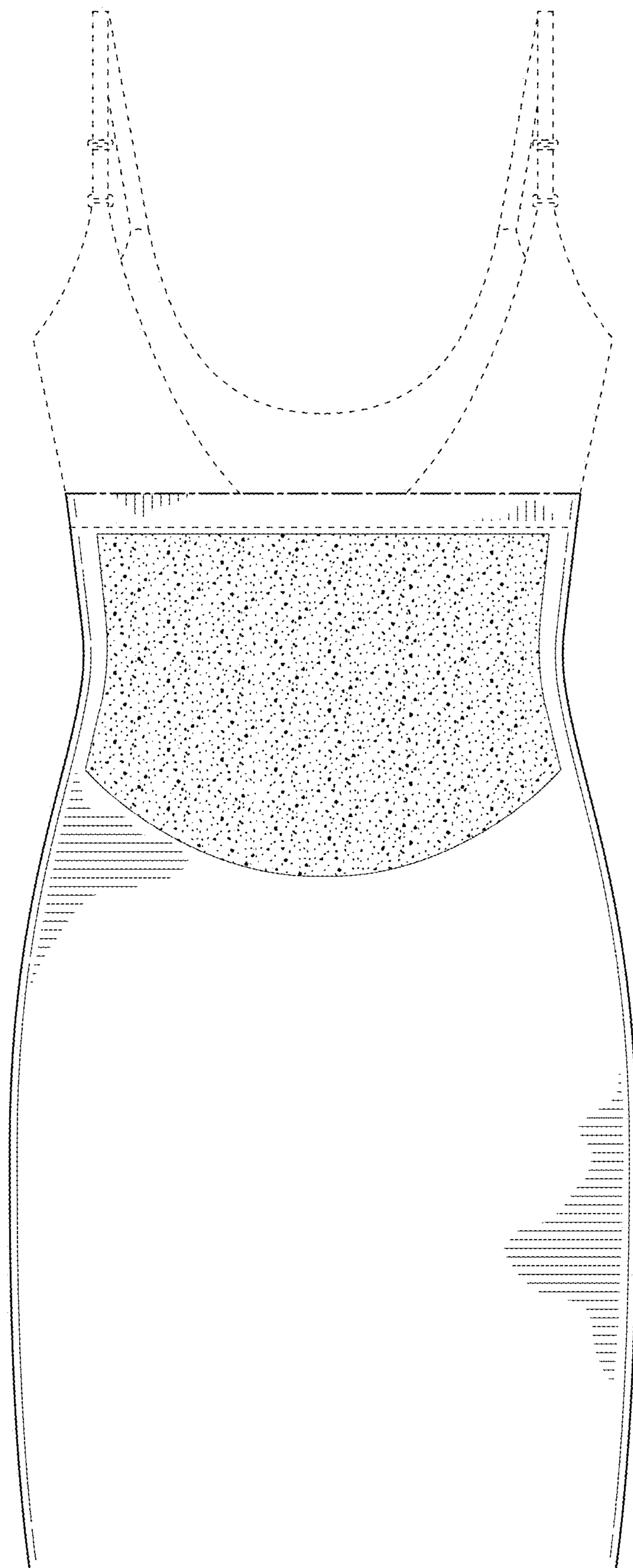


FIG. 9

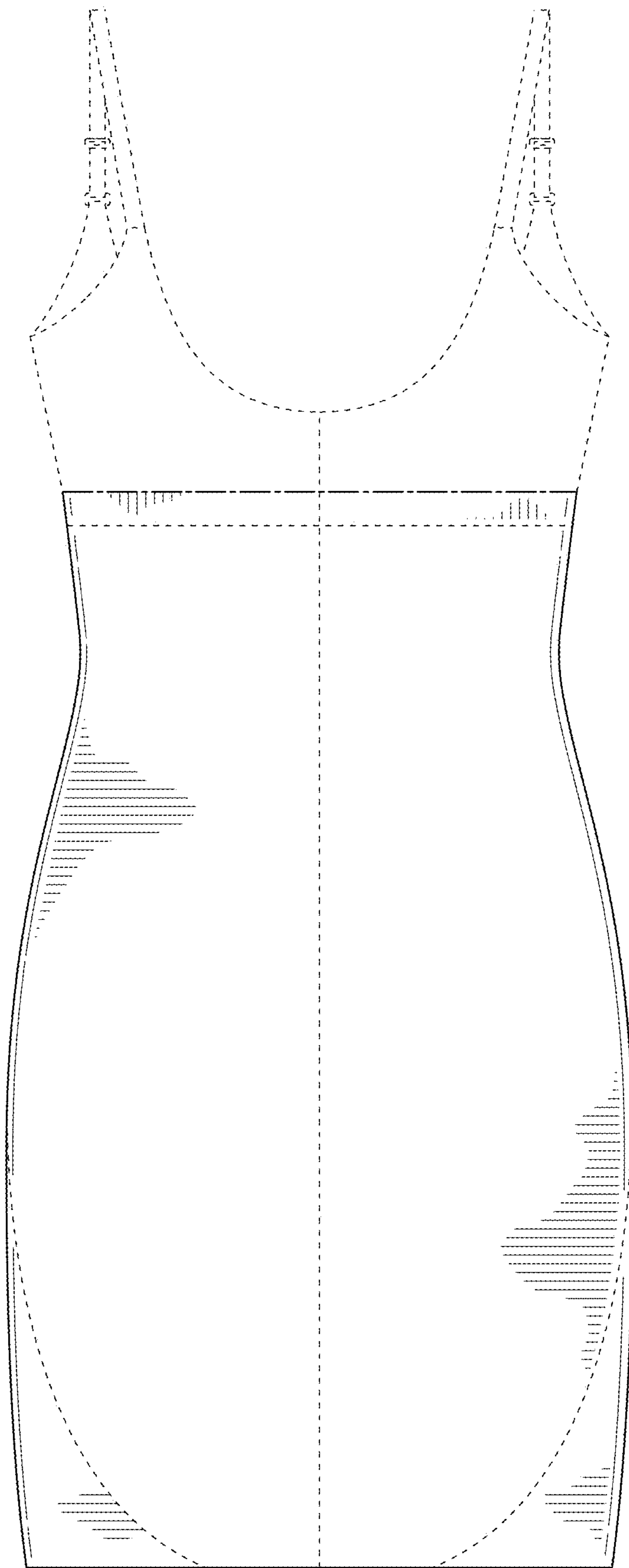


FIG. 10



FIG. 11

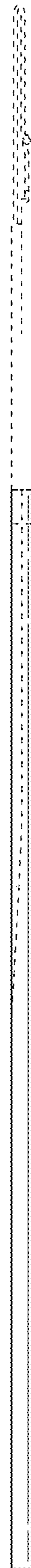


FIG. 12

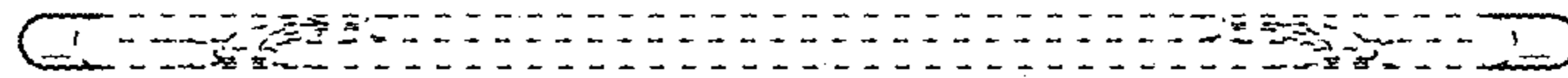


FIG. 13

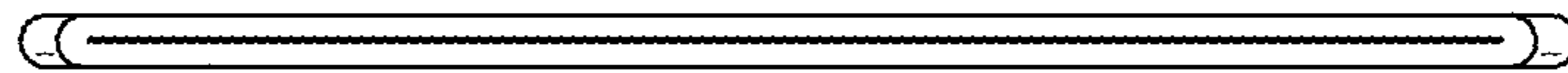


FIG. 14

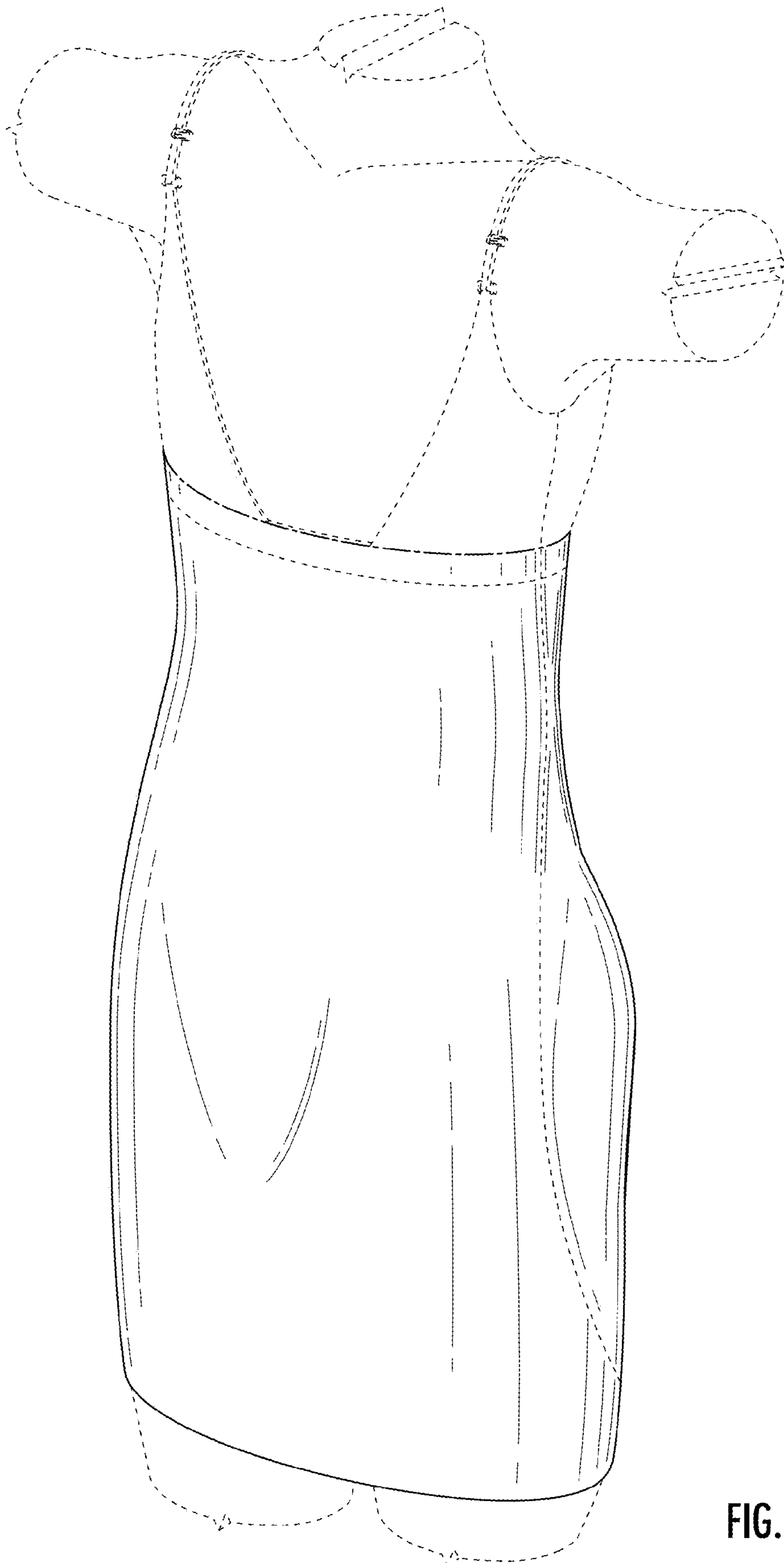


FIG. 15

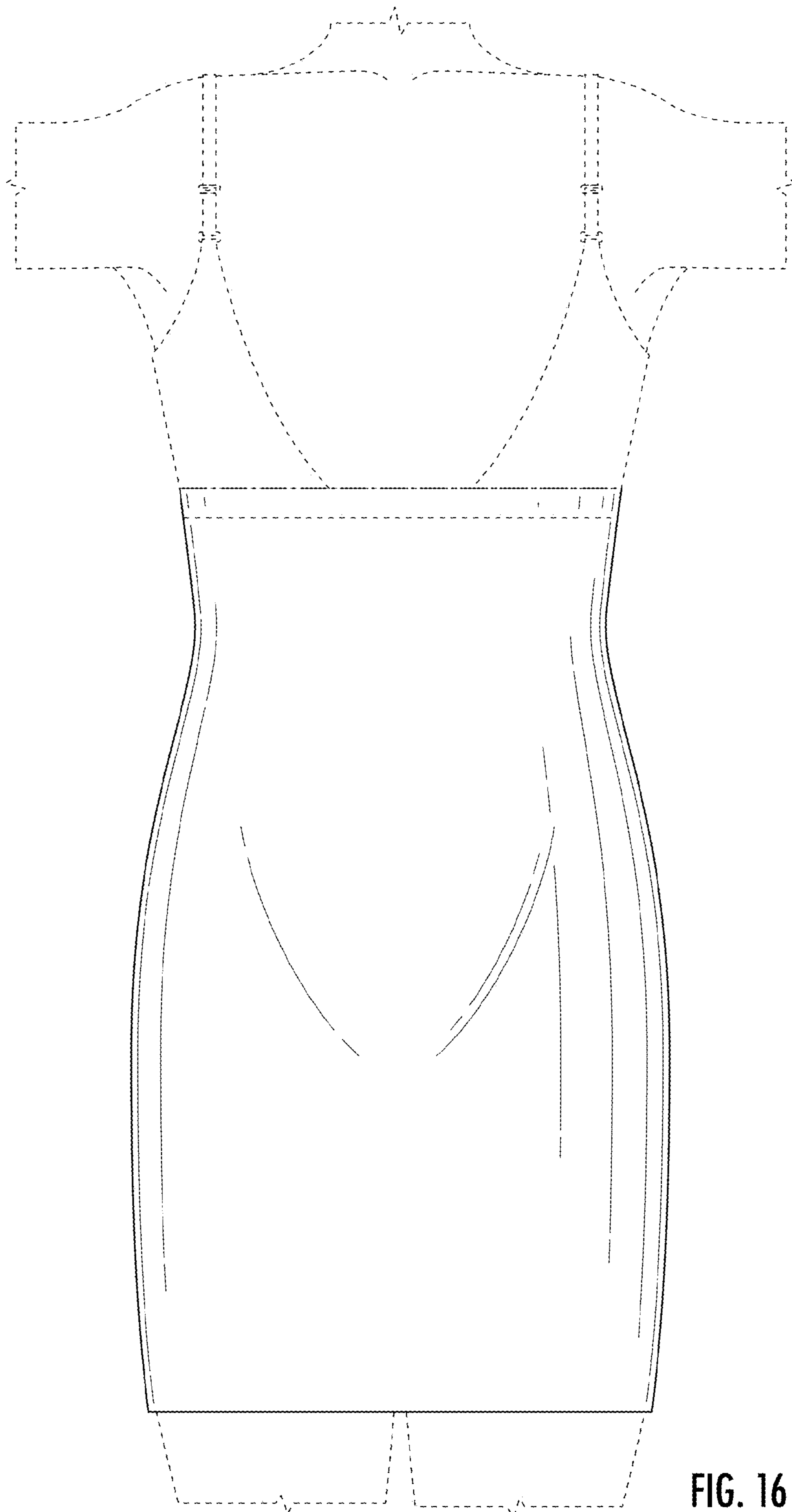


FIG. 16

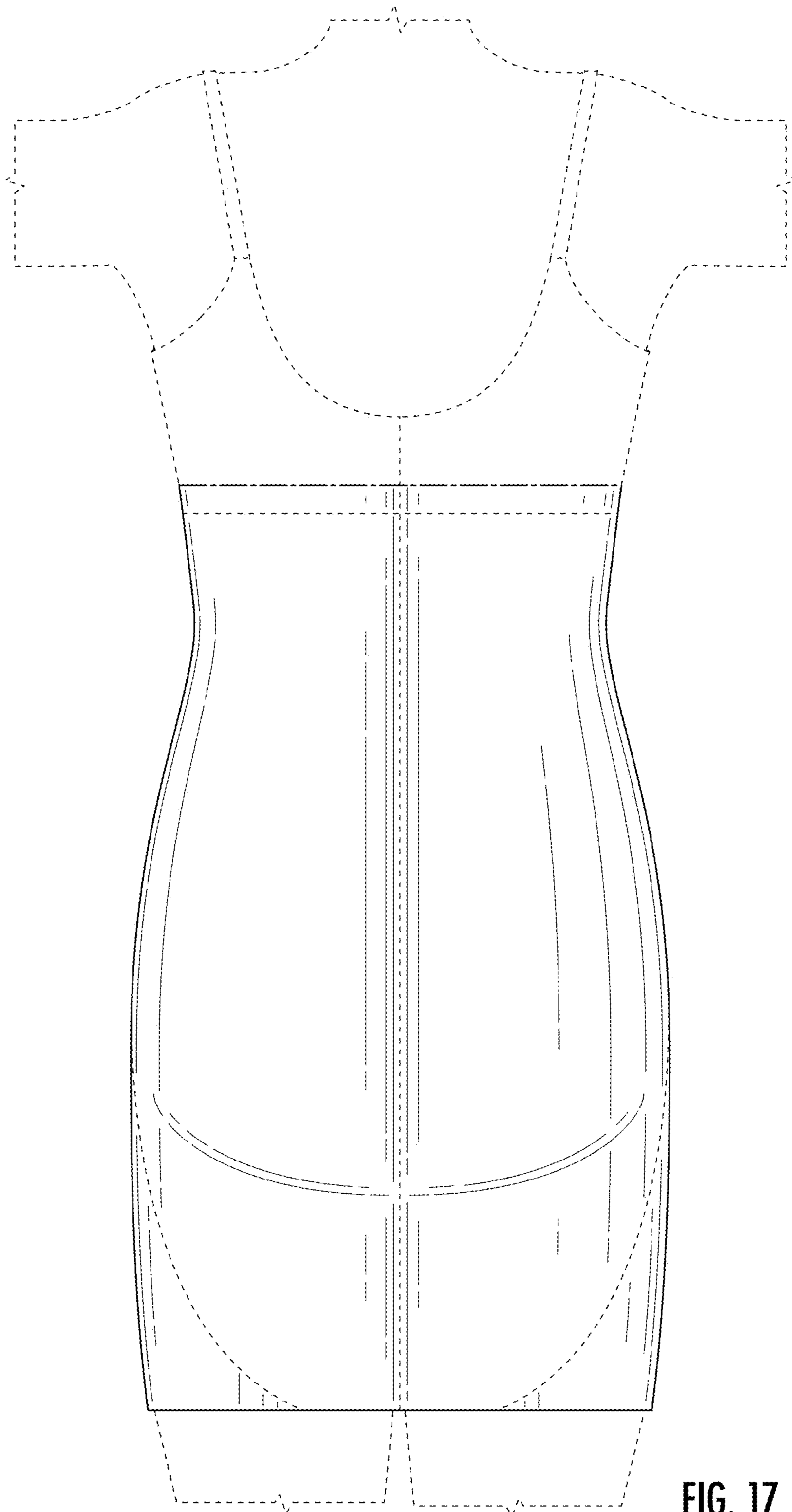


FIG. 17

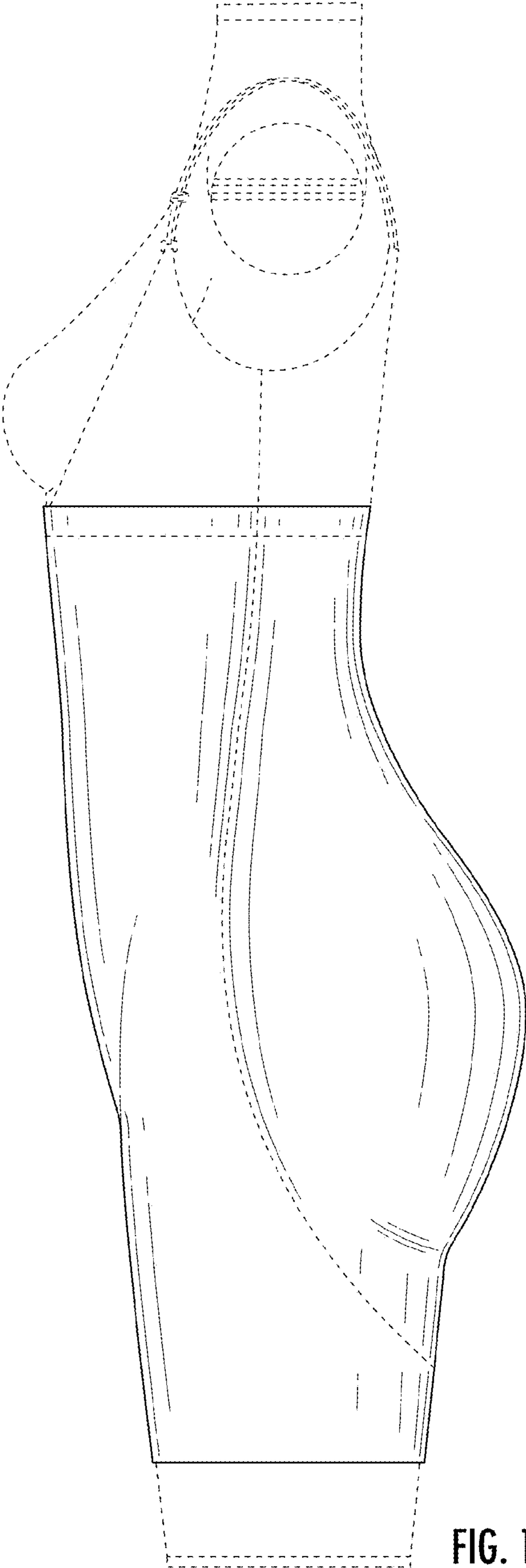


FIG. 18



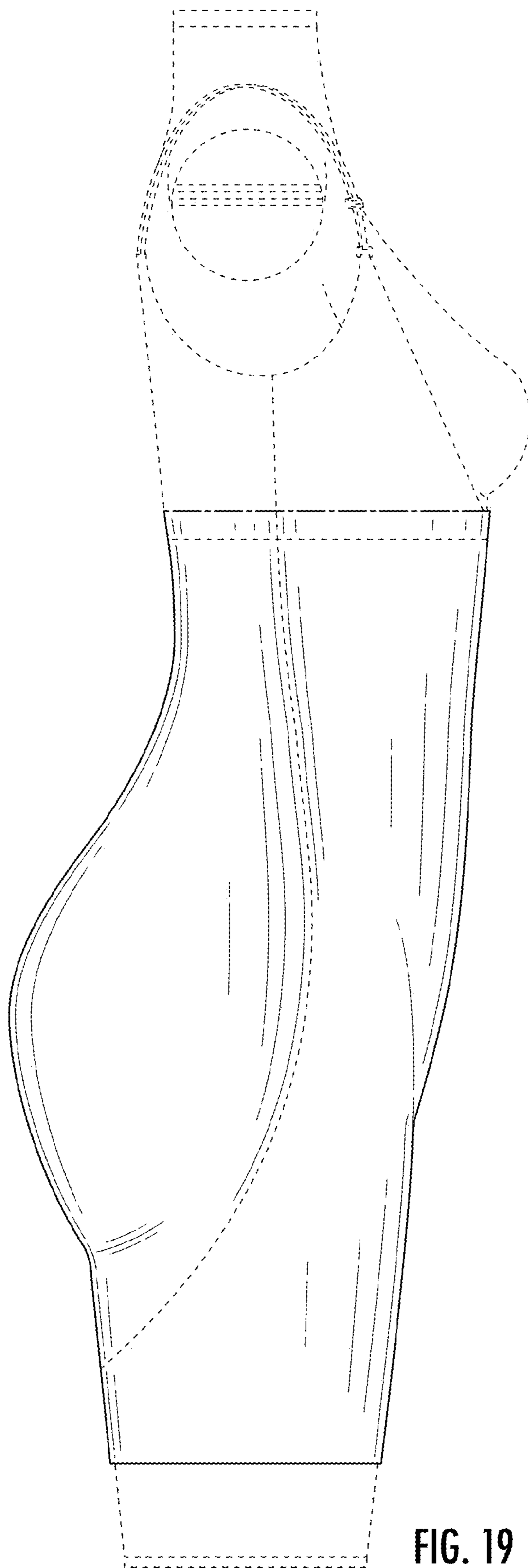


FIG. 19

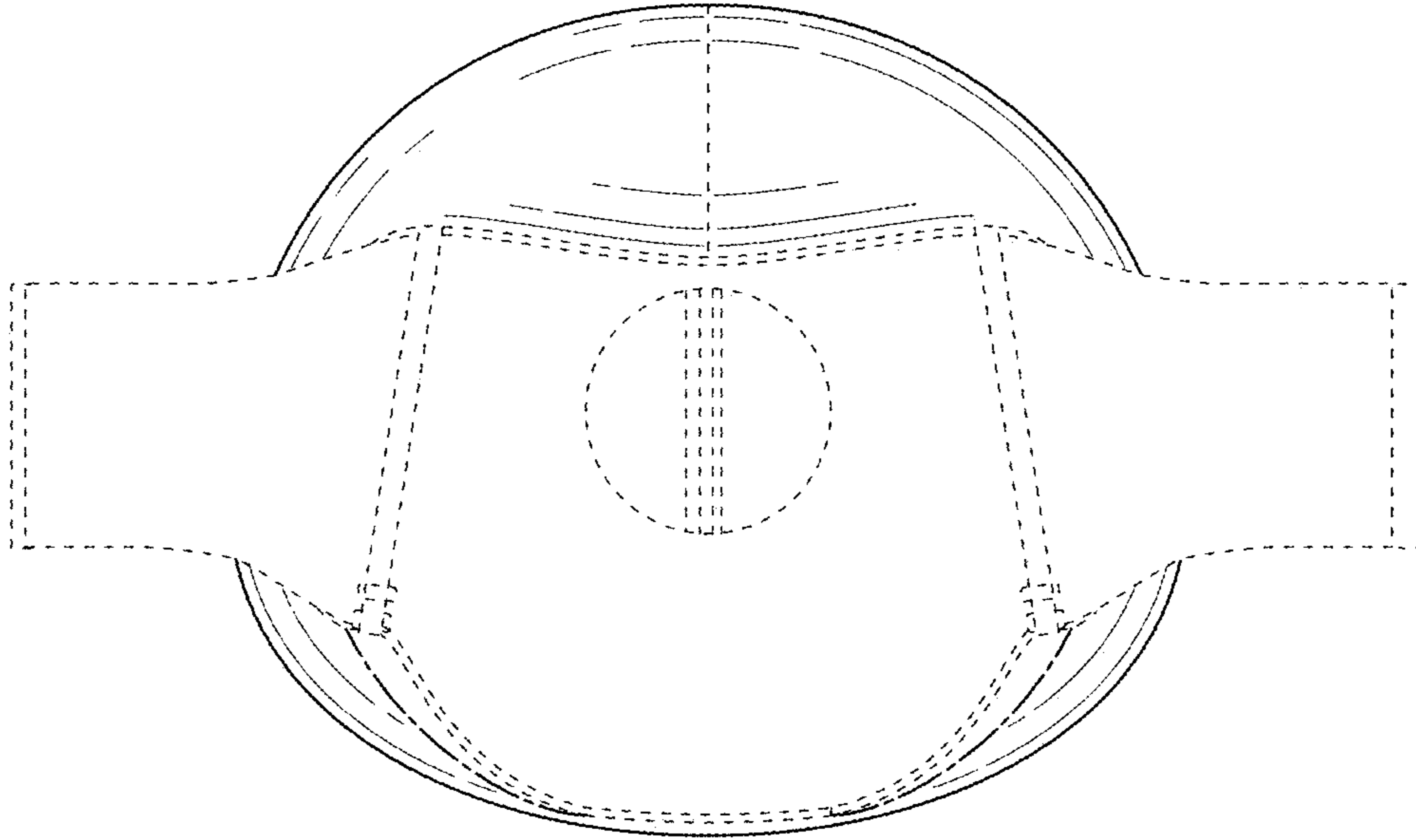


FIG. 20

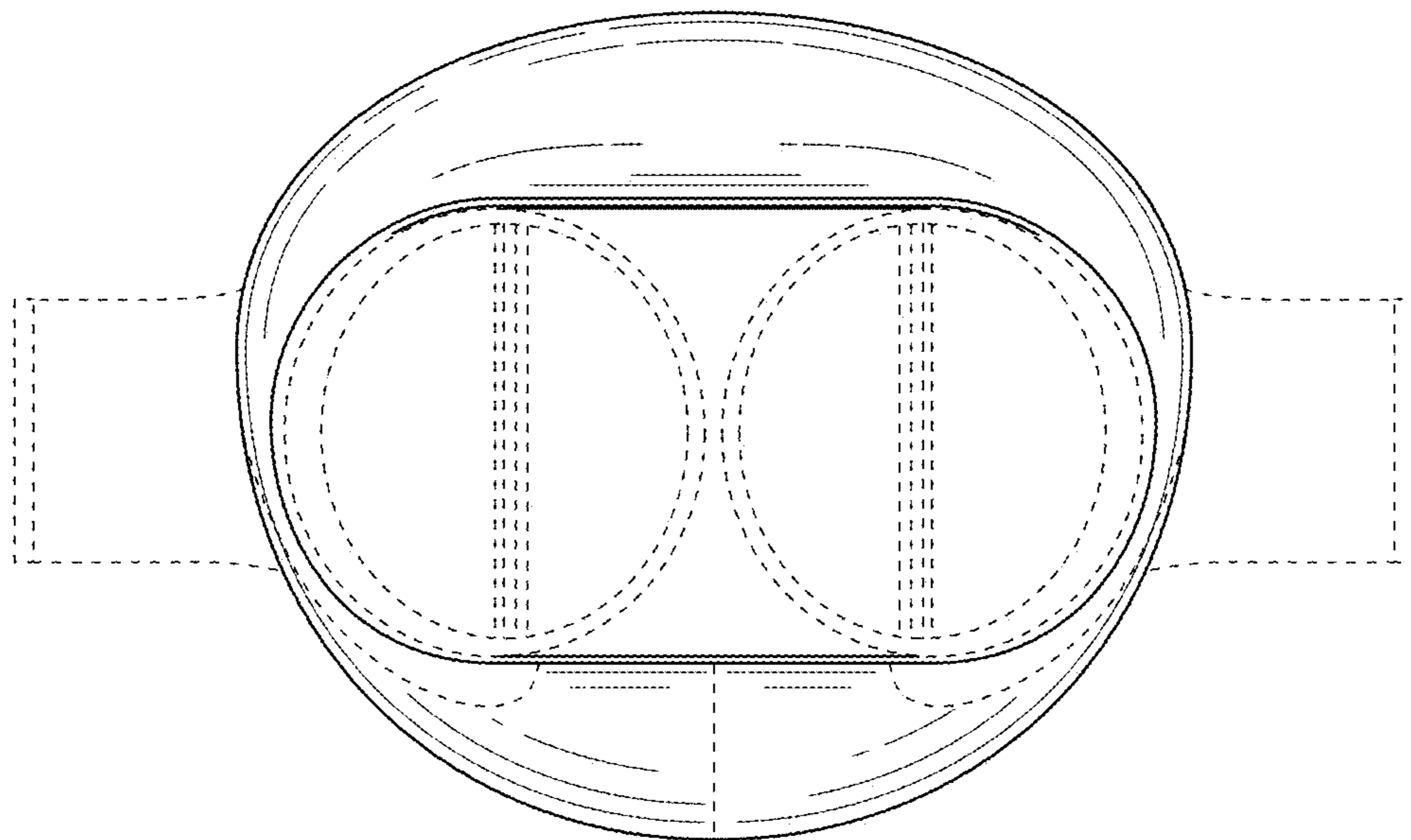


FIG. 21

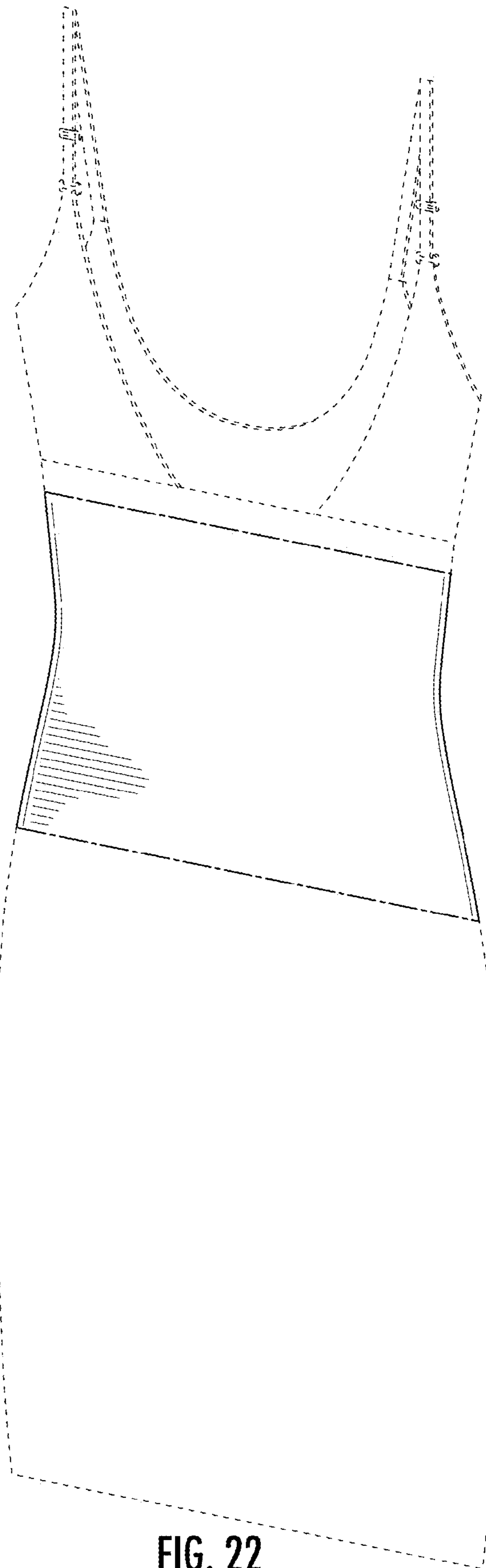


FIG. 22

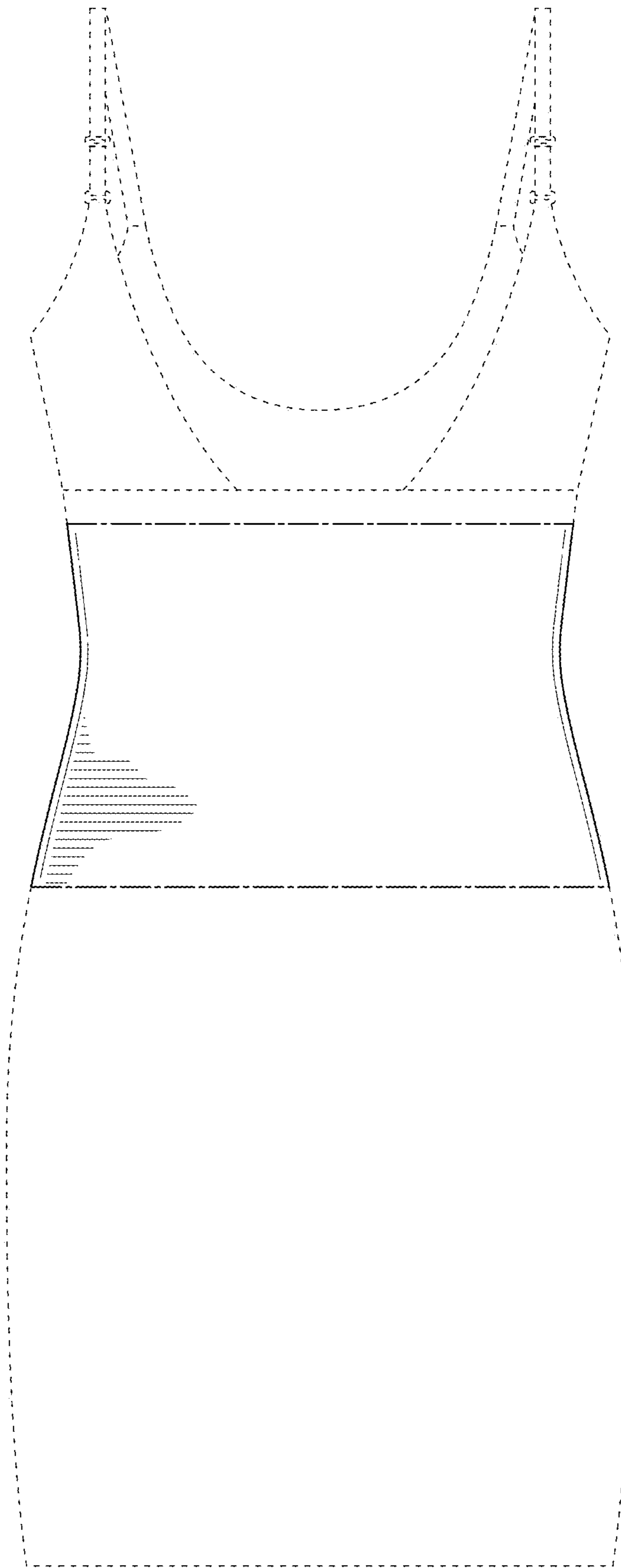


FIG. 23

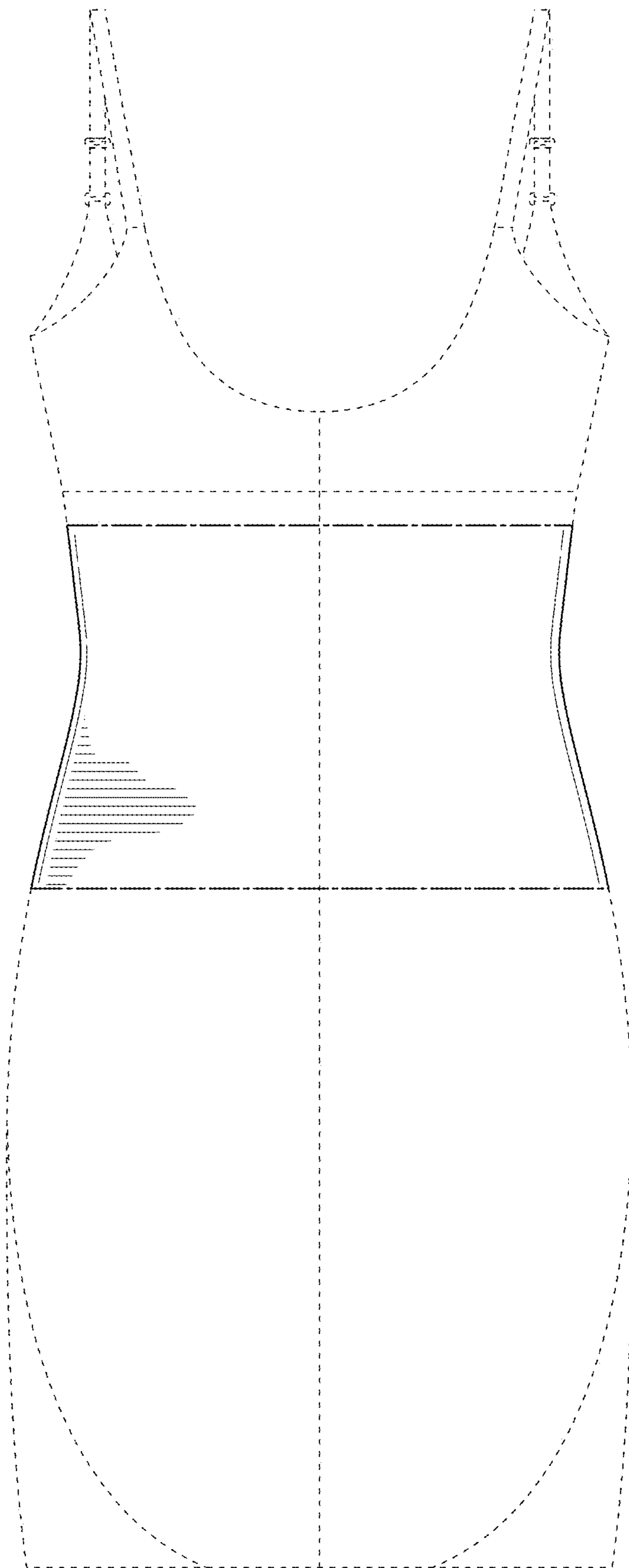


FIG. 24

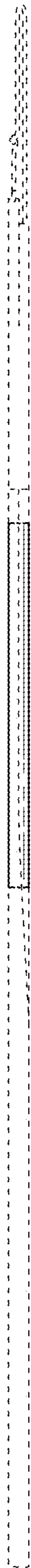


FIG. 25

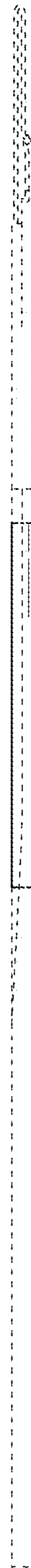


FIG. 26



FIG. 27

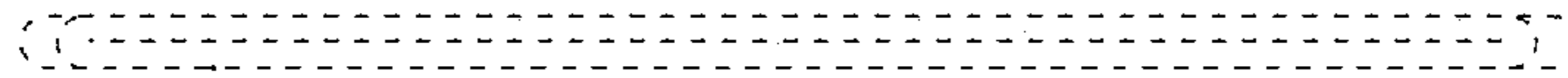


FIG. 28

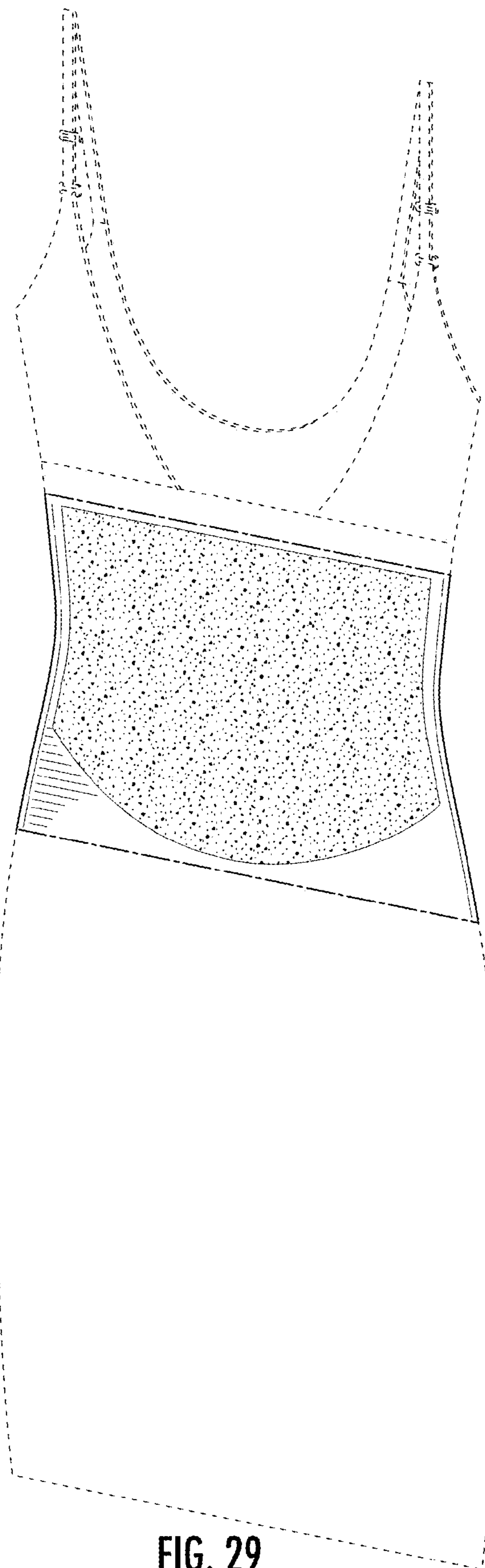


FIG. 29



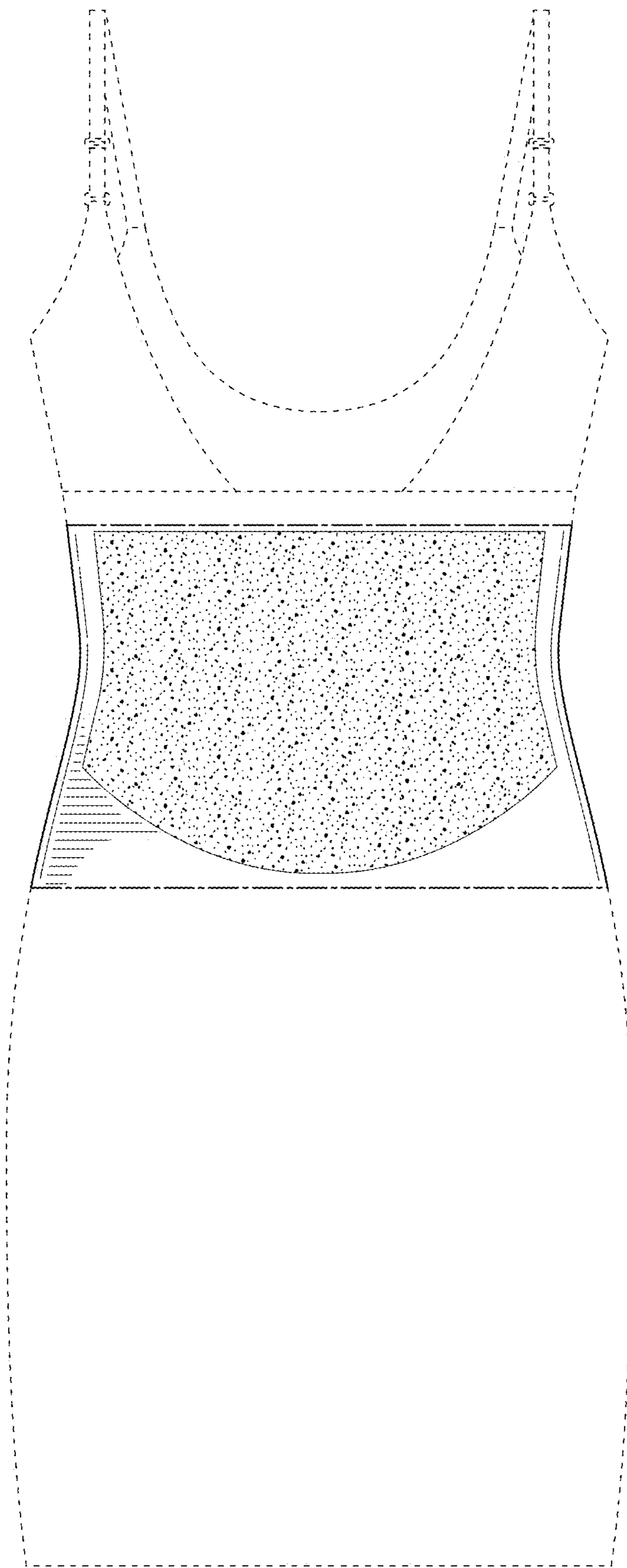


FIG. 30

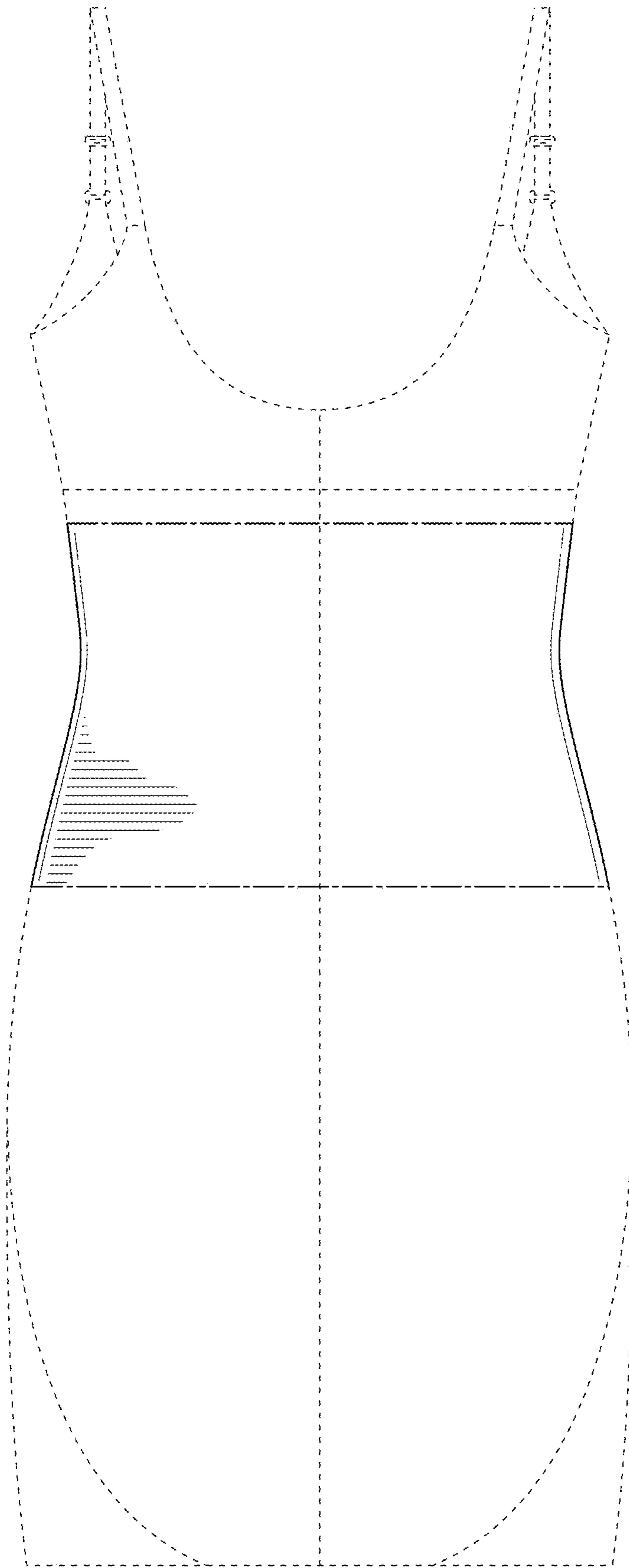


FIG. 31

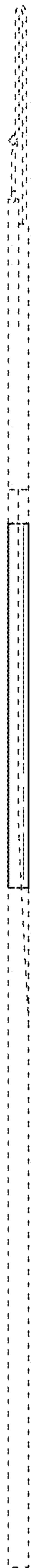


FIG. 32

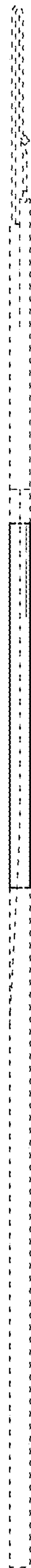


FIG. 33

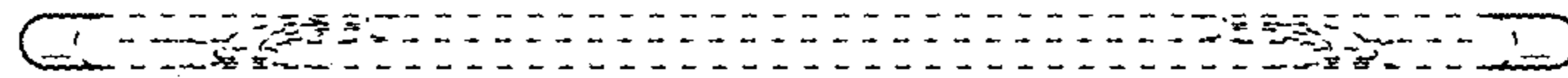


FIG. 34

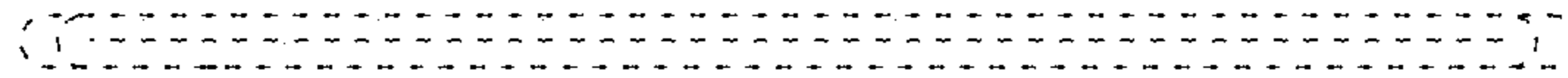


FIG. 35

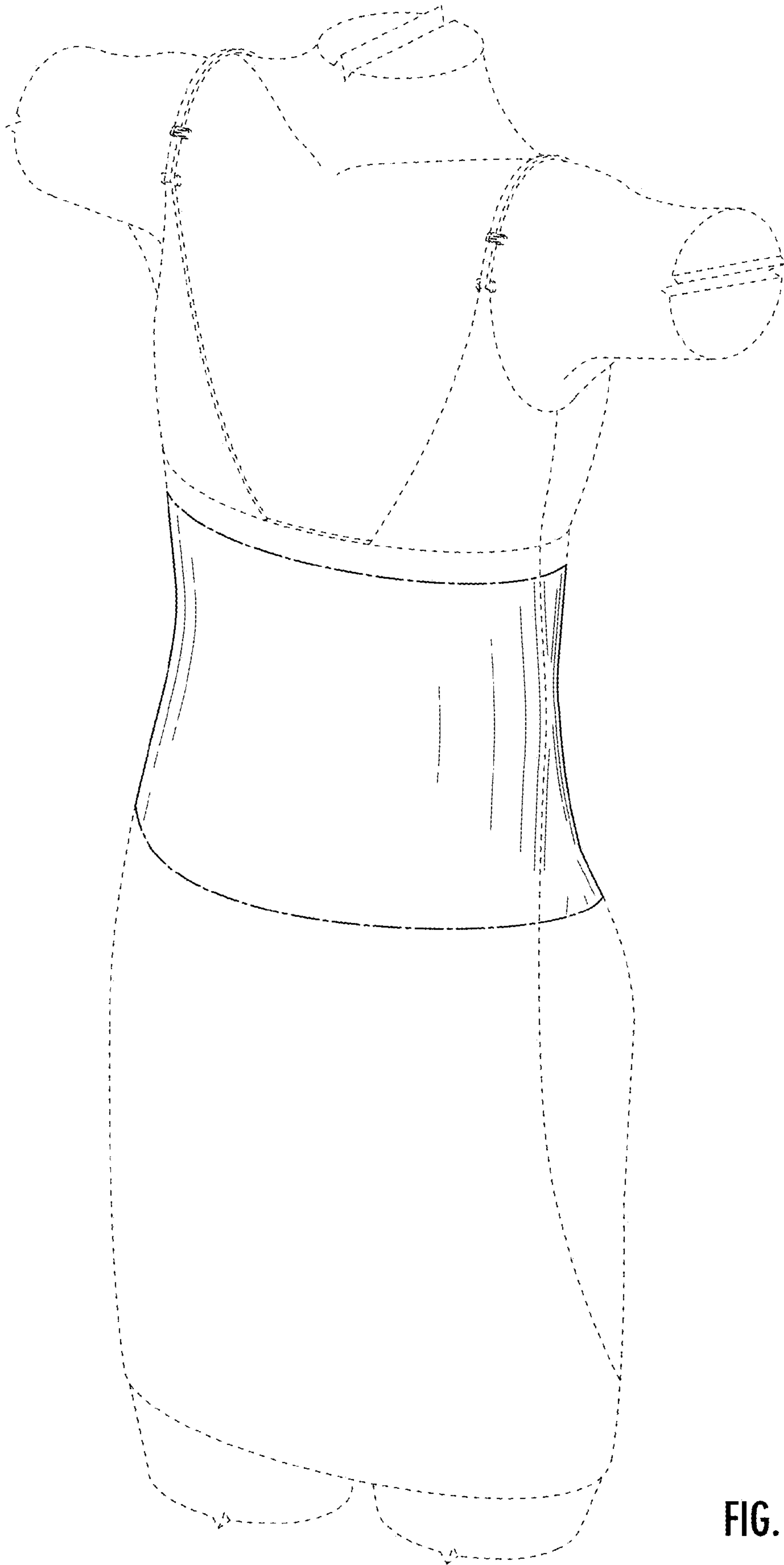


FIG. 36

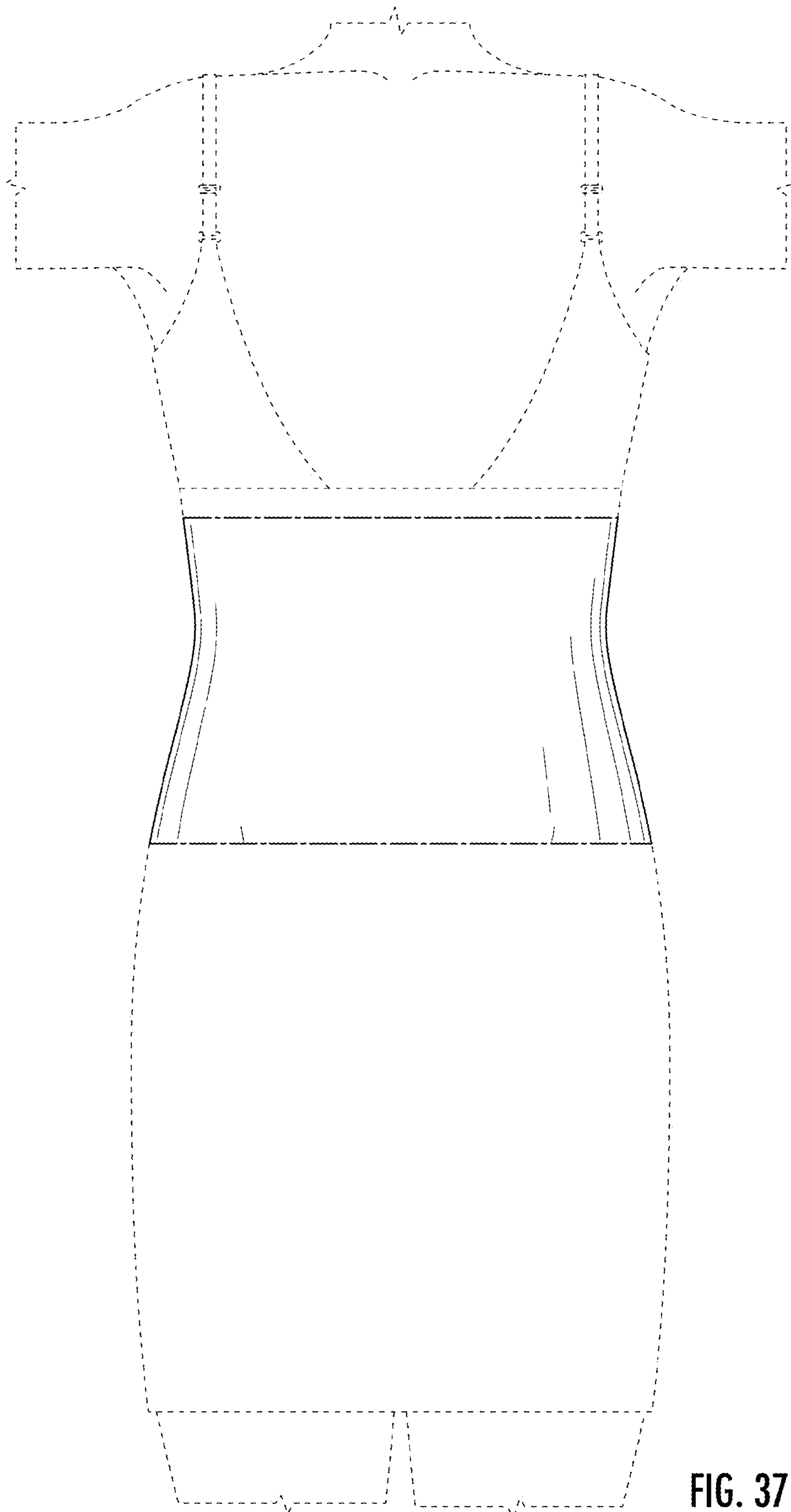


FIG. 37

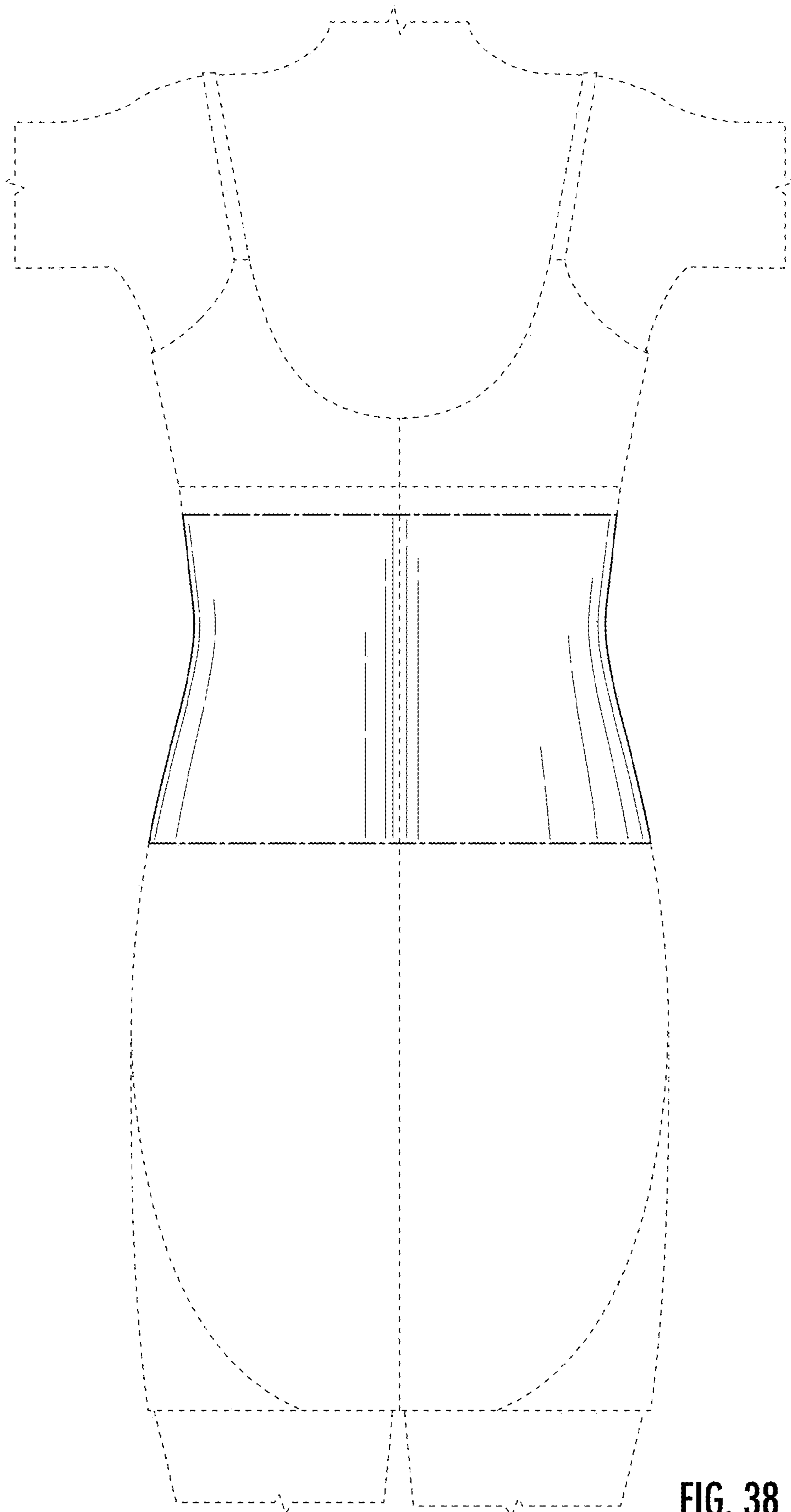


FIG. 38

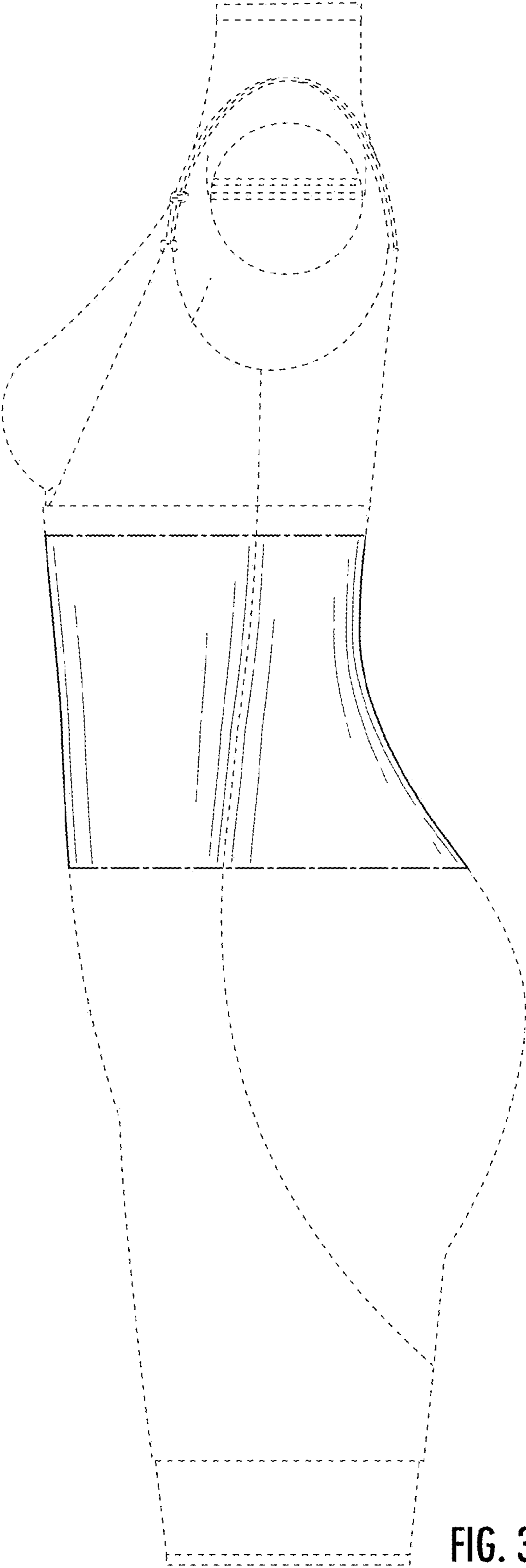


FIG. 39



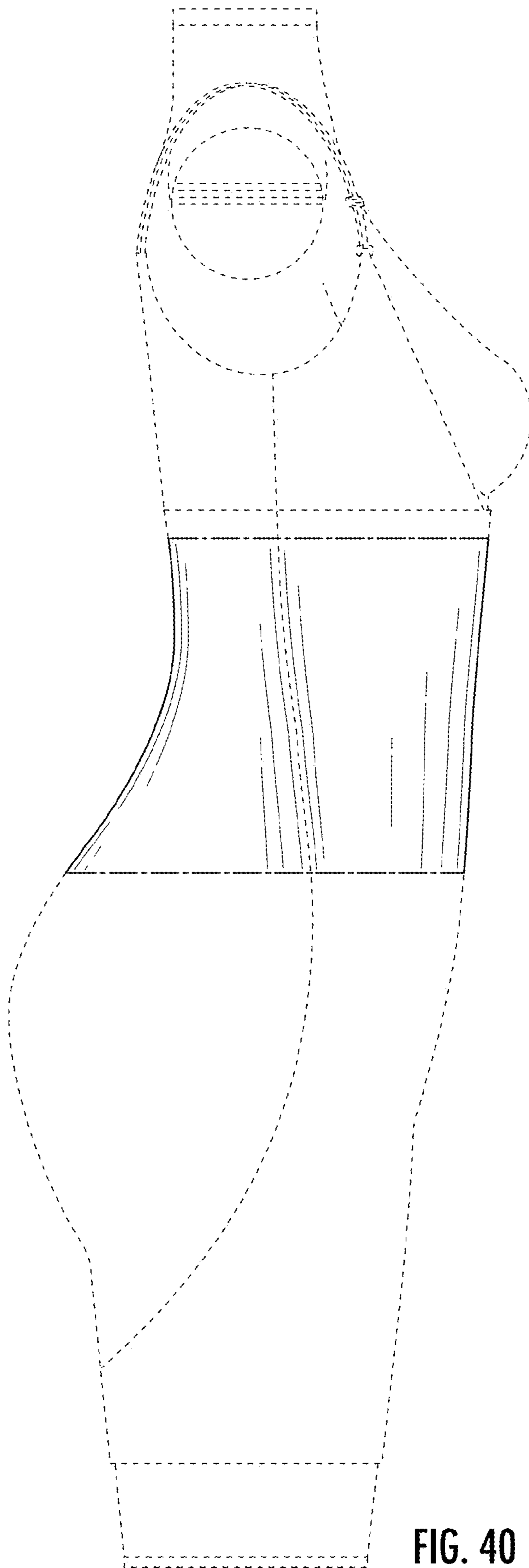


FIG. 40

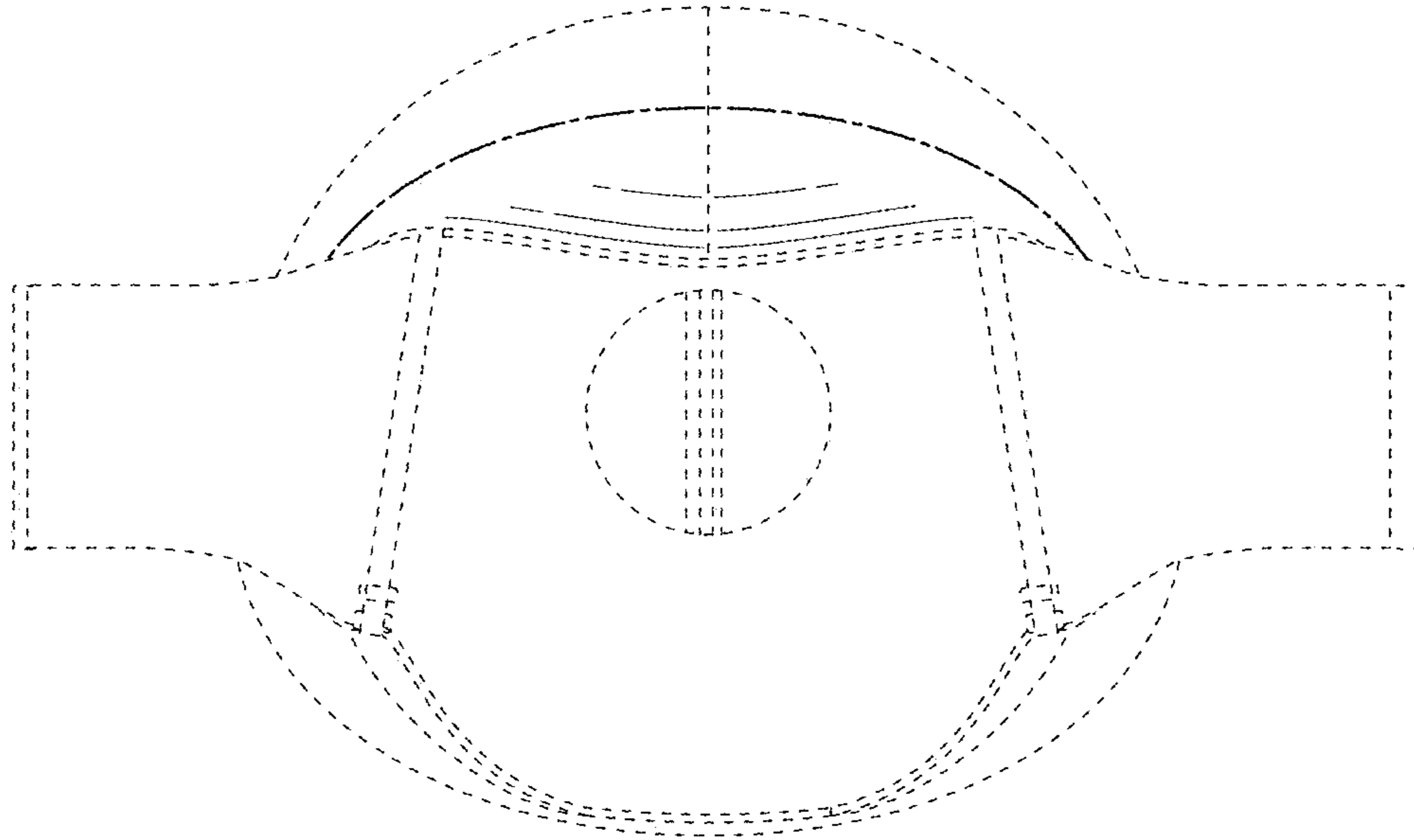


FIG. 41

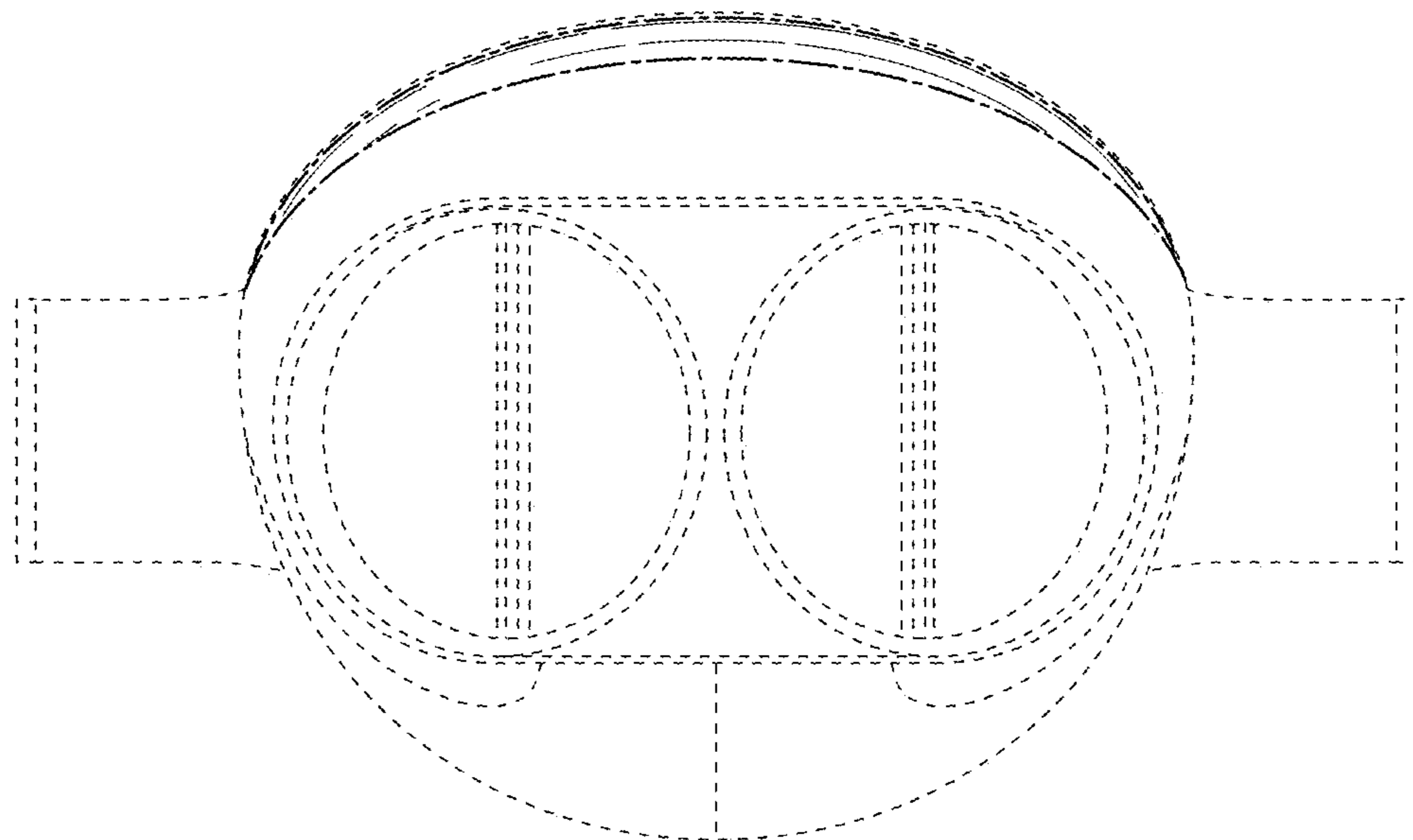


FIG. 42