



US00D977217S

(12) **United States Design Patent** (10) **Patent No.:** **US D977,217 S**
Abbott (45) **Date of Patent:** **** Jan. 31, 2023**

(54) **BEACH CLEANING STATION**
(71) Applicant: **Andrew Abbott**, Loxahatchee, FL (US)
(72) Inventor: **Andrew Abbott**, Loxahatchee, FL (US)
(**) Term: **15 Years**
(21) Appl. No.: **29/765,542**
(22) Filed: **Jan. 8, 2021**
(51) **LOC (14) Cl.** **09-09**
(52) **U.S. Cl.**
USPC **D34/10; D6/675**
(58) **Field of Classification Search**
USPC D6/657, 672, 673, 675, 682.2; D34/1, 5,
D34/10, 11
CPC E04B 1/34321; E04B 7/166; E04B 1/346;
E04H 1/1205; A47B 17/04; A47B 47/03;
A47B 67/02; A61G 7/1011; A61G
7/1017; A61G 7/1046; A61G 7/1021;
A61G 5/1059; A61G 5/0858
See application file for complete search history.

D436,761 S * 1/2001 Stravitz D6/675
D495,527 S * 9/2004 Walker D6/657
D522,769 S * 6/2006 Davis D6/673
D607,232 S * 1/2010 Bojie E03C 1/01
D676,262 S * 2/2013 Lim D6/675.1
D676,686 S * 2/2013 Lim D6/675.1
D676,687 S * 2/2013 Lim D6/675.1
D676,688 S * 2/2013 Lim D6/675.1
D677,076 S * 3/2013 Olson D6/675
D688,806 S * 8/2013 Phillips D25/33
D689,622 S * 9/2013 Thuma D25/33
D702,975 S * 4/2014 Stanavich D6/683.1
D718,557 S * 12/2014 Johnston D6/675.5
D728,824 S * 5/2015 McKimmy D25/33
9,051,083 B1 * 6/2015 Davis B65D 43/0212
D777,395 S * 1/2017 Rew D34/10

(Continued)

Primary Examiner — Steven J Cxyz
(74) Attorney, Agent, or Firm — McHale & Slavin, P.A.

(57) **CLAIM**

The ornamental design for a beach cleaning station, as shown and described.

DESCRIPTION

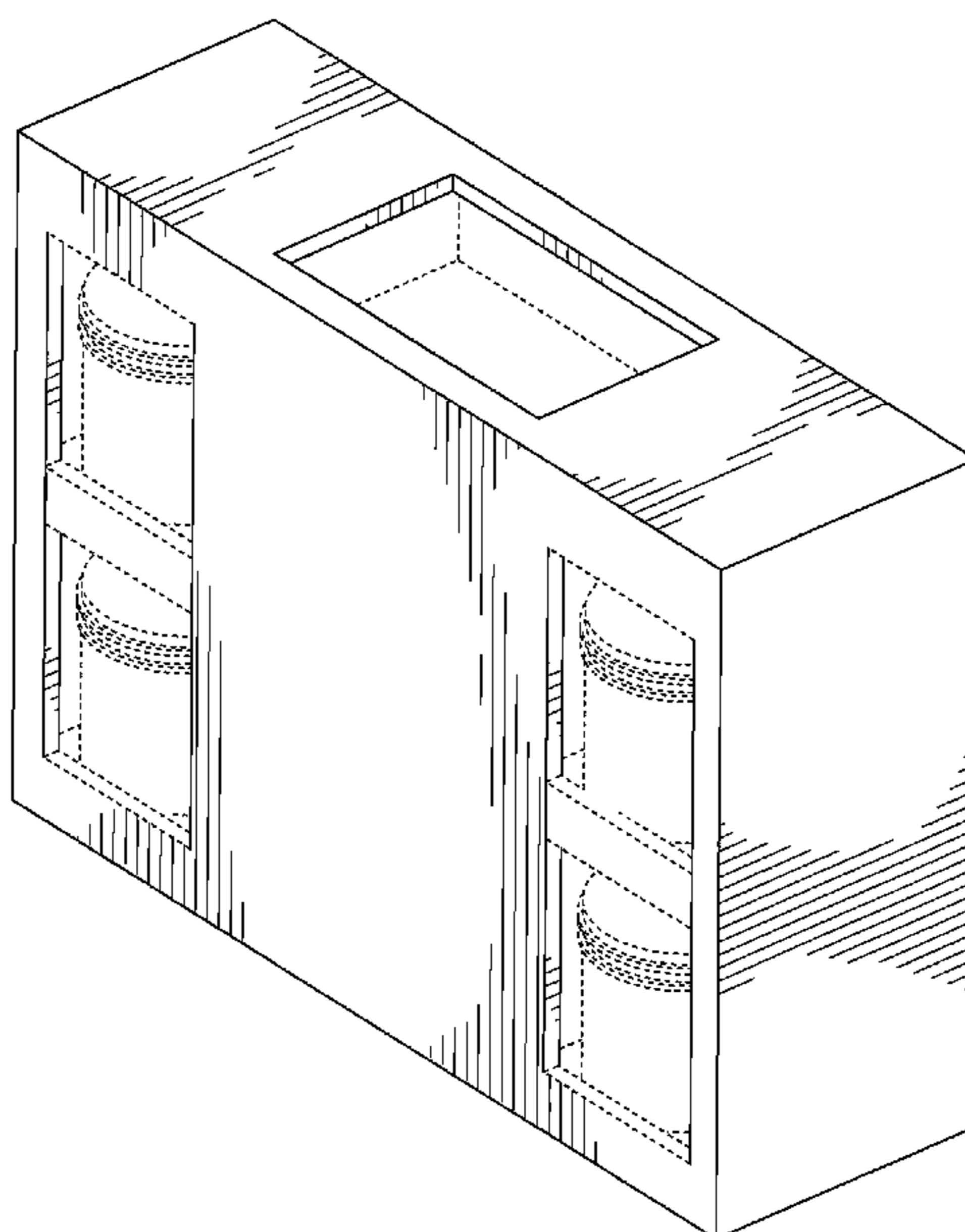
FIG. 1 is a front perspective view of a beach cleaning station;
FIG. 2 is a rear perspective view thereof;
FIG. 3 is a front view thereof;
FIG. 4 is a rear view thereof;
FIG. 5 is a left side view thereof;
FIG. 6 is a right side view thereof;
FIG. 7 is a top view thereof;
FIG. 8 is a bottom view thereof; and,
FIG. 9 is a front perspective view of the beach cleaning station, shown in use with buckets placed within the station. The portions of the Figures illustrated in broken lines form no part of the claimed subject matter.

1 Claim, 7 Drawing Sheets

(56) **References Cited**

U.S. PATENT DOCUMENTS

5,029,724 A * 7/1991 Serio B65D 55/14
292/205
5,044,644 A * 9/1991 Duran B62B 3/10
280/47.35
5,076,458 A * 12/1991 Weiner B65F 1/1426
D34/1
D326,378 S * 5/1992 Yunger D6/675
D329,516 S * 9/1992 Bailly D34/5
D337,188 S * 7/1993 Bonskowski D6/683
5,392,942 A * 2/1995 Hanson B65F 1/00
220/826
D365,226 S * 12/1995 Goebel D6/675.2
5,683,126 A * 11/1997 De Vivo B65F 1/1615
292/210
D414,386 S * 9/1999 Meyers D7/707



(56)

References Cited

U.S. PATENT DOCUMENTS

D799,775 S * 10/2017 Bowen D34/4
D815,464 S * 4/2018 Caillouet D6/657
D821,675 S * 6/2018 Burns D34/25
D825,228 S * 8/2018 Grupenhof D6/675
D859,770 S * 9/2019 Burns D34/25
D862,947 S * 10/2019 Grupenhof D6/675
D932,650 S * 10/2021 Leng D25/33
D949,503 S * 4/2022 Abbott D34/10
D949,504 S * 4/2022 Abbott D34/10
D964,682 S * 9/2022 Abbott D34/10
D964,683 S * 9/2022 Abbott D34/10
D965,939 S * 10/2022 Xiao D34/1
2005/0005785 A1 * 1/2005 Poss B65F 1/1405
100/240
2007/0125778 A1 * 6/2007 Uffner B65F 1/1615
220/4.28
2010/0043309 A1 * 2/2010 Martin E03C 1/01
52/79.5
2013/0000218 A1 * 1/2013 Uffner E04B 1/34321
52/79.1
2014/0158702 A1 * 6/2014 Phillips A47B 47/0066
220/832
2017/0020283 A1 * 1/2017 Hokanson A47B 81/00
2017/0190509 A1 * 7/2017 Reeb B65F 1/1615
2018/0056336 A1 * 3/2018 Castelli B07C 7/005
2020/0263473 A1 * 8/2020 Leng A45C 5/04
2020/0263474 A1 * 8/2020 Leng E05F 1/1091
2021/0123230 A1 * 4/2021 Good E04H 1/1205
2021/0245952 A1 * 8/2021 Tassinari D06F 95/002

* cited by examiner

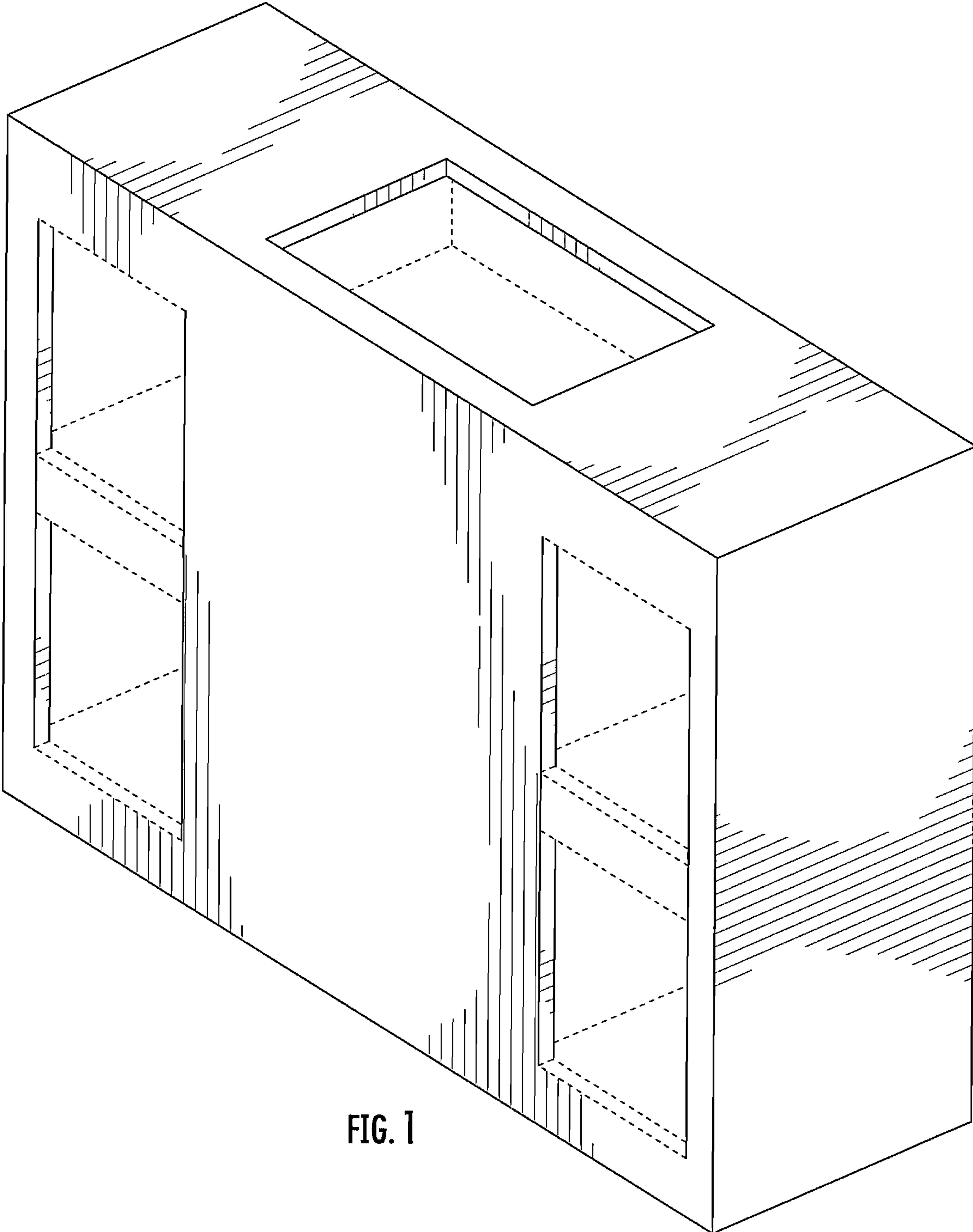


FIG. 1

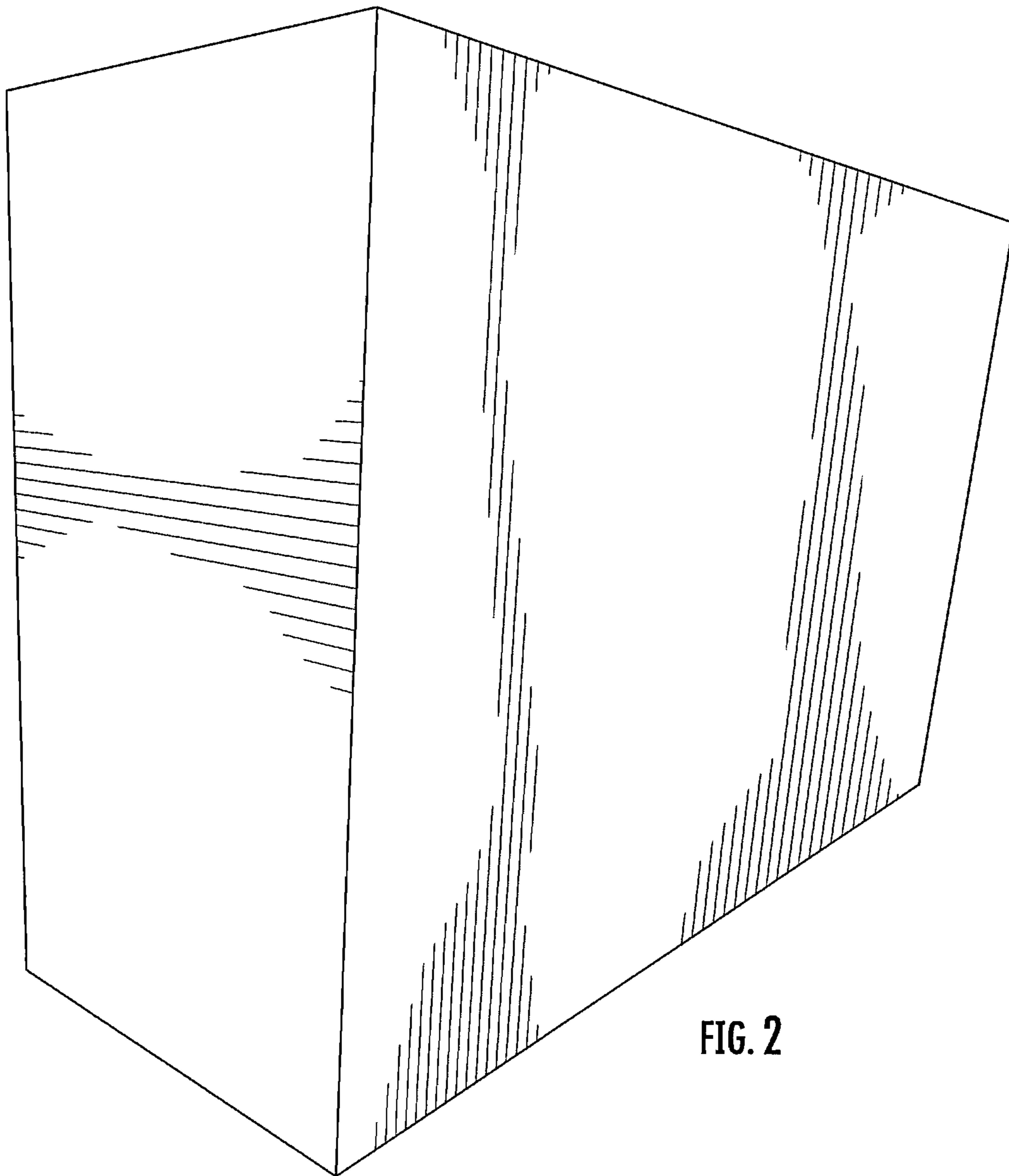


FIG. 2

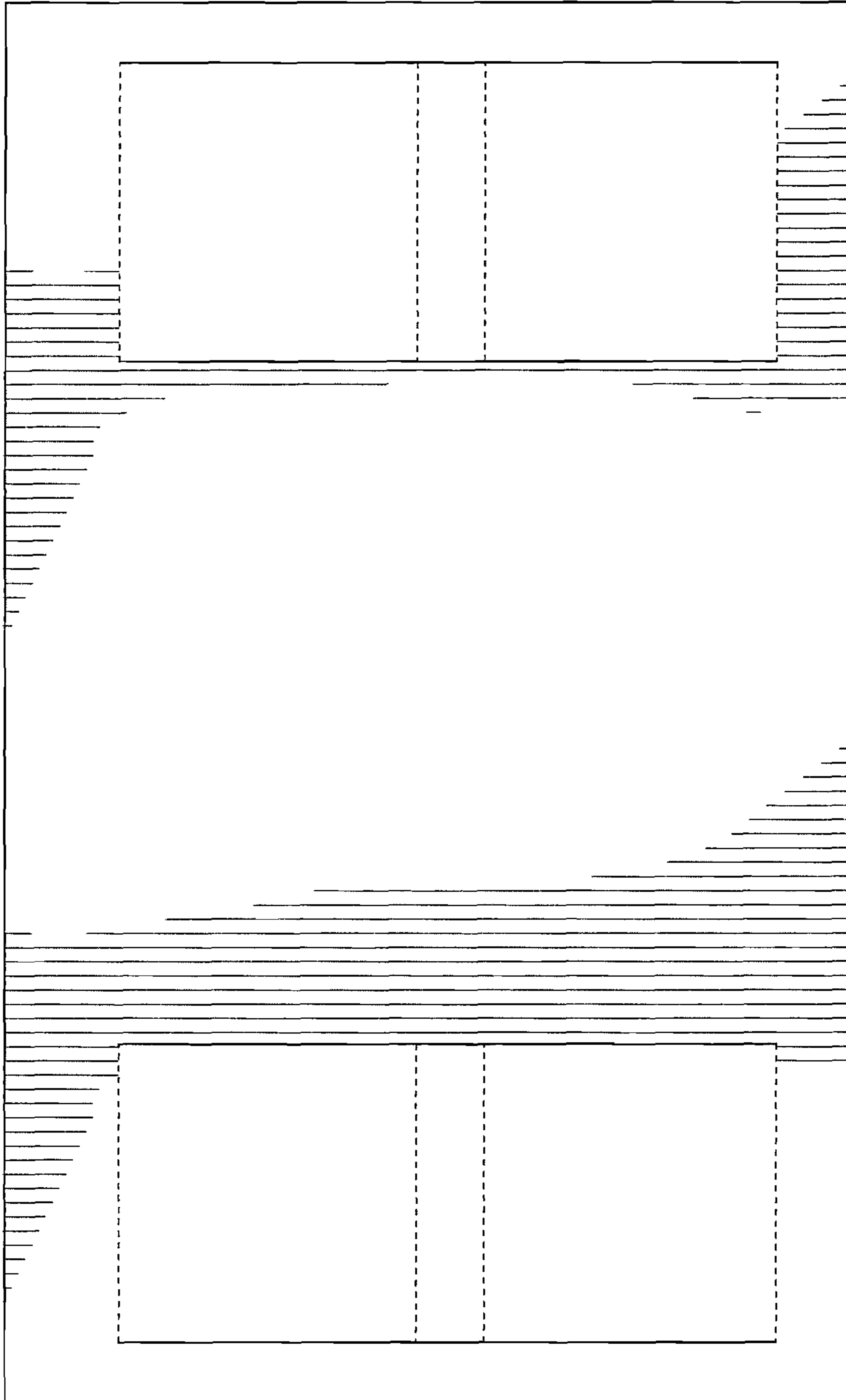


FIG. 3

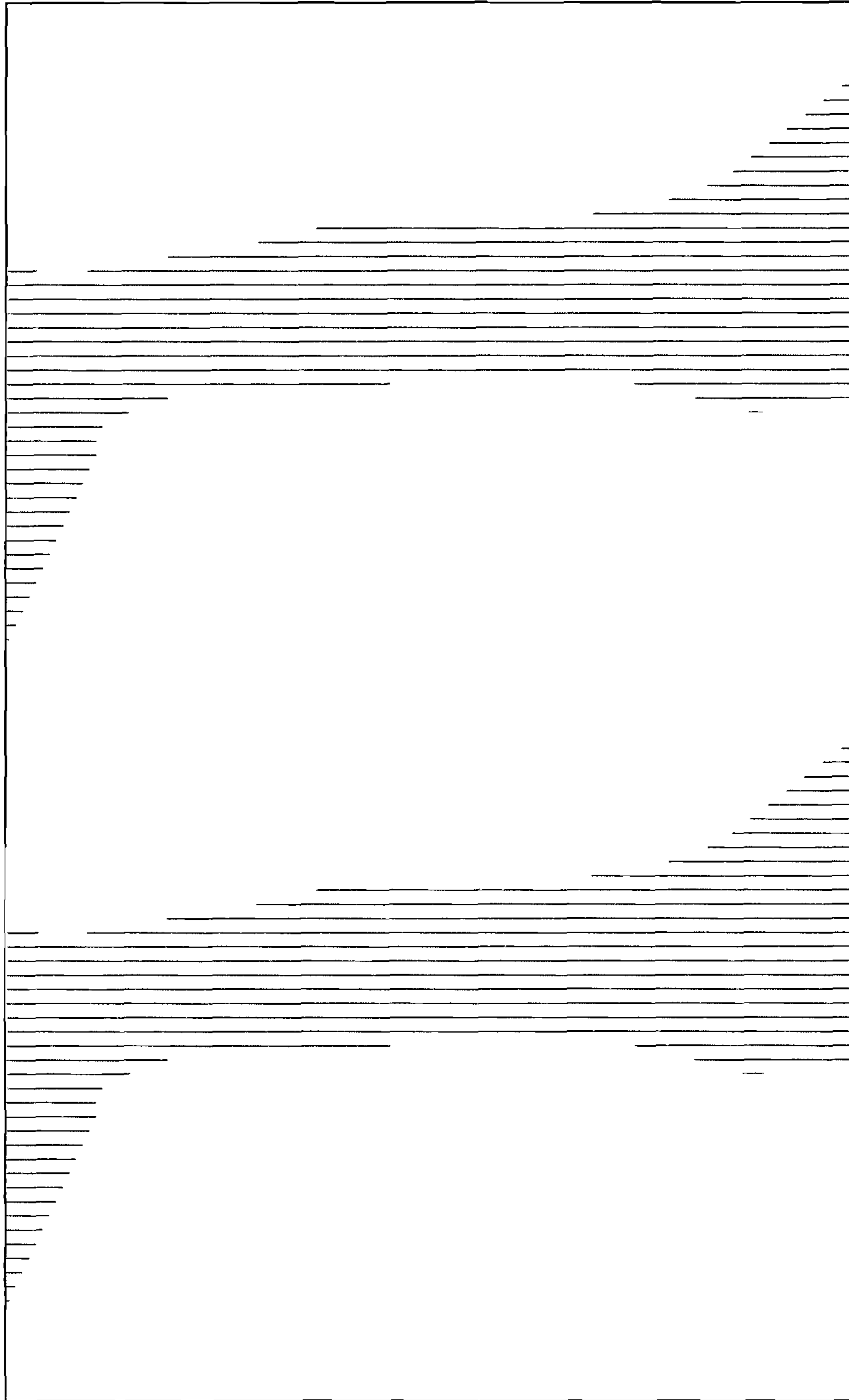


FIG. 4

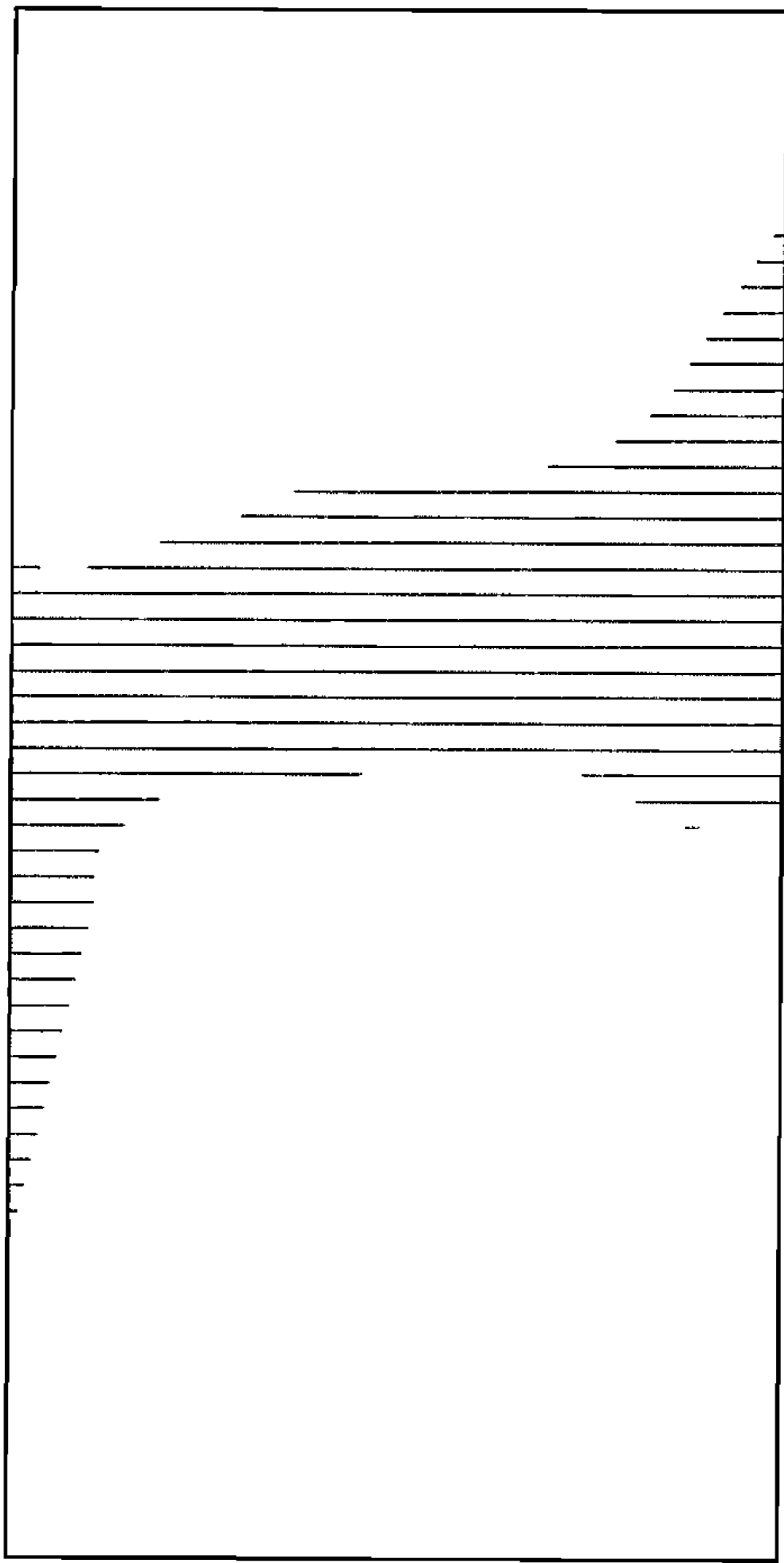


FIG. 5

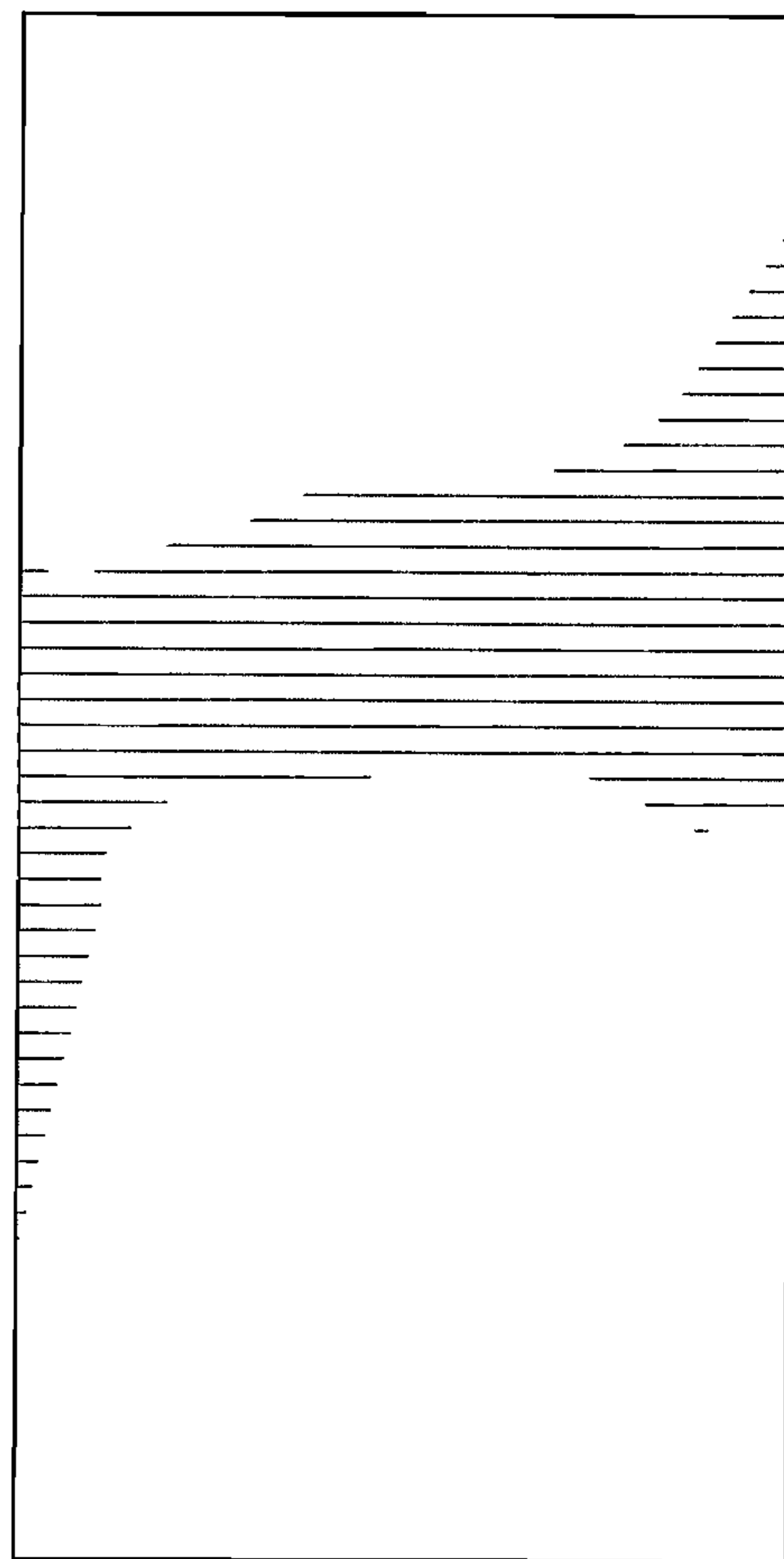


FIG. 6

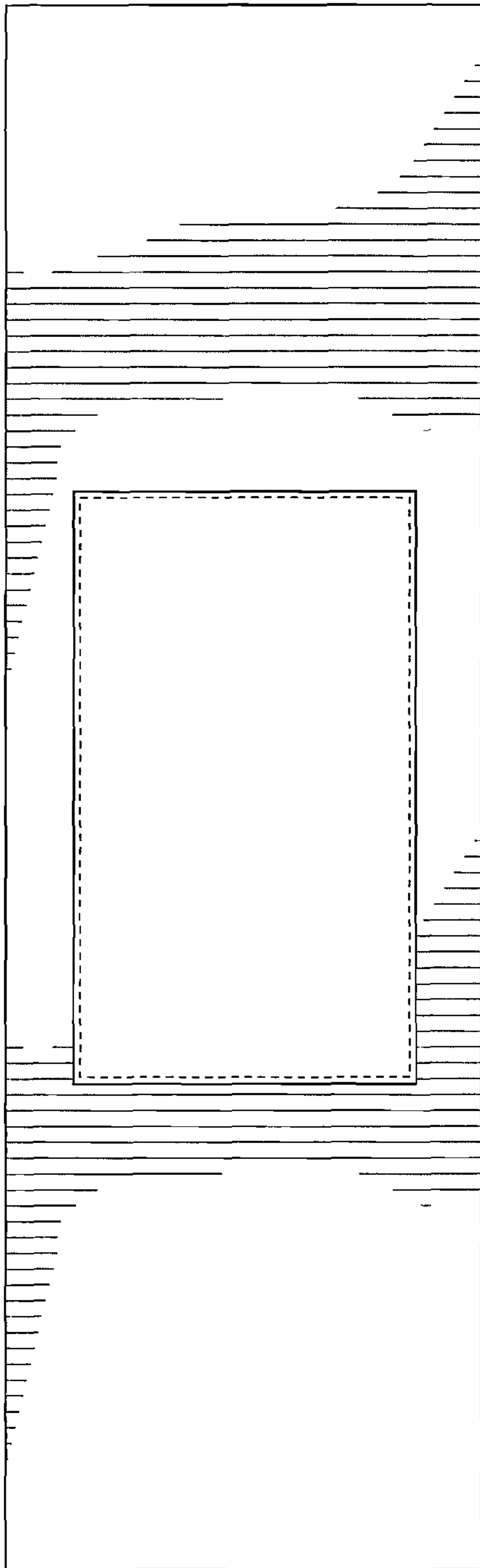


FIG. 7

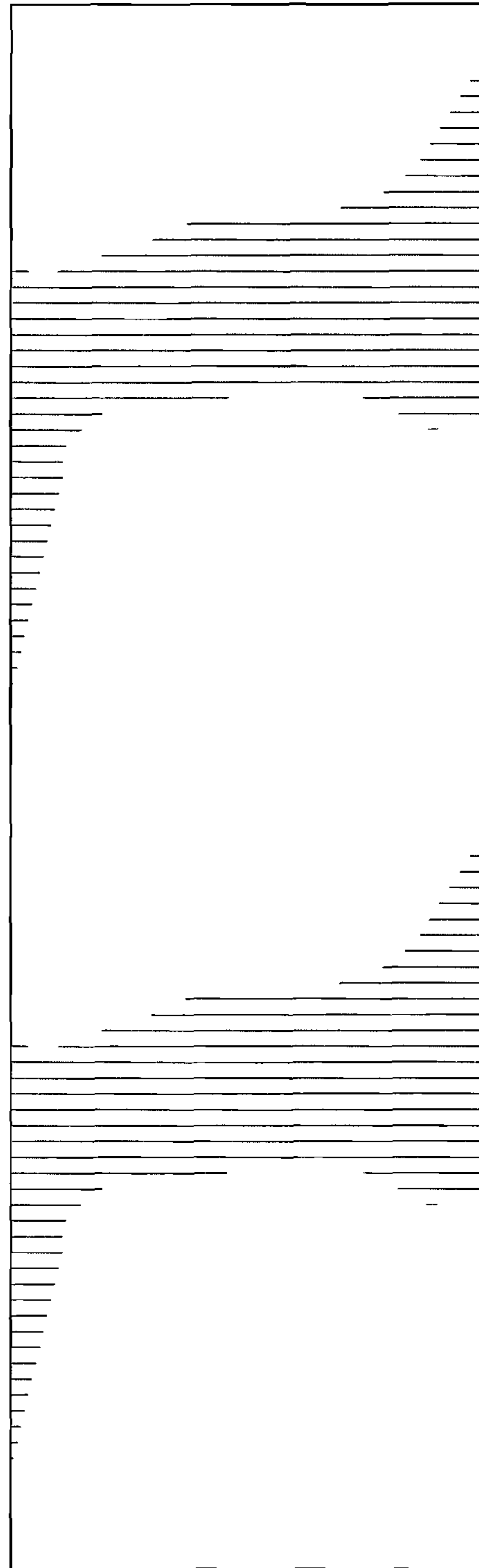


FIG. 8

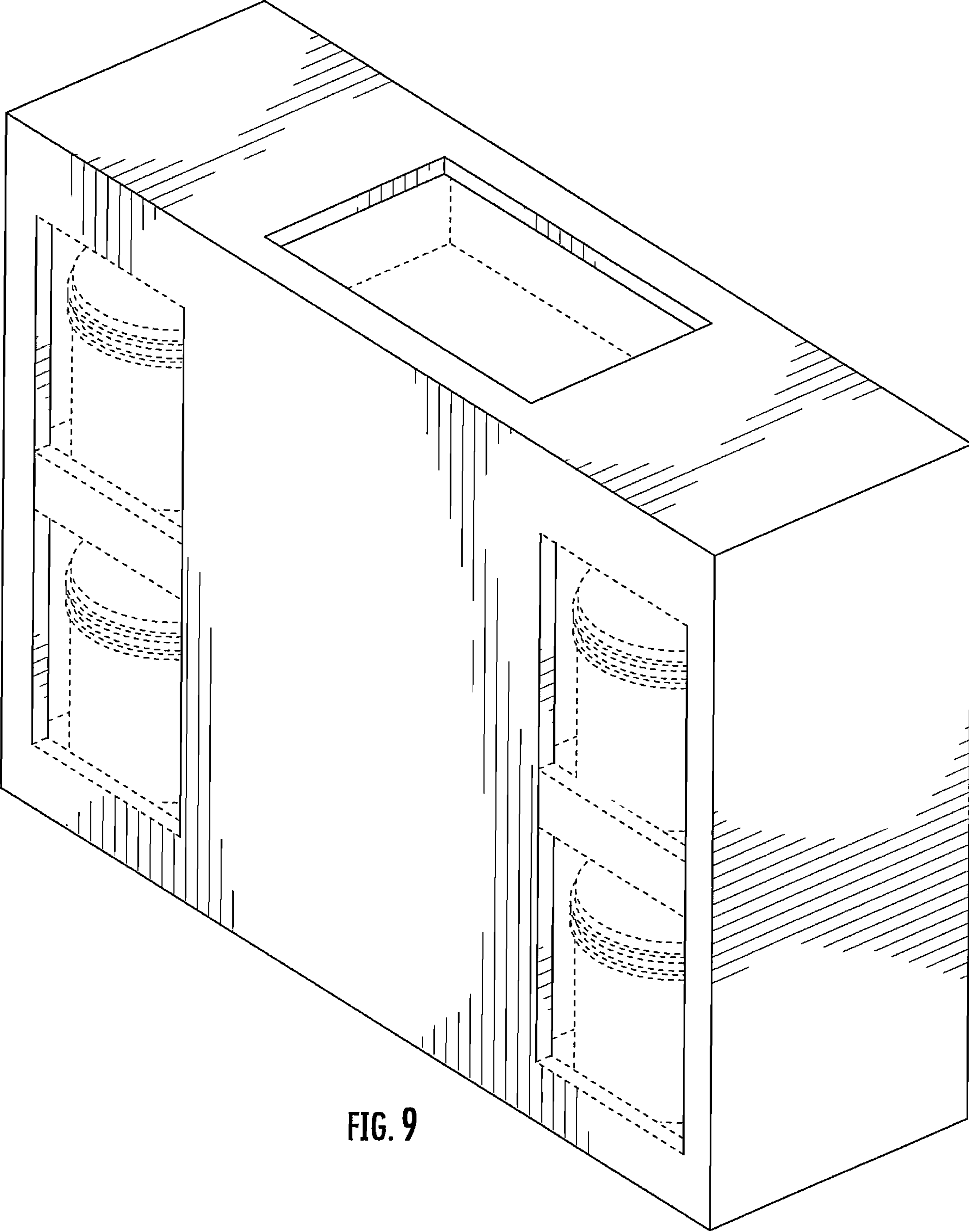


FIG. 9