



US00D977216S

(12) **United States Design Patent** (10) **Patent No.:** **US D977,216 S**  
**Yu** (45) **Date of Patent:** **\*\* Jan. 31, 2023**

(54) **BROOM AND DUSTPAN SET**

(71) Applicant: **Wuyi Zhisen household products Co., Ltd.**, Zhejiang (CN)

(72) Inventor: **Wenjian Yu**, Zhejiang (CN)

(\*\*) Term: **15 Years**

(21) Appl. No.: **29/834,507**

(22) Filed: **Apr. 12, 2022**

(51) **LOC (14) Cl.** ..... **07-05**

(52) **U.S. Cl.**  
USPC ..... **D32/50**

(58) **Field of Classification Search**  
USPC ..... D4/100, 118, 130–135; D32/30, 40, 42,  
D32/44, 45, 50–52

(Continued)

(56) **References Cited**

**U.S. PATENT DOCUMENTS**

6,877,181 B2 \* 4/2005 Laux ..... A46B 15/00  
D32/42

D521,201 S 5/2006 Iacchetti  
(Continued)

**FOREIGN PATENT DOCUMENTS**

CN 108888205 A \* 11/2018 ..... A47L 13/10  
CN 305064767 \* 3/2019

(Continued)

**OTHER PUBLICATIONS**

Amazon.com\_ FGY Broom and Dustpan Set <https://www.amazon.com/FGY-Broom-Dustpan-Set-Lightweight/dp/B094C5296S?th=1>  
(Year: 2021).\*

(Continued)

*Primary Examiner* — Kevin K Rudzinski  
*Assistant Examiner* — Richard E Yenchesky

(74) *Attorney, Agent, or Firm* — Che-Yang Chen; Law Office of Michael Chen

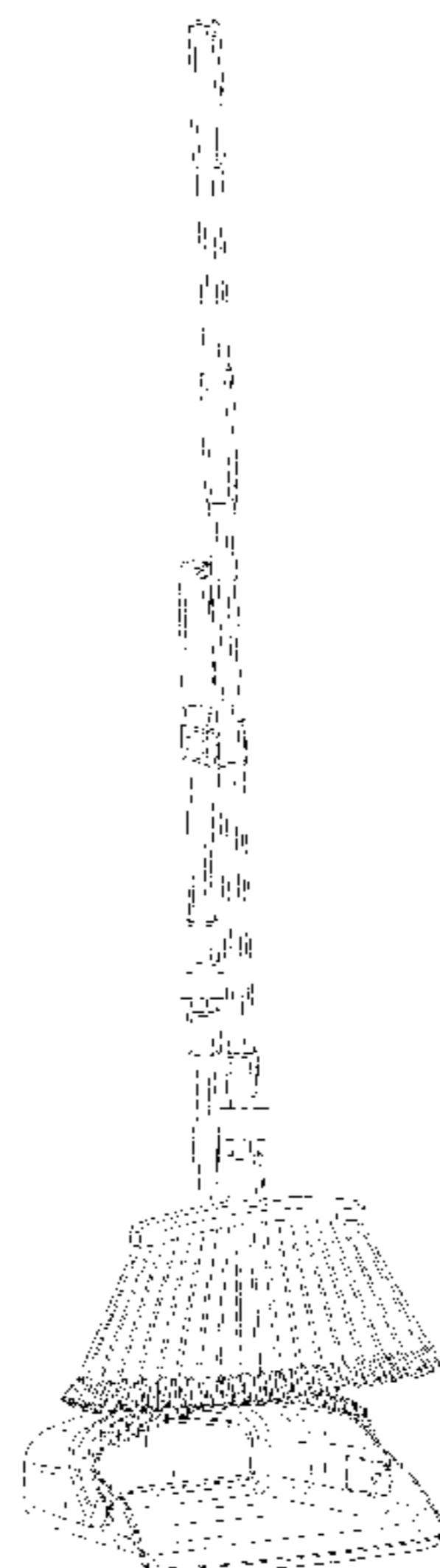
(57) **CLAIM**

The ornamental design for a broom and dustpan set, as shown and described.

**DESCRIPTION**

FIG. 1 is a perspective view of the broom showing my new design;  
FIG. 2 is a front elevational view thereof;  
FIG. 3 is a rear elevational view thereof;  
FIG. 4 is a left side elevational view thereof;  
FIG. 5 is a right side elevational view thereof;  
FIG. 6 is a top plan view thereof;  
FIG. 7 is a bottom plan view thereof;  
FIG. 8 is an enlarged view of a portion indicated with numeric 8 in FIG. 1;  
FIG. 9 is a perspective view of the dustpan showing my new design;  
FIG. 10 is a perspective view of FIG. 9 from another angle;  
FIG. 11 is a front elevational view of FIG. 9;  
FIG. 12 is a rear elevational view of FIG. 9;  
FIG. 13 is a left side elevational view of FIG. 9;  
FIG. 14 is a right side elevational view of FIG. 9;  
FIG. 15 is a top plan view of FIG. 9;  
FIG. 16 is a bottom plan view of FIG. 9;  
FIG. 17 is an enlarged view of a portion indicated with numeric 17 in FIG. 9;  
FIG. 18 is a perspective and assembled view of the broom and dustpan set;  
FIG. 19 is a perspective view of the broom and dustpan set when in use;  
FIG. 20 is a perspective view from another angle of FIG. 19; and,  
FIG. 21 is a perspective and assembled view of the broom and dustpan set from a different angle.  
The broken lines shown in the drawings are included for the purpose of illustrating portions of the broom and dustpan set that form no part of the claimed design.

**1 Claim, 21 Drawing Sheets**



(58) **Field of Classification Search**  
 CPC ... A47L 5/22; A47L 5/24; A47L 13/52; A46B  
 5/0041; A46B 5/0095  
 See application file for complete search history.

2019/0167063 A1\* 6/2019 Balz ..... B25G 1/10  
 2019/0200833 A1\* 7/2019 Henao ..... A47L 13/16  
 2019/0254411 A1\* 8/2019 Staniszewski ..... A46B 5/0041  
 2021/0068609 A1\* 3/2021 Bajwa ..... A47L 13/52

(56) **References Cited**

U.S. PATENT DOCUMENTS

D699,412 S 2/2014 Smith  
 D785,948 S \* 5/2017 Weaver ..... D4/135  
 D786,520 S \* 5/2017 Thoma ..... D32/50  
 D841,272 S \* 2/2019 Libman ..... D32/50  
 D897,620 S \* 9/2020 Libman ..... D32/50  
 D915,018 S \* 3/2021 Fosh ..... D32/50  
 11,013,312 B2 \* 5/2021 Staniszewski ..... A46B 5/0041  
 D930,309 S \* 9/2021 Libman ..... D32/50  
 D949,501 S \* 4/2022 Wang ..... D32/52  
 2014/0182074 A1 \* 7/2014 Mark ..... A47L 13/24  
 15/105  
 2016/0113382 A1 \* 4/2016 Sampaio ..... A46B 17/08  
 15/104.8

FOREIGN PATENT DOCUMENTS

CN 112120622 A \* 12/2020 ..... A47L 13/50  
 CN 113287992 A \* 8/2021 ..... A47L 13/52  
 CN 113317613 A \* 8/2021  
 KR 102338353 B1 \* 12/2021  
 WO WO-2019089079 A1 \* 5/2019 ..... A46B 15/0055  
 WO WO-2019182585 A1 \* 9/2019 ..... A46B 17/04

OTHER PUBLICATIONS

Amazon.com\_ Broom and Dustpan Set <https://www.amazon.com/Dustpan-Kitchen-Outdoor-Cleaning-Standing/dp/B08KGKK33Q?th=1> (Year: 2021).\*

\* cited by examiner

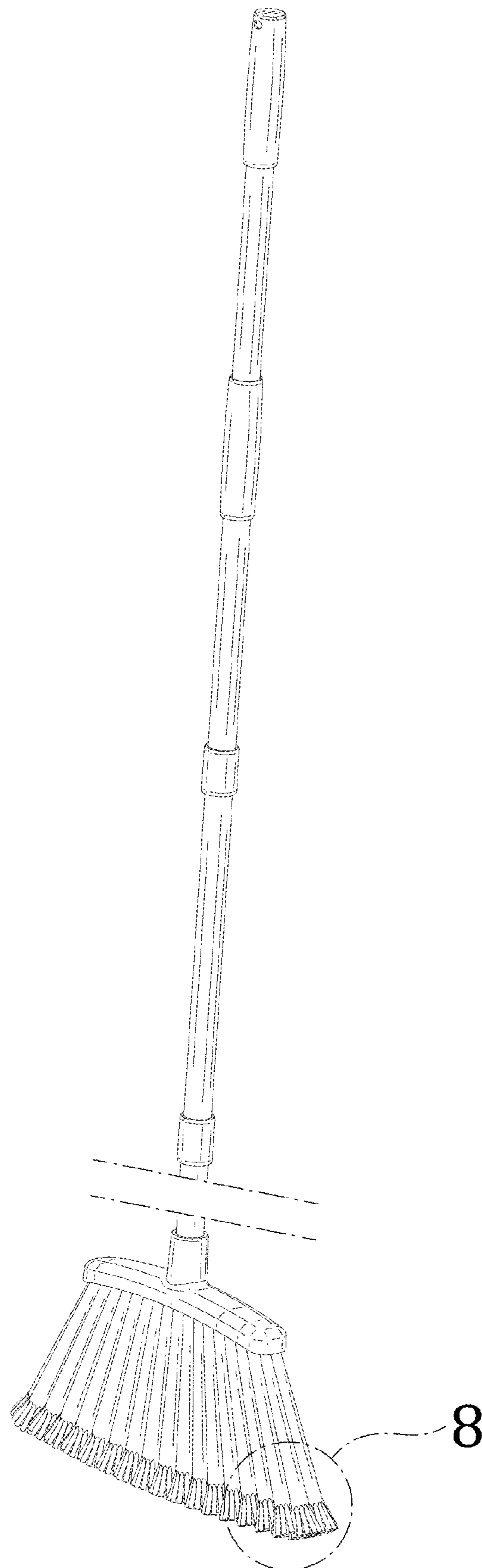


FIG. 1

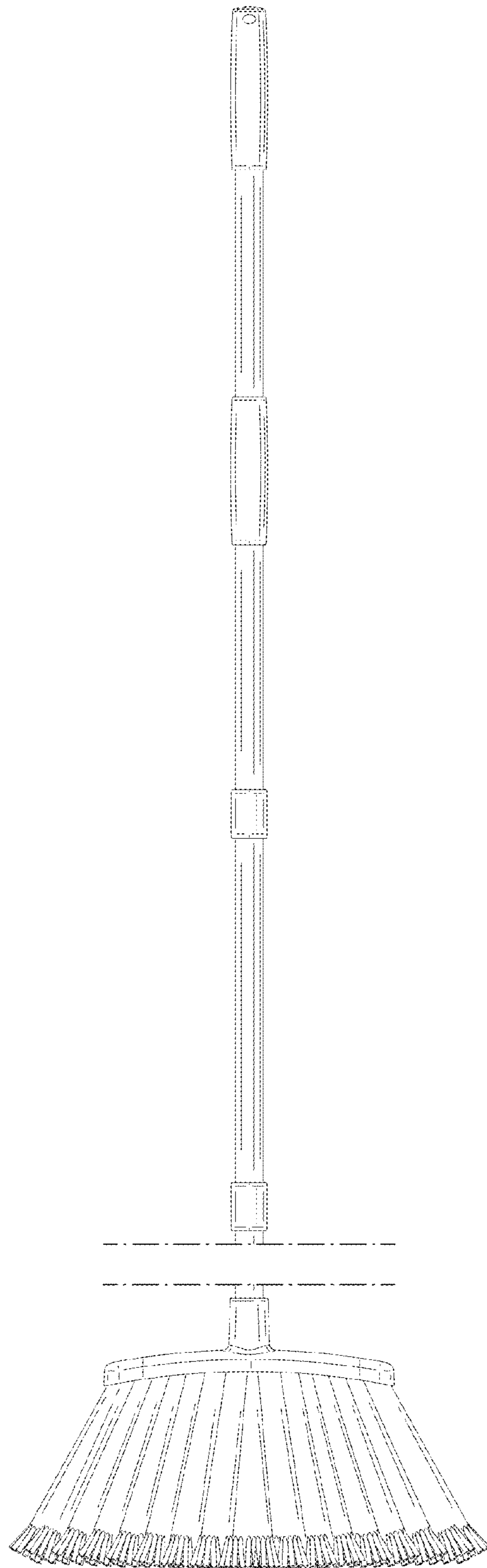


FIG. 2

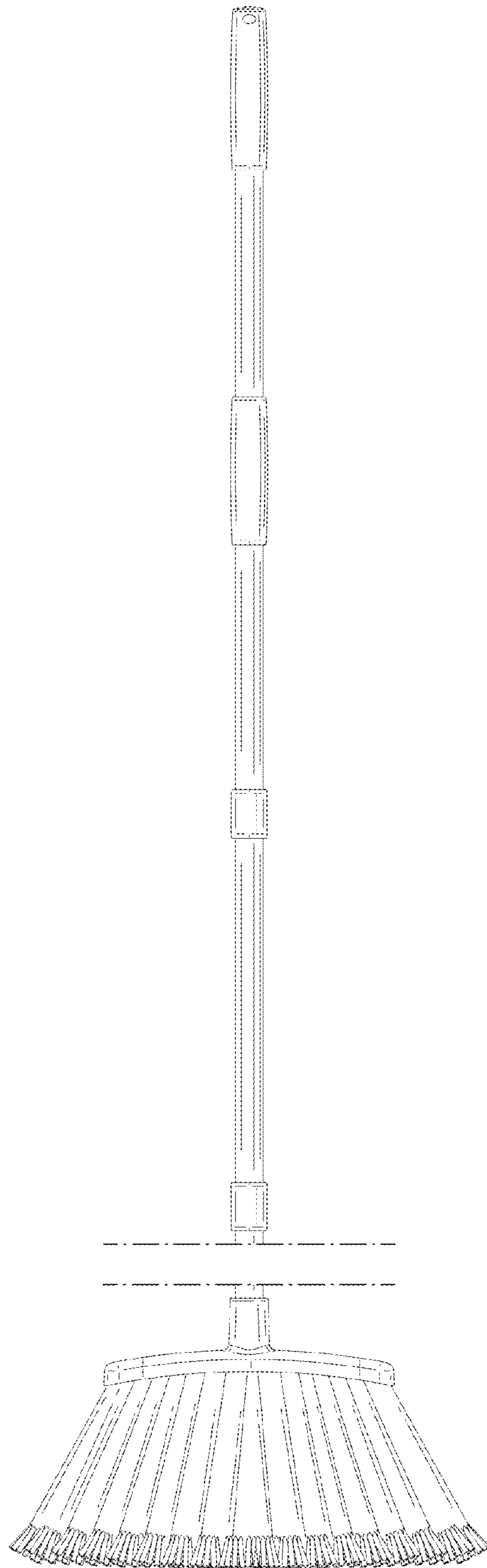


FIG. 3

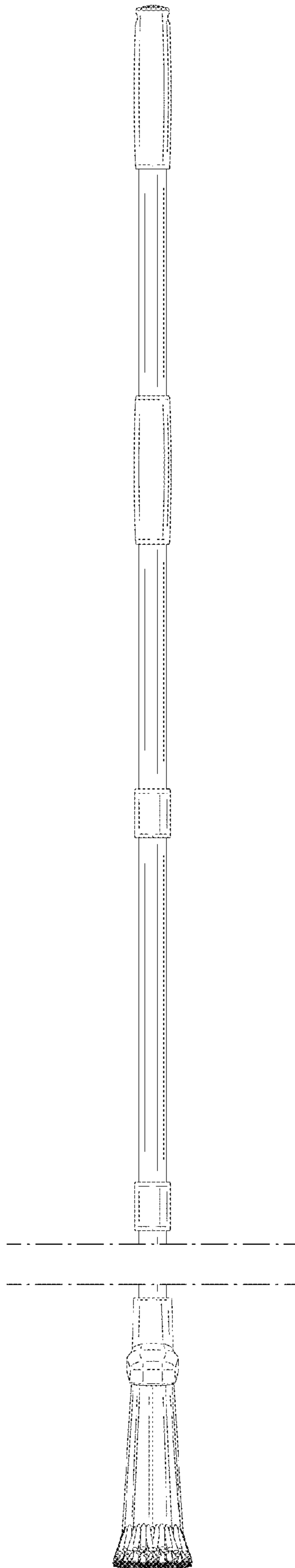


FIG. 4

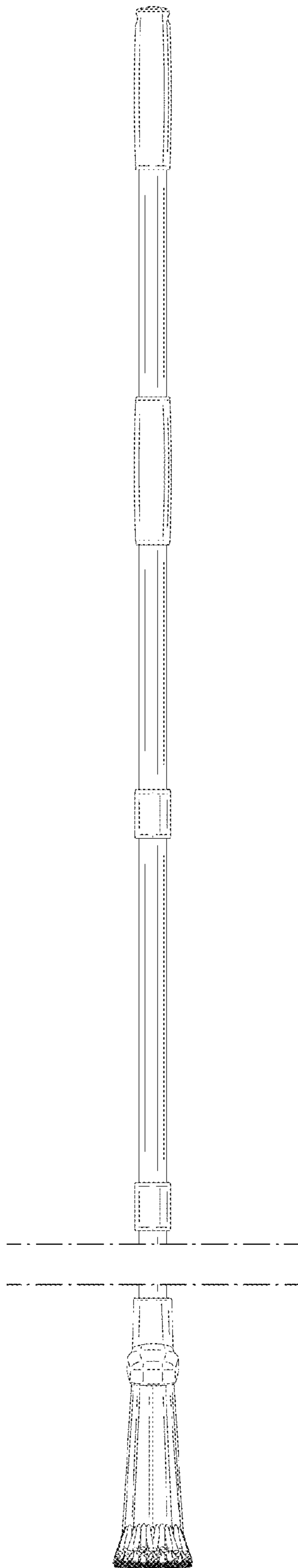


FIG. 5

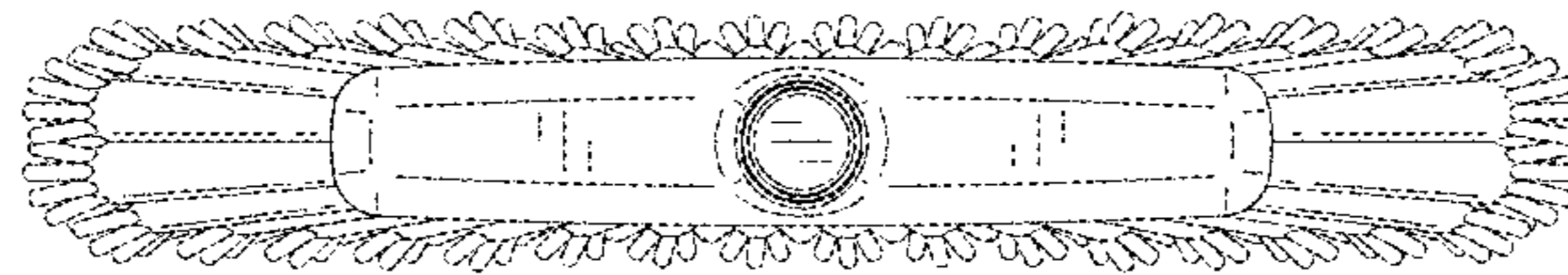


FIG. 6



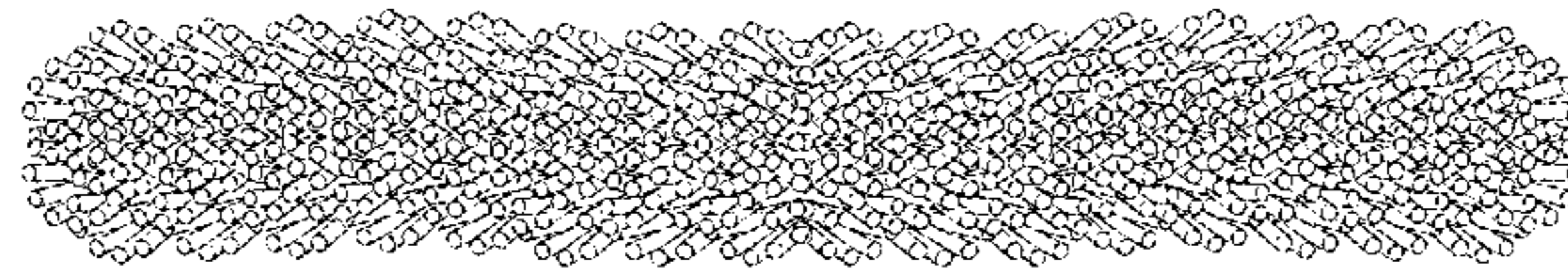


FIG. 7

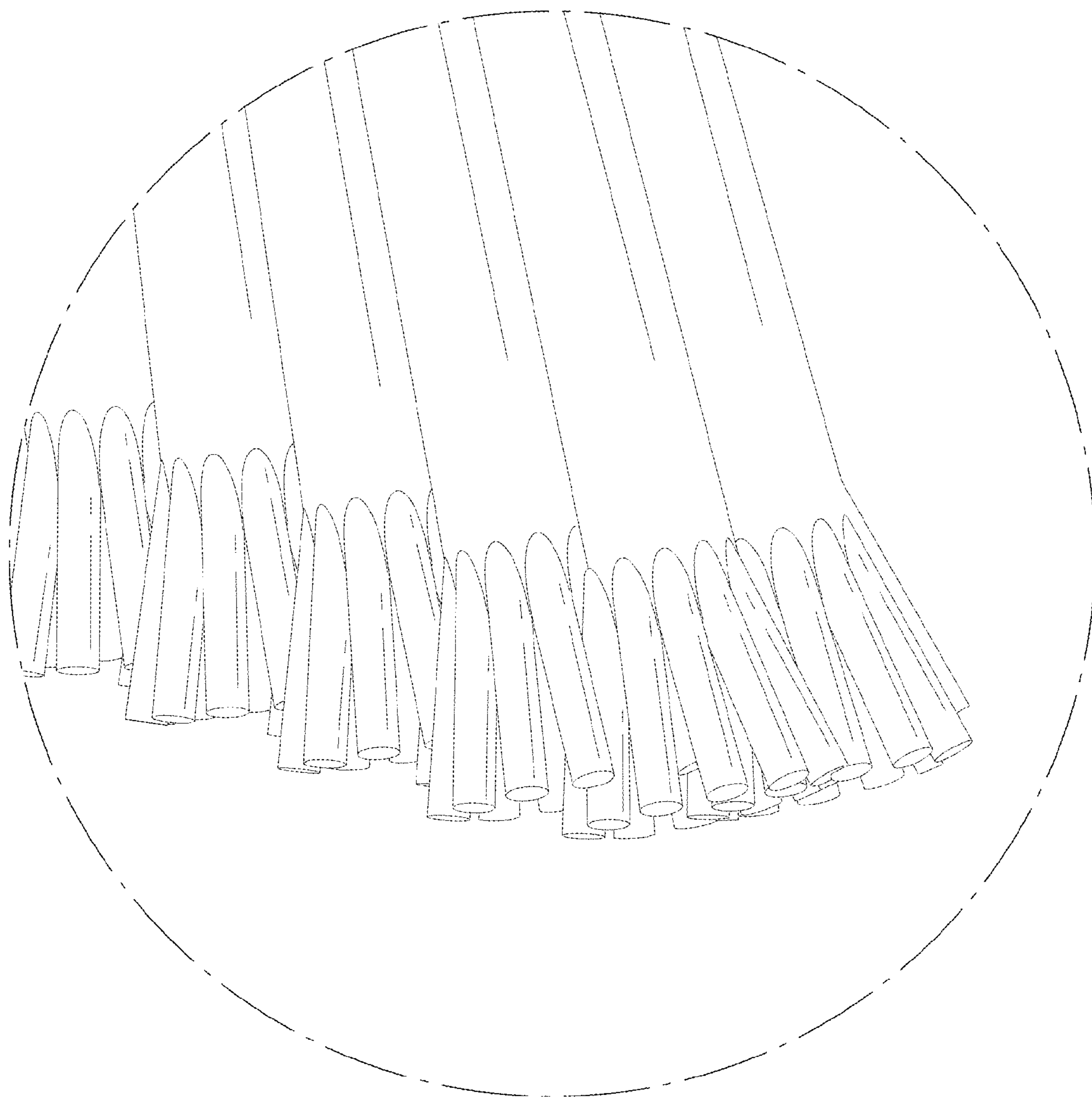


FIG. 8

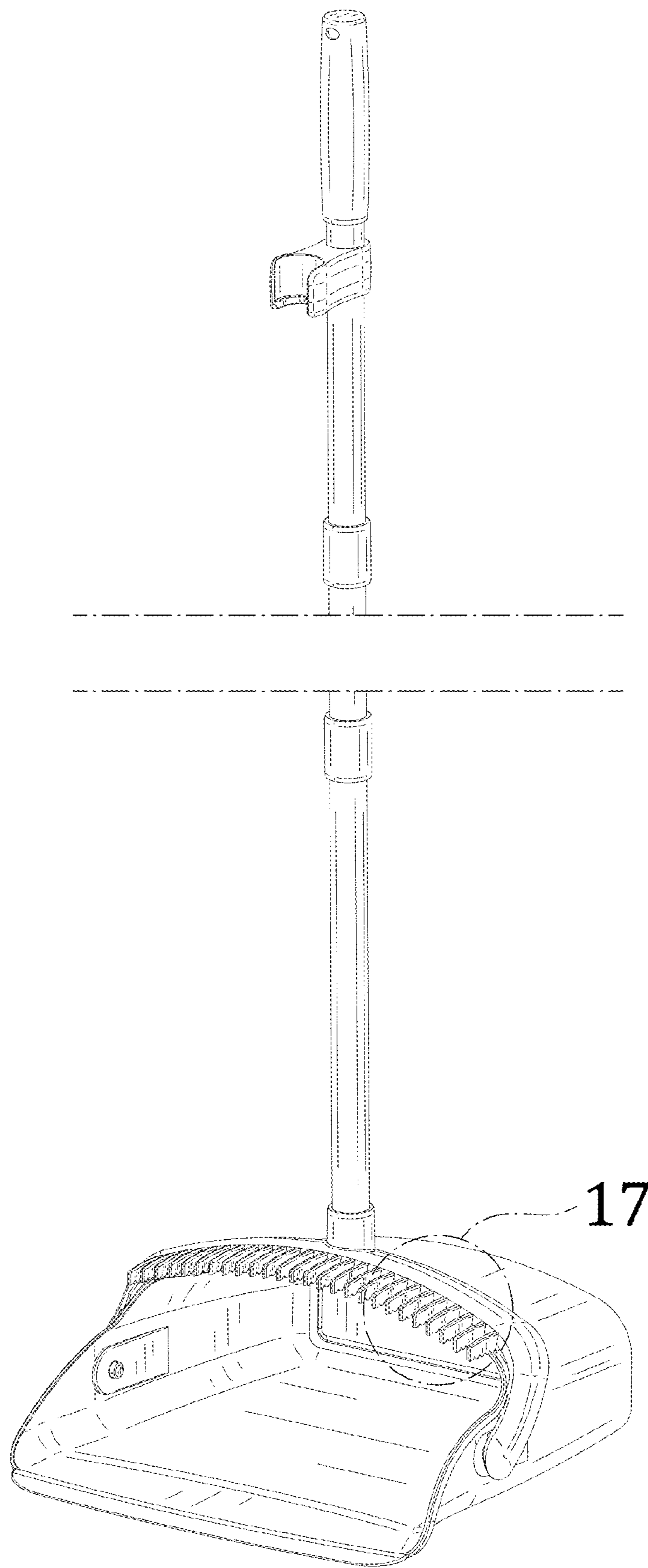


FIG. 9

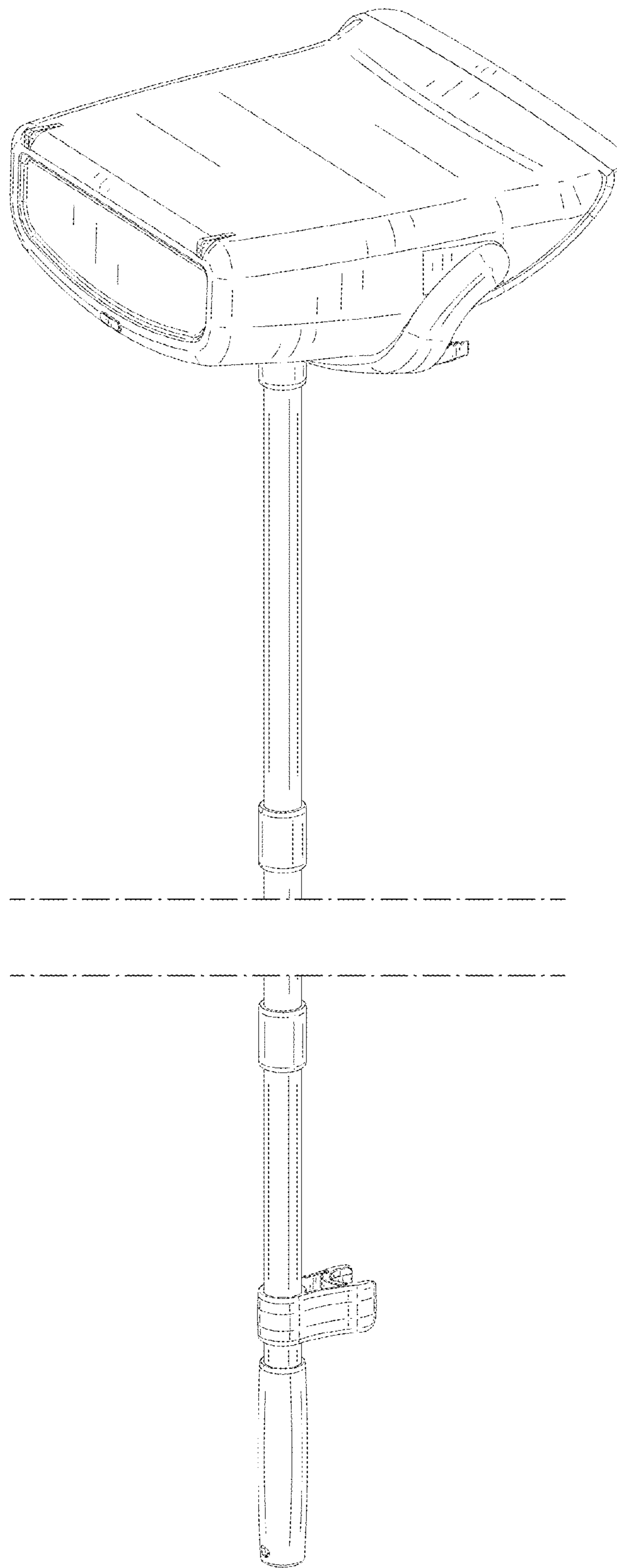


FIG. 10

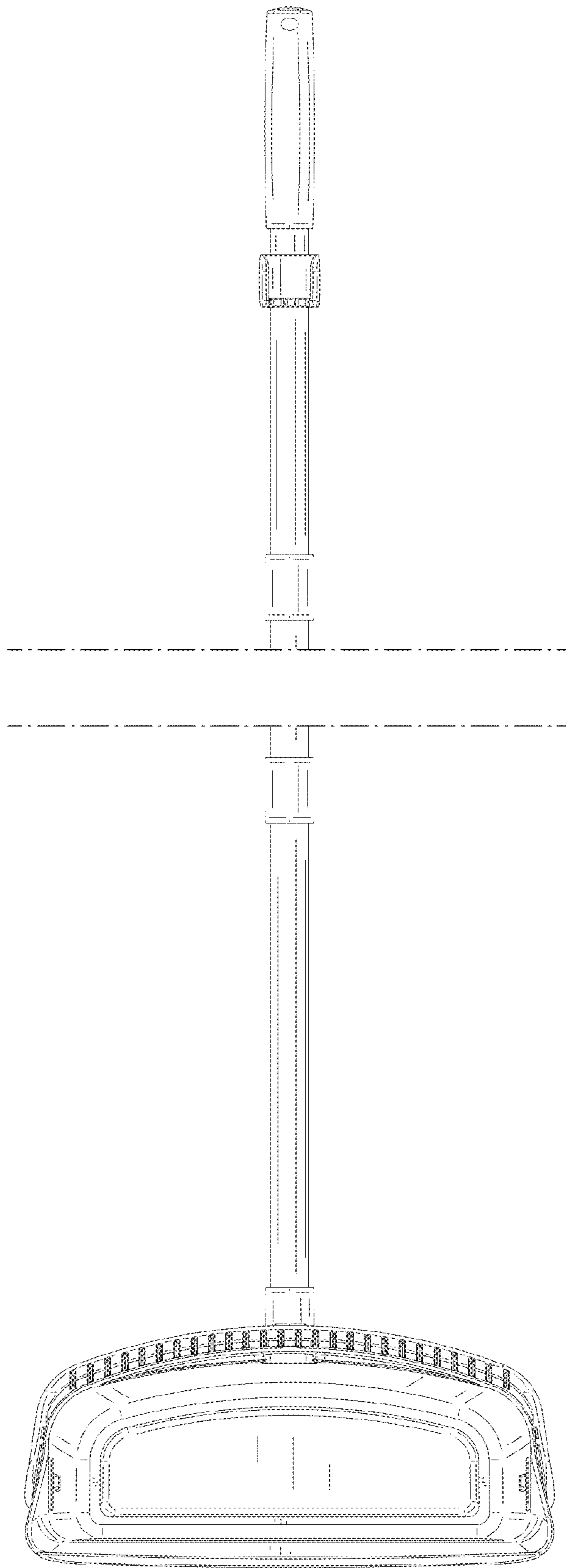


FIG. 11

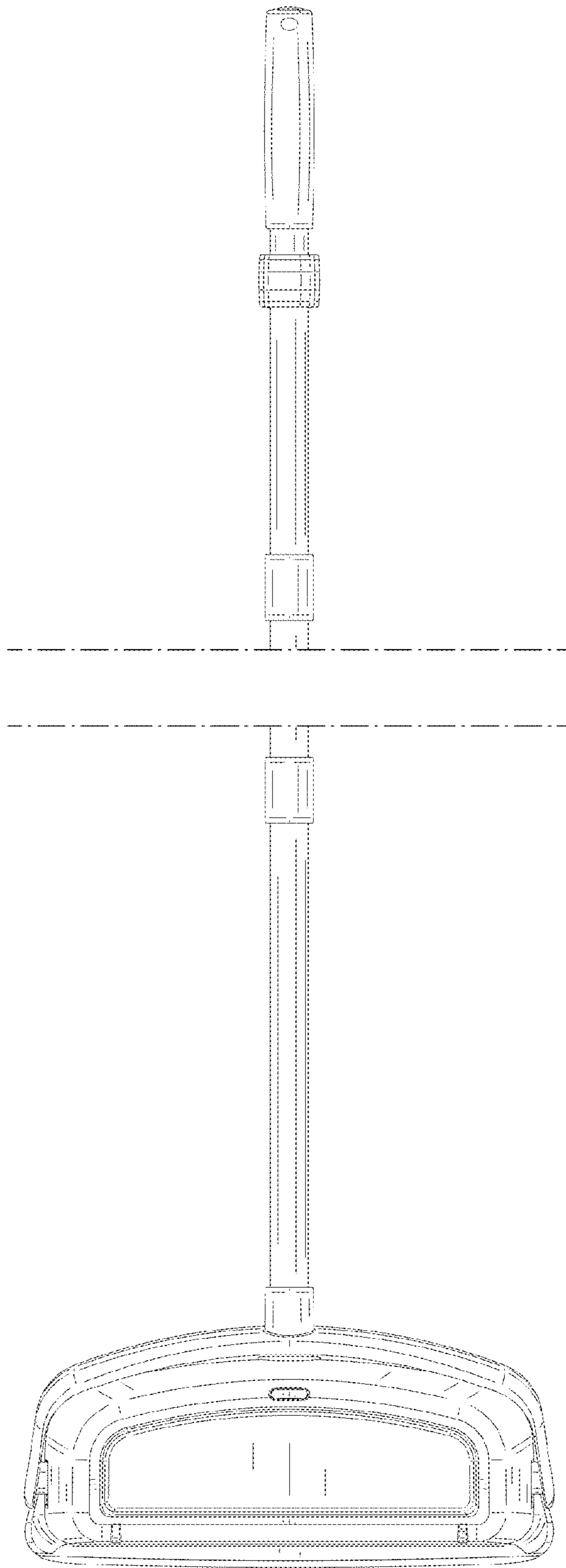


FIG. 12

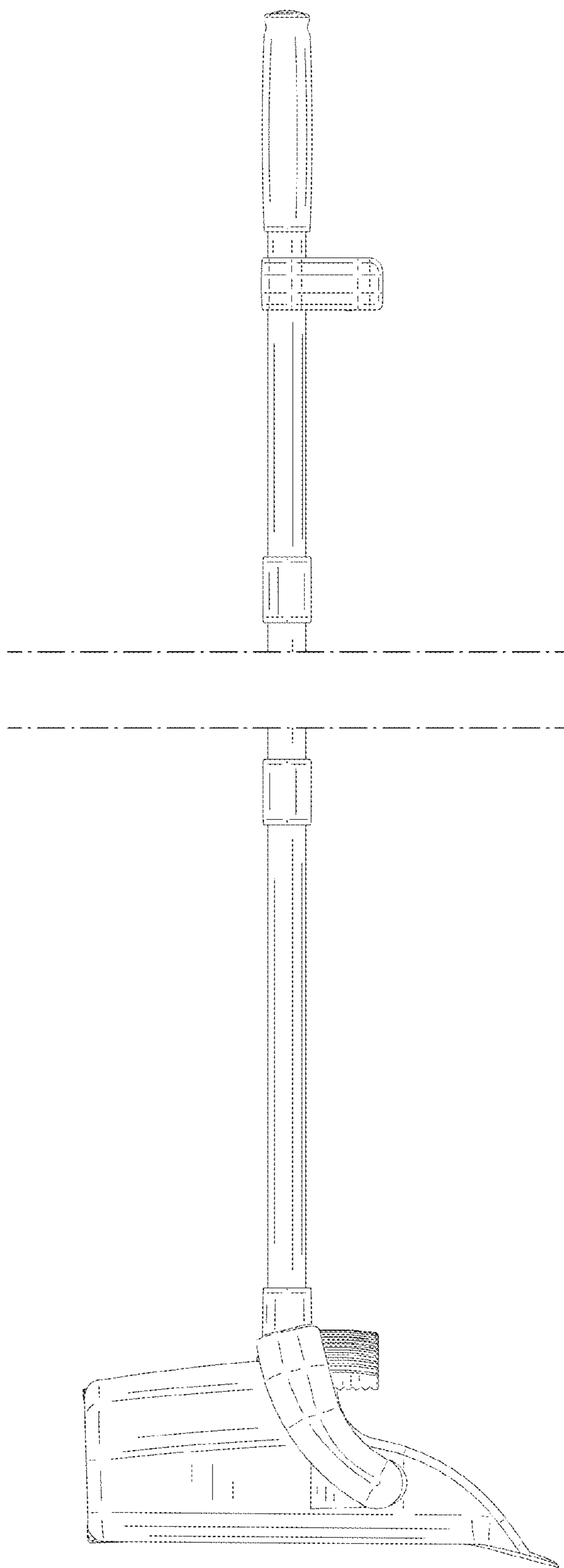


FIG. 13

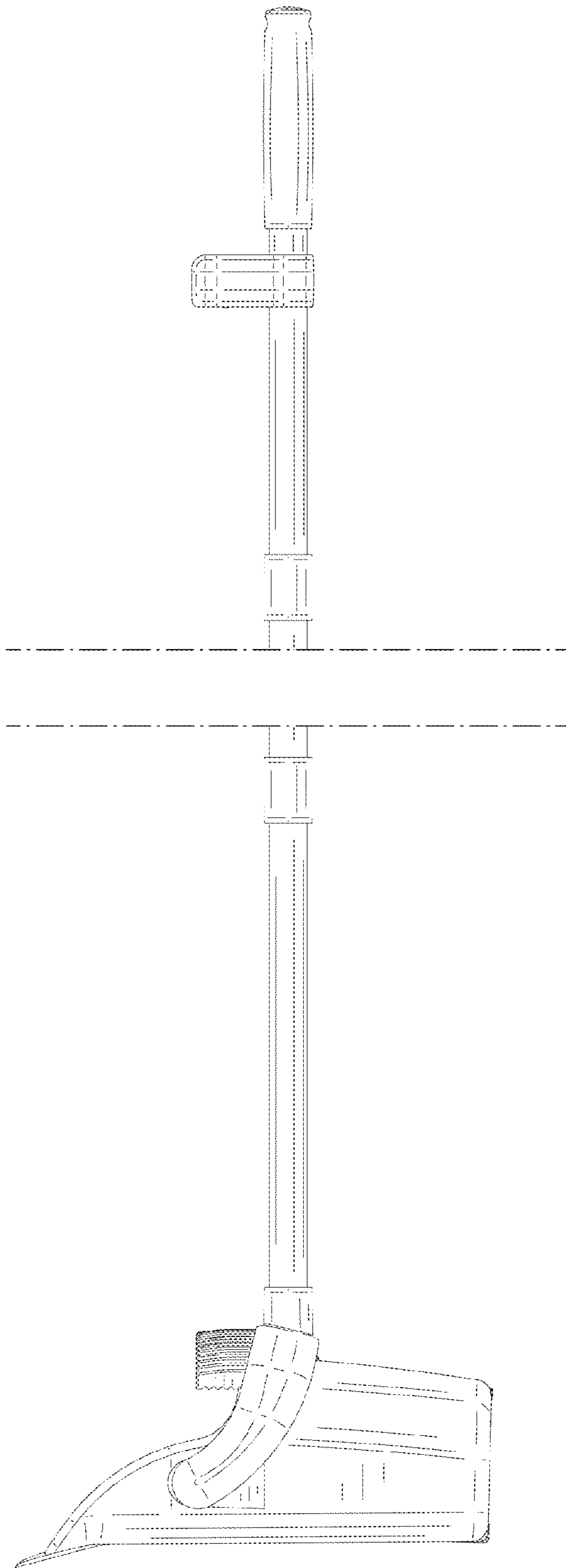


FIG. 14



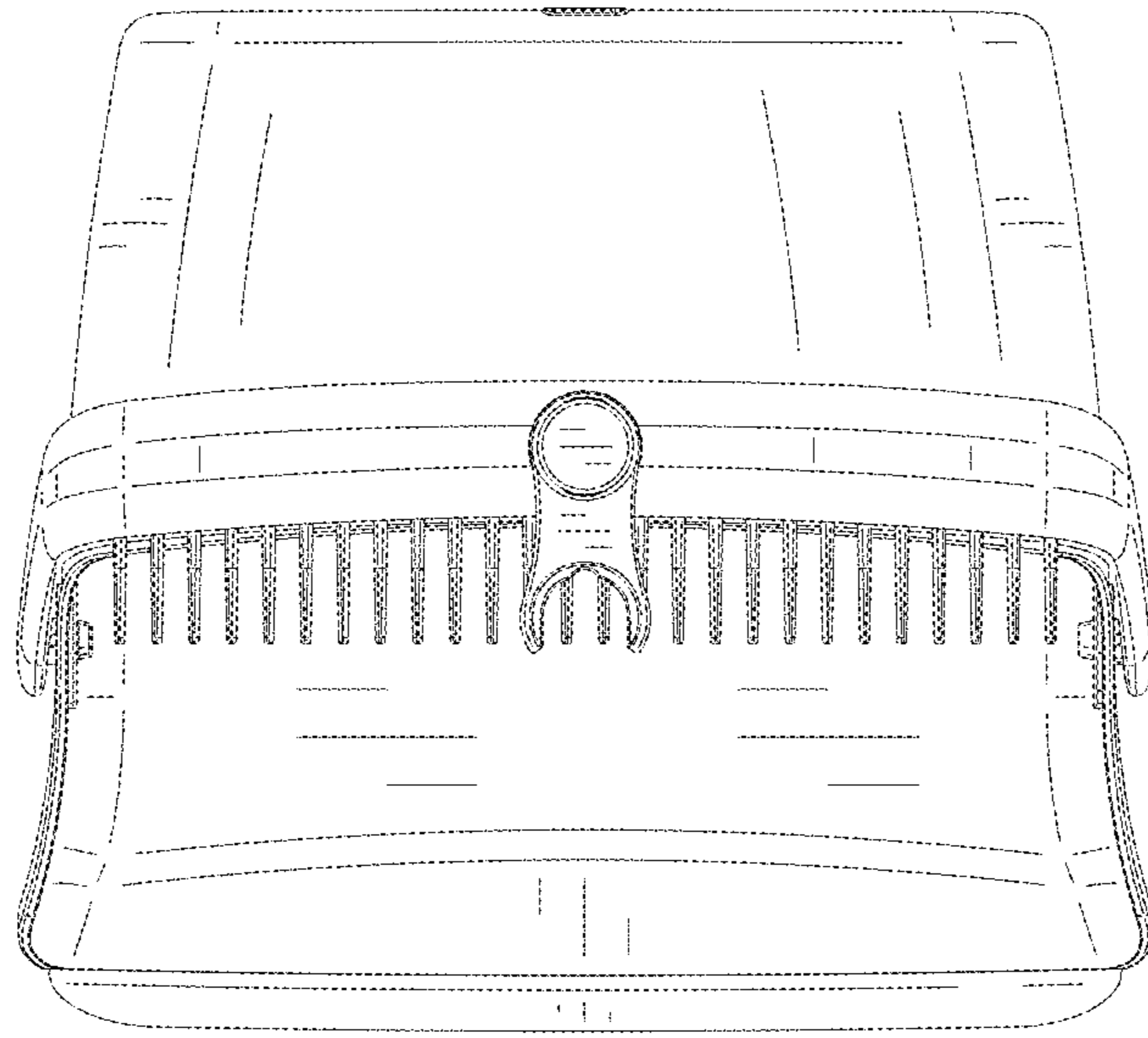


FIG. 15

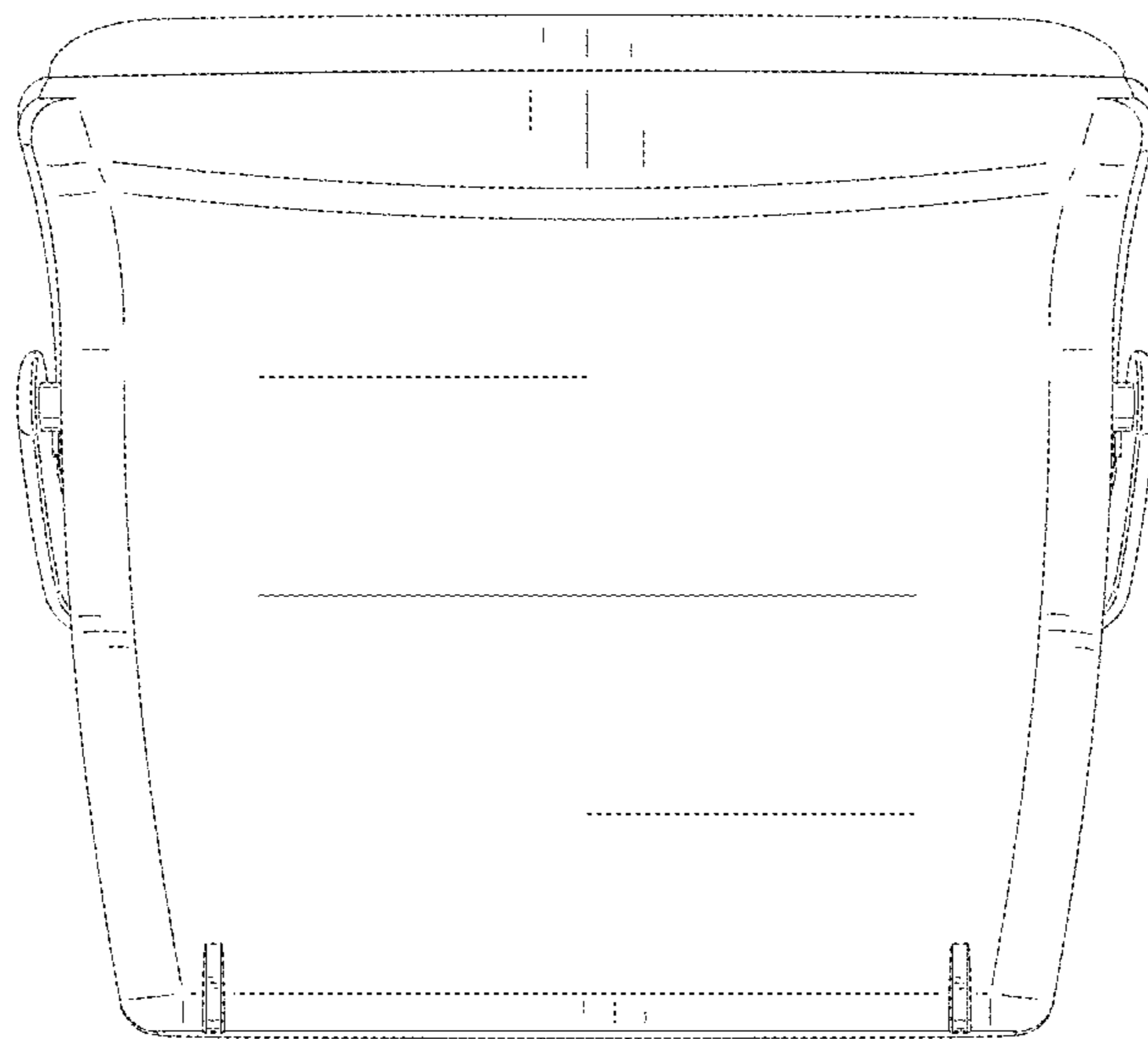


FIG. 16

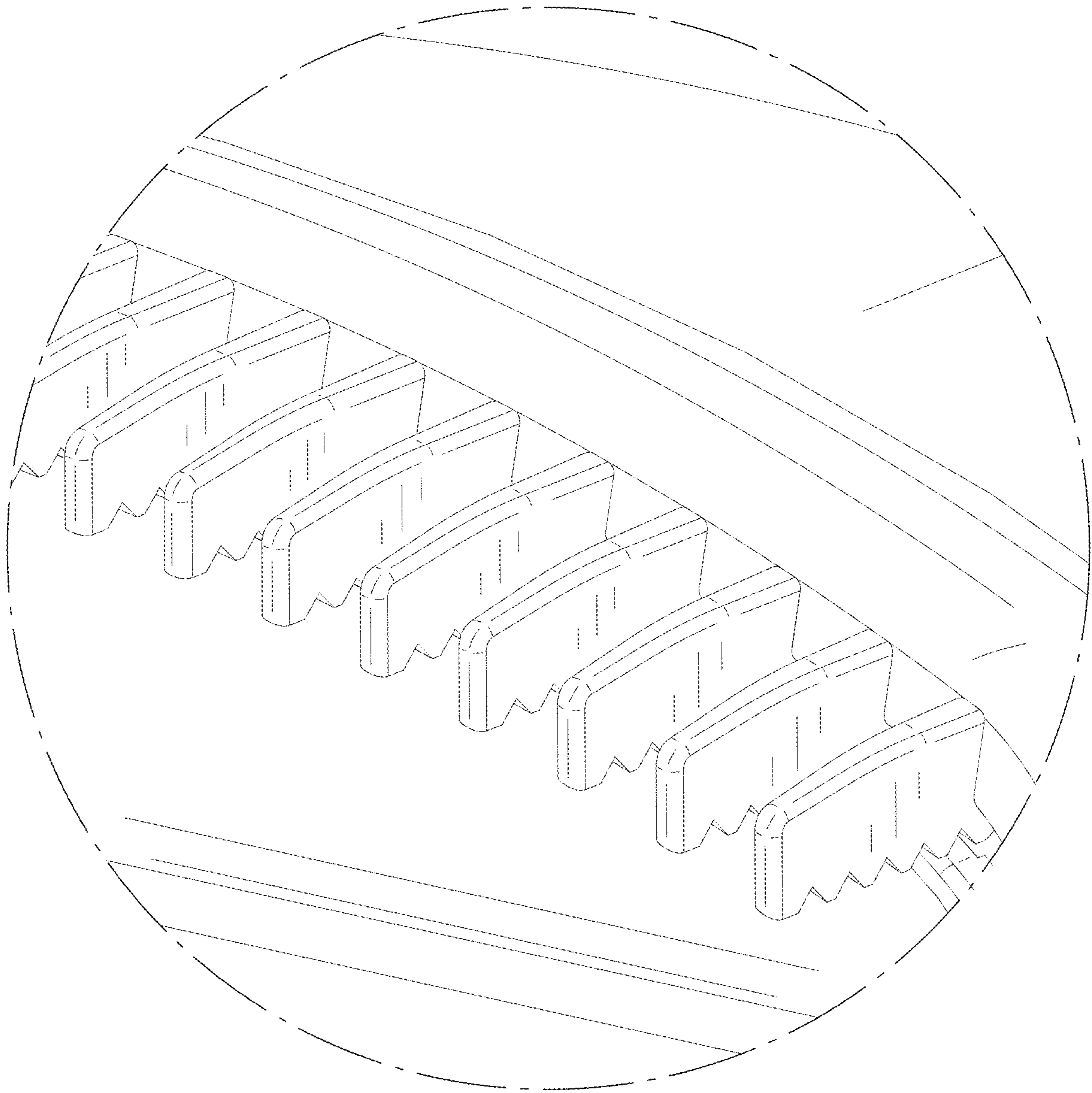


FIG. 17

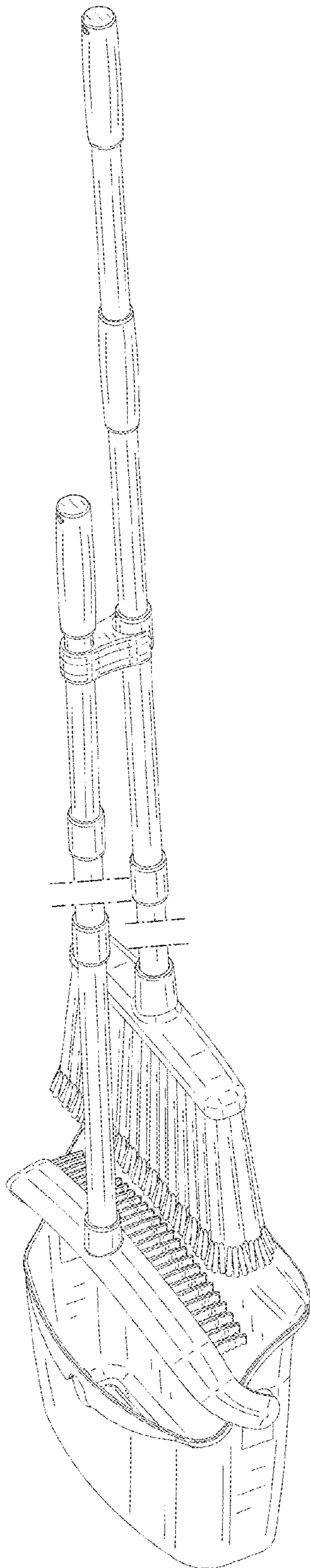


FIG. 18

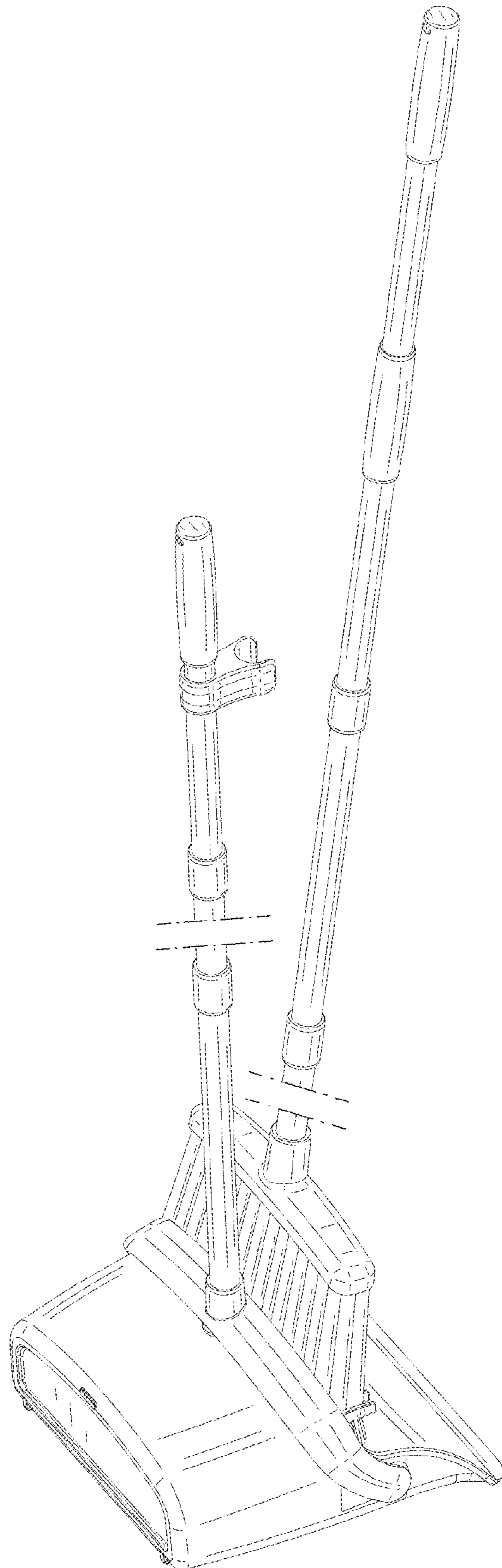


FIG. 19

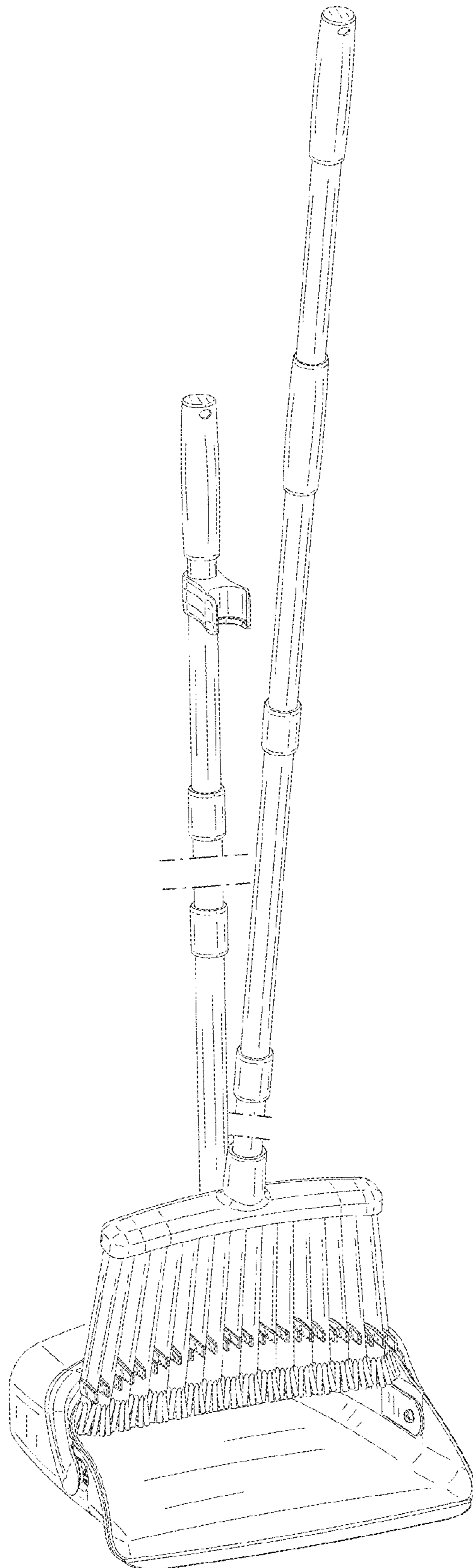


FIG. 20

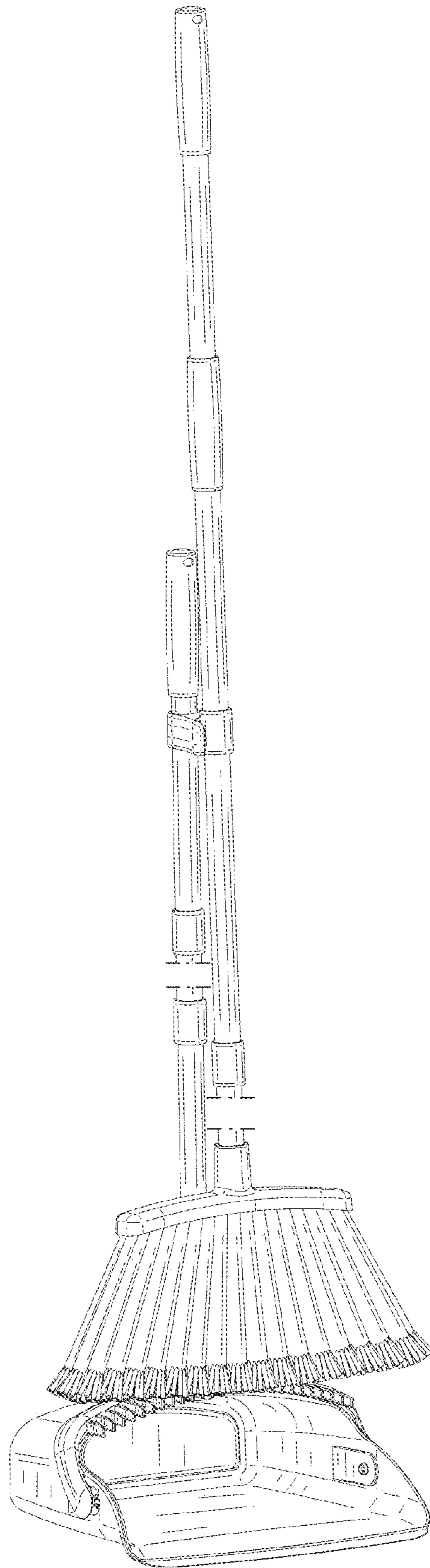


FIG. 21