



US00D977215S

(12) **United States Design Patent** (10) **Patent No.:** **US D977,215 S**
Chan et al. (45) **Date of Patent:** **** Jan. 31, 2023**

(54) **CLEANING TOOL**

(71) Applicant: **Techtronic Cordless GP**, Anderson, SC (US)

(72) Inventors: **Somnanritha Chan**, Matthews, NC (US); **Robert Barrett Lawson**, Concord, NC (US)

(73) Assignee: **Techtronic Cordless GP**, Anderson, SC (US)

(**) Term: **15 Years**

(21) Appl. No.: **29/753,848**

(22) Filed: **Oct. 2, 2020**

(51) **LOC (14) Cl.** **15-05**

(52) **U.S. Cl.**
USPC **D32/32**

(58) **Field of Classification Search**
USPC D32/18, 31-35, 40-42, 45-52, 31-34;
D4/130-132, 115-116
CPC . A47L 1/16; A47L 13/46; A47L 13/06; A47L
1/15; A47J 43/288; B23D 59/006
See application file for complete search history.

(56) **References Cited**

U.S. PATENT DOCUMENTS

D266,864 S *	11/1982	Parise	D32/32
D273,146 S *	3/1984	Farr	D32/31
D355,059 S *	1/1995	Ennis	D32/33
D369,448 S *	4/1996	de Blois	D32/33
D400,325 S *	10/1998	Broecking	D32/33
D429,043 S *	8/2000	Fish	D32/31
D440,213 S *	4/2001	Weiss	D4/132
D444,925 S *	7/2001	Monette	D32/33
D502,578 S *	3/2005	Roschi	D32/31
D509,332 S *	9/2005	White	D32/32
D519,696 S *	4/2006	Adams	D32/33
D526,102 S *	8/2006	Adams	D32/32
D565,263 S *	3/2008	Wishney	D32/32
D603,570 S *	11/2009	Svantesson	D32/32

D666,373 S *	8/2012	Eden	D32/32
D674,972 S *	1/2013	Dyson	D30/158
D764,125 S *	8/2016	Palladino	D32/33

(Continued)

OTHER PUBLICATIONS

Blind Vacuum Attachment, evacuum store website 2022, site visited Apr. 1, 2022, <https://evacuumstore.com/p-4307-shutter-blind-vacuum-attachment.aspx>.*

Primary Examiner — John R Yeh

(74) *Attorney, Agent, or Firm* — Michael Best & Friedrich LLP

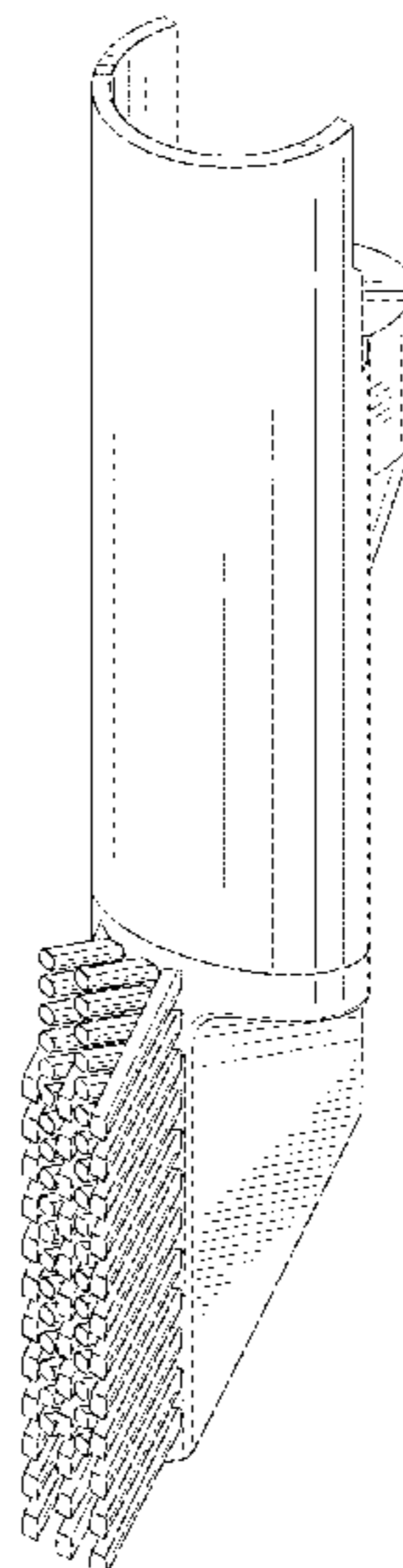
(57) **CLAIM**

We claim the ornamental design for a cleaning tool, as shown and described.

DESCRIPTION

FIG. 1 is a front, top, right side perspective view of our design for a cleaning tool with the brush in a first orientation. FIG. 2 is a right side elevation view thereof. FIG. 3 is a left side elevation view thereof. FIG. 4 is a rear elevation view thereof. FIG. 5 is a front elevation view thereof. FIG. 6 is a top plan view thereof. FIG. 7 is a bottom plan view thereof. FIG. 8 is front, top, right side perspective view of the cleaning tool with the brush moved to a second orientation. FIG. 9 is a right side elevation view thereof. FIG. 10 is a left side elevation view thereof. FIG. 11 is a front elevation view thereof. FIG. 12 is a rear elevation view thereof. FIG. 13 is a top plan view thereof; and, FIG. 14 is a bottom plan view thereof. The broken lines in the drawings depict portions of the cleaning tool that form no part of the claimed design.

1 Claim, 12 Drawing Sheets



(56)

References Cited

U.S. PATENT DOCUMENTS

D796,135 S *	8/2017	Yoon	D32/32
D863,702 S *	10/2019	Wordie	D32/31
D927,258 S *	8/2021	Serkasevich	D7/590
2006/0032007 A1 *	2/2006	Lafleur	A47L 13/12 15/245

* cited by examiner

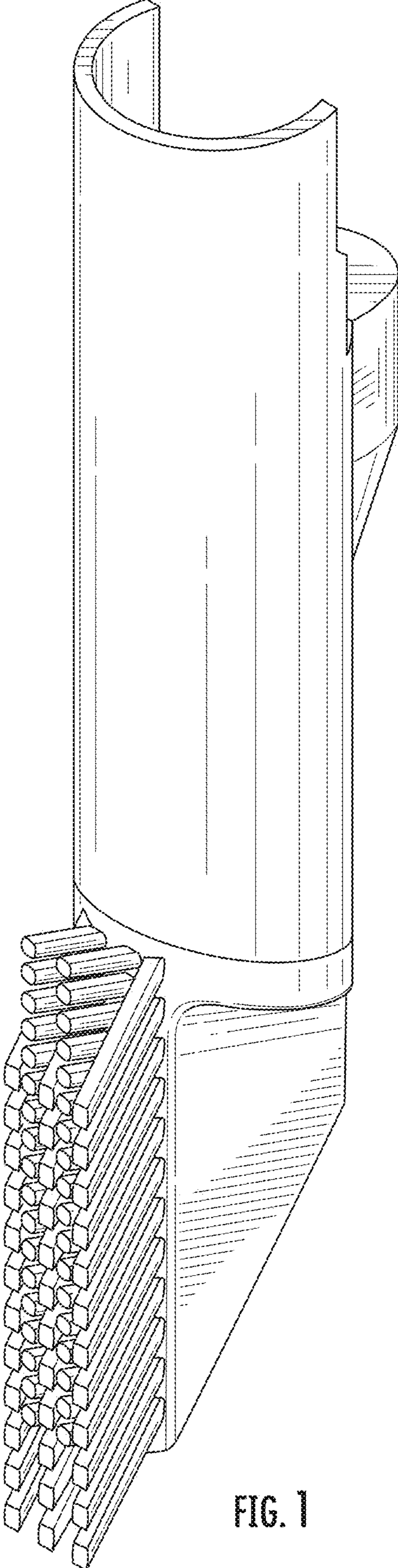


FIG. 1

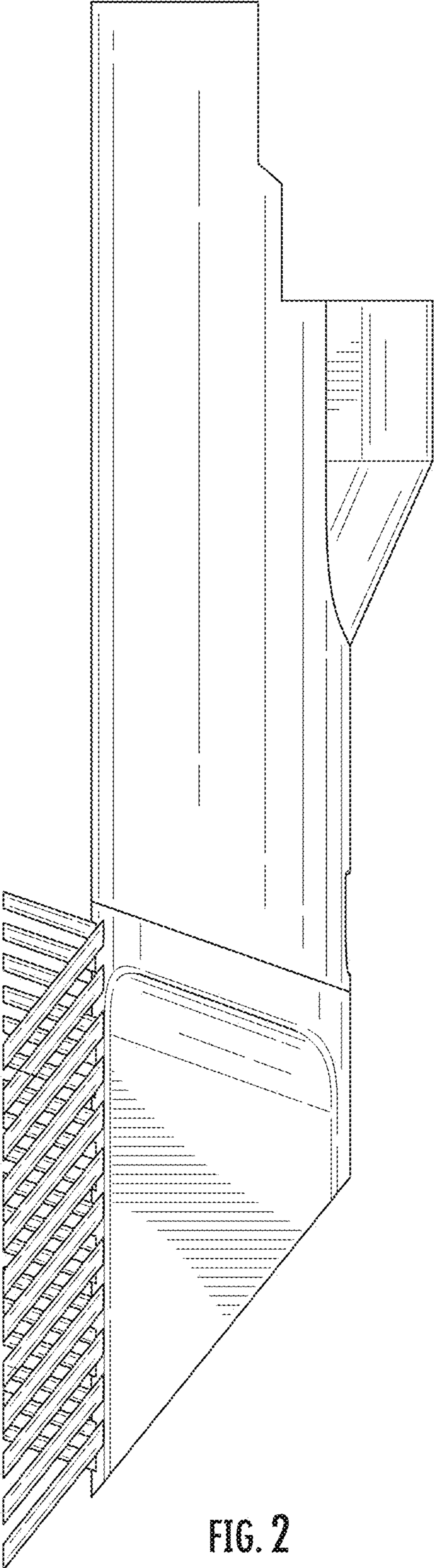


FIG. 2

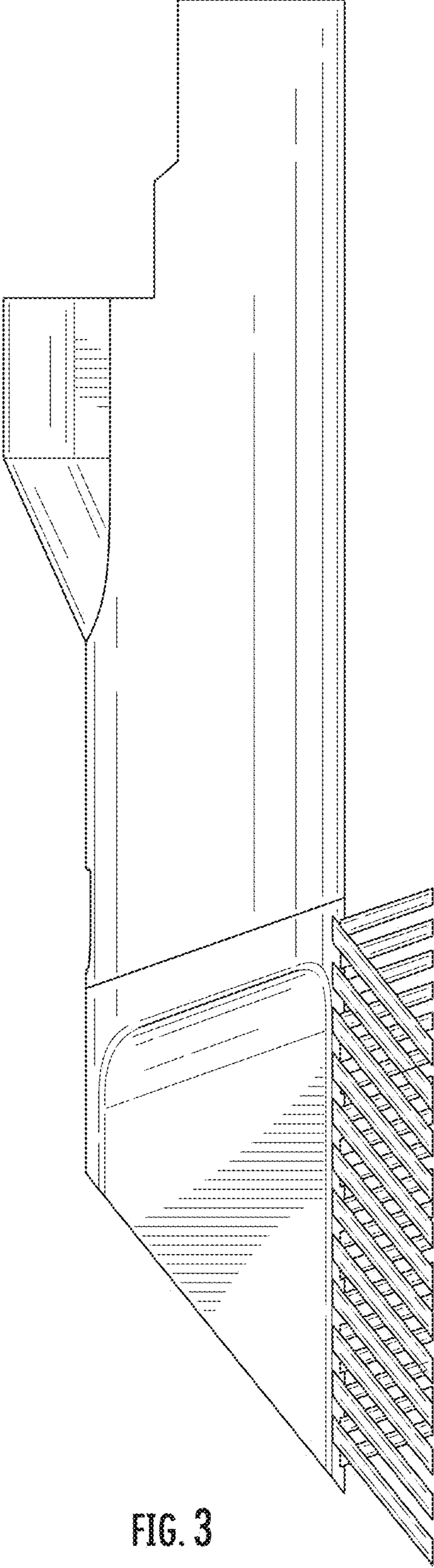


FIG. 3

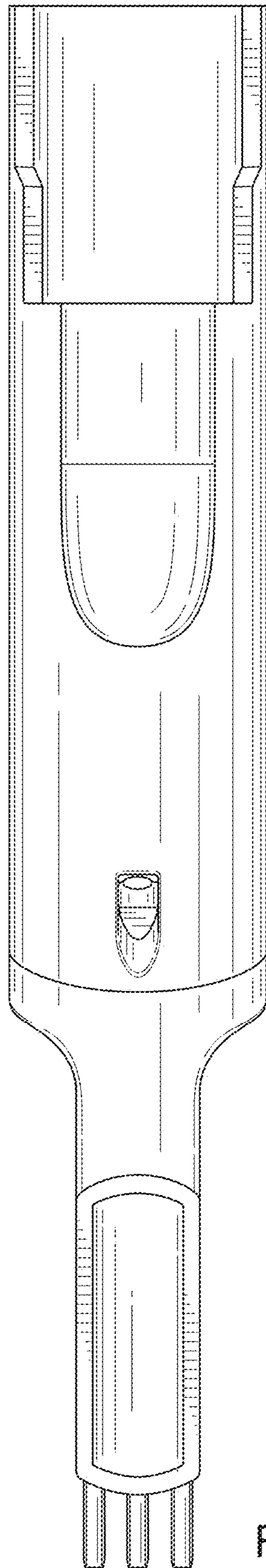


FIG. 4

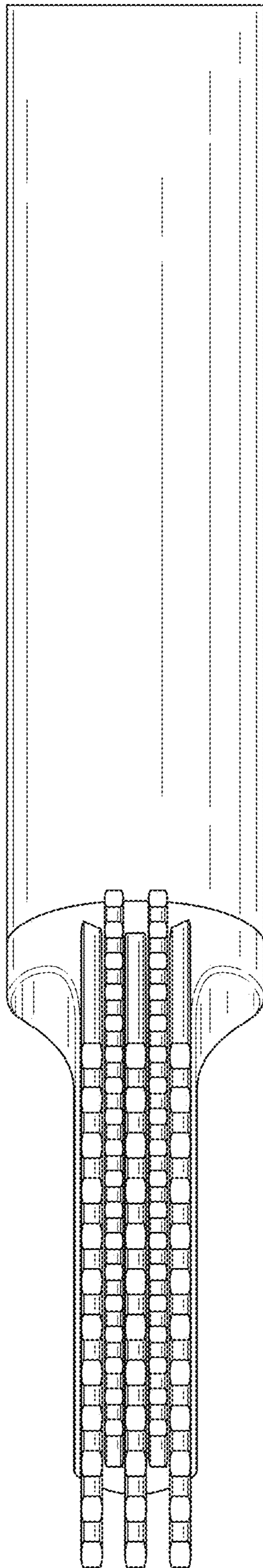


FIG. 5

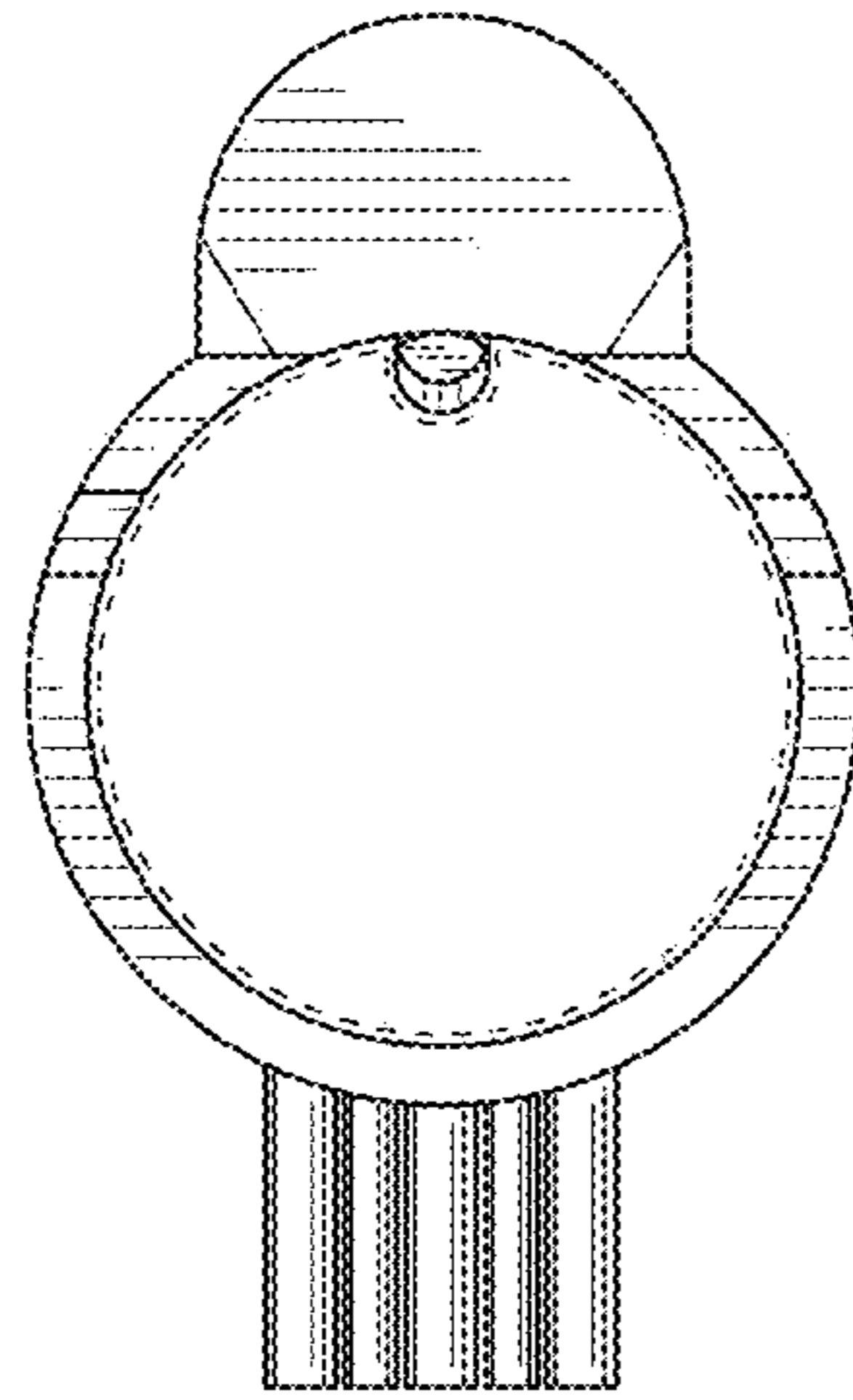


FIG. 6

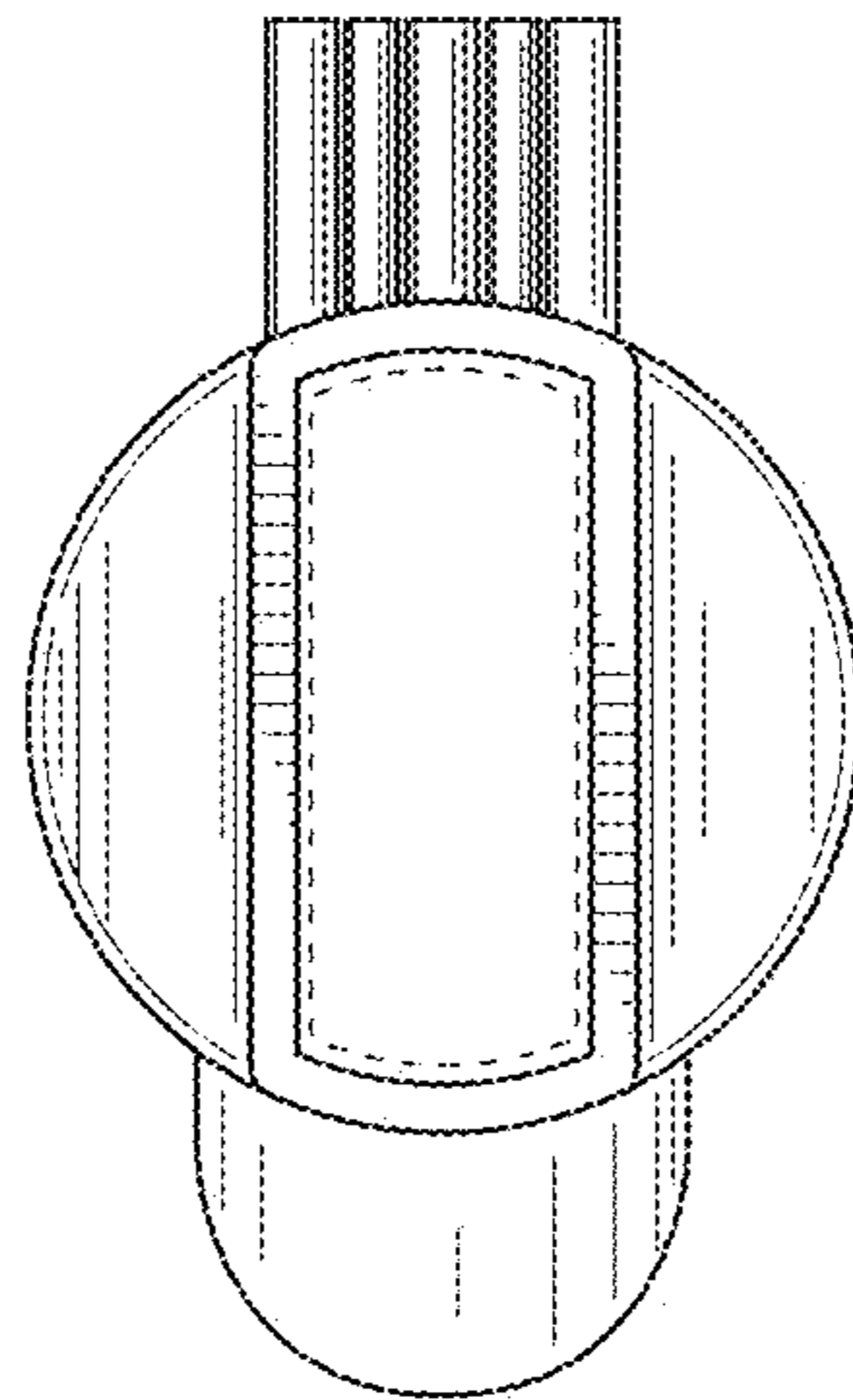


FIG. 7

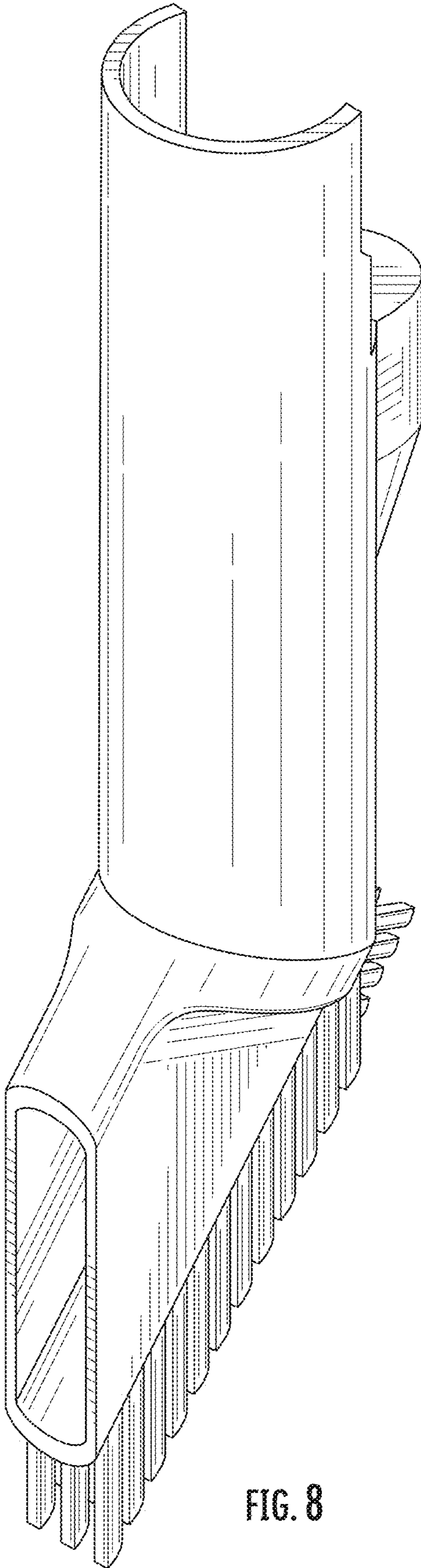


FIG. 8

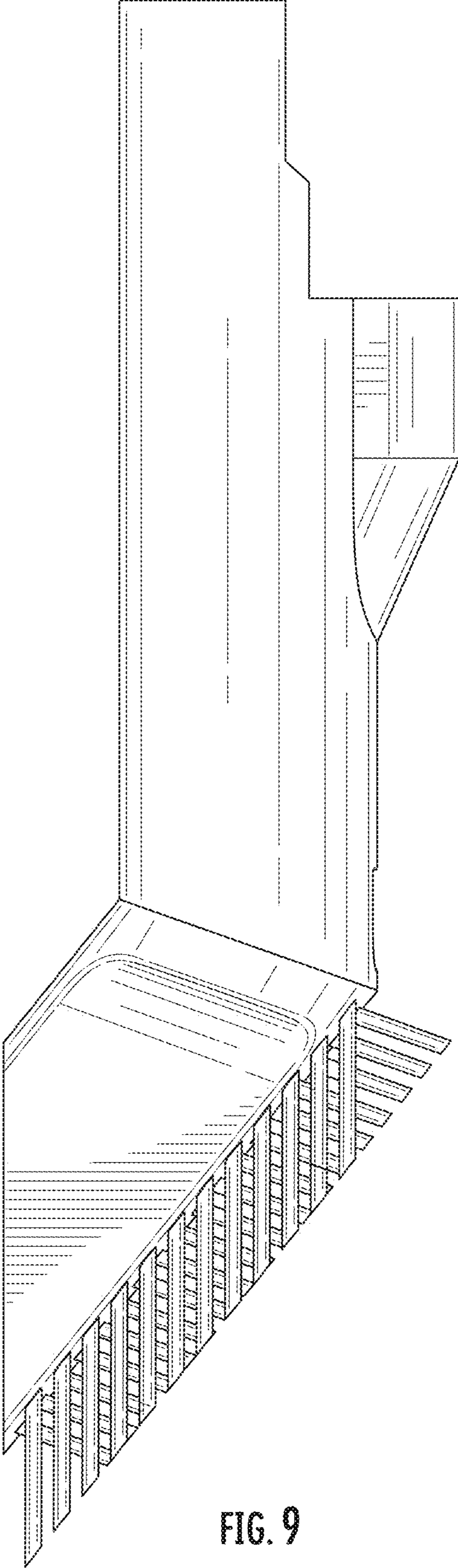


FIG. 9

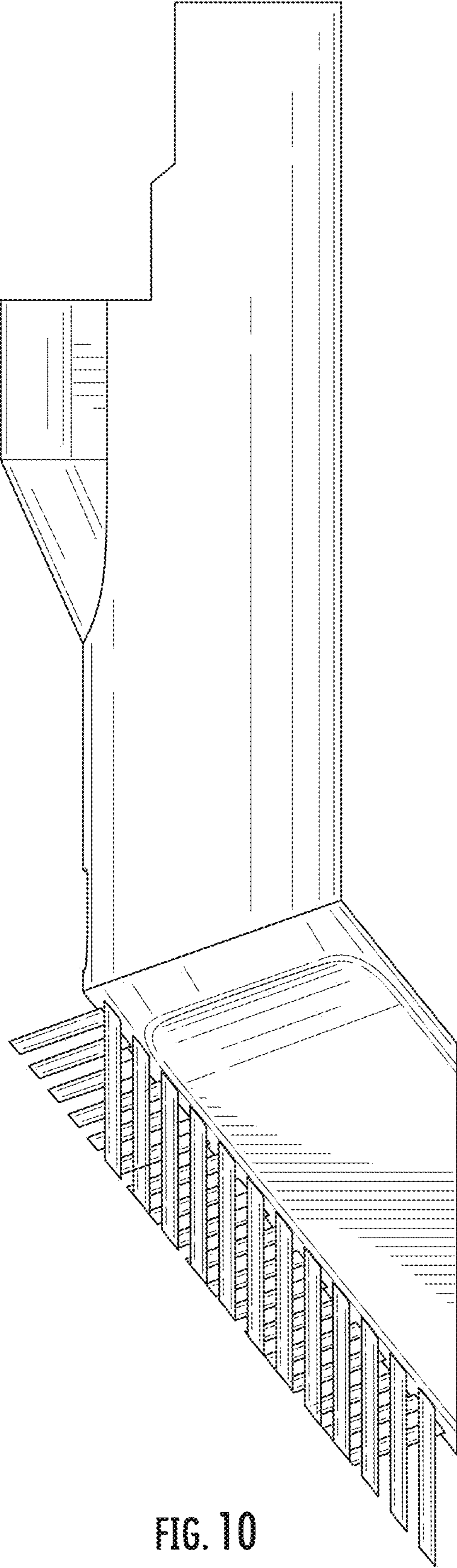


FIG. 10

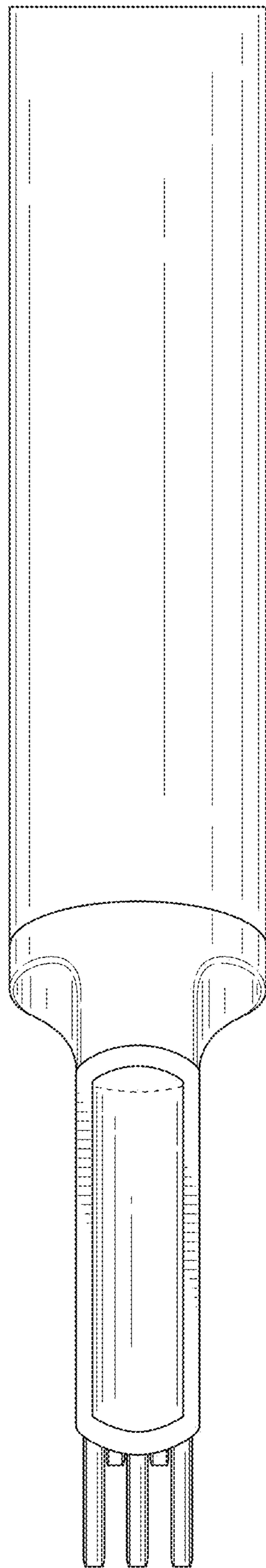


FIG. 11

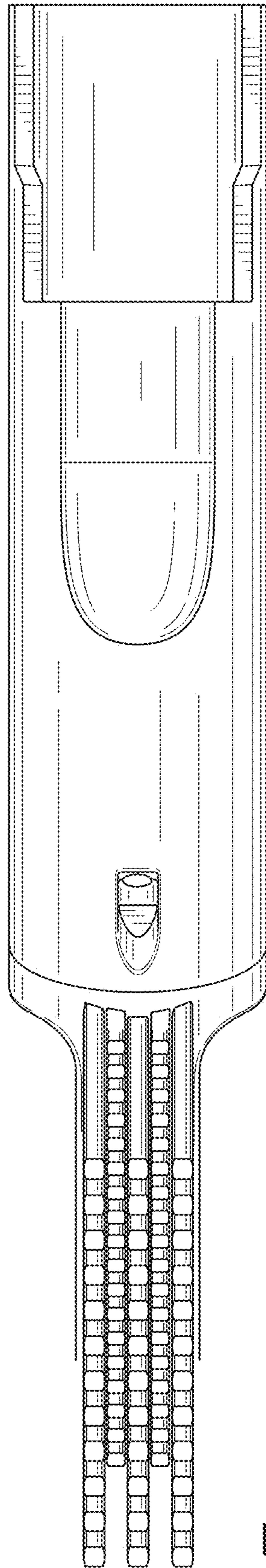


FIG. 12

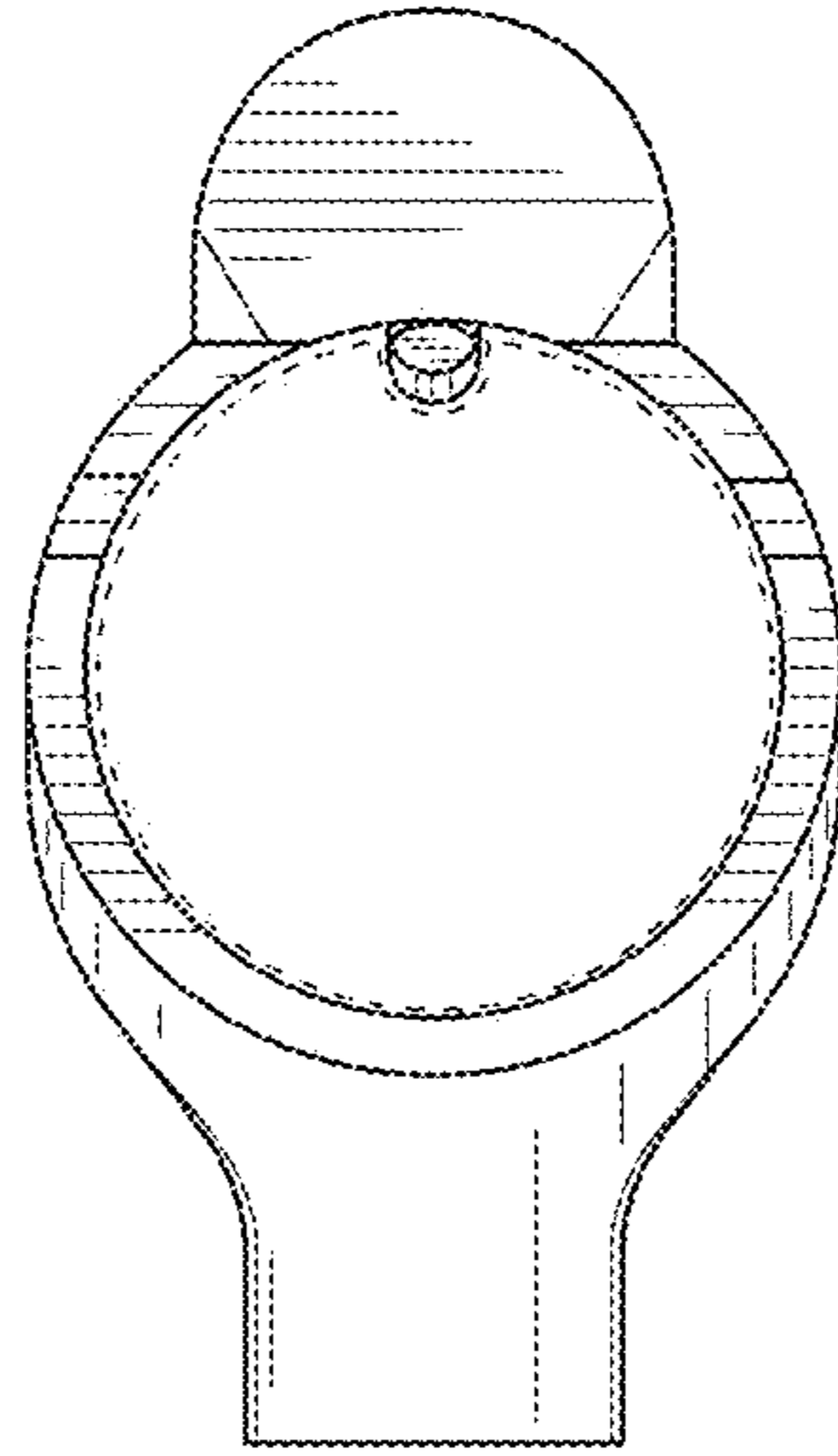


FIG. 13

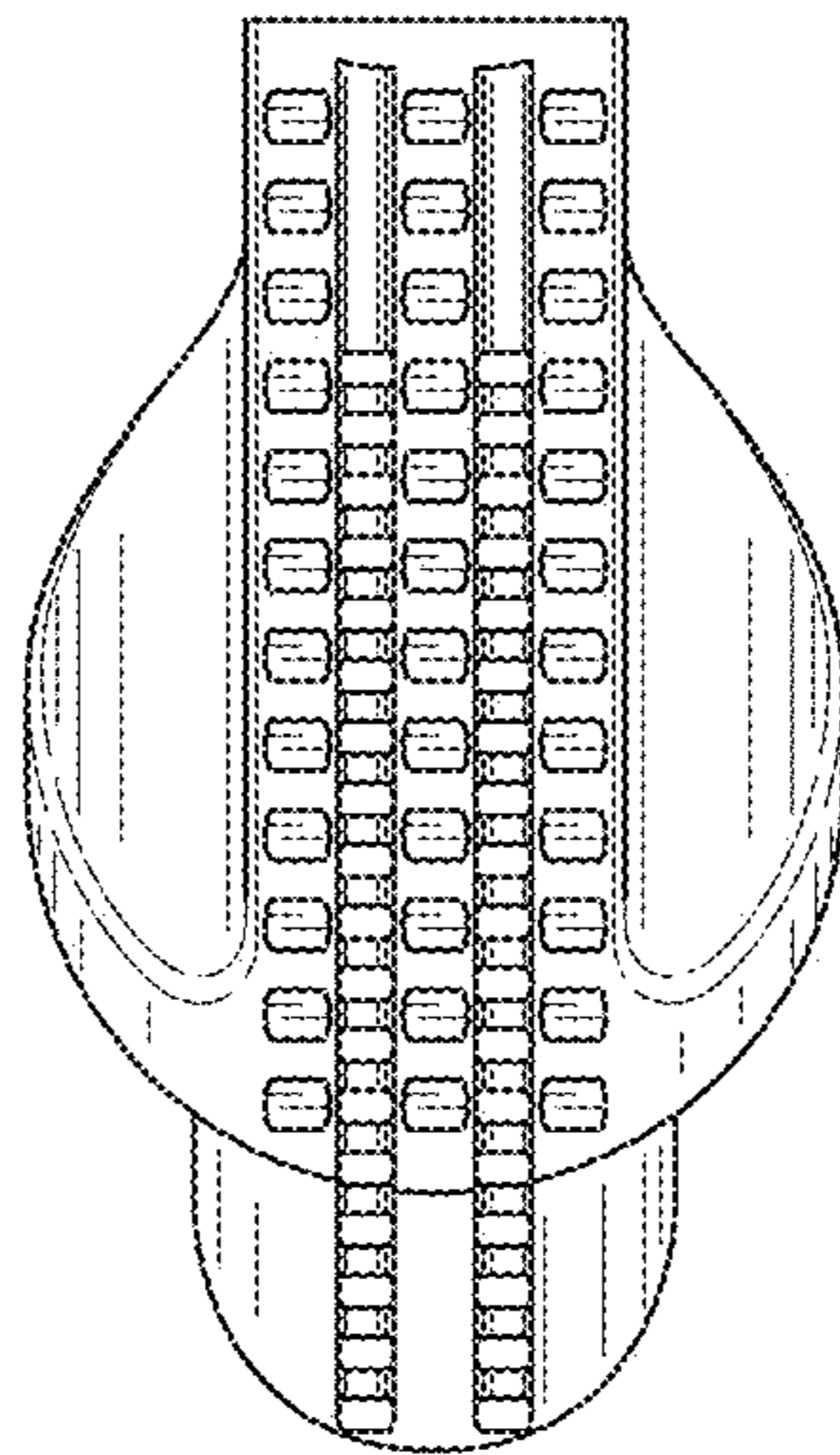


FIG. 14