



US00D977214S

(12) **United States Design Patent**
Kim et al.

(10) **Patent No.:** **US D977,214 S**
(45) **Date of Patent:** **** Jan. 31, 2023**

(54) **NOZZLE FOR VACUUM CLEANER**

(71) Applicant: **LG ELECTRONICS INC.**, Seoul (KR)

(72) Inventors: **Seongmin Kim**, Seoul (KR); **Hoil Jeon**, Seoul (KR); **Yeji Um**, Seoul (KR)

(73) Assignee: **LG ELECTRONICS INC.**, Seoul (KR)

(**) Term: **15 Years**

(21) Appl. No.: **29/751,944**

(22) Filed: **Sep. 24, 2020**

(30) **Foreign Application Priority Data**

Apr. 20, 2020 (KR) 30-2020-0017476

(51) **LOC (14) Cl.** **15-05**

(52) **U.S. Cl.**
USPC **D32/32**

(58) **Field of Classification Search**
USPC D6/310, 512, 553, 569, 570, 675, 682.6;
D13/108; D23/244, 247, 248, 262-265;
D32/25, 31-33

CPC A47L 9/00; A47L 9/0018; A47L 9/0027;
A47L 9/0036; A47L 9/0045; A47L 9/248;
A47L 9/0693; A47L 7/00; A47L 7/06;
A47L 9/02; A47G 29/08

See application file for complete search history.

(56) **References Cited**

U.S. PATENT DOCUMENTS

D751,780 S	*	3/2016	Courtney	D32/33
D752,301 S	*	3/2016	Courtney	D32/32
D752,302 S	*	3/2016	Courtney	D32/32
D803,494 S	*	11/2017	Miyazaki	D32/32
D836,867 S	*	12/2018	Nam	D32/32
D836,868 S	*	12/2018	Nam	D32/32
D839,517 S	*	1/2019	Nam	D32/32

D848,097 S	*	5/2019	Nam	D32/32
D848,098 S	*	5/2019	Nam	D32/32
D848,099 S	*	5/2019	Nam	D32/32
D869,802 S	*	12/2019	Hribar-Green	D32/32
D875,336 S	*	2/2020	Knox	D32/32
D875,337 S	*	2/2020	Knox	D32/32
D879,397 S	*	3/2020	Kim	D32/32
D879,398 S	*	3/2020	Burgess	D32/32
D880,090 S	*	3/2020	Tokoi	D32/32

(Continued)

FOREIGN PATENT DOCUMENTS

KR D210967-001 * 4/2022

OTHER PUBLICATIONS

lg.com Power Carpet Nozzle <https://www.google.com/search> (Year: 2022).*

Primary Examiner — Kevin K Rudzinski
Assistant Examiner — Richard E Yenchesky
(74) *Attorney, Agent, or Firm* — Birch, Stewart, Kolasch & Birch, LLP

(57) **CLAIM**

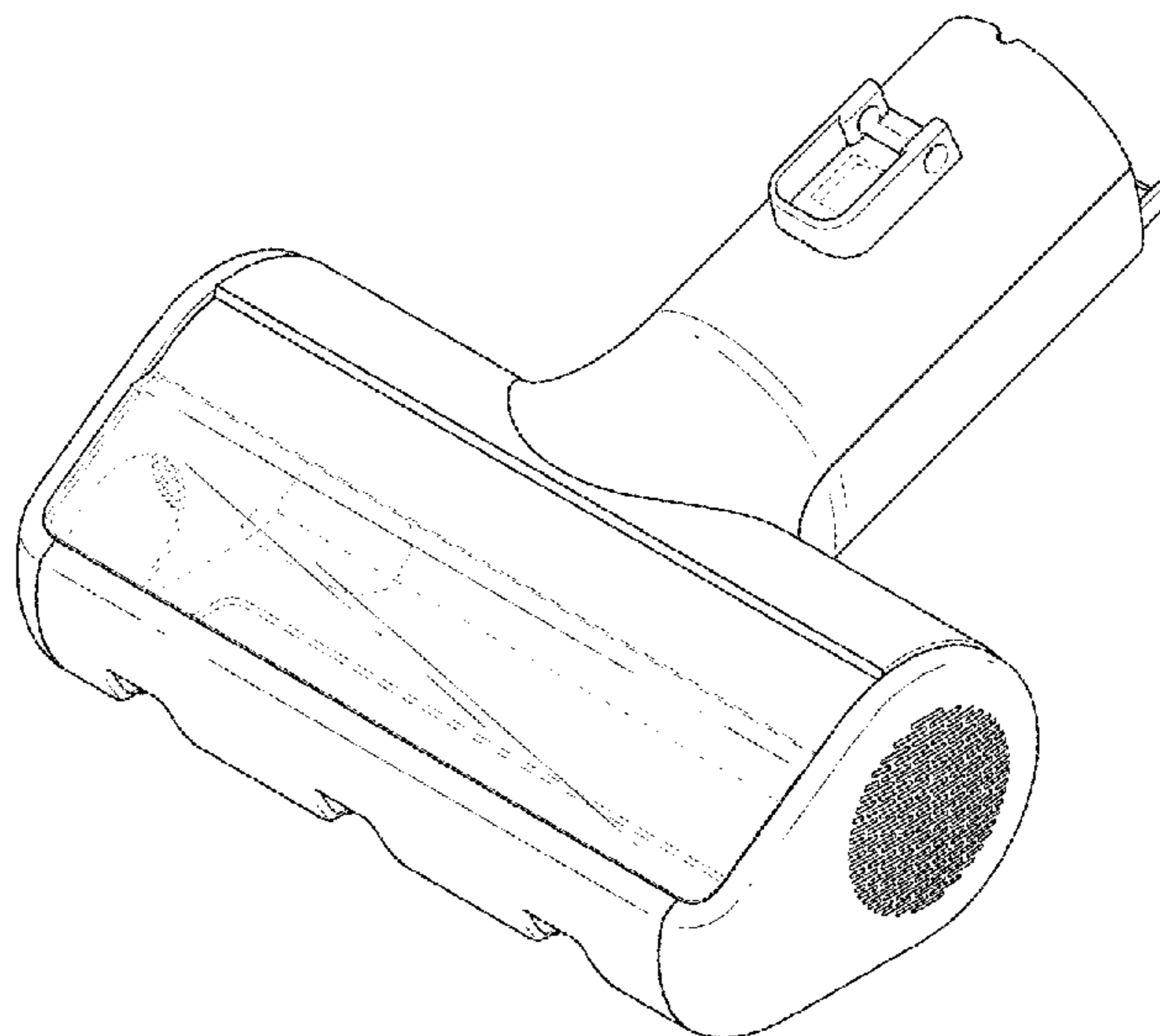
The ornamental design for a nozzle for vacuum cleaner, as shown and described.

DESCRIPTION

FIG. 1 is a front, right side, perspective view of a nozzle for vacuum cleaner showing our new design;
FIG. 2 is a front view thereof;
FIG. 3 is a rear view thereof;
FIG. 4 is a left side view thereof;
FIG. 5 is a right side view thereof;
FIG. 6 is a top view thereof; and,
FIG. 7 is a bottom view.

The broken lines indicate unclaimed portions of the nozzle for vacuum cleaner that form no part of the claimed design.

1 Claim, 7 Drawing Sheets



(56)

References Cited

U.S. PATENT DOCUMENTS

D880,091 S	*	3/2020	Tokoi	D32/33
D882,196 S	*	4/2020	Lee	D32/33
D901,113 S	*	11/2020	Song	D32/32
D922,015 S	*	6/2021	Polden	D32/32
D927,809 S	*	8/2021	Kim	D32/32
D935,121 S	*	11/2021	Luo	D32/32
D948,823 S	*	4/2022	Dodgson	D32/32
D950,175 S	*	4/2022	Dodgson	D32/32

* cited by examiner

FIG. 1

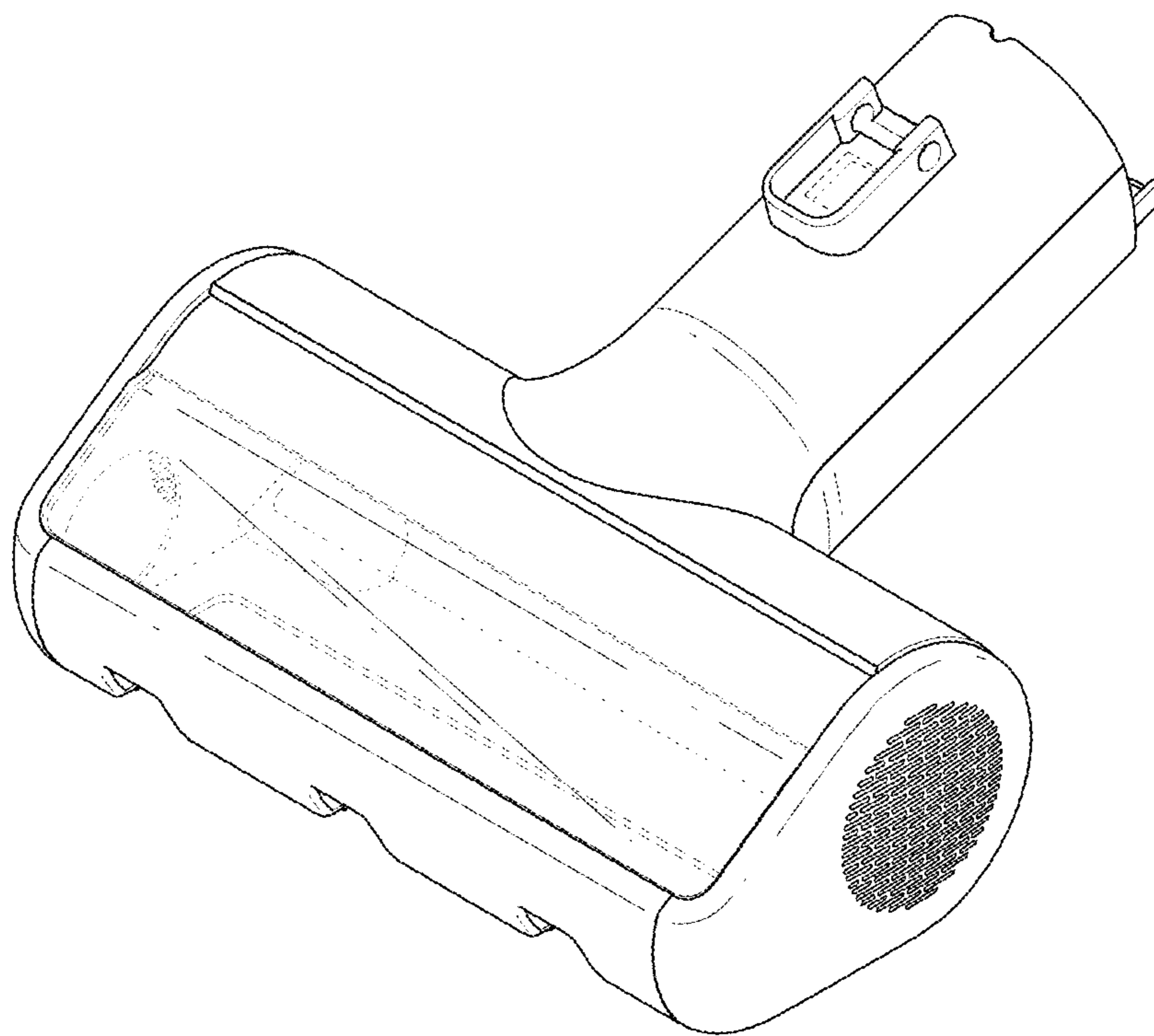


FIG. 2

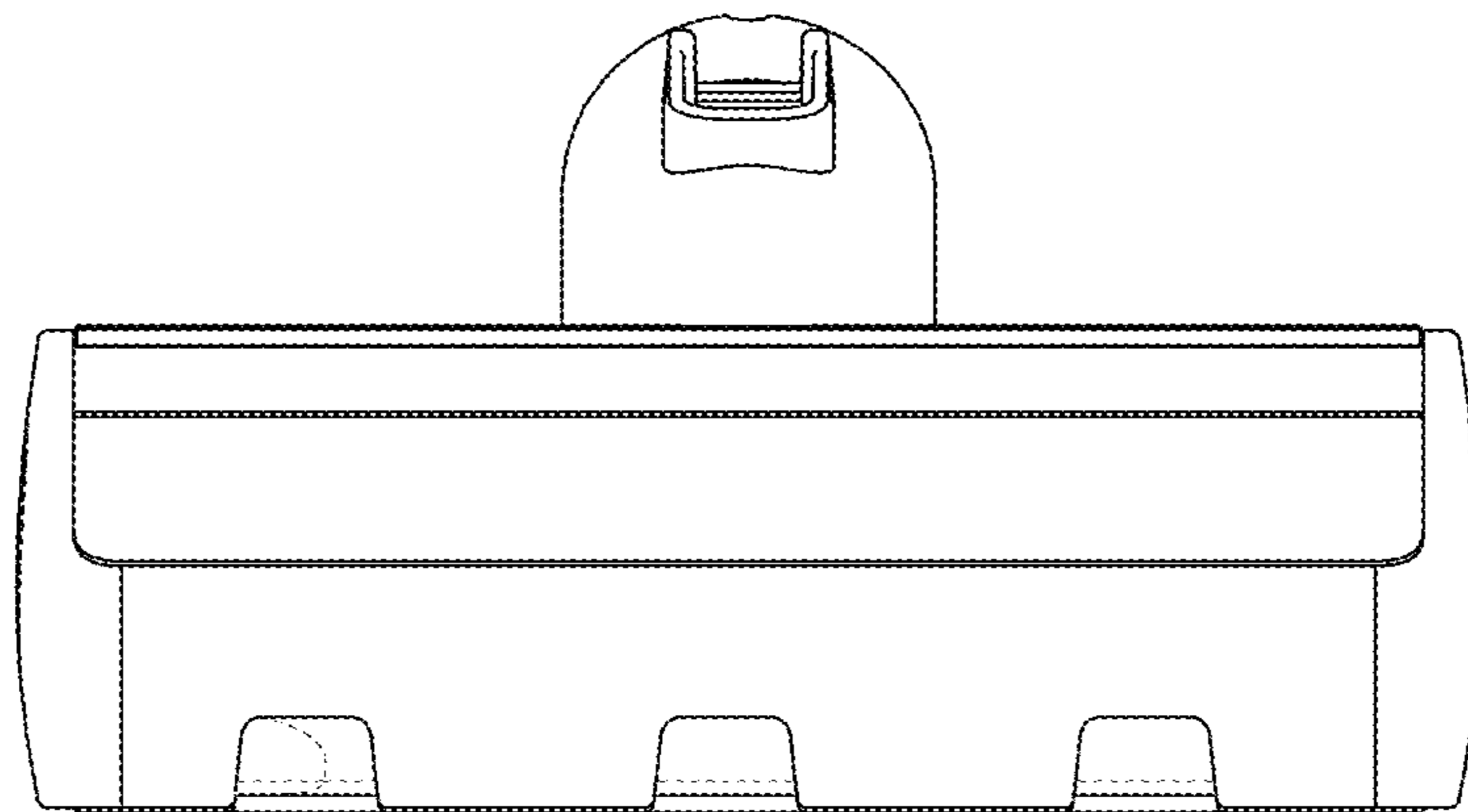


FIG. 3

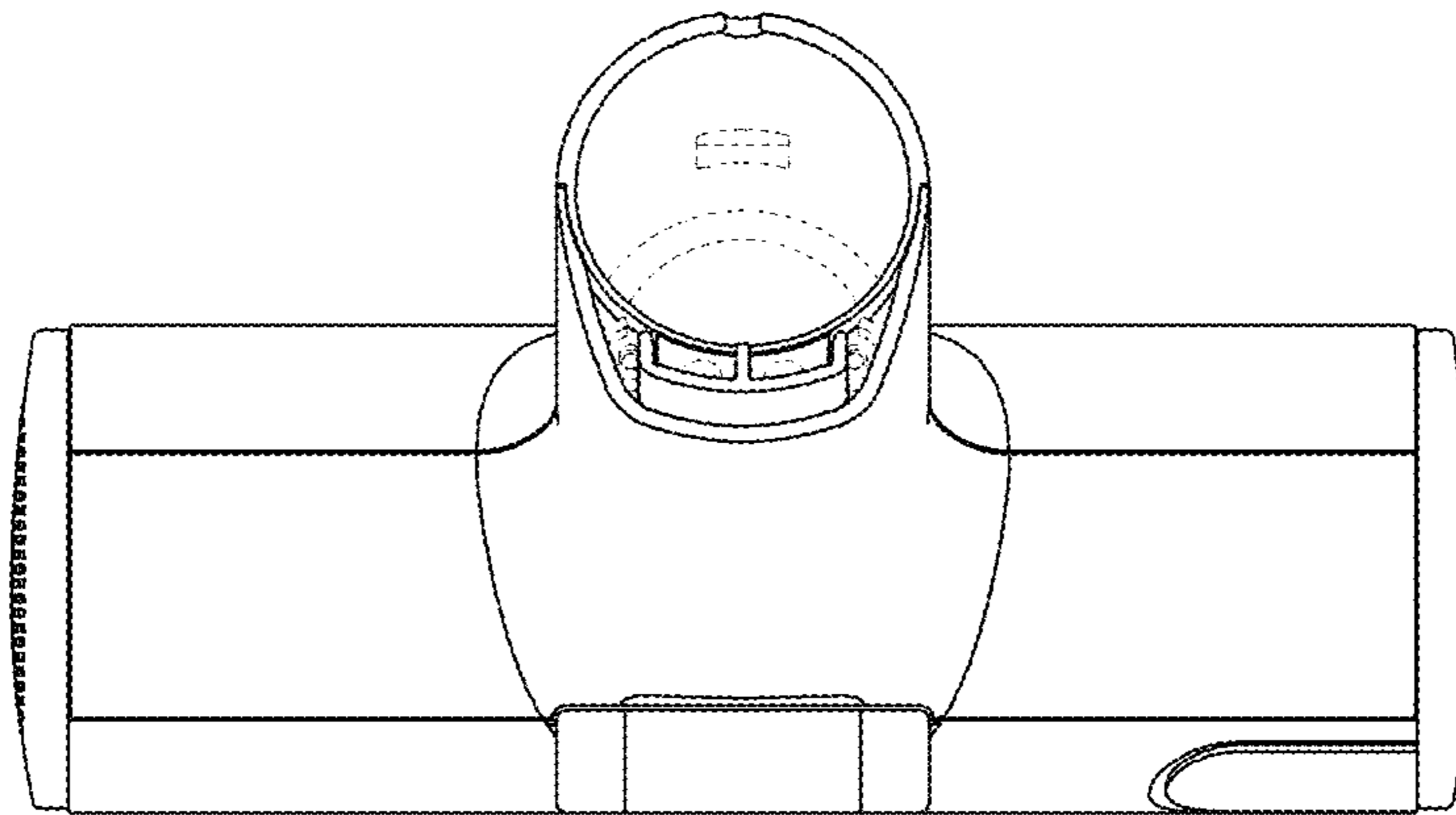


FIG. 4.

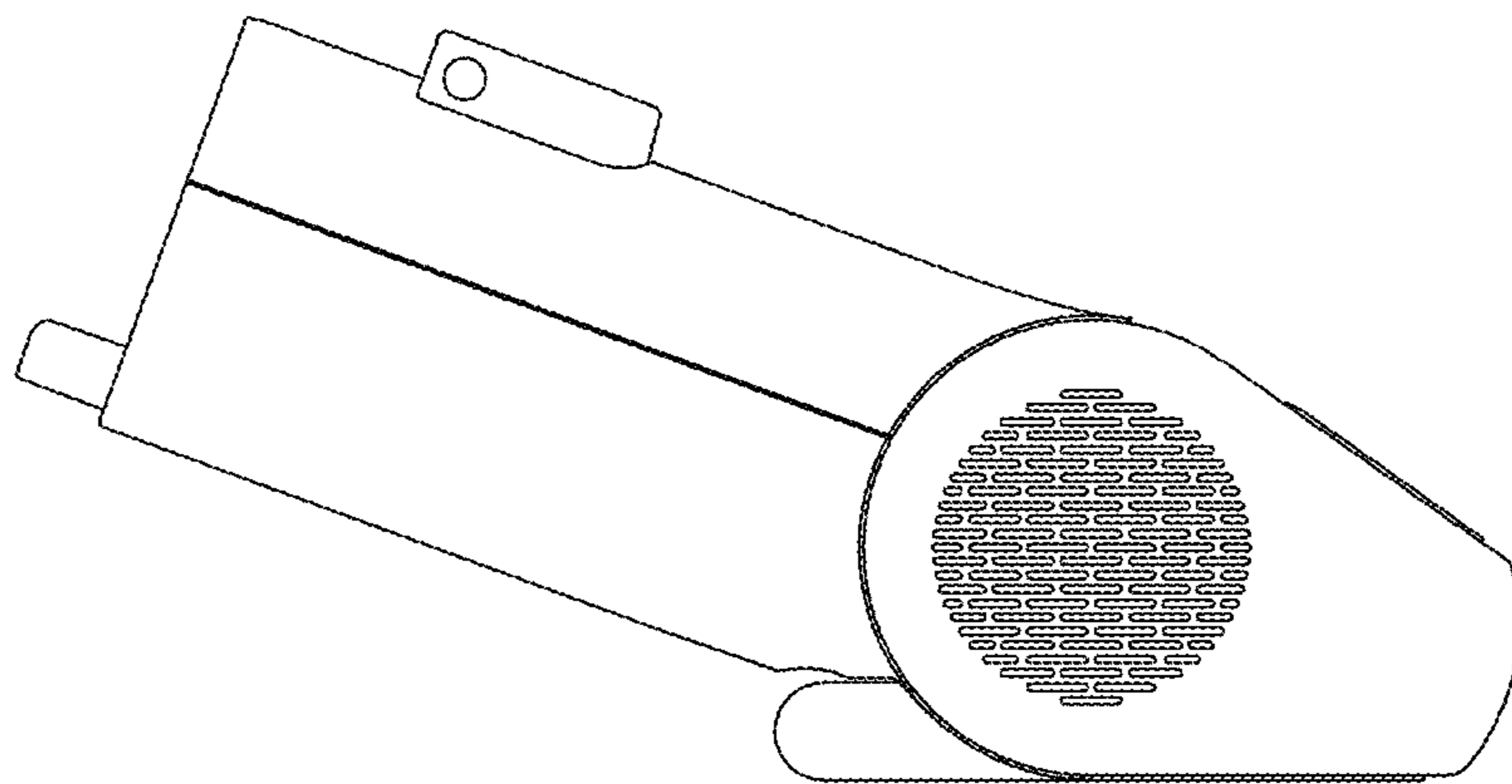


FIG. 5

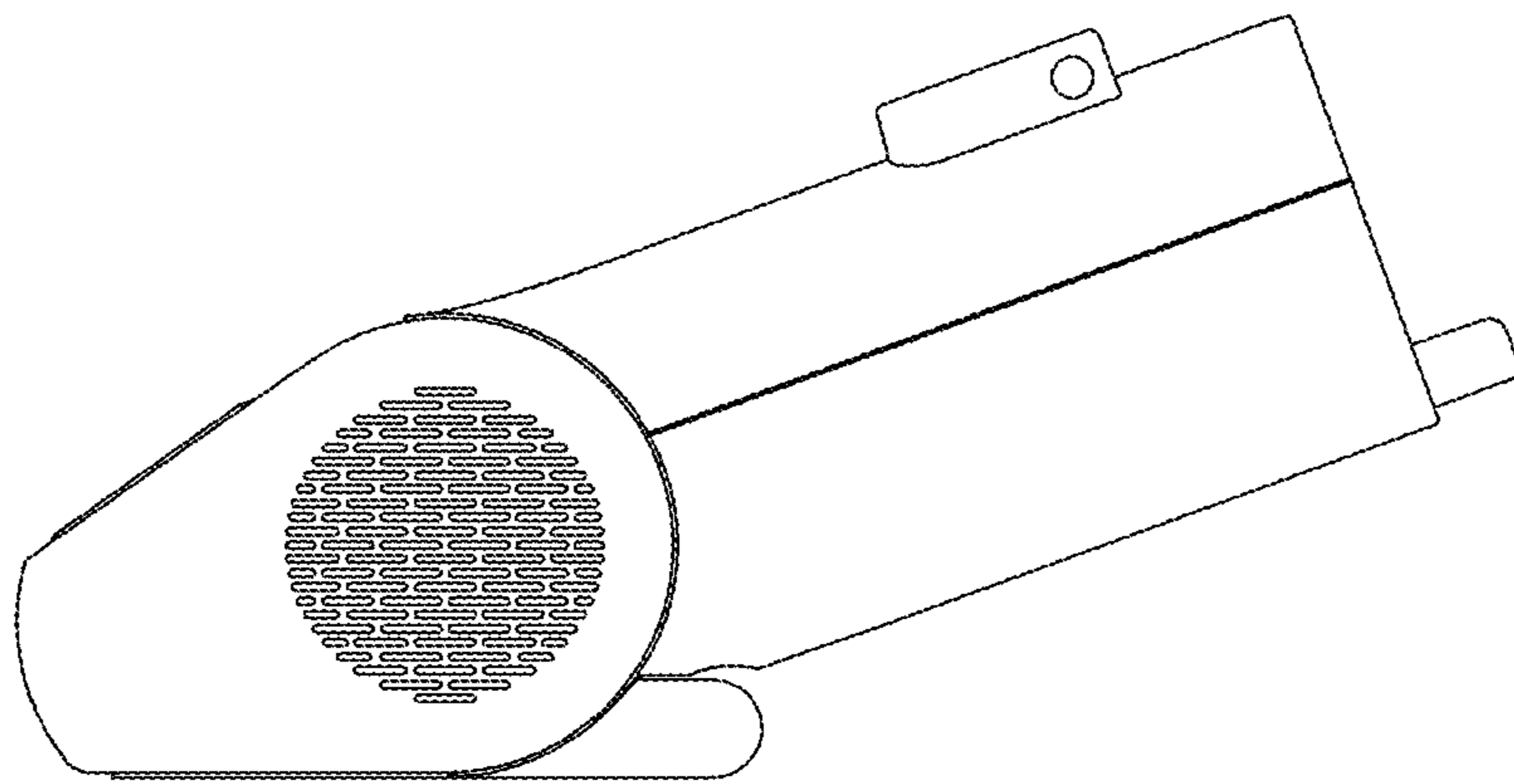


FIG. 6

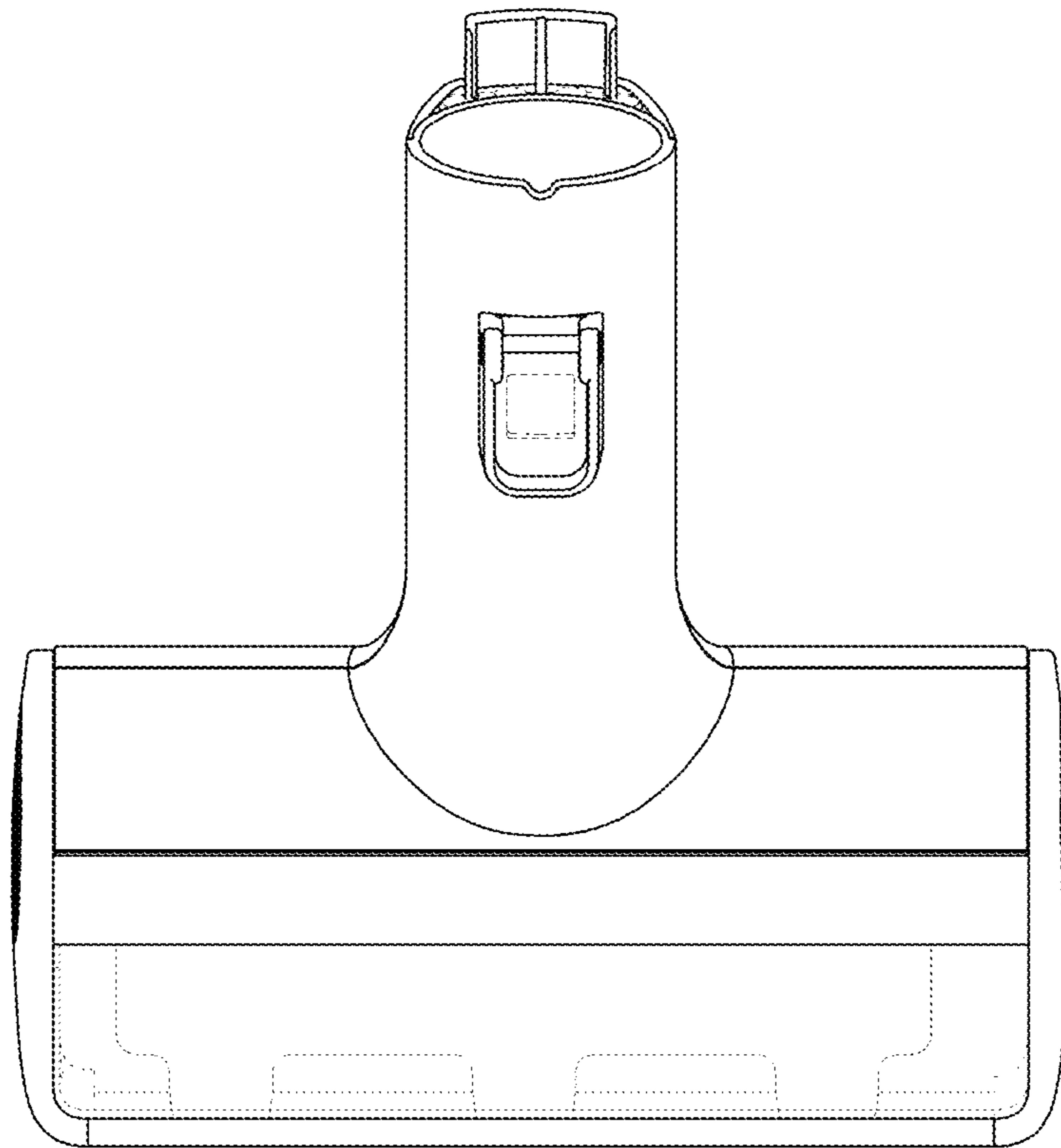


FIG. 7

