



US00D977212S

(12) **United States Design Patent**
Shin et al.

(10) **Patent No.:** **US D977,212 S**
(45) **Date of Patent:** **** Jan. 31, 2023**

(54) **ACCESSORY HOLDER FOR VACUUM CLEANER**

(71) Applicant: **LG ELECTRONICS INC.**, Seoul (KR)

(72) Inventors: **Hyochul Shin**, Seoul (KR); **Seongwoo Jang**, Seoul (KR); **Eunsu Kim**, Seoul (KR); **Yonghoon Kwon**, Seoul (KR)

(73) Assignee: **LG ELECTRONICS INC.**, Seoul (KR)

(**) Term: **15 Years**

(21) Appl. No.: **29/751,949**

(22) Filed: **Sep. 24, 2020**

(30) **Foreign Application Priority Data**

Apr. 20, 2020 (KR) 30-2020-0017477

(51) **LOC (14) Cl.** **15-05**

(52) **U.S. Cl.**
USPC **D32/31**

(58) **Field of Classification Search**
USPC D6/310, 512, 553, 569, 675, 570, 682.2;
D32/25, 31, 32, 33
CPC A47L 9/00; A47L 9/0018; A47L 9/0027;
A47L 9/0036; A47L 9/0045; A47G 29/00;
A47G 29/08
See application file for complete search history.

(56) **References Cited**

U.S. PATENT DOCUMENTS

D330,824 S * 11/1992 Kosten D6/569
D369,710 S * 5/1996 Picard D6/559
5,826,299 A * 10/1998 Kim A47L 9/0009
15/415.1
D422,764 S * 4/2000 Wood D32/31
6,058,558 A * 5/2000 Kim A47L 9/0045
15/323
D444,603 S * 7/2001 Murphy D32/31

6,345,407 B1 * 2/2002 Jupp A47L 9/0027
15/323
D463,079 S * 9/2002 Leyden D32/31
D567,560 S * 4/2008 Byers D6/553
D863,703 S * 10/2019 Wang D32/31
(Continued)

FOREIGN PATENT DOCUMENTS

CN 20210093006 A * 10/2021
KR D210974-001 * 4/2022

OTHER PUBLICATIONS

Amazon.com, LANMU Docking Station Accessory https://www.amazon.com/LANMU-Docking-Accessory-Attachments-Organizer/dp/B07TP5GDHC/ref=sr_1_60 (Year: 2019).*

Primary Examiner — Kevin K Rudzinski
Assistant Examiner — Richard E Yenchesky
(74) *Attorney, Agent, or Firm* — Birch, Stewart, Kolasch & Birch, LLP

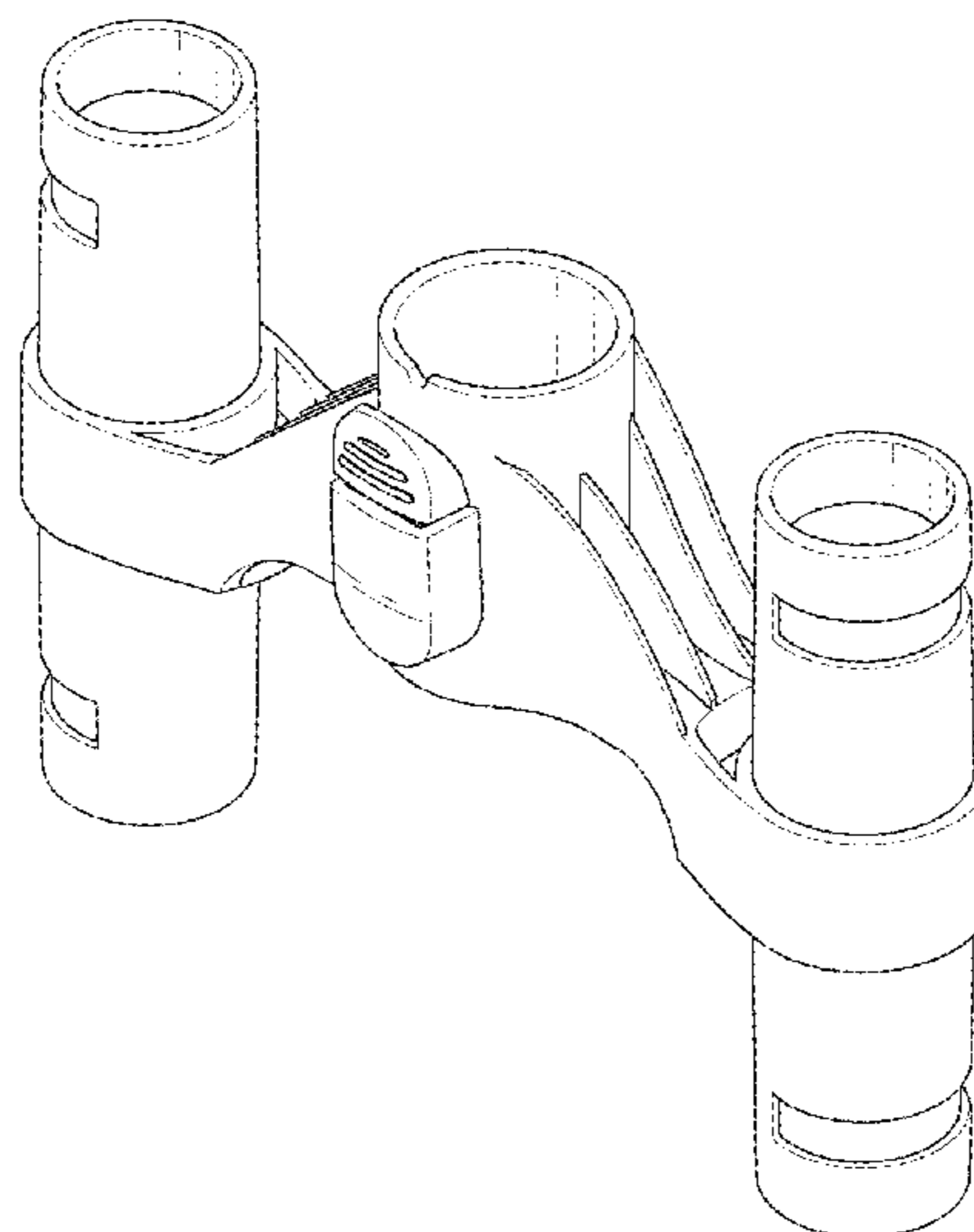
(57) **CLAIM**

The ornamental design for an accessory holder for vacuum cleaner, as shown and described.

DESCRIPTION

FIG. 1 is a front, right side, perspective view of an accessory holder for vacuum cleaner showing our new design; FIG. 2 is a front view thereof; FIG. 3 is a rear view thereof; FIG. 4 is a left side view thereof; FIG. 5 is a right side view thereof; FIG. 6 is a top view thereof; and, FIG. 7 is a bottom view thereof. The broken lines shown in the figures depict portions of the accessory holder for vacuum cleaner that form no part of the claimed design.

1 Claim, 7 Drawing Sheets



(56)

References Cited

U.S. PATENT DOCUMENTS

D903,964 S * 12/2020 Zhu D32/31
2003/0024067 A1 * 2/2003 Roney A47L 9/0009
15/323

* cited by examiner

FIG. 1

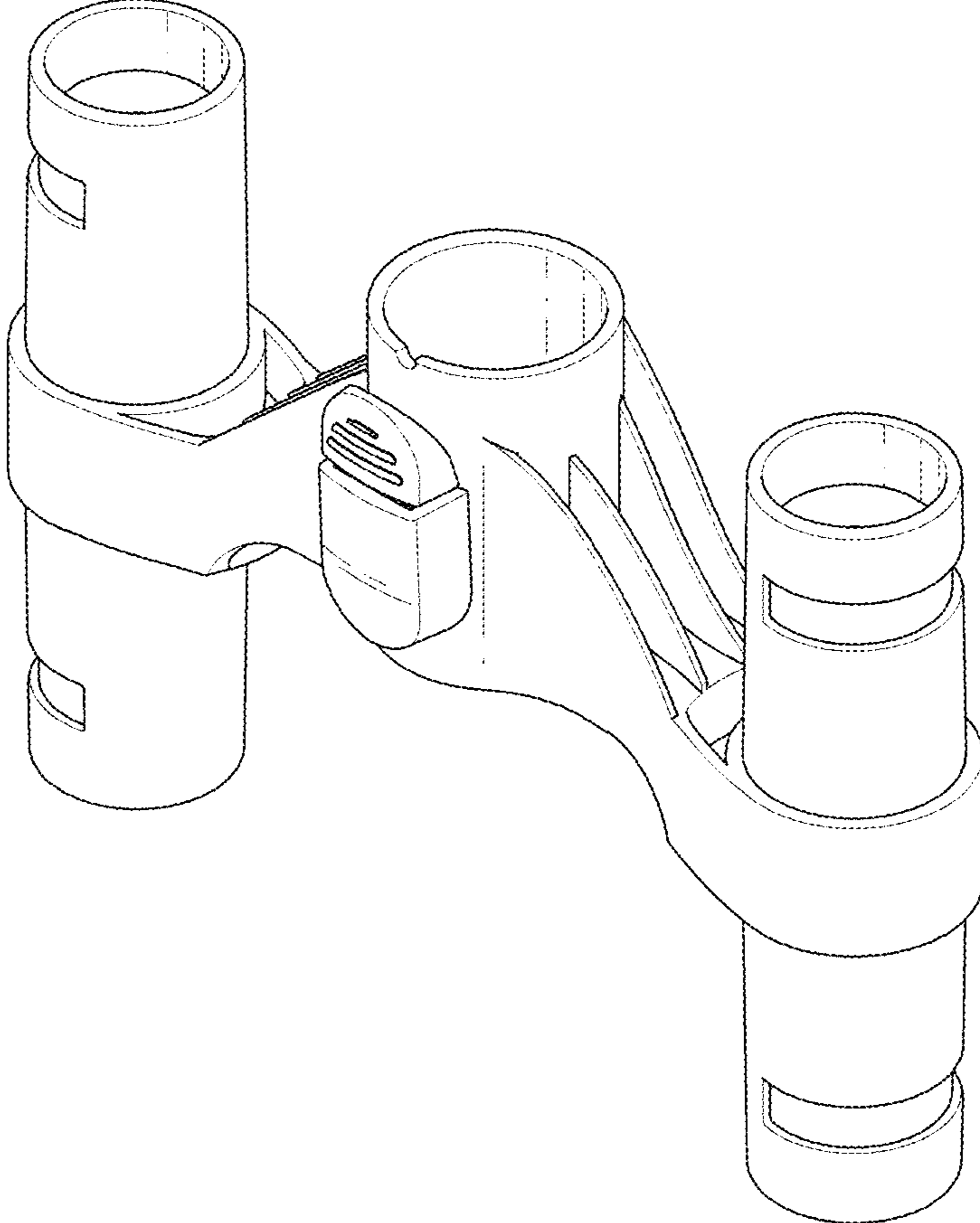


FIG. 2

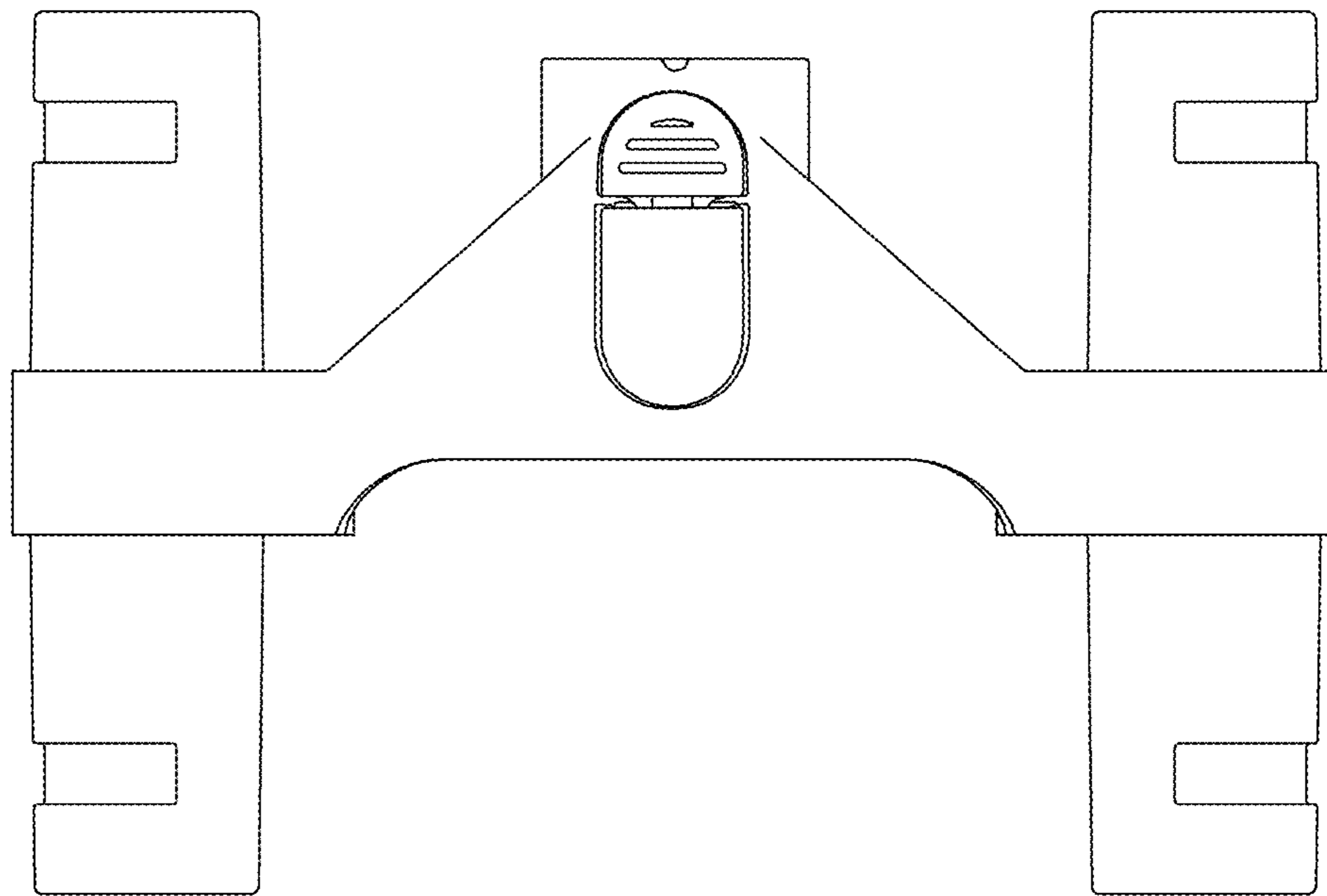


FIG. 3

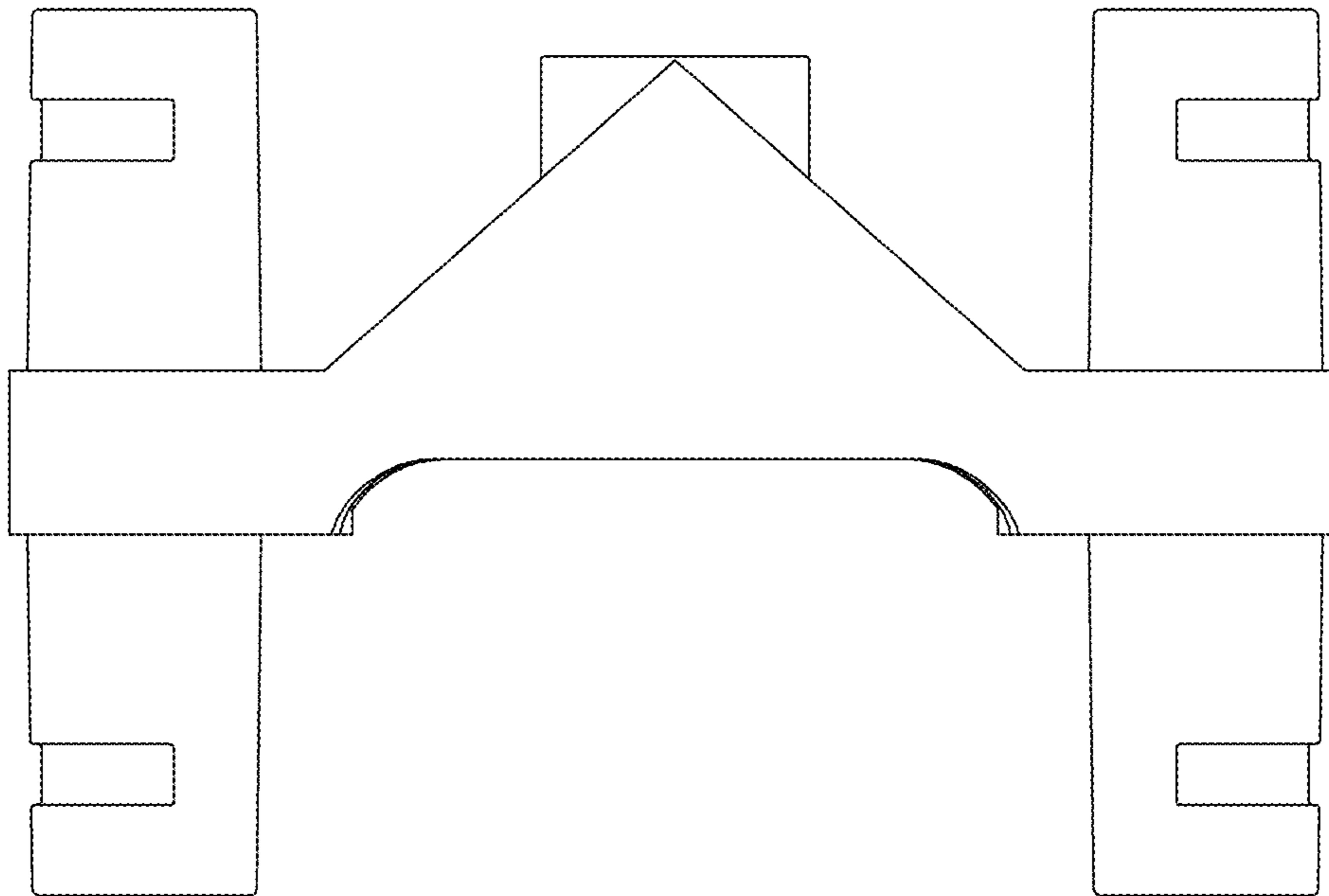


FIG. 4

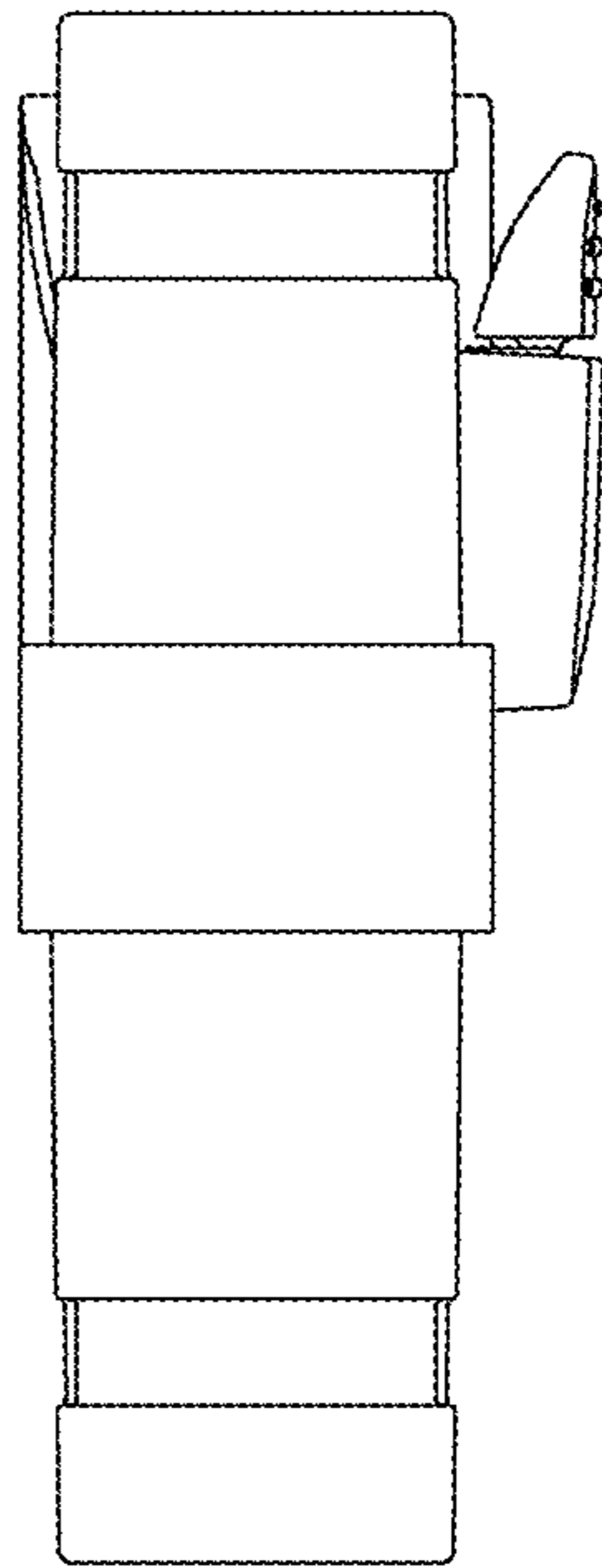


FIG. 5

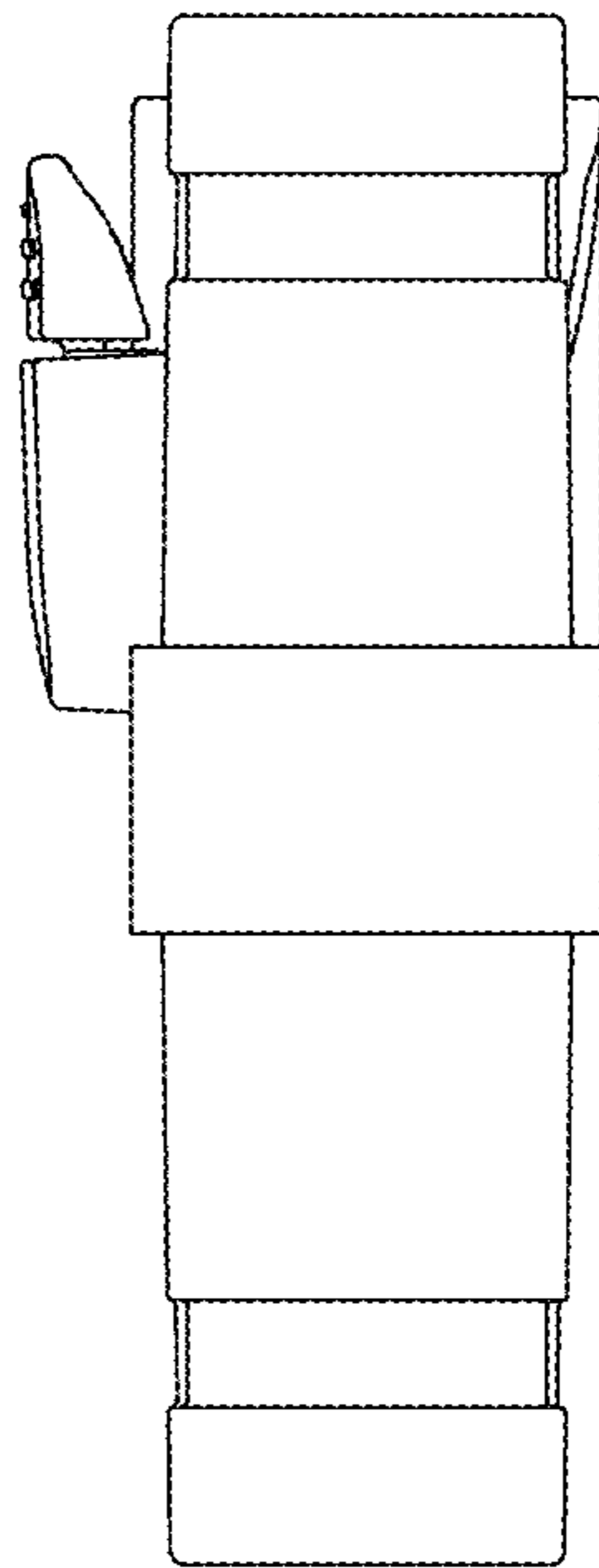


FIG. 6

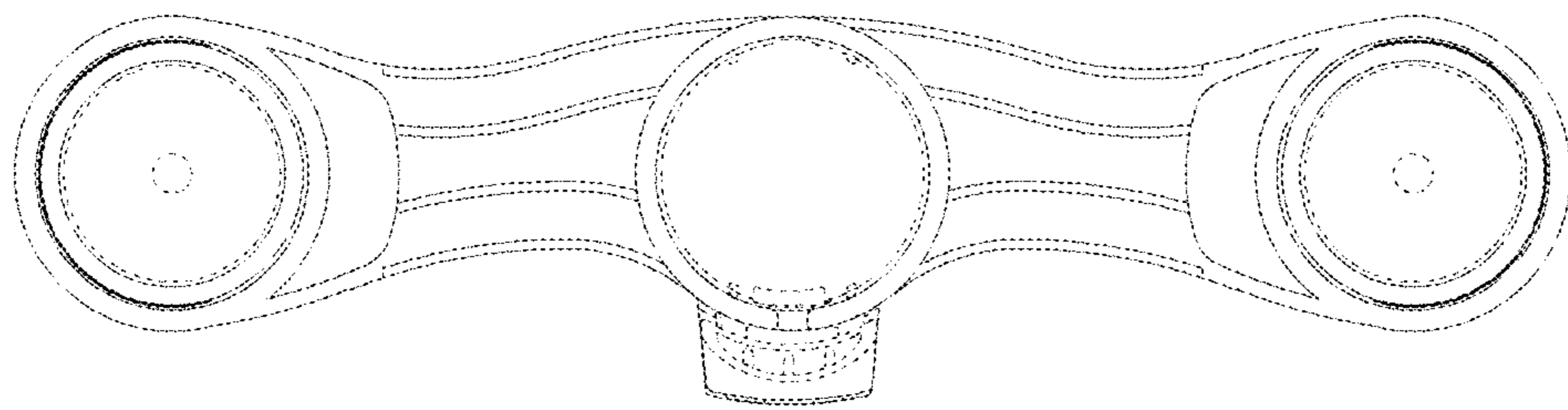


FIG. 7

