



US00D977211S

(12) **United States Design Patent**
Chen

(10) **Patent No.:** **US D977,211 S**

(45) **Date of Patent:** **** Jan. 31, 2023**

(54) **HOUSEHOLD VACUUM CLEANER**

(71) Applicant: **Ningbo Aku Electric Co., Ltd., Yuyao (CN)**

(72) Inventor: **Yadan Chen, Yuyao (CN)**

(**) Term: **15 Years**

(21) Appl. No.: **29/858,123**

(22) Filed: **Oct. 28, 2022**

(51) **LOC (14) Cl.** **15-05**

(52) **U.S. Cl.**
USPC **D32/21; D32/18**

(58) **Field of Classification Search**
USPC D32/15–25, 30–34
CPC ... A47L 5/24; A47L 5/26; A47L 5/367; A47L
7/0076; A47L 7/008; A47L 9/2857; A47L
9/32; A47L 9/322; A47L 9/325; A47L
9/327; A47L 9/1608

See application file for complete search history.

(56) **References Cited**

U.S. PATENT DOCUMENTS

D294,412 S *	2/1988	Sadashima	D32/18
D608,063 S *	1/2010	Okuda	D32/18
D608,511 S *	1/2010	Okuda	D32/18
D660,527 S *	5/2012	Kawase	D32/18
D660,528 S *	5/2012	Okuda	D32/18
D696,825 S *	12/2013	Sweeney	D32/18
D725,327 S	3/2015	Houghton		
D725,852 S	3/2015	Houghton		
D731,720 S	6/2015	Gidwell		
D742,083 S	10/2015	Gidwell		
D818,223 S	5/2018	Nam		
D818,224 S	5/2018	Nam		

D821,667 S	6/2018	Nam		
D880,086 S	3/2020	Tan		
D918,502 S	5/2021	Ma		
D939,793 S *	12/2021	Liu	D32/18
D941,539 S *	1/2022	Crawley	D32/18
11,224,324 B2 *	1/2022	Conrad	A47L 9/1608
D943,848 S	2/2022	Liu		
2021/0093141 A1 *	4/2021	Oka	A47L 9/24
2022/0279995 A1 *	9/2022	Conrad	A47L 9/1666

* cited by examiner

Primary Examiner — Kimberly Barnes

(74) *Attorney, Agent, or Firm* — Runit Ranjit Kanakia

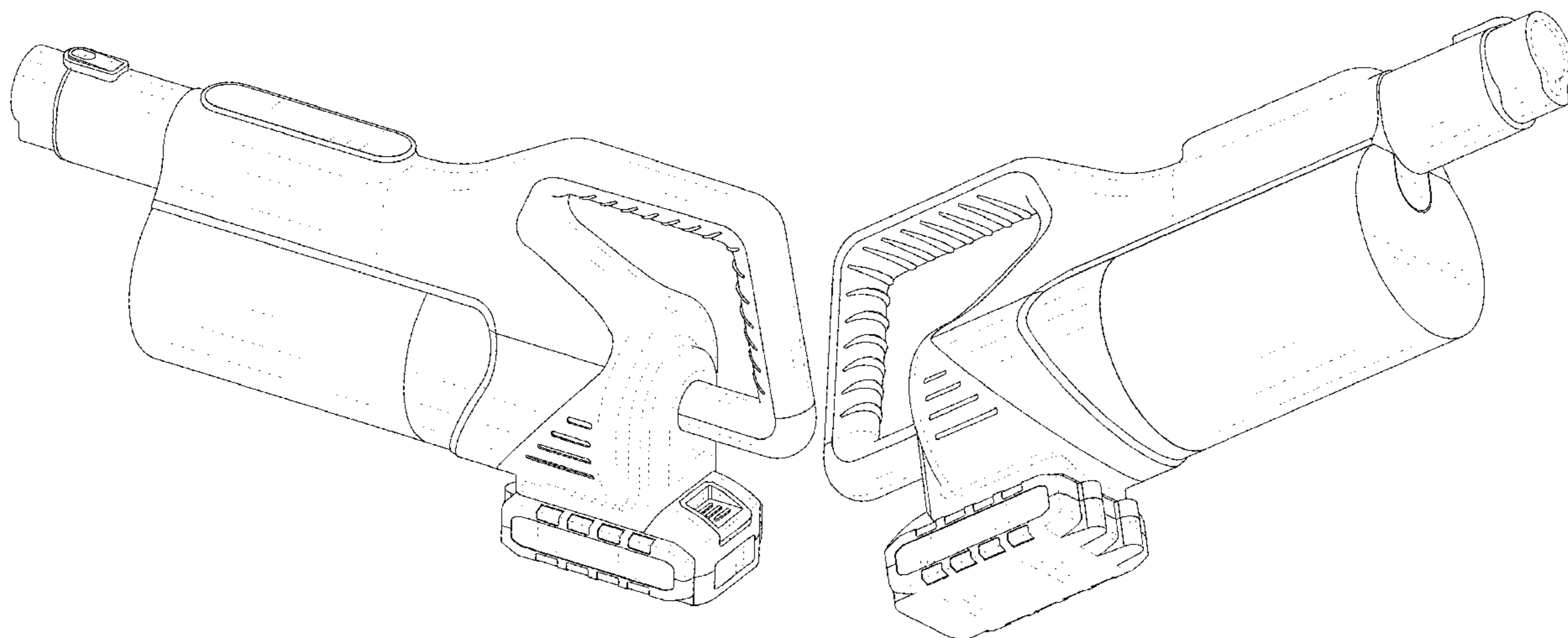
(57) **CLAIM**

The ornamental design for a household vacuum cleaner, as shown and described.

DESCRIPTION

FIG. 1 is a front perspective view of a household vacuum cleaner showing my new design;
 FIG. 2 is a rear perspective view thereof;
 FIG. 3 is a front elevational view thereof, the rear elevational view being a mirror image of FIG. 3;
 FIG. 4 is a left side view thereof;
 FIG. 5 is a right side view thereof;
 FIG. 6 is a top plan view thereof;
 FIG. 7 is a bottom plan view thereof; and,
 FIG. 8 is a front perspective view of the household vacuum cleaner in a used state.
 The broken lines in FIG. 2, FIG. 4 and FIG. 8 are for the purposes of illustrating portions of the household vacuum cleaner, which form no part of the claimed design.

1 Claim, 6 Drawing Sheets



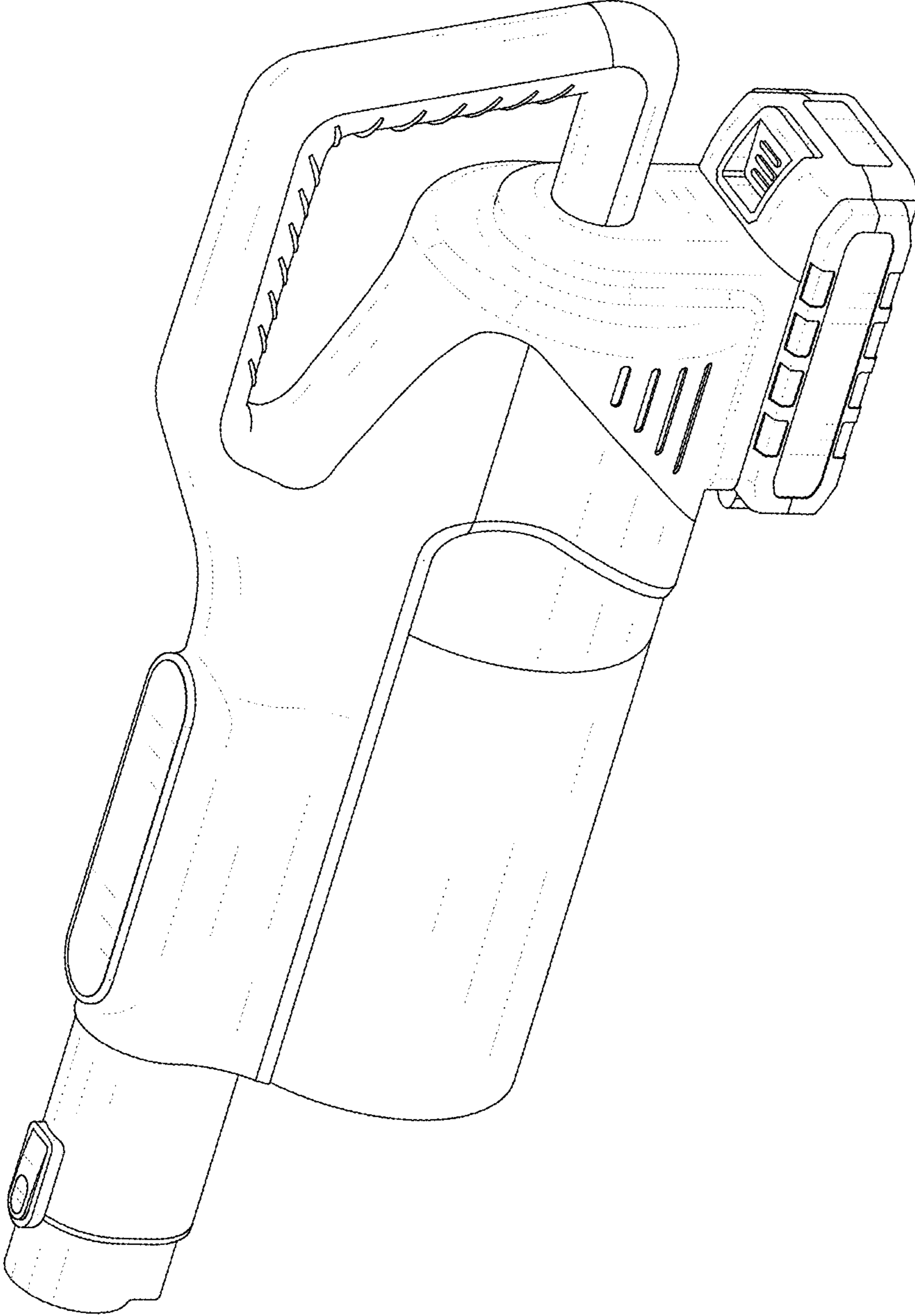


FIG. 1

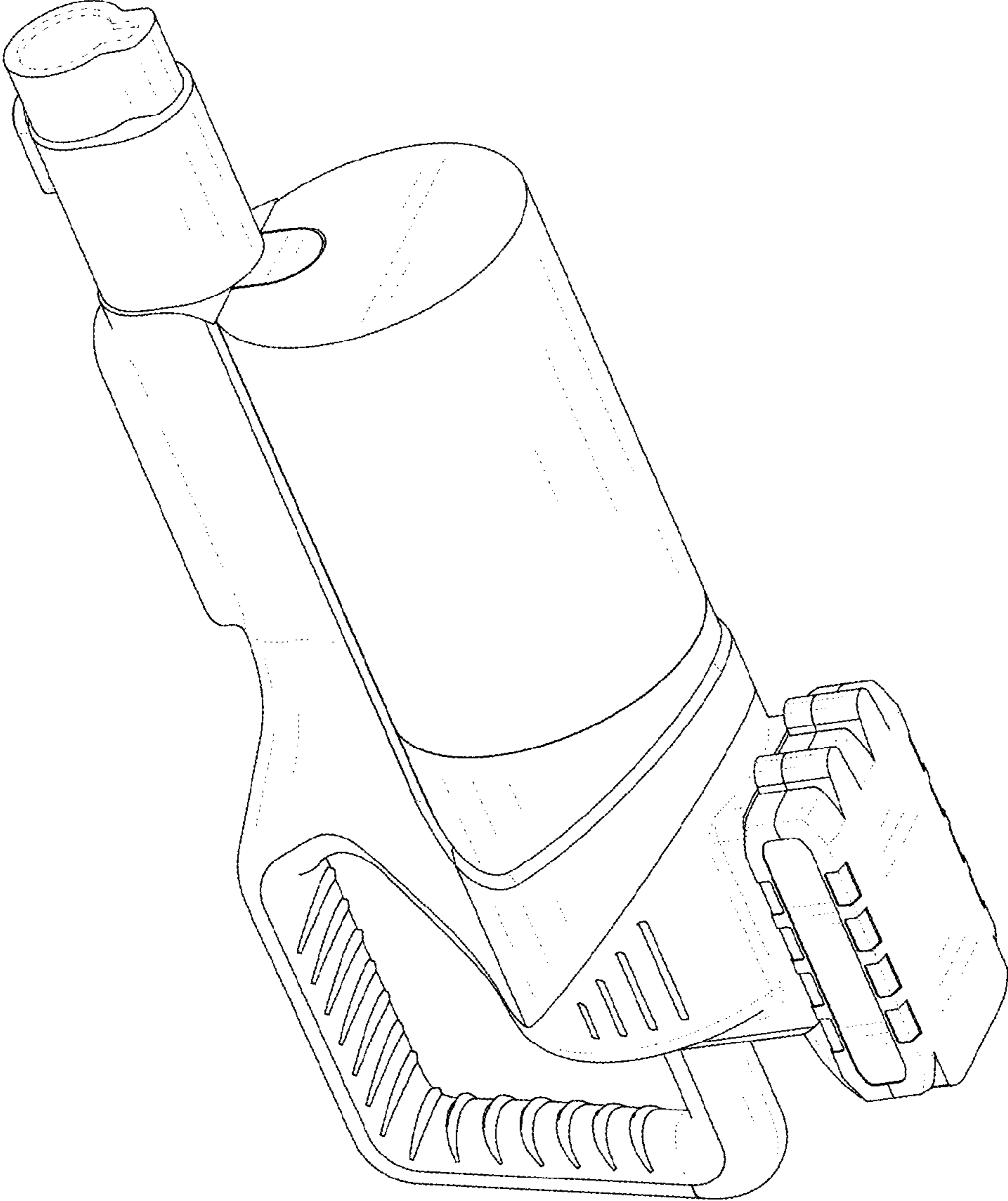


FIG. 2

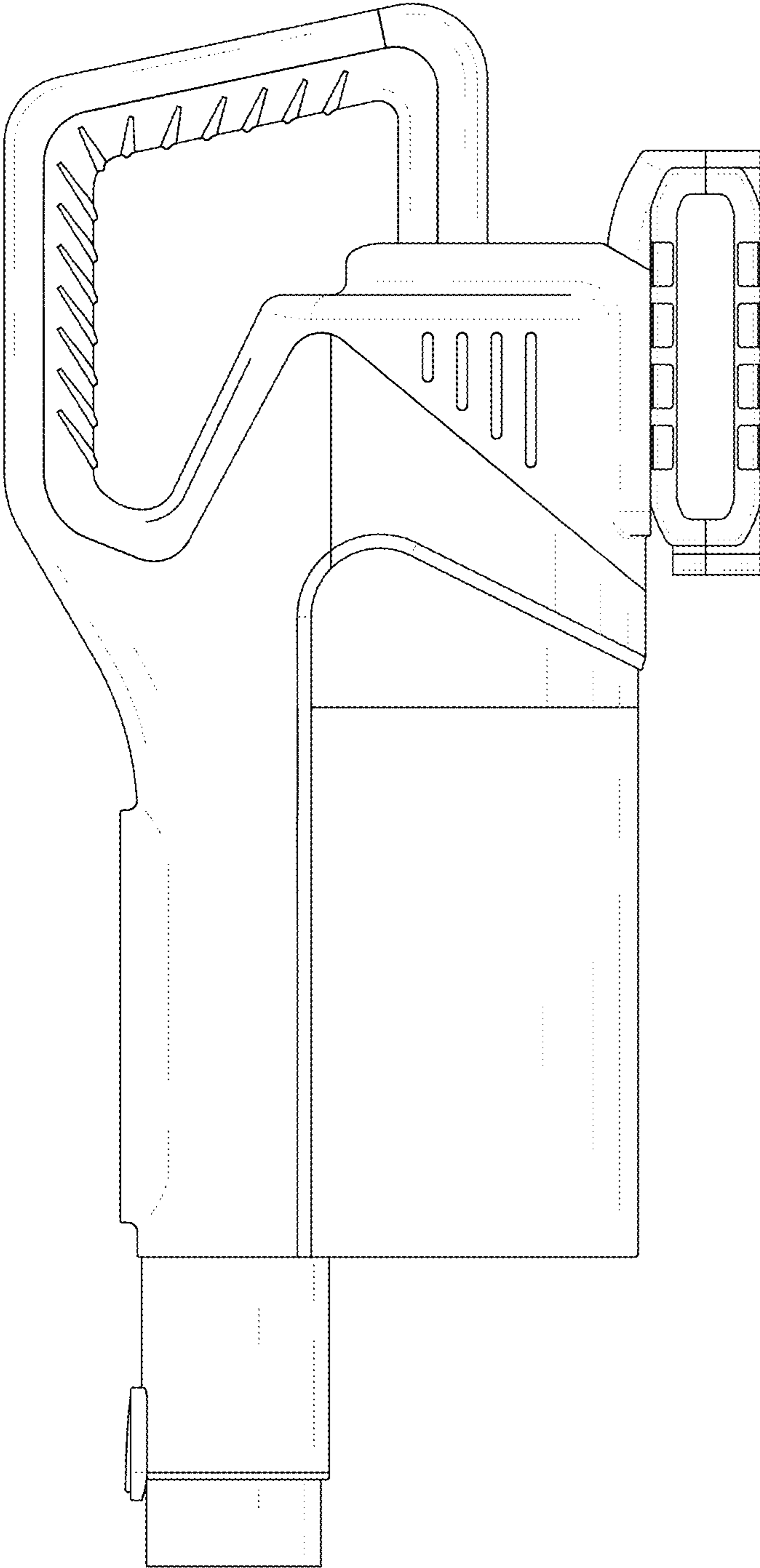


FIG. 3

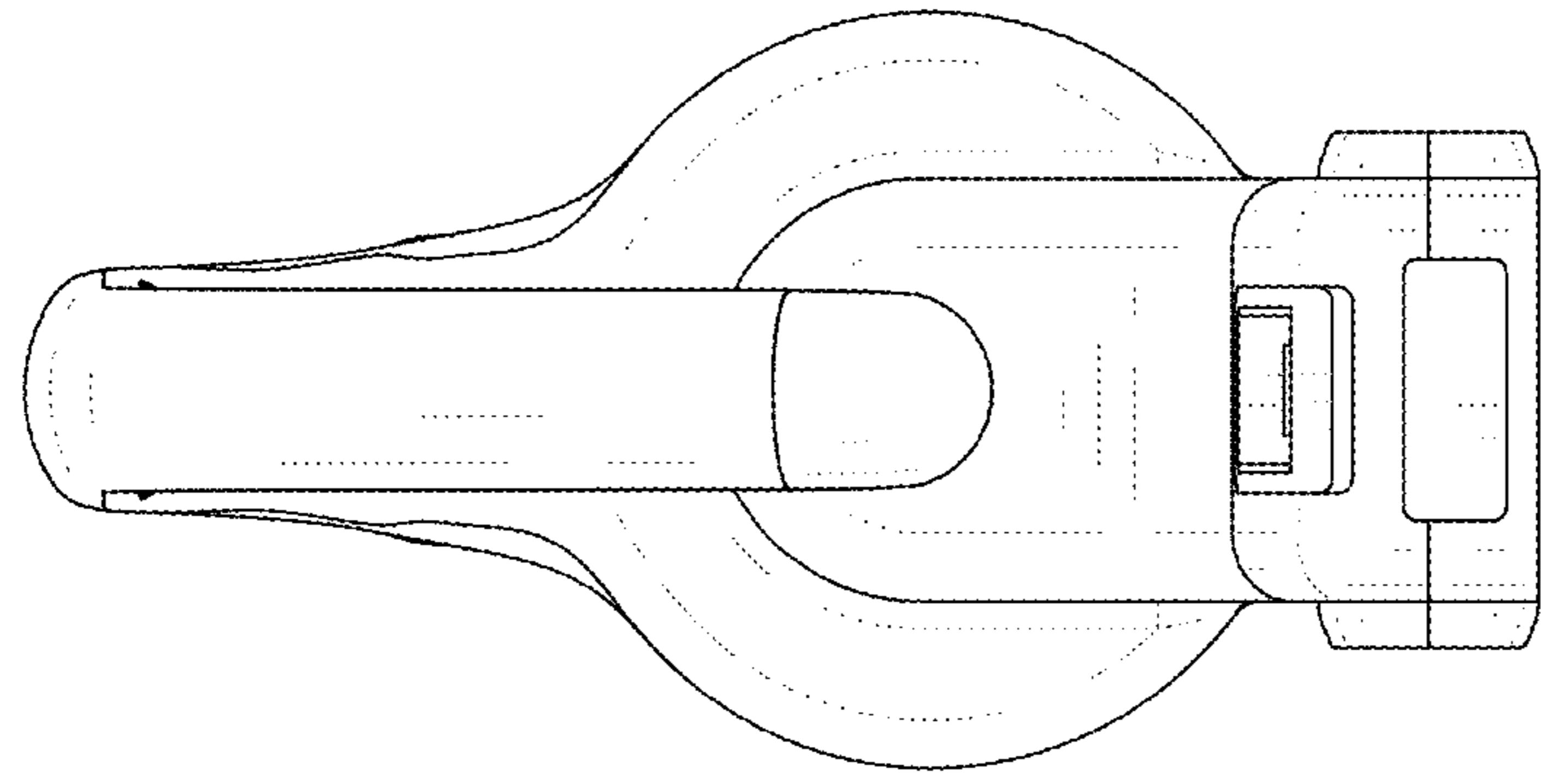


FIG. 4

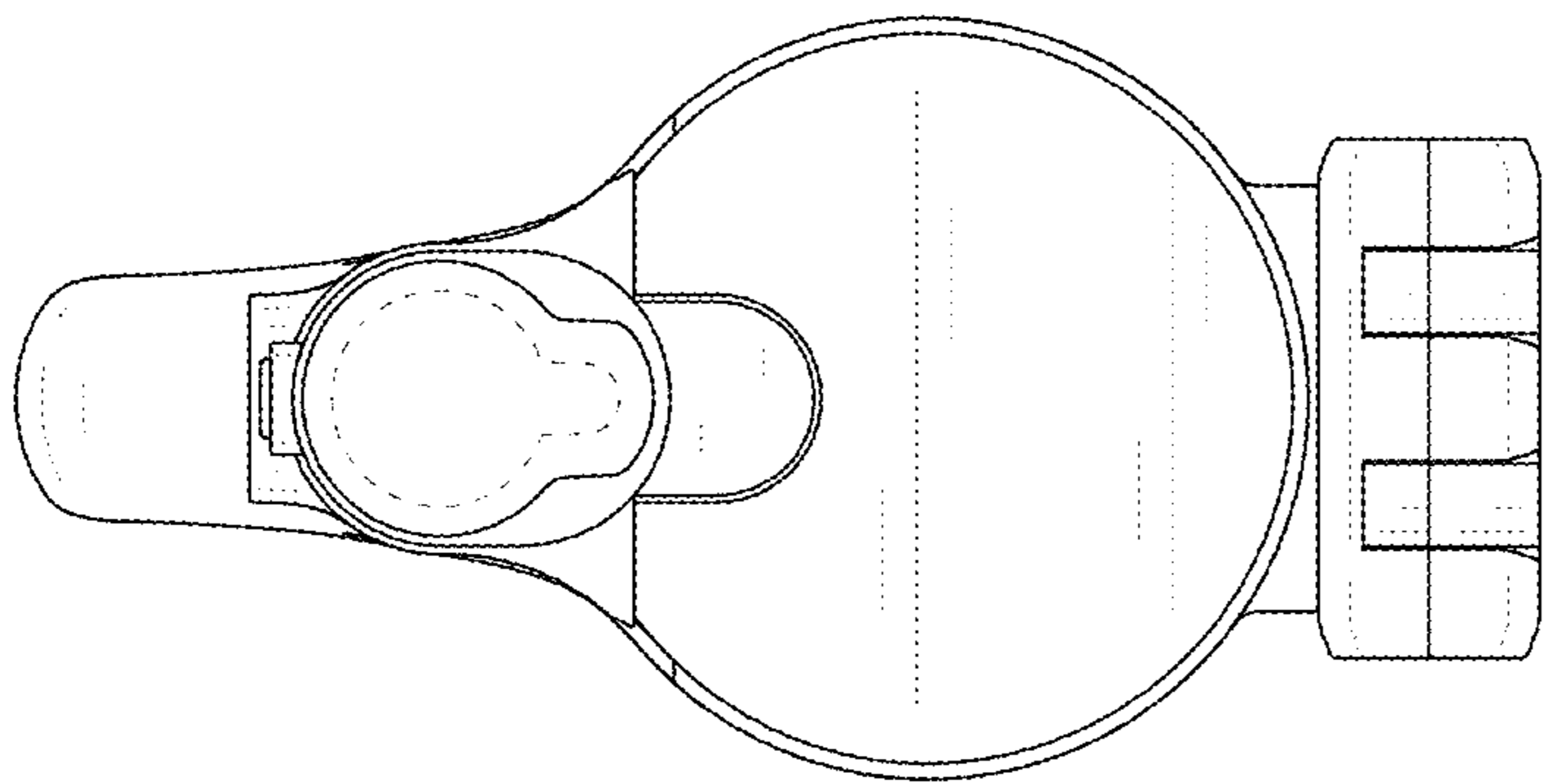


FIG. 5

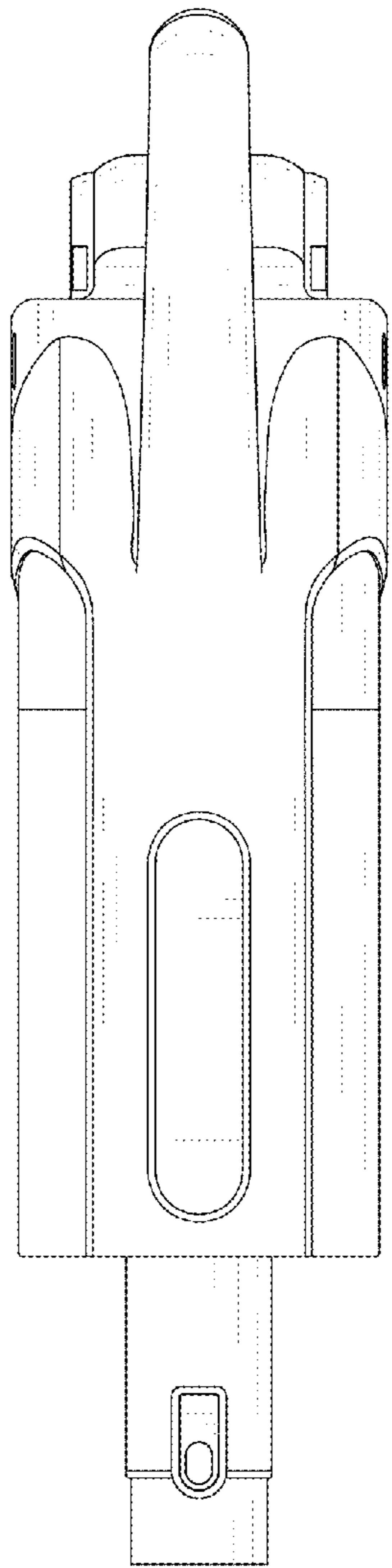


FIG. 6

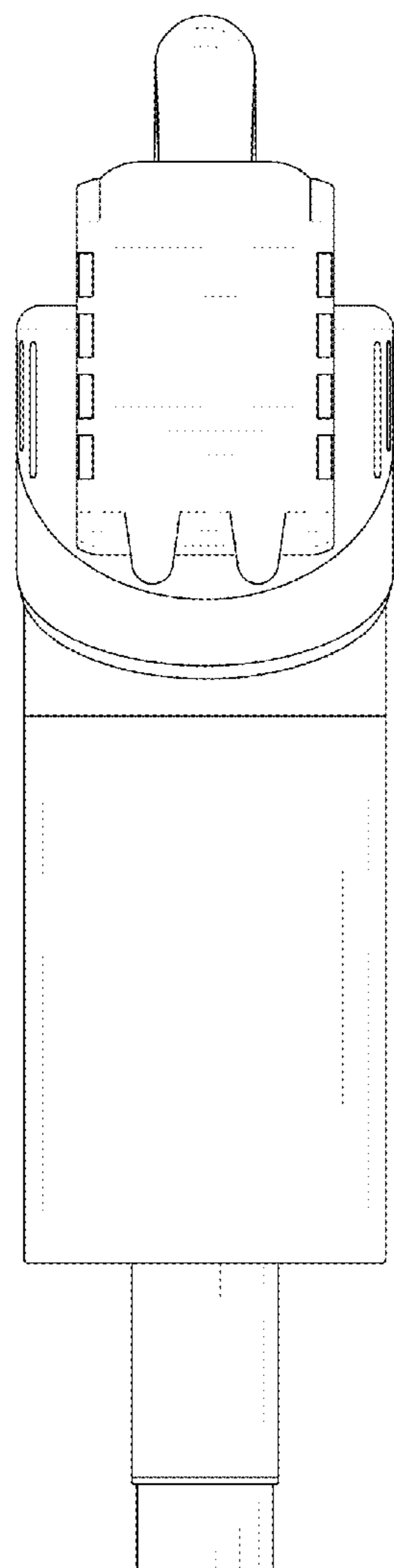


FIG. 7

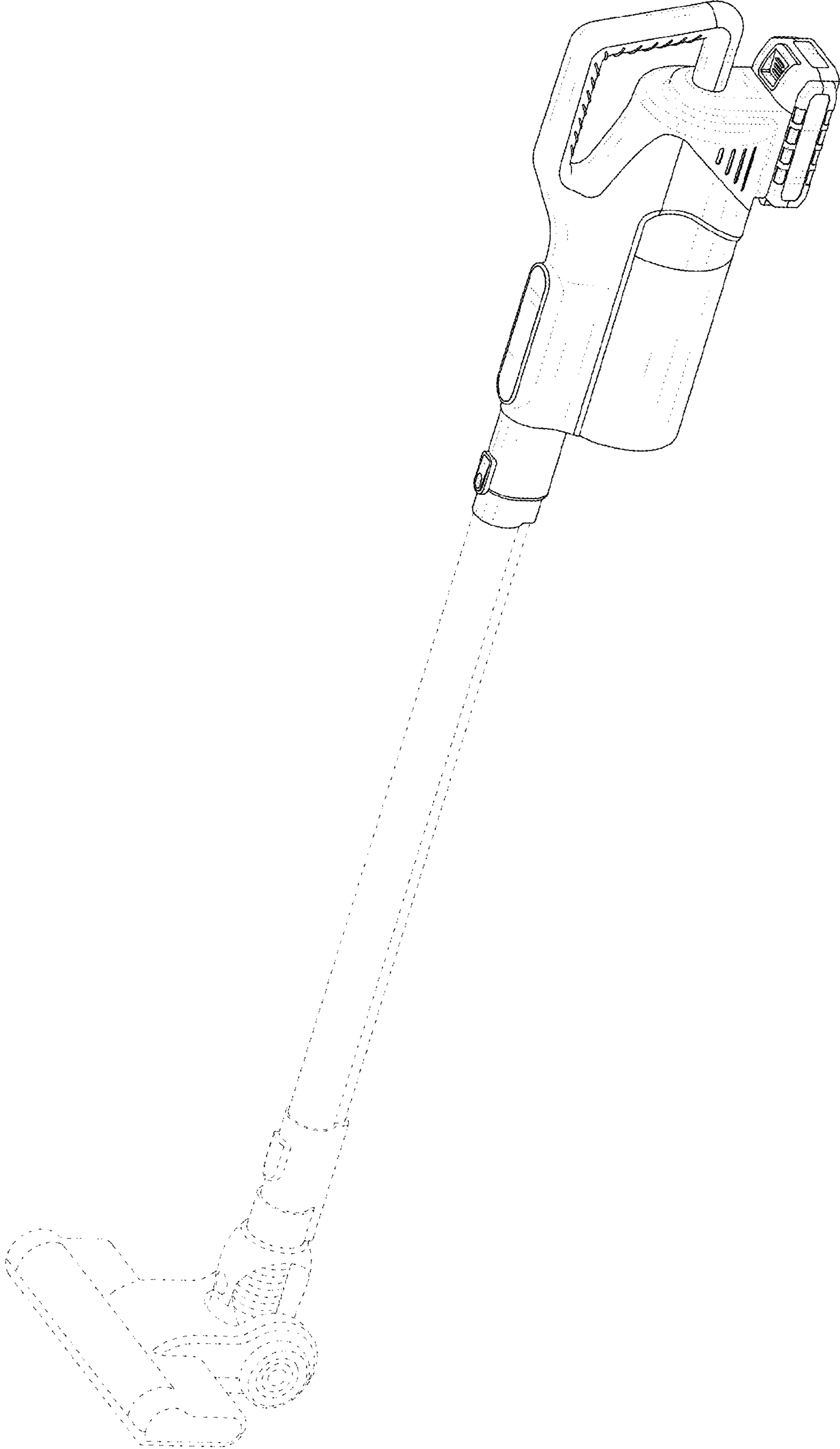


FIG. 8