



US00D977210S

(12) **United States Design Patent** (10) **Patent No.:** **US D977,210 S**
Yang et al. (45) **Date of Patent:** **** Jan. 31, 2023**

(54) **GARMENT STEAMER**
(71) Applicant: **EVERSONIC PRODUCTS INC.**,
Rowland Heights, CA (US)
(72) Inventors: **Ruishi Yang**, Rowland Heights, CA
(US); **Lok Hing Tang**, Rowland
Heights, CA (US)

D820,540 S 6/2018 Cartwright et al.
D842,559 S * 3/2019 Yang D32/17
D857,313 S * 8/2019 Smith D32/17
D918,501 S 5/2021 Li
D921,306 S * 6/2021 Ediger D32/17
D922,007 S * 6/2021 Huang D32/17
D942,098 S * 1/2022 Xing D32/17

(Continued)

(73) Assignee: **EVERSONIC PRODUCTS INC.**,
Rowland Heights, CA (US)

FOREIGN PATENT DOCUMENTS

CN 307464497 * 7/2022

(**) Term: **15 Years**

OTHER PUBLICATIONS

(21) Appl. No.: **29/843,220**

Amazon.com_ Newbealer Handheld Steamer https://www.amazon.com/dp/B09TRCCPCB?pd_rd_i=B09TRCCPCB&pf_rd_p=55defc4a-7c1e-47a7-8d1d-5cc458cca688&pf_rd_r=NDK3P0NFW3TKB8BYDM31&pd_rd_wg=YinEc&pd_rd_w=5ZJ6v&pd_rd_r=0269c402-2fc8-494b-8a50-084316d624ff (Year: 2022).*

(22) Filed: **Jun. 19, 2022**

(51) **LOC (14) Cl.** **15-05**

(52) **U.S. Cl.**
USPC **D32/17**

(58) **Field of Classification Search**
USPC D23/223; D32/17
CPC D06F 73/00; D06F 75/10; D06F 75/12;
D06F 75/30; D06F 87/00
See application file for complete search history.

(Continued)

Primary Examiner — Kevin K Rudzinski
Assistant Examiner — Richard E Yenchesky

(56) **References Cited**

(57) **CLAIM**

The ornamental design for a garment steamer, as shown and described.

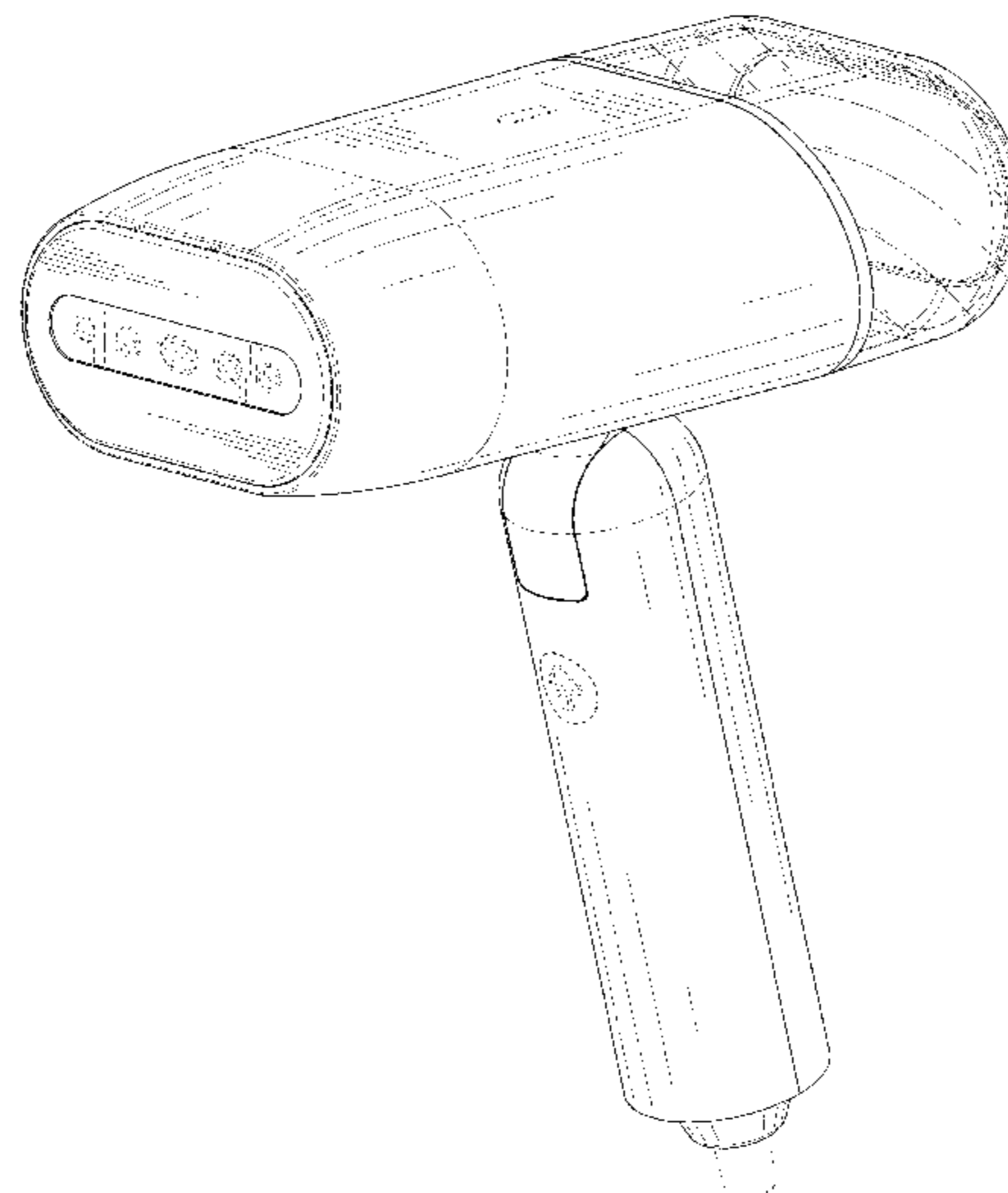
U.S. PATENT DOCUMENTS

DESCRIPTION

D222,502 S * 10/1971 Madl et al. D8/29.1
3,620,055 A * 11/1971 Blachly D06F 75/30
392/404
3,646,317 A * 2/1972 Osrow D06F 87/00
392/404
D229,016 S * 11/1973 Plasko D32/17
D229,664 S * 12/1973 Stutzer D32/17
D262,257 S * 12/1981 Sohn D4/102
D576,363 S * 9/2008 Reiner D32/17
7,490,422 B1 * 2/2009 Chen D06F 75/10
38/77.1
D589,663 S * 3/2009 Massip D32/17
8,893,410 B2 * 11/2014 Vrdoljak D06F 75/30
68/222
D776,887 S * 1/2017 Deffrennes D32/17
9,845,568 B2 * 12/2017 Fung D06F 87/00

FIG. 1 is a perspective view of a garment steamer showing our new design;
FIG. 2 is another perspective view thereof;
FIG. 3 is a front elevational view thereof;
FIG. 4 is a rear elevational view thereof;
FIG. 5 is a left side elevational view thereof;
FIG. 6 is a right side elevational view thereof;
FIG. 7 is a top plan view thereof; and,
FIG. 8 is a bottom plan view thereof.
The broken lines in the drawings depict portions of the garment steamer that form no part of the claimed design.

1 Claim, 8 Drawing Sheets



(56)

References Cited

U.S. PATENT DOCUMENTS

D957,571 S * 7/2022 de Swarte D23/223
2010/0024492 A1 * 2/2010 Leung D06F 73/00
68/222
2015/0354128 A1 * 12/2015 Choo D06F 87/00
68/213
2016/0194816 A1 * 7/2016 Chua D06F 87/00
68/222
2018/0371684 A1 * 12/2018 Ong D06F 75/12

OTHER PUBLICATIONS

Amazon.com Diafield Steamer (May 11, 2022) https://www.amazon.com/DIAFIELD-Foldable-Handheld-Clothing-30-Second/dp/B09GVWS89L/ref=cm_cr_arp_d_product_top?ie=UTF8 (Year: 2022).*

* cited by examiner



FIG. 1

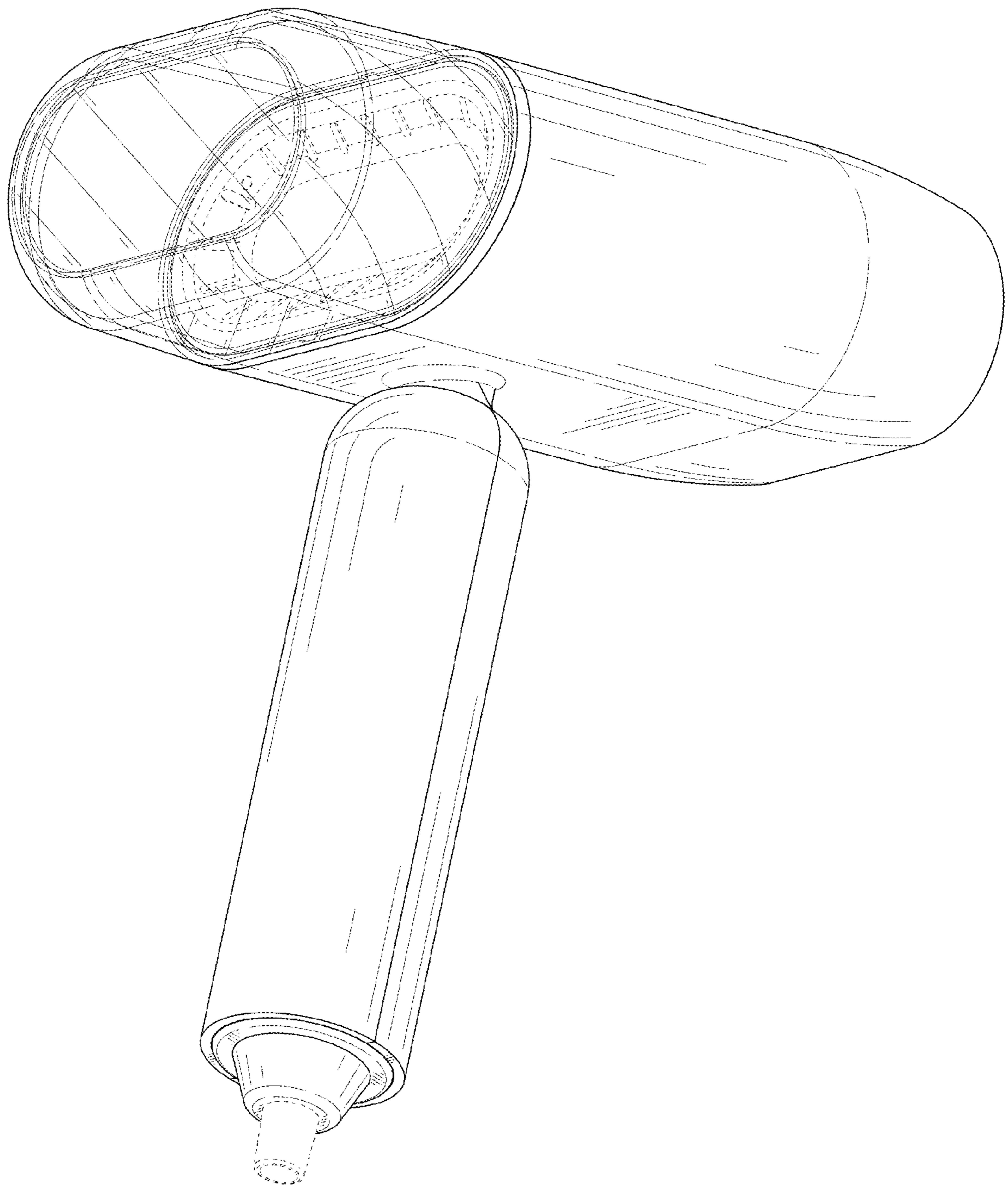


FIG. 2

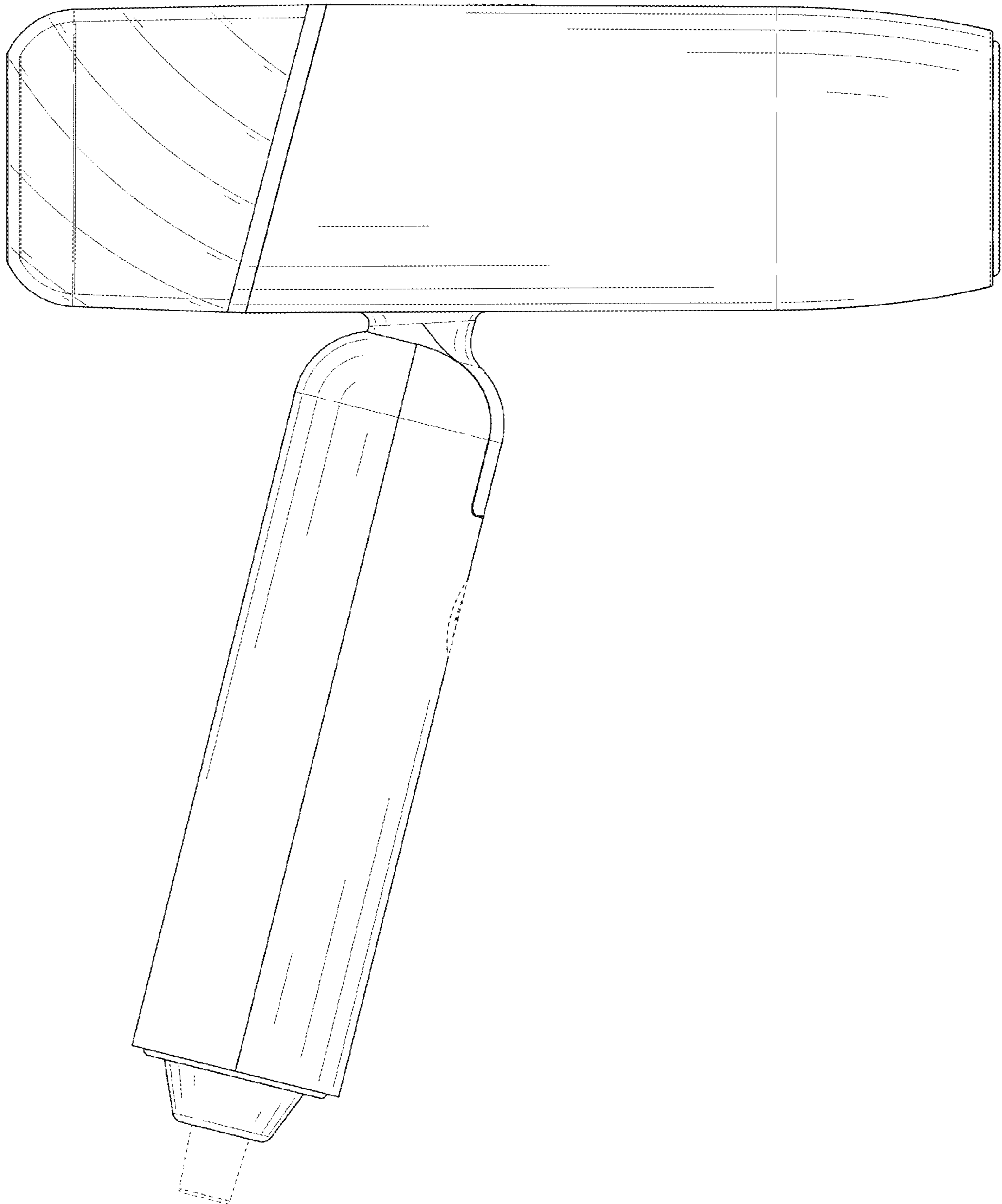


FIG. 3

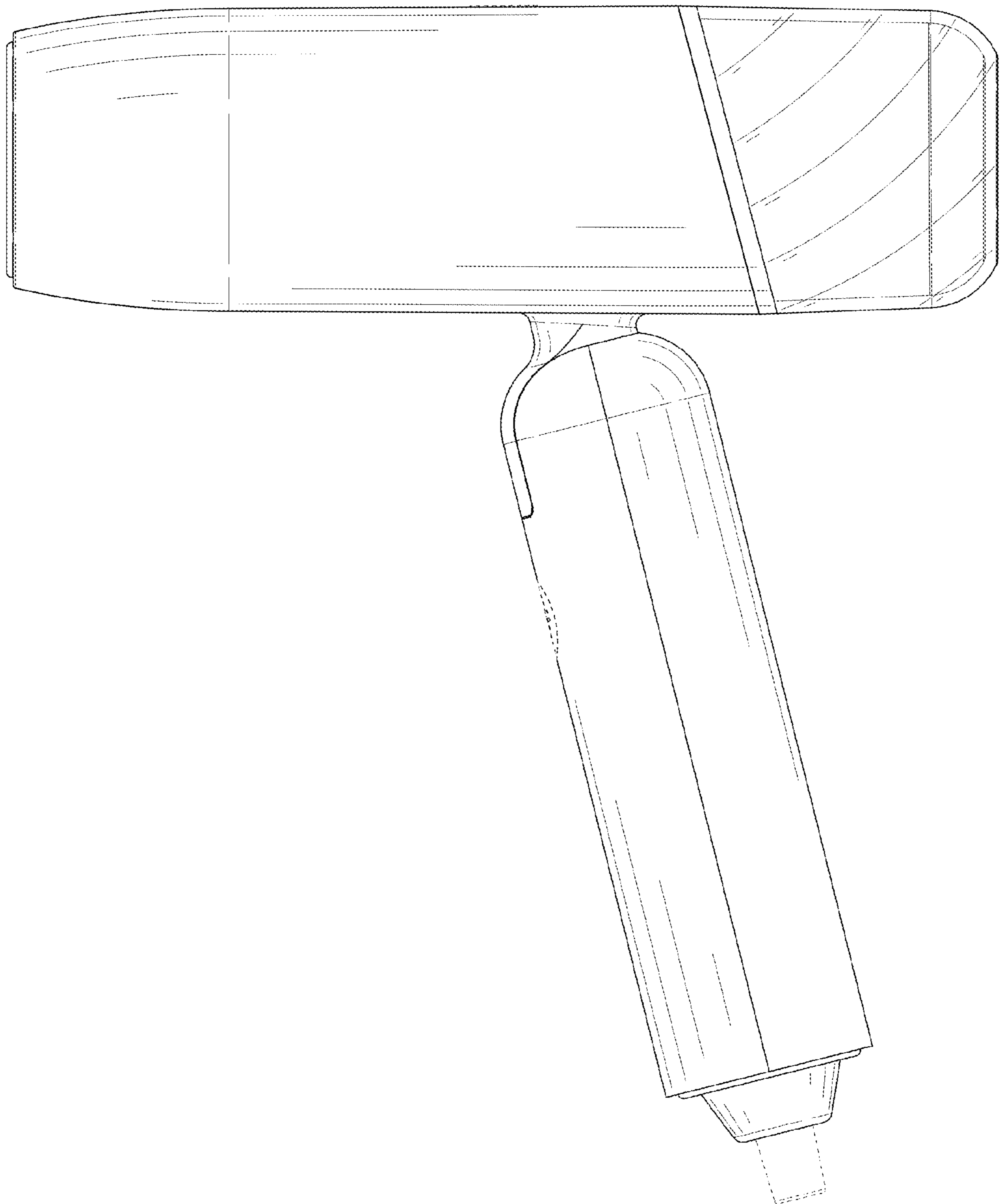


FIG. 4

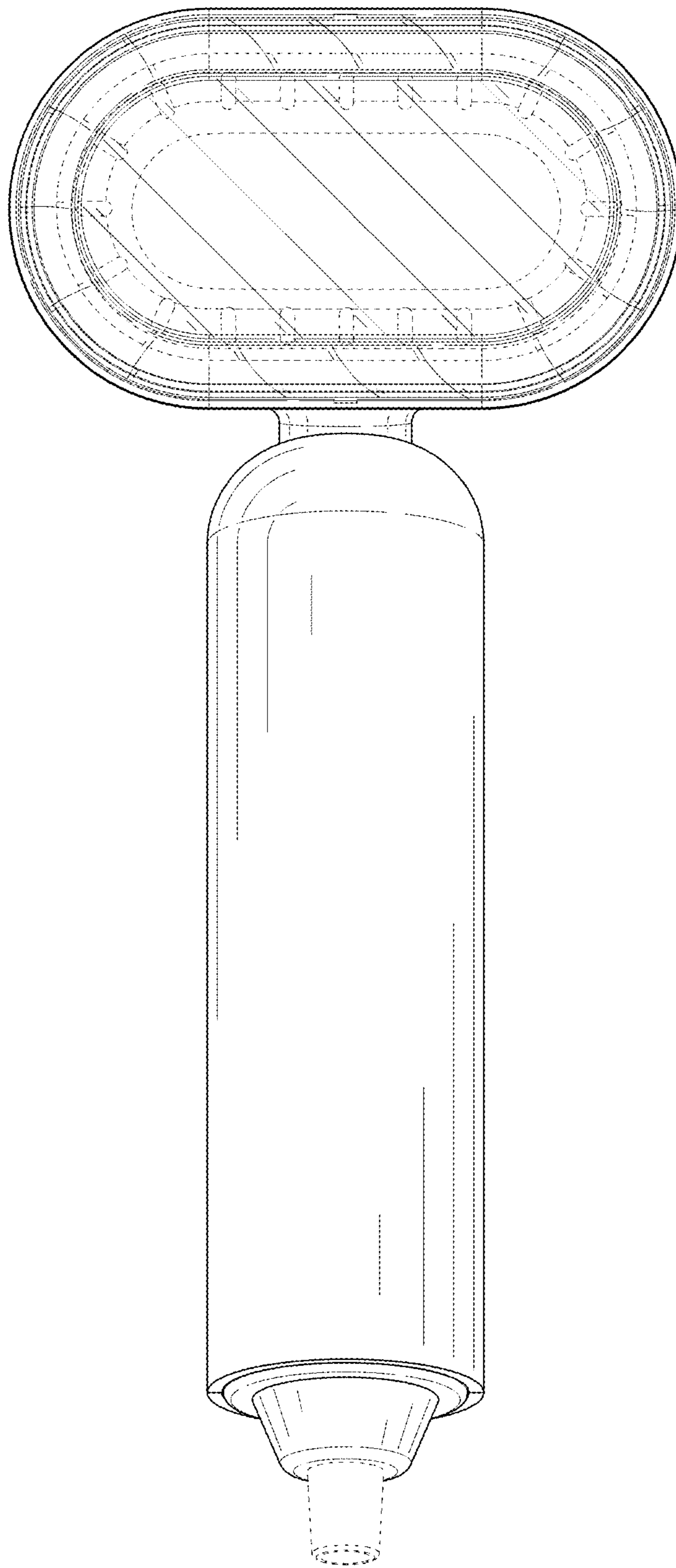


FIG. 5

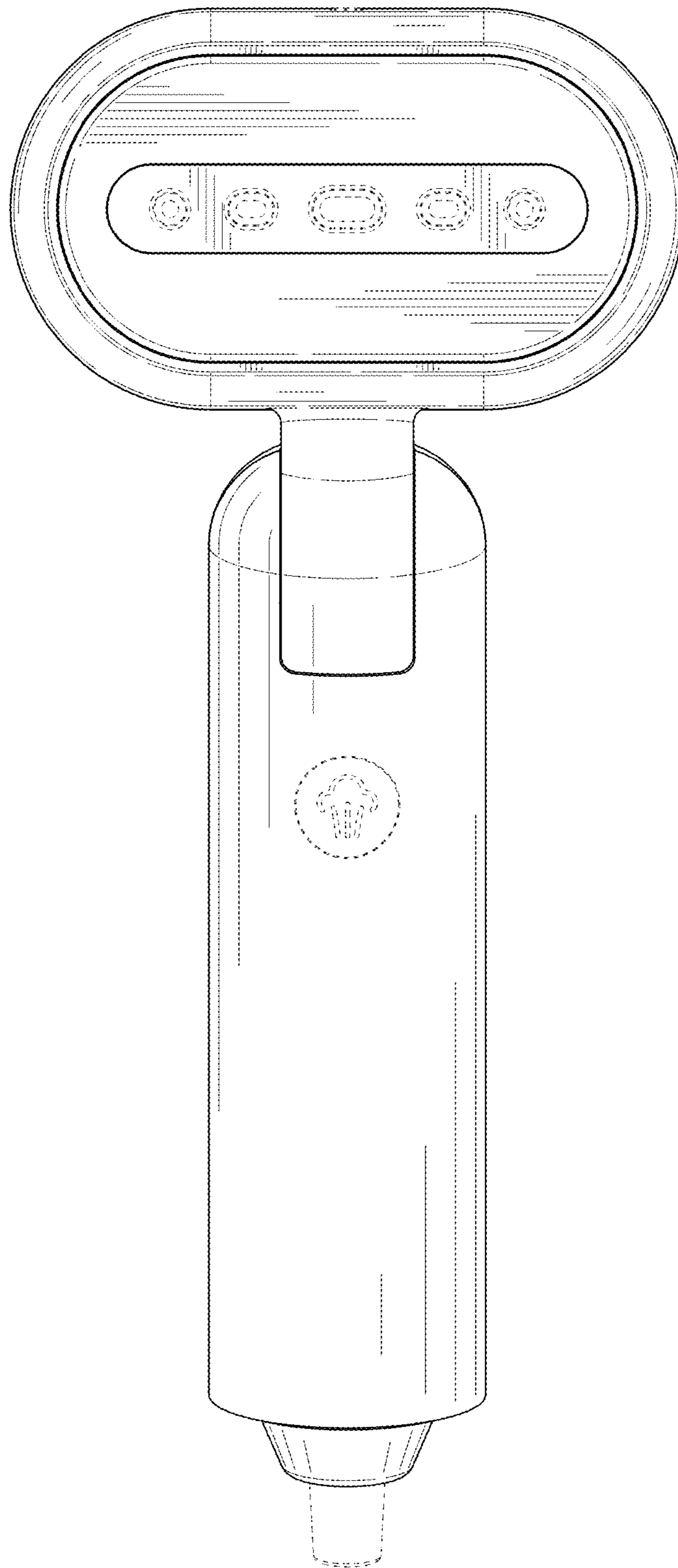


FIG. 6

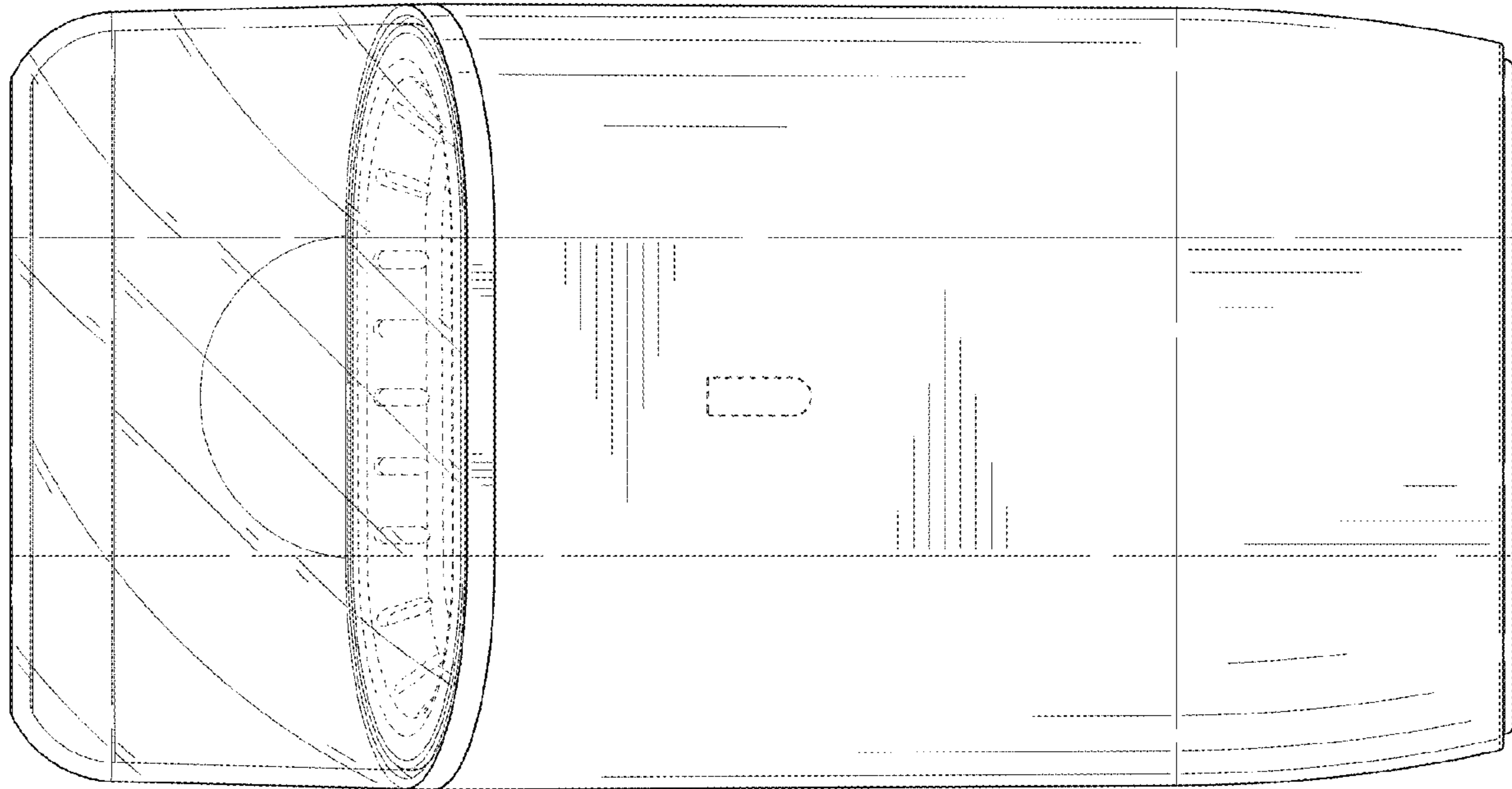


FIG. 7

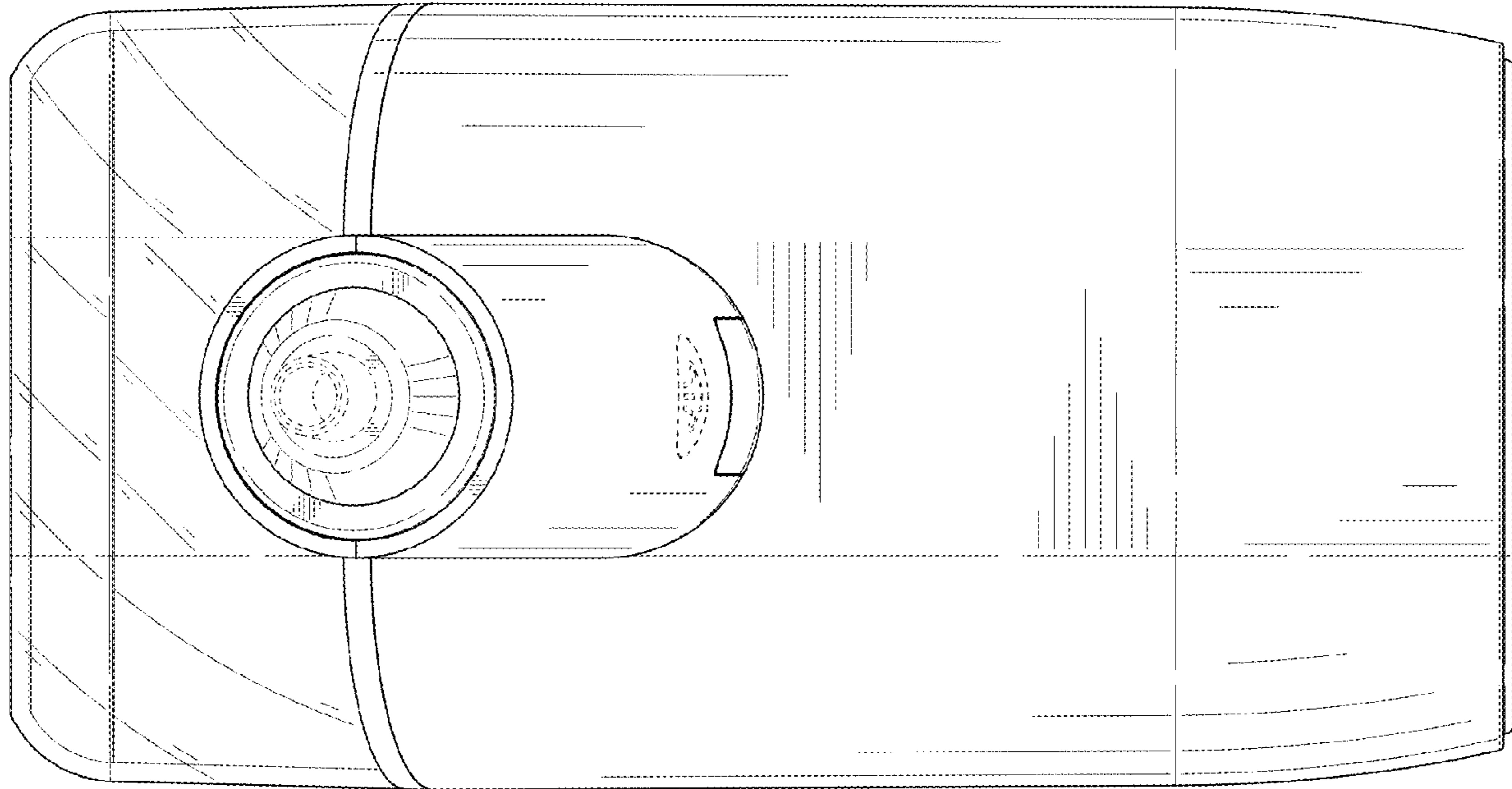


FIG. 8