



US00D977207S

(12) **United States Design Patent** (10) **Patent No.:** **US D977,207 S**
Bell et al. (45) **Date of Patent:** **** Jan. 31, 2023**

(54) **LITTER DEVICE CONTAINING LITTER DISPENSER FOR DOMESTIC ANIMALS**

FOREIGN PATENT DOCUMENTS

(71) Applicant: **Automated Pet Care Products, LLC**, Auburn Hills, MI (US)

CN 305005516 * 1/2019
CN 209314546 U 8/2019
(Continued)

(72) Inventors: **Troy Bell**, White Lake, MI (US); **Jason Smith**, West Bloomfield, MI (US); **Brad Baxter**, Bloomfield Hills, MI (US)

OTHER PUBLICATIONS

(73) Assignee: **AUTOMATED PET CARE PRODUCTS, LLC**, Auburn Hills, MI (US)

Cat Litter Boxes_Pet Toilet Creative Spherical Cat Litter Pot, available in Amazon.ca, date first available Aug. 15, 2020 [online], [site visited May 6, 2022], Available from the internet URL: <https://www.amazon.ca/Creative-Spherical-Personality-Enclosed-Automatic/dp/B08FXZQLM7?th=1> (Year: 2020).*

(**) Term: **15 Years**

Primary Examiner — Jennifer L Rempfer

(21) Appl. No.: **29/756,266**

Assistant Examiner — Elizabeth Anne Glassberg

(22) Filed: **Oct. 27, 2020**

(74) *Attorney, Agent, or Firm* — The Dobrusin Law Firm, P.C.; Daniela M. Thompson-Walters

(51) **LOC (14) Cl.** **30-99**

(57) **CLAIM**

(52) **U.S. Cl.**
USPC **D30/161**

We claim the ornamental design of a litter device containing litter dispenser for domestic animals, as shown and described.

(58) **Field of Classification Search**

DESCRIPTION

USPC D28/19; D30/108–109, 112–120, 161, D30/162; D32/6
CPC A01K 1/01; A01K 1/0107; A01K 1/011; A01K 1/0114; A01K 1/0117; A01K 1/0121; A01K 1/0125; A01K 1/0128; A01K 1/0132; A01K 1/0135; A01K 1/0139; A01K 1/0142; A01K 1/0236; A01K 1/0272; A01K

FIG. 1 is a front perspective view of a litter device for domestic animals;
FIG. 2 is a rear perspective view thereof;
FIG. 3 is a front view thereof;
FIG. 4 is a rear view of thereof;
FIG. 5 is a top view thereof;
FIG. 6 is a bottom view thereof;
FIG. 7 is a left side view thereof; and,
FIG. 8 is a right side view thereof.

(Continued)

(56) **References Cited**

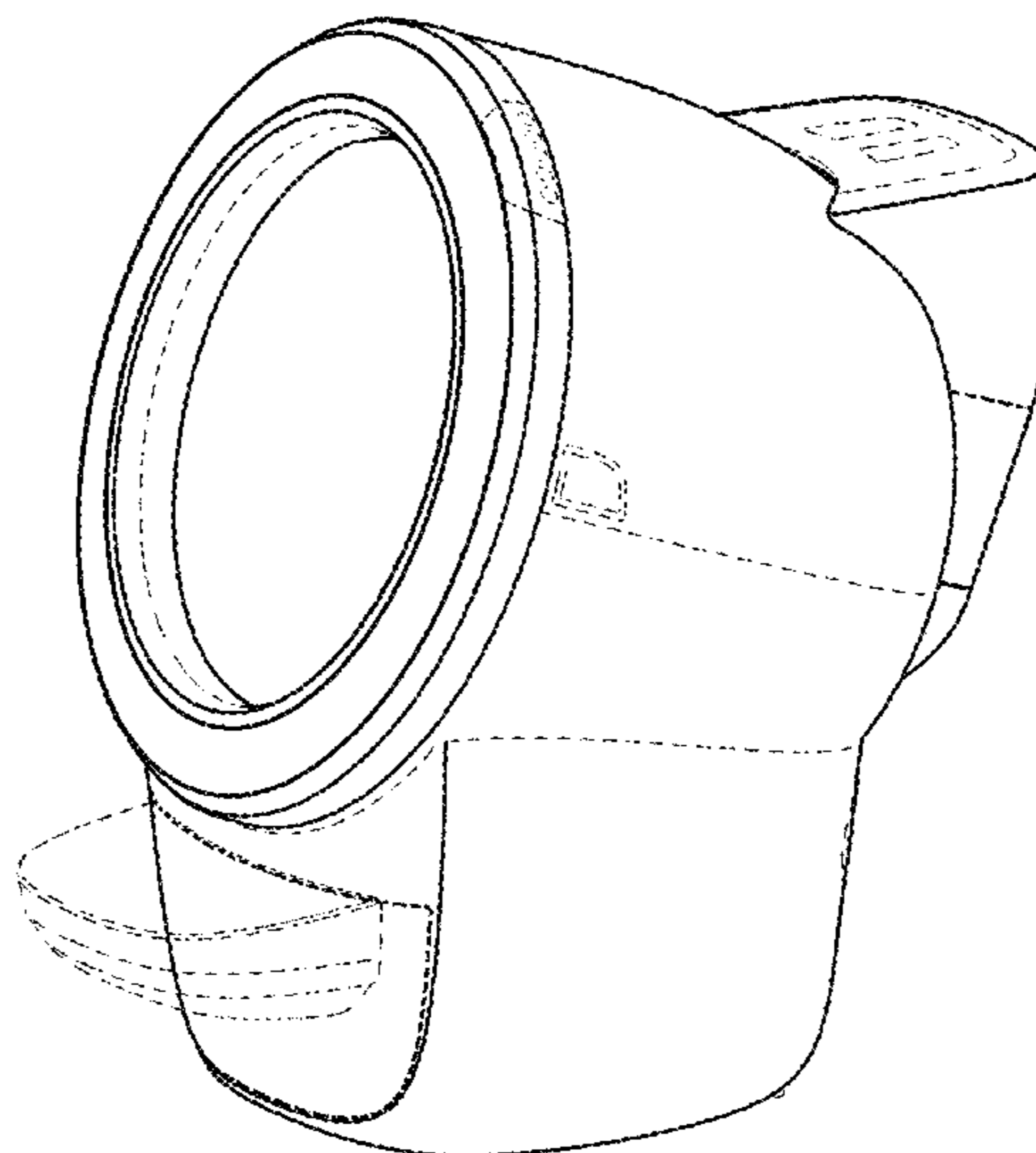
The broken lines in the figures illustrate portions of the litter device containing litter dispenser for domestic animals that form no part of the claimed design. Different thicknesses of the solid and broken lines are provided for clarity in features and does not carry additional meaning.

U.S. PATENT DOCUMENTS

D156,991 S * 1/1950 Perl D32/6
3,027,654 A * 4/1962 Kremer A45D 20/20
34/96

(Continued)

1 Claim, 8 Drawing Sheets



(58) **Field of Classification Search**

CPC 1/029; A01K 1/033; A01K 1/034; A01K
1/035; A01K 1/0035; A45D 20/44; A45D
20/46

See application file for complete search history.

(56) **References Cited**

U.S. PATENT DOCUMENTS

4,120,264 A 10/1978 Carter
5,107,797 A * 4/1992 LaRoche A01K 1/0114
209/296
5,458,090 A 10/1995 Favreau
5,662,066 A 9/1997 Reitz
6,126,015 A 10/2000 Haymaker
6,463,881 B2 * 10/2002 Reitz A01K 1/0114
119/170
7,017,519 B1 * 3/2006 Deasy A01K 1/011
119/166
D519,247 S * 4/2006 Kim D32/6
D537,577 S * 2/2007 Nam D32/6
7,647,889 B2 1/2010 Horanoff
D612,554 S * 3/2010 Seager D30/161
8,413,608 B2 * 4/2013 Sharp A01K 1/0107
119/166
D681,885 S * 5/2013 Pitter D30/129
8,485,131 B2 7/2013 Veness
D688,013 S * 8/2013 Kim D32/6
8,757,094 B2 * 6/2014 Baxter A01K 1/0114
119/168
D753,886 S * 4/2016 Veness D30/161
9,433,185 B2 9/2016 Baxter
9,504,228 B1 11/2016 Otic
9,565,830 B1 2/2017 Caico
D824,121 S * 7/2018 Luo D32/6
10,098,315 B2 * 10/2018 Couto A01K 1/0114
D898,304 S * 10/2020 Tu D30/161
D923,887 S * 6/2021 Wang D30/161
11,399,502 B2 * 8/2022 Baxter A01K 1/011
11,432,525 B2 * 9/2022 Ma A01K 1/0114
2002/0139312 A1 * 10/2002 Reitz A01K 1/0114
119/165
2013/0206075 A1 8/2013 Huck
2013/0333625 A1 * 12/2013 Baxter A01K 1/011
119/166
2018/0303057 A1 * 10/2018 Guoqiang A01K 1/0107
2019/0364840 A1 12/2019 Baxter
2020/0060221 A1 * 2/2020 Fan A01K 1/0114
2020/0245587 A1 * 8/2020 Leech A01K 1/011
2020/0281154 A1 * 9/2020 Li A01K 1/011
2022/0104452 A1 * 4/2022 Gong A01K 1/0114
2022/0125006 A1 * 4/2022 Smith A01K 1/0114
2022/0142114 A1 * 5/2022 Baxter A01K 1/0114

FOREIGN PATENT DOCUMENTS

CN 209518062 U 10/2019
CN 209732234 U 12/2019
CN 305532892 * 1/2020
CN 305762379 * 5/2020
CN 305999762 * 8/2020
EP 2676543 B1 12/2018
FR 2687285 A1 8/1993
FR 3070822 A1 3/2019
WO 98/01374 A2 1/1998
WO 02/054860 A1 7/2002
WO 2016/190765 A1 12/2016

OTHER PUBLICATIONS

Litter-Robot Automated Litter Box Testimonials_Why Customers Love Litter-Robot, announced in YouTube on Sep. 22, 2015 [online], [site visited May 6, 2022], Available from the internet URL: <https://www.youtube.com/watch?v=EOsMIIMRAQ8> (Year: 2015).*

Morus Zero-Ultrafast Countertop Tumble Dryer, announced in YouTube on Jun. 18, 2019 [online], [site visited May 9, 2022], Available from the internet URL: <https://www.youtube.com/watch?v=r063llmUXi8> (Year: 2019).*

Copending PCT Application No. PCT/US2020/029776 filed on Apr. 24, 2020.

Co-pending Design U.S. Appl. No. 29/749,988, filed Sep. 10, 2020.

Co-pending Design U.S. Appl. No. 29/755,931, filed Oct. 23, 2020.

Co-pending Design U.S. Appl. No. 29/755,935, filed Oct. 23, 2020.

International Search Report and Written Opinion, dated Sep. 30, 2020, PCT Application No. PCT/US2020/029776.

Aimicat available at <https://aimicat.com/>. As accessed on Sep. 9, 2020.

Catgloo available at <http://pethealthintec.com/>. As accessed on Sep. 9, 2020.

Catlink available at <https://en.xiaomitoday.it/catlink-automatic-litter-box-youth.html>. As accessed on Sep. 9, 2020.

Circle Zero available at <https://plutocirclezero.com/>. As accessed on Sep. 9, 2020.

Igloo available at https://www.indiegogo.com/projects/igloo-reinvent-affordable-auto-cat-litter-box#. As accessed on Sep. 9, 2020.

MEET available at <https://www.slashpets.com/robotic-cat-iitter-box/>. As Accessed on Sep. 9, 2020.

Petato Footloose available at <https://www.kickstarter.com/projects/petato/footloose-next-gen-automatic-and-health-tracking-c>. As accessed on Sep. 9, 2020.

Petree available at <https://petreelitterboxes.com/>. As accessed on Sep. 9, 2020.

* cited by examiner

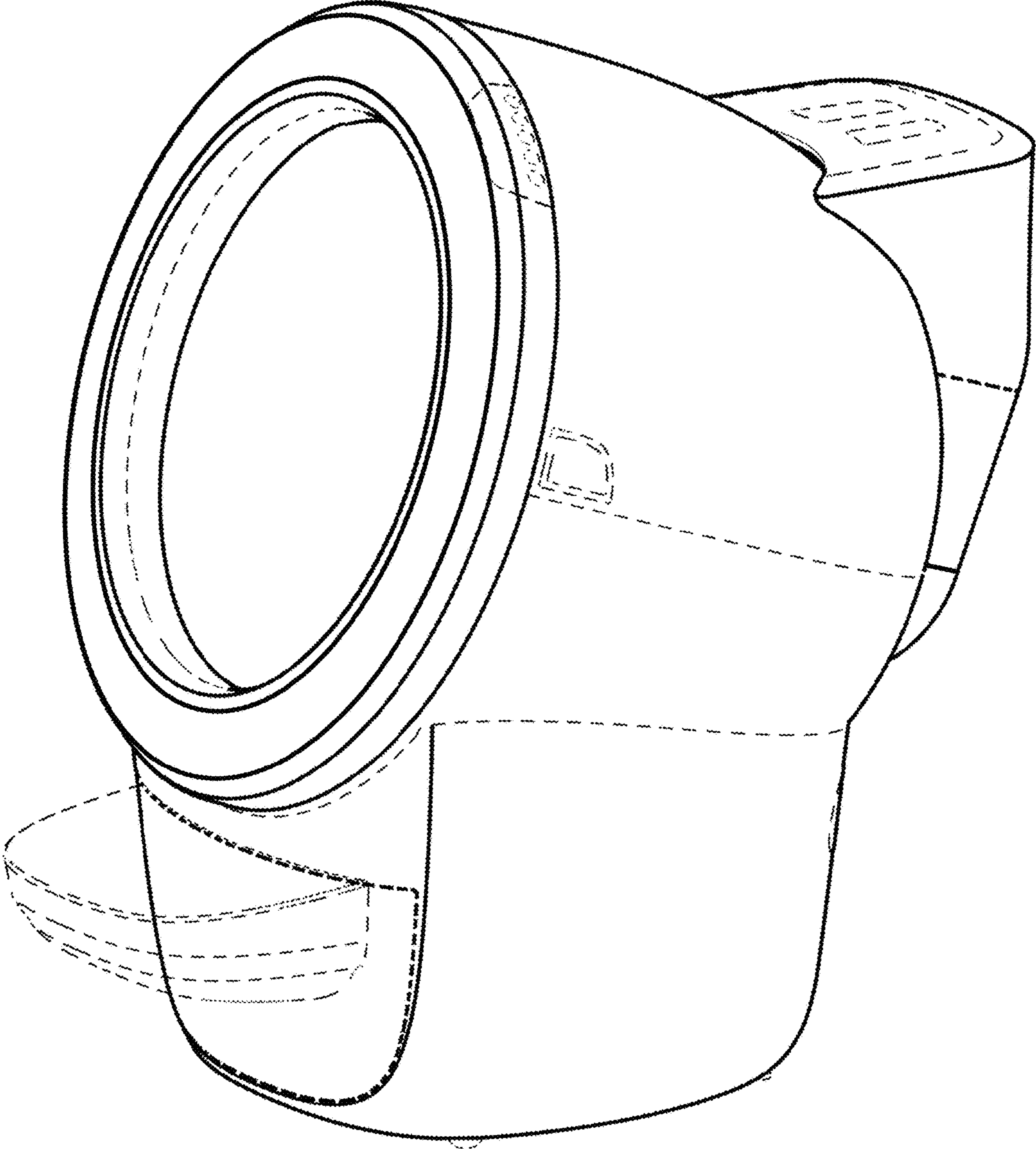


FIG.-1

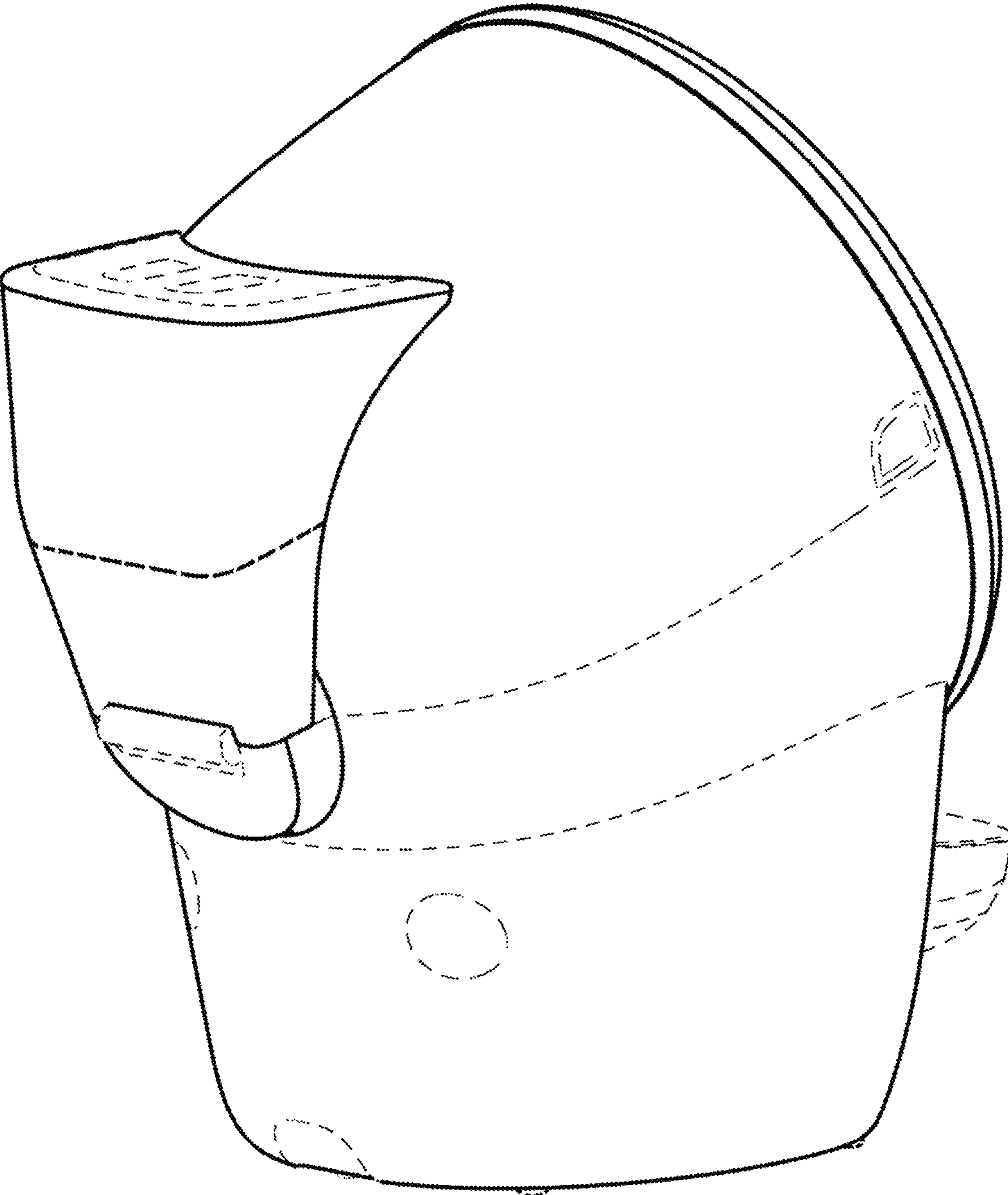


FIG.-2

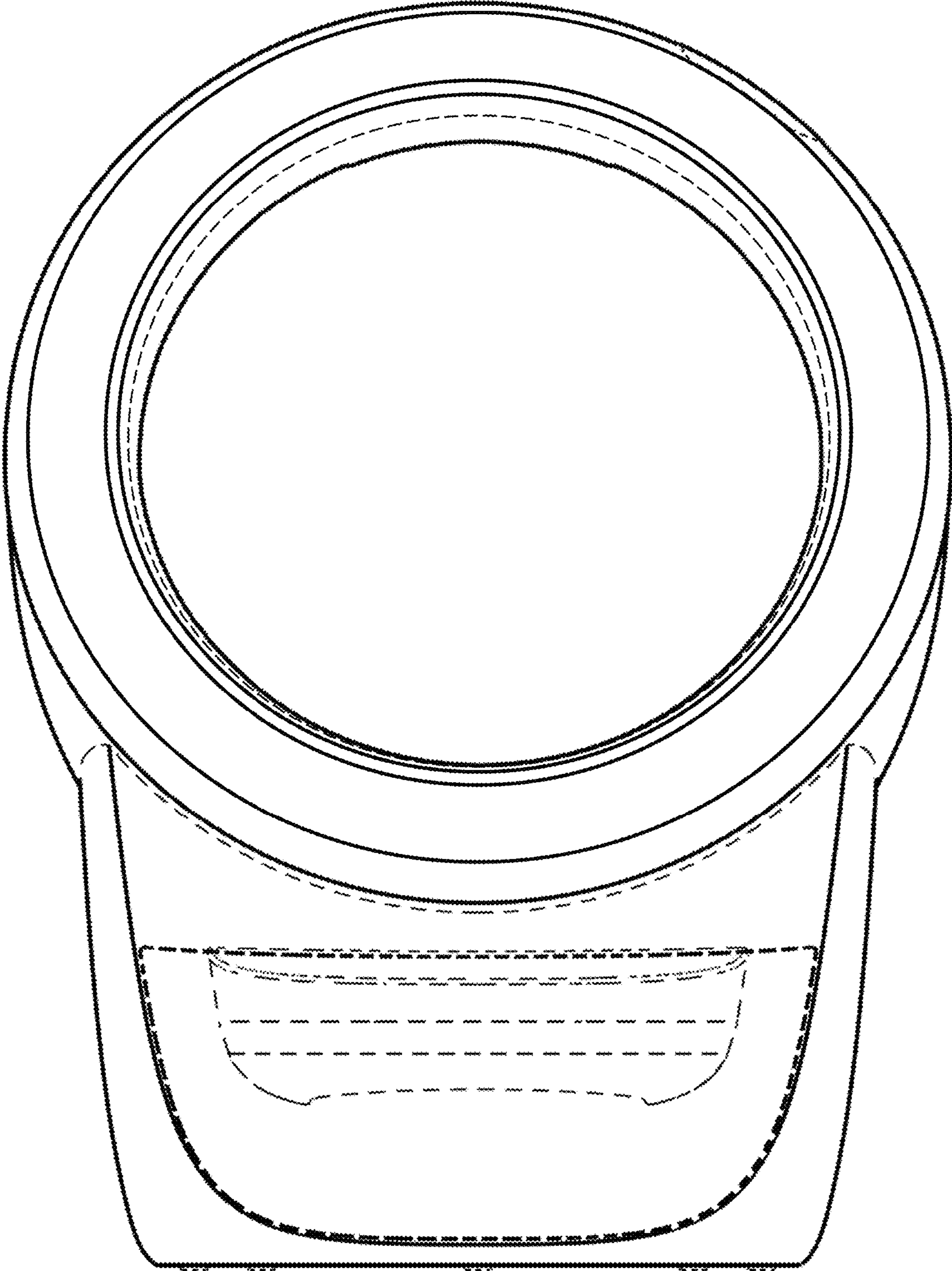


FIG.-3

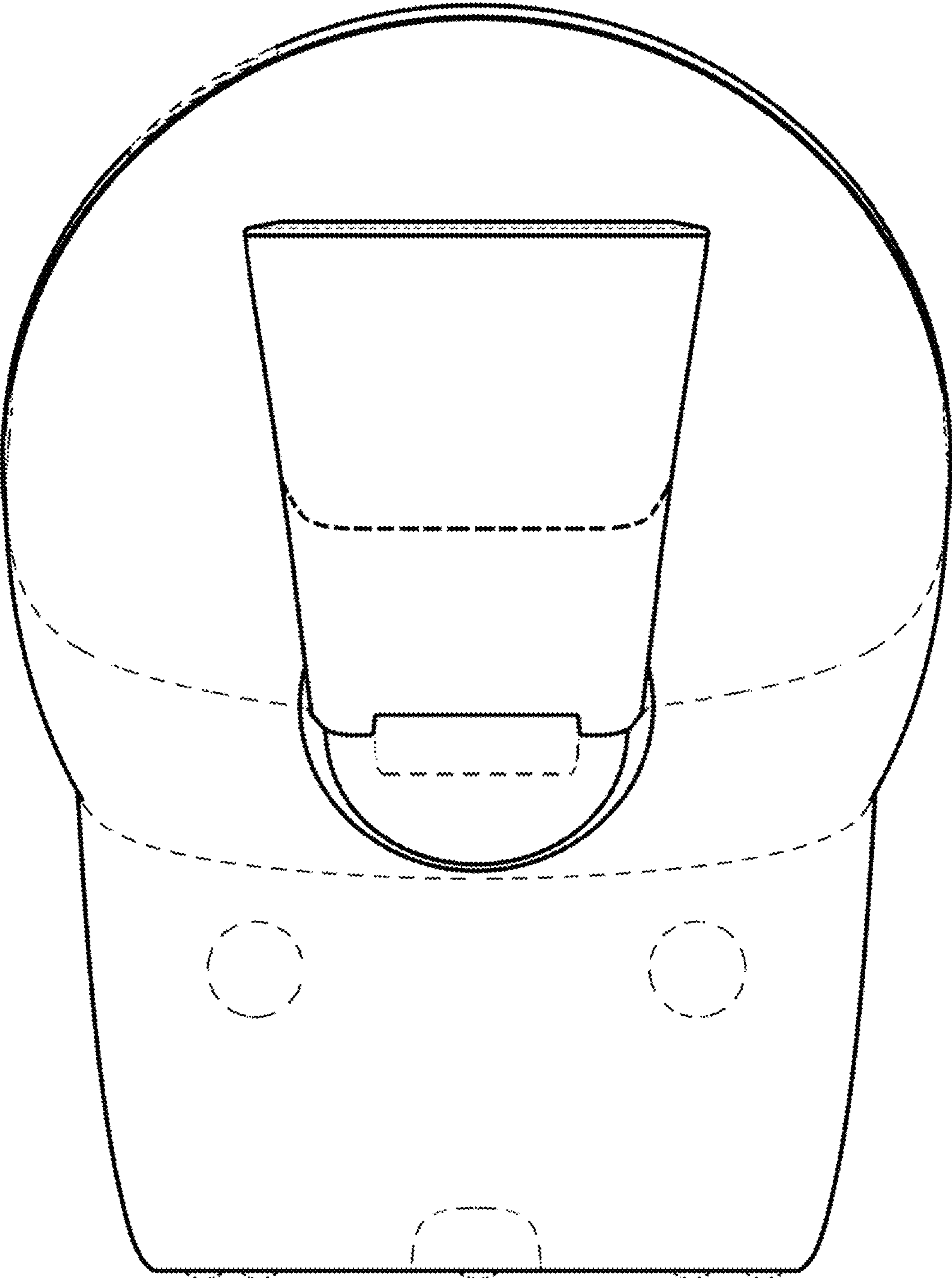


FIG.-4

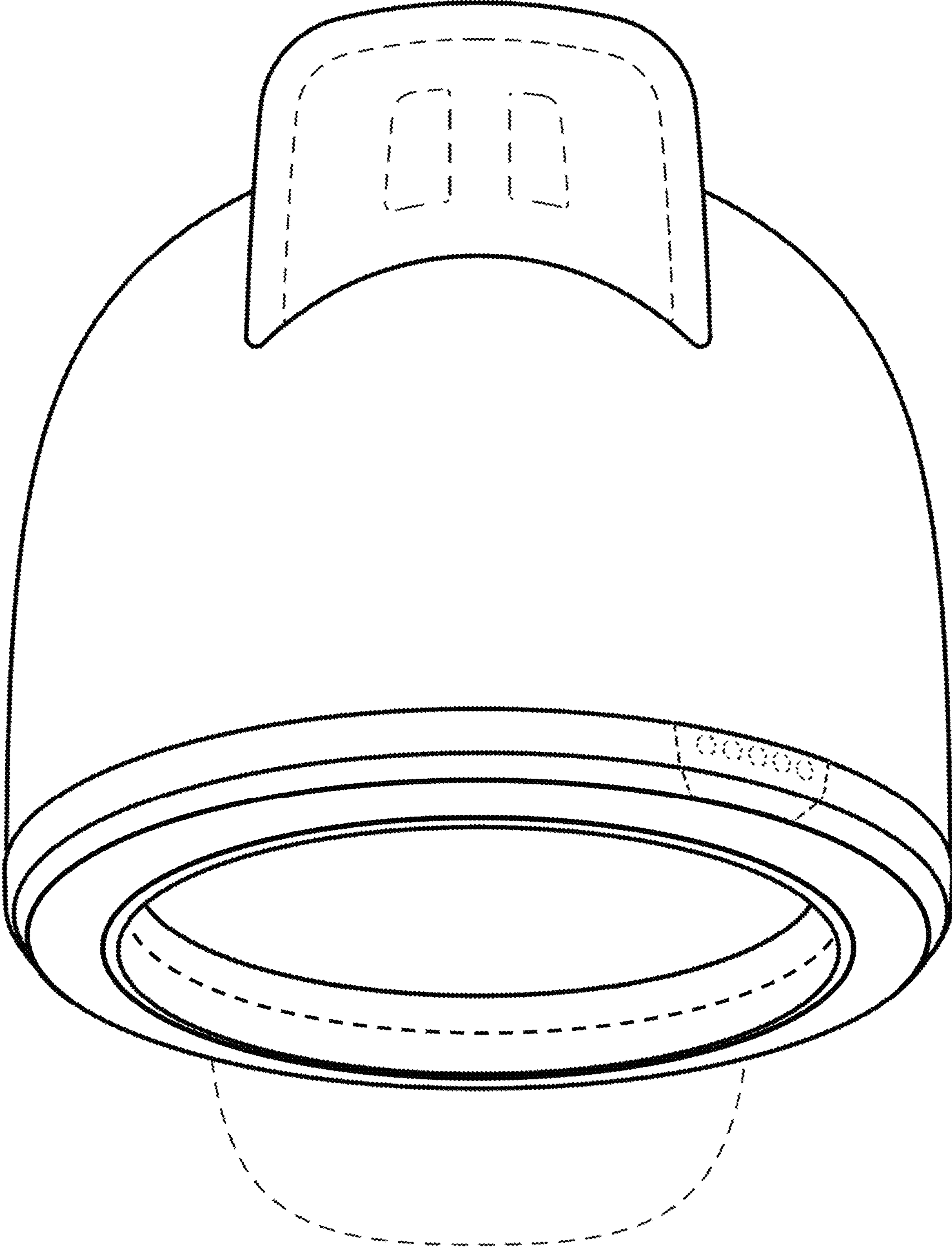


FIG.-5

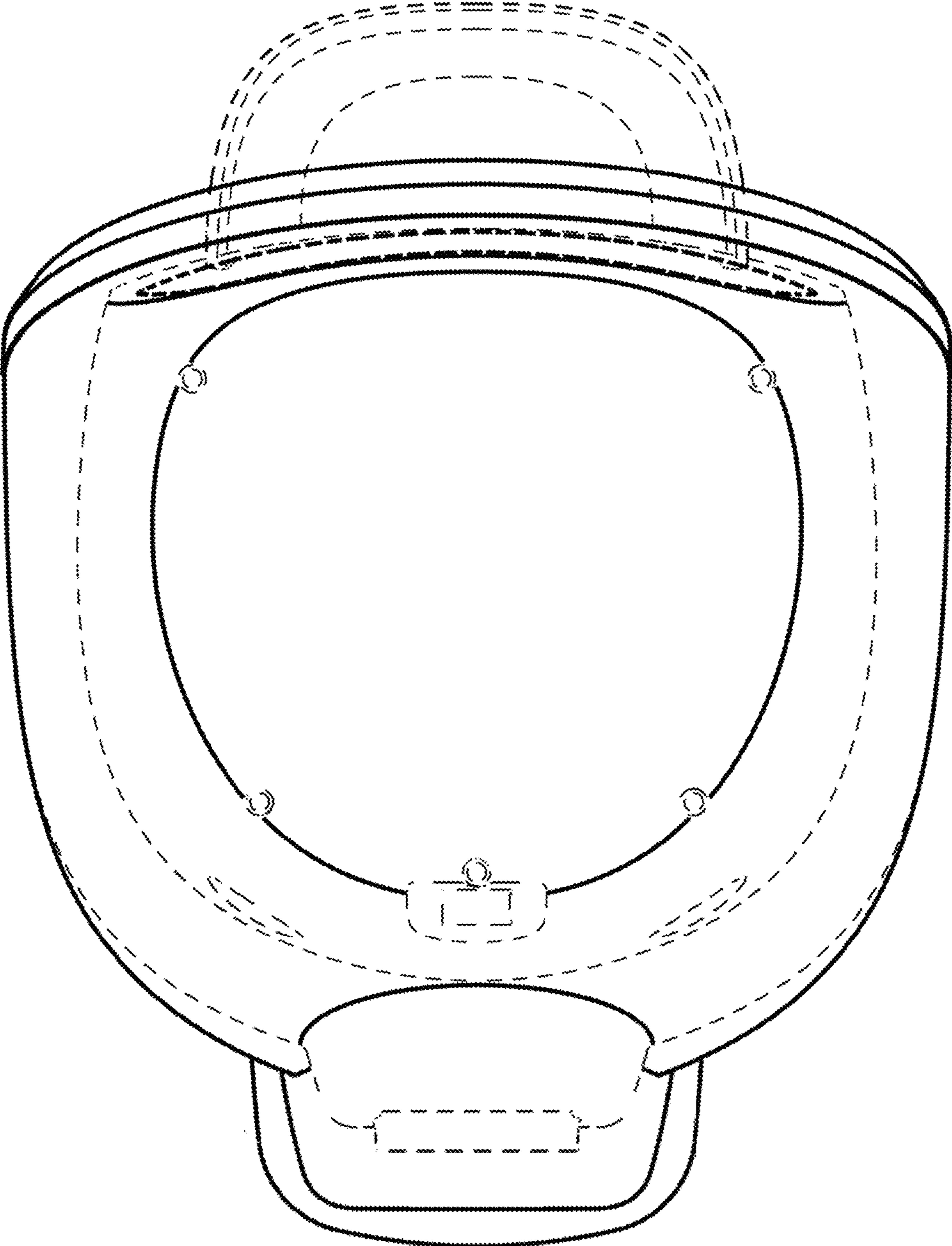


FIG.-6

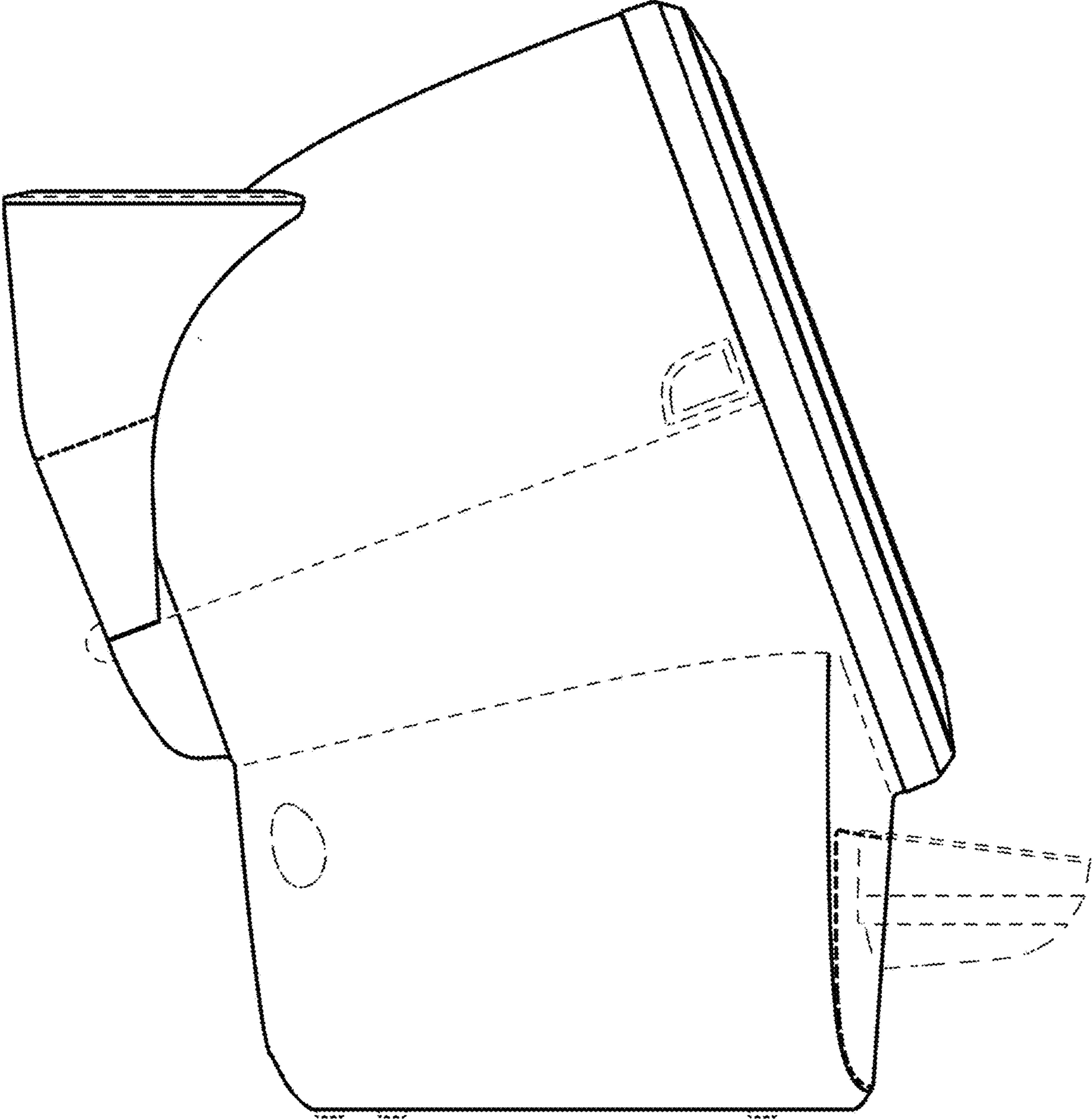


FIG.-7

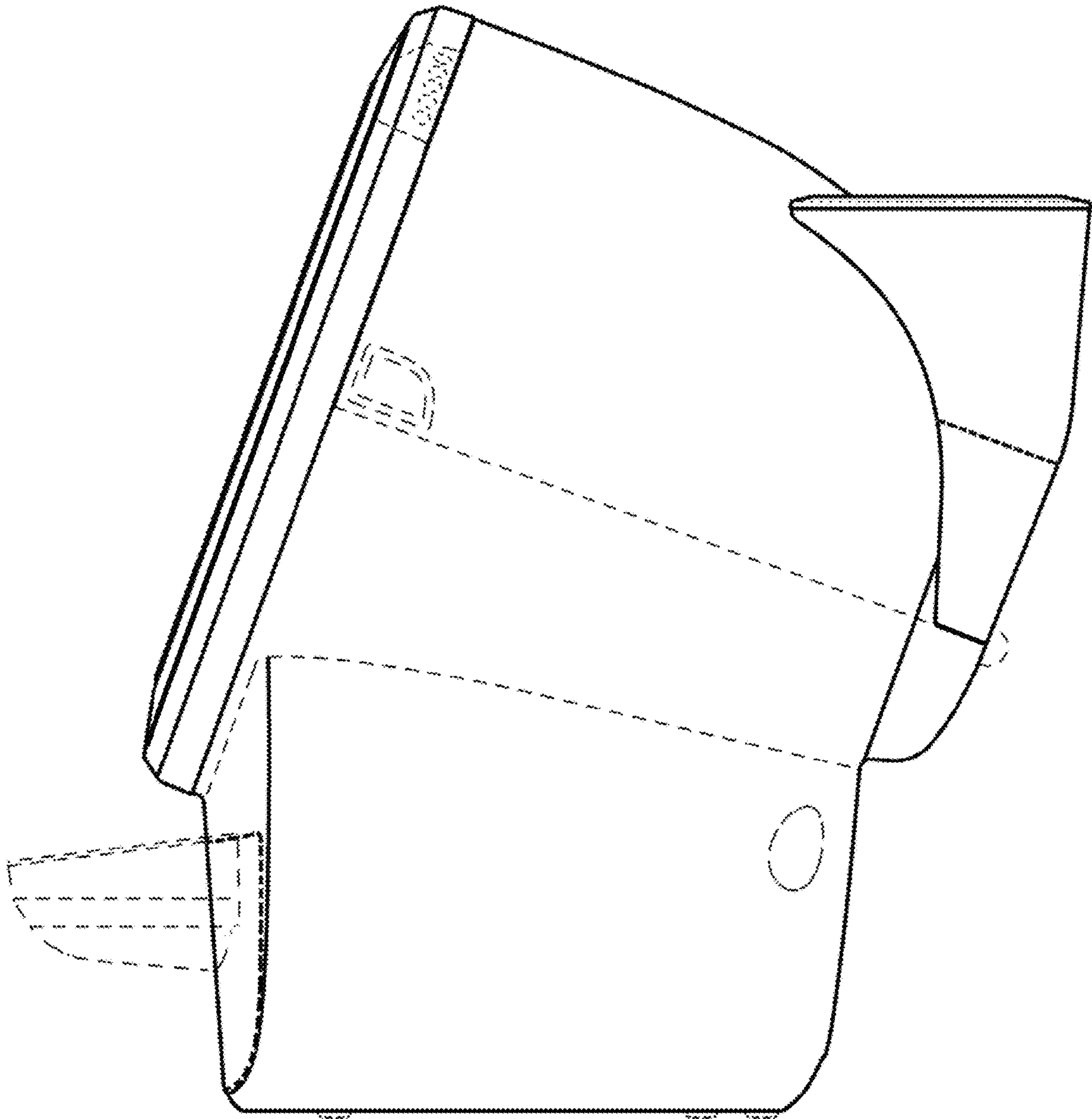


FIG.-8