



US00D977206S

(12) **United States Design Patent** (10) **Patent No.:** **US D977,206 S**
Gong (45) **Date of Patent:** **** Jan. 31, 2023**

(54) **PET COMB**
(71) Applicant: **Xiaoyi Intelligent Technology**
Yangzhou Co., Ltd., Yangzhou (CN)
(72) Inventor: **Yuan Gong, Yangzhou (CN)**
(73) Assignee: **Xiaoyi Intelligent Technology**
Yangzhou Co., Ltd., Yangzhou (CN)

5,462,018 A * 10/1995 Louison A01K 13/001
119/626
D444,925 S * 7/2001 Monette D32/33
D547,068 S * 7/2007 Major D32/33
D884,293 S 5/2020 Yan et al.
D884,989 S 5/2020 Yan et al.
D921,366 S * 6/2021 He D4/102
D929,133 S * 8/2021 He D4/128
D939,215 S * 12/2021 He D4/102

(*) Notice: Patent file contains an affidavit/declaration under 37 CFR 1.130(b).

(**) Term: **15 Years**

(21) Appl. No.: **29/794,008**

(22) Filed: **Jun. 9, 2021**

(30) **Foreign Application Priority Data**

Apr. 14, 2021 (CN) 202130211695.9

(51) **LOC (14) Cl.** **30-99**

(52) **U.S. Cl.**
USPC **D30/159**

(58) **Field of Classification Search**
USPC D30/158, 159, 160, 199; 119/600,
119/611-620, 625, 702, 703, 704, 707,
119/708, 709; D4/102, 114, 115, 136;
D24/215; D32/33
CPC .. A01K 15/027; A01K 15/025; A01K 13/002;
A45D 24/10; A45D 24/18; A45D 24/20;
A45D 24/16; A45D 24/00; A45D 24/02;
A45D 24/04

See application file for complete search history.

(56) **References Cited**

U.S. PATENT DOCUMENTS

712,530 A * 11/1902 Herfert A01K 13/002
119/632
D357,810 S * 5/1995 Evans D4/114

OTHER PUBLICATIONS

“IsYoung 3 in 1 Dog Grooming Brush” available Dec. 4, 2020, [online], [site visited Mar. 21, 2022]. Retrieved from Internet, URL:https://www.amazon.com/isYoung-Grooming-Professional-Deshedding-Long-haired/dp/B08PPMD77W/ref=sr_1_198 (Year: 2020).*

“Dog Grooming Brush Kit” available Apr. 2, 2021, [online], [site visited Mar. 21, 2022]. Retrieved from Internet, URL:https://www.amazon.com/CIICII-Professional-Grooming-Shedding-Dematting/dp/B08SVV9X94/ref=sr_1_56 (Year: 2021).*

(Continued)

Primary Examiner — Katrina N Gonzalez

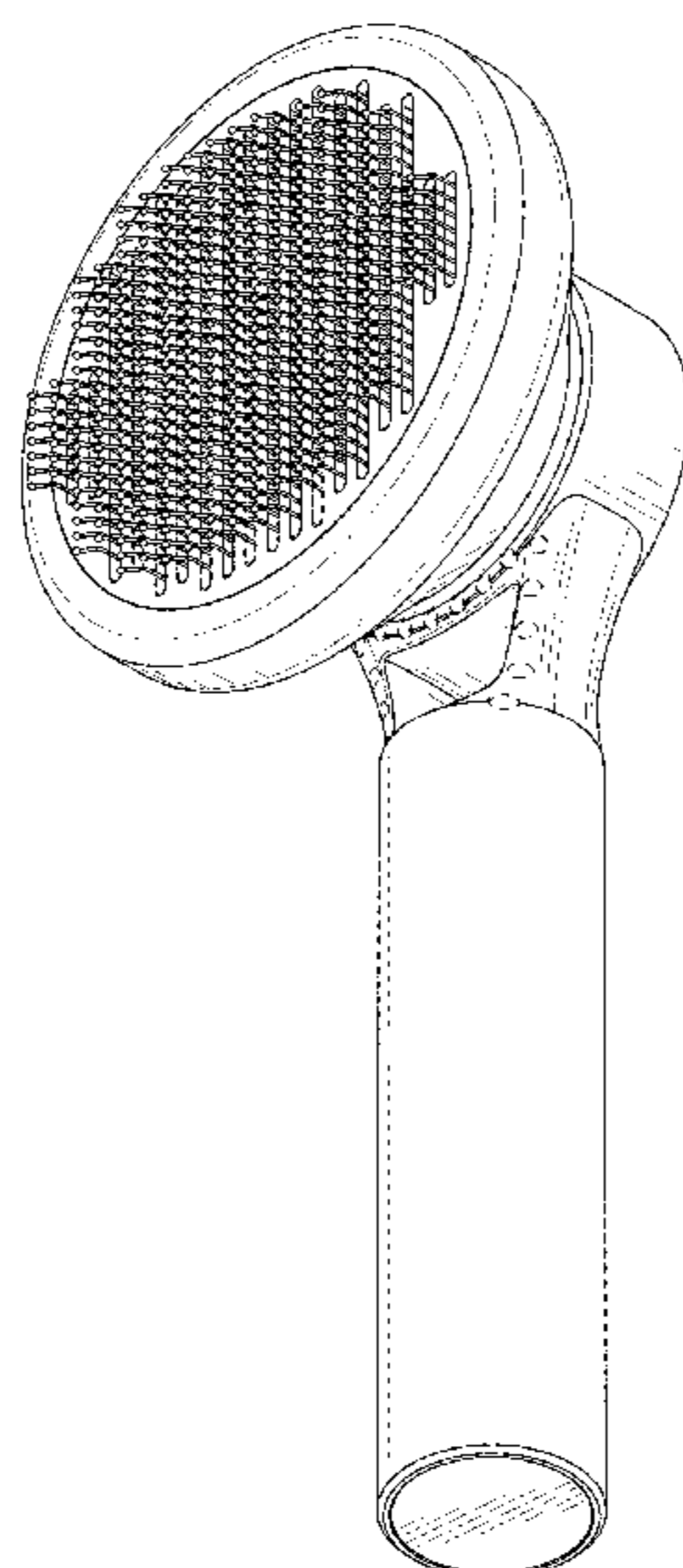
(57) **CLAIM**

The ornamental design for a pet comb, as shown and described.

DESCRIPTION

FIG. 1 is a front, right and bottom perspective view of a pet comb showing my new design;
FIG. 2 is a top, left and rear perspective view thereof;
FIG. 3 is a front view thereof;
FIG. 4 is a rear view thereof;
FIG. 5 is a left side view thereof;
FIG. 6 is a right side view thereof;
FIG. 7 is a top plan view thereof; and,
FIG. 8 is a bottom plan view thereof.
The broken lines in the figures illustrate portions of the pet comb that form no part of the claimed design.

1 Claim, 8 Drawing Sheets



(56)

References Cited

OTHER PUBLICATIONS

“Shedding Comb Portable Slicker Brush For Cat” available Mar. 21, 2022, [online], [site visited Mar. 21, 2022]. Retrieved from Internet, URL: <https://www.petkitshop.com/products/shedding-comb-portable-slicker-brush-for-cat> (Year: 2022).*

“Pet Brush Self Cleaning Grooming Brush” available Mar. 21, 2022, [online], [site visited Mar. 21, 2022]. Retrieved from Internet, URL: https://www.amazon.com/Cleaning-Grooming-Slicker-Shedding-Undercoat/dp/B09V7XV53G/ref=sr_1_69_sspa (Year: 2022).*

“SimpleDot Self Cleaning Slicker Brush” available Apr. 28, 2021, [online], [site visited Mar. 21, 2022]. Retrieved from Internet, URL: https://www.amazon.com/SimpleDot-Cleaning-Grooming-Undercoat-Massages/product-reviews/B0915LLK4C/ref=cm_cr_arp_d_viewopt_srt (Year: 2021).*

“Strong Wind Self Cleaning Pet Grooming Brush” available Aug. 27, 2021, [online], [site visited Mar. 31, 2022]. Retrieved from Internet, URL: https://www.amazon.com/Strong-Wind-Cleaning-Deshedding-Effectively/dp/B09DSWK4VN/ref=sr_1_129 (Year: 2021).*

“Ameagry Professional Cat Dog Brush” available Sep. 24, 2021, [online], [site visited Mar. 21, 2022]. Retrieved from Internet, URL: https://www.amazon.com/Ameagry-Professional-One-button-Detangling-Deshedding/dp/B09928VSTB/ref=sr_1_155 (Year: 2021).*

* cited by examiner

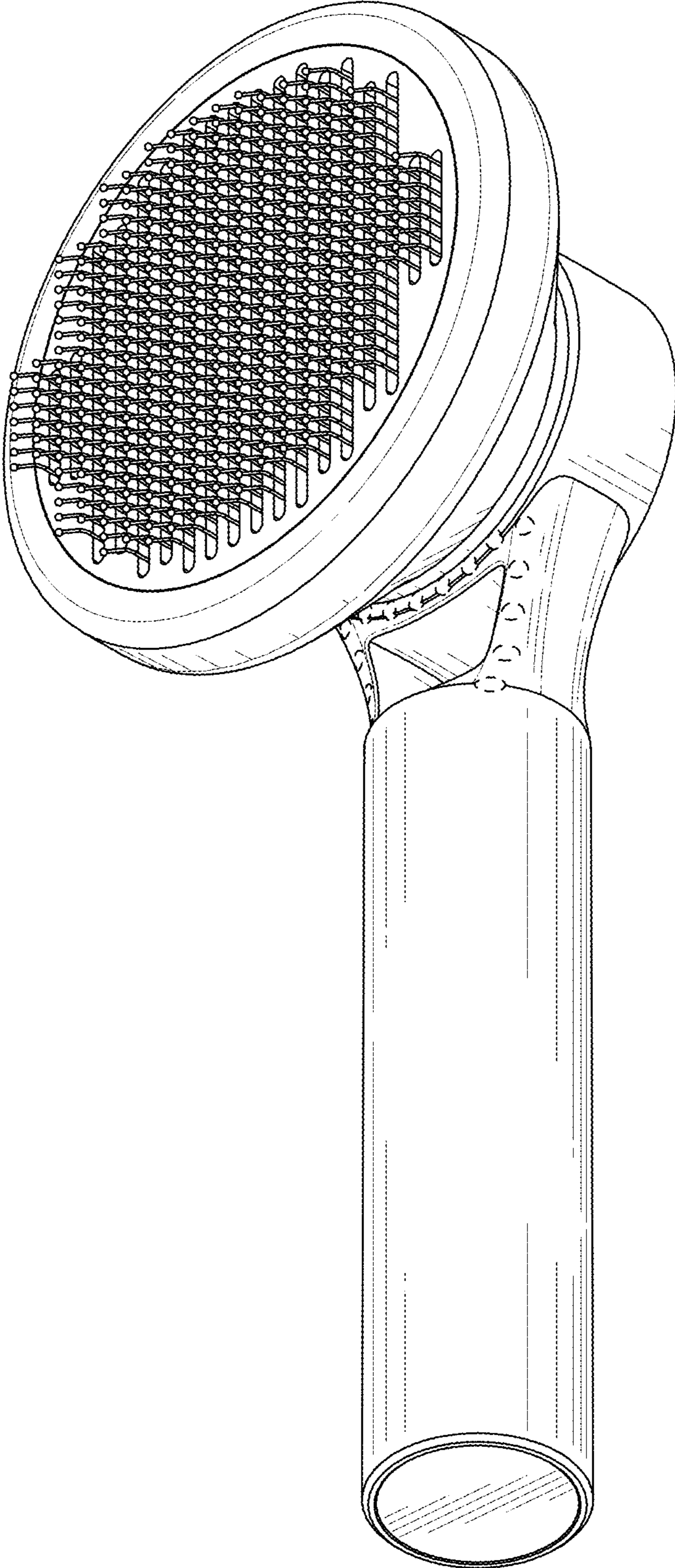


FIG. 1

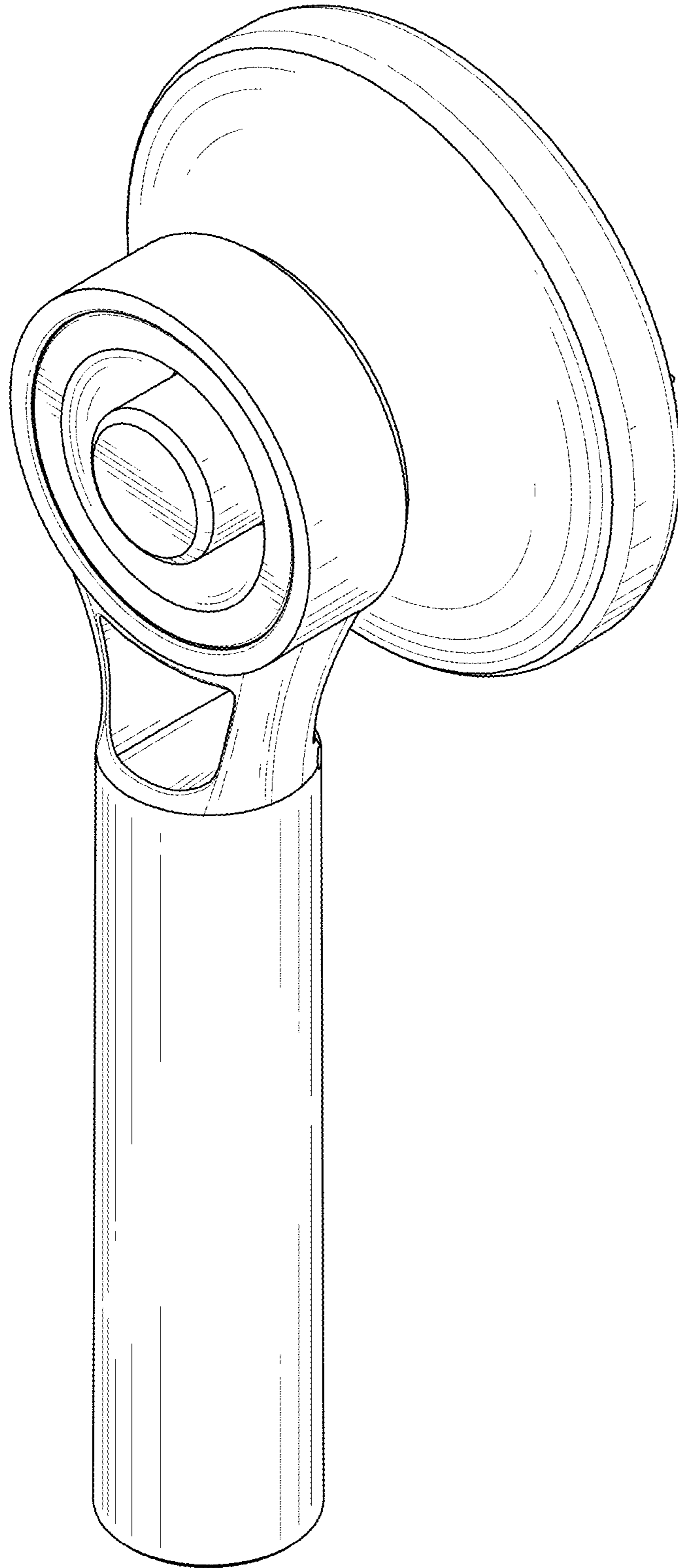


FIG. 2

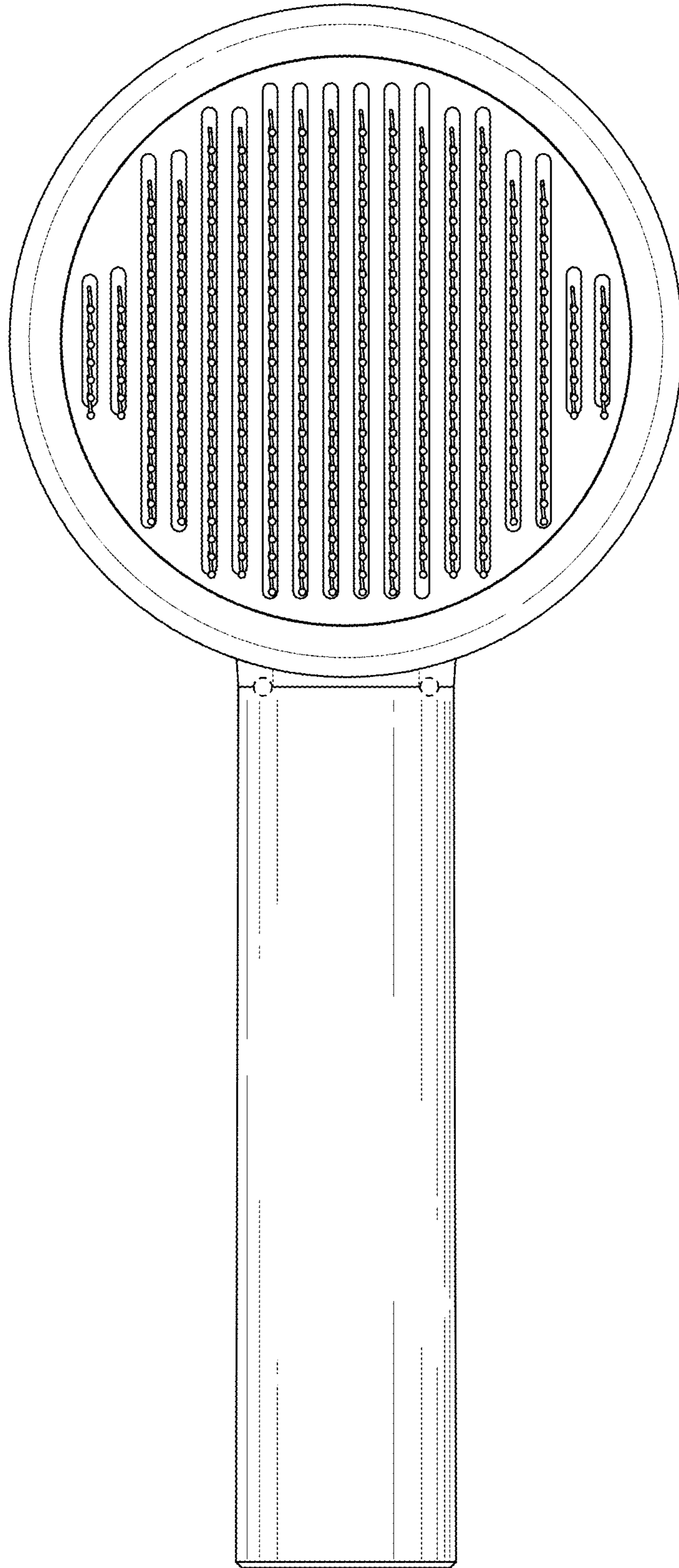


FIG. 3

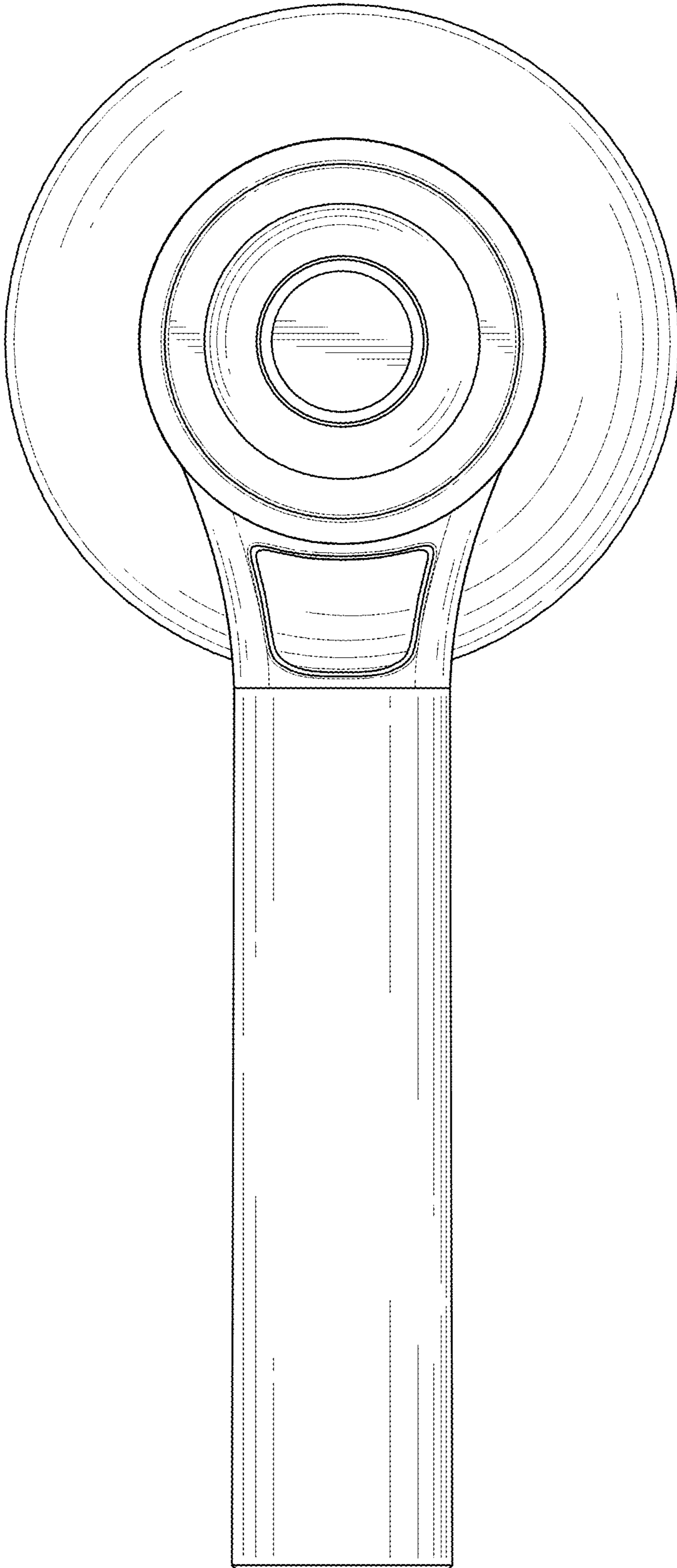


FIG. 4

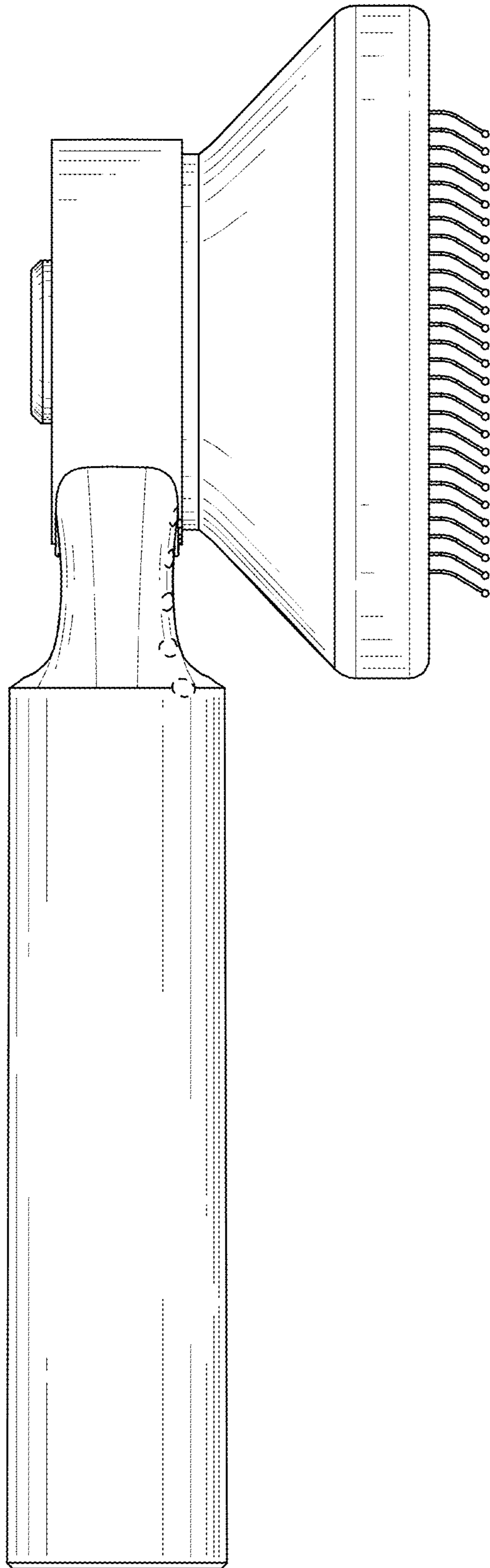


FIG. 5

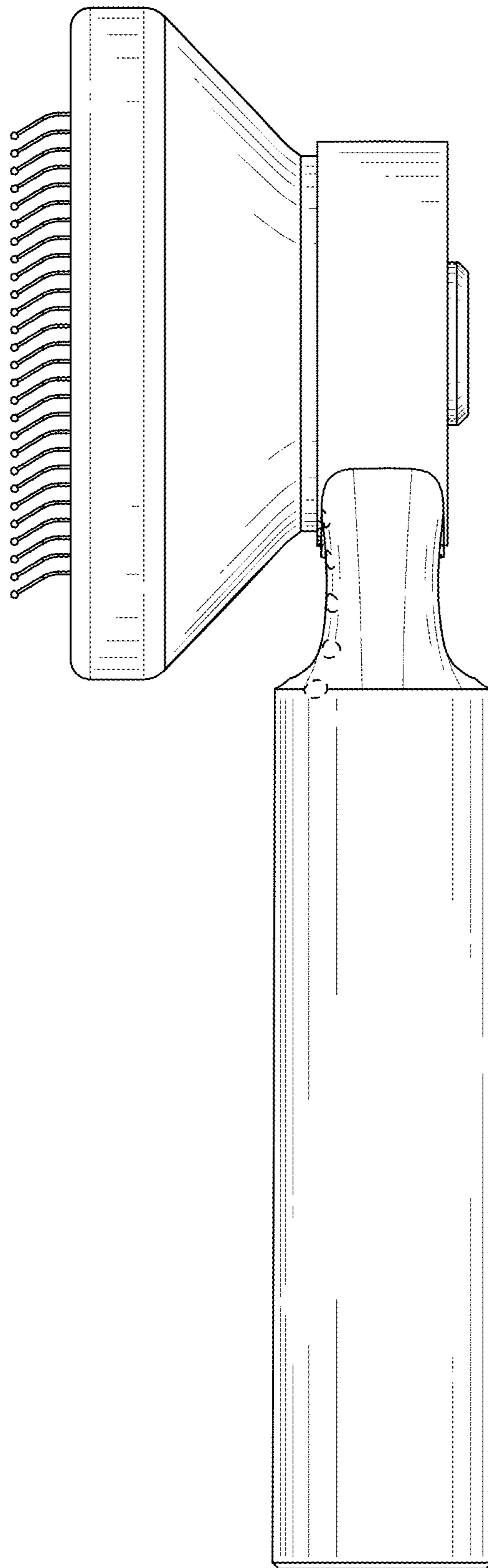


FIG. 6

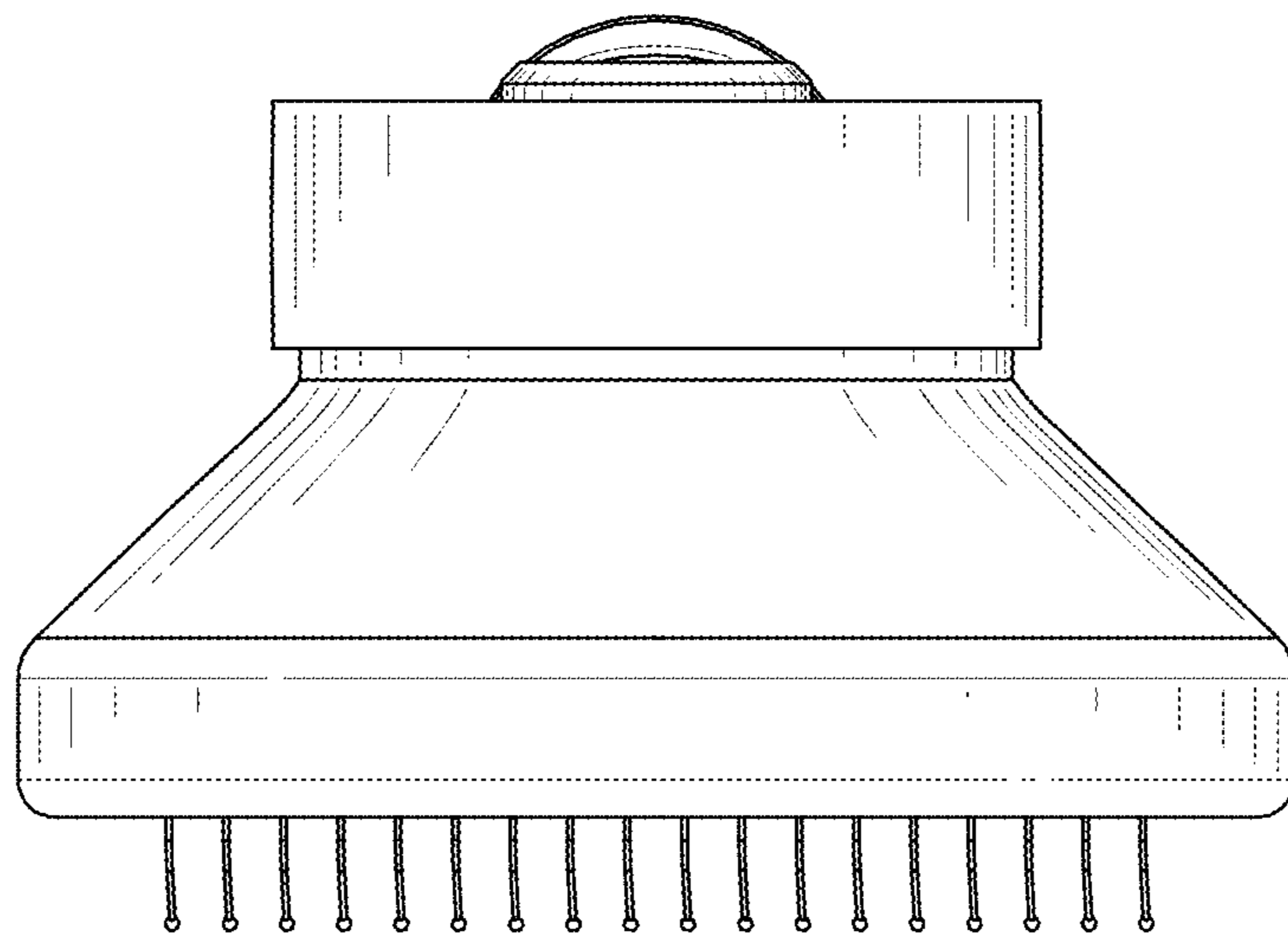


FIG. 7

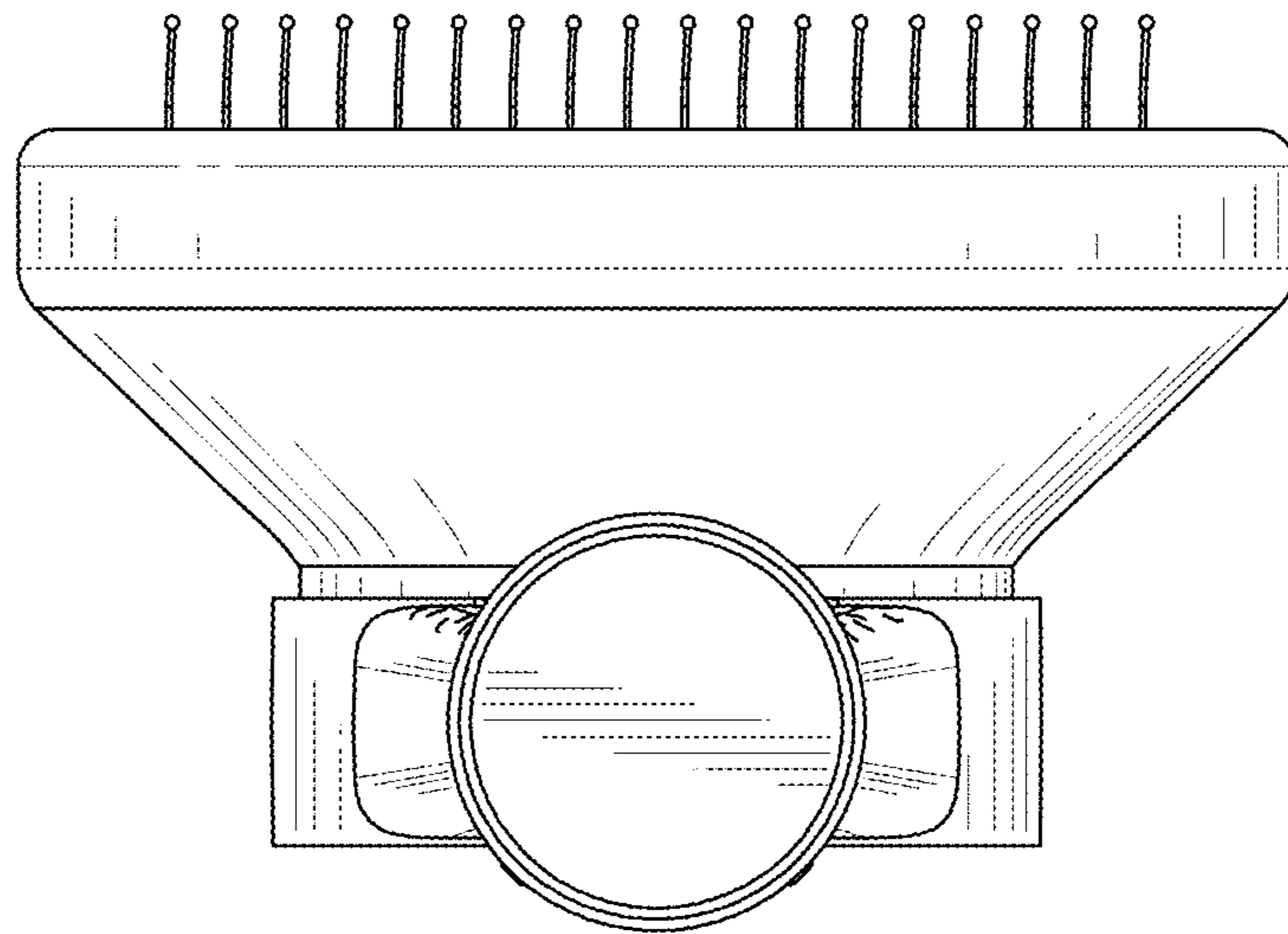


FIG. 8