



US00D977205S

(12) **United States Design Patent**
Xu

(10) **Patent No.:** **US D977,205 S**
(45) **Date of Patent:** **** Jan. 31, 2023**

- (54) **DOG COLLAR**
- (71) Applicant: **Guangsong Xu**, Guangdong (CN)
- (72) Inventor: **Guangsong Xu**, Guangdong (CN)
- (*) Notice: Patent file contains an affidavit/declaration under 37 CFR 1.130(b).
- (**) Term: **15 Years**
- (21) Appl. No.: **29/838,937**
- (22) Filed: **May 17, 2022**
- (51) **LOC (14) Cl.** **30-04**
- (52) **U.S. Cl.**
USPC **D30/152**
- (58) **Field of Classification Search**
USPC D30/36-37, 144-145, 151-155, 199,
D30/136-137; D29/100, 101.2; D6/601,
D6/604; 119/815
CPC A01K 27/00; A01K 27/001; A01K 27/002;
A01K 27/006; A01K 15/04
See application file for complete search history.

(56) **References Cited**

U.S. PATENT DOCUMENTS

- 1,385,581 A * 7/1921 Pallady B63C 9/155
441/123
- 1,986,697 A * 1/1935 Wilson A47C 27/081
128/889
- 2,210,809 A * 8/1940 Gray B63C 9/24
441/123
- 2,890,467 A * 6/1959 Cowell B63C 9/155
441/123
- 2,937,387 A * 5/1960 Boynton, Jr. B63C 9/155
D30/144
- 3,048,860 A * 8/1962 Eava B63C 9/155
5/636
- D255,966 S * 7/1980 Stadel D21/805
- 4,413,588 A * 11/1983 Lindholm A01K 15/04
119/863

- 4,476,814 A * 10/1984 Miller A61D 9/00
119/815
- 4,800,871 A * 1/1989 Florjancic A61H 1/0218
602/18
- D386,348 S * 11/1997 Weidman D6/601
(Continued)

OTHER PUBLICATIONS

Zeaxuie Enhanced Anti-Licking Soft Inflatable Dog Cone Collar, dated to Jul. 10, 2021, amazon.com [online]. Retrieved Jul. 29, 2022 from internet <URL:https://www.amazon.com/Zeaxuie-Inflatable-Enhanced-Anti-Licking-Unrestricted/dp/B0991VVZT4/> (Year: 2021).*
(Continued)

Primary Examiner — Andrew T Nemeth

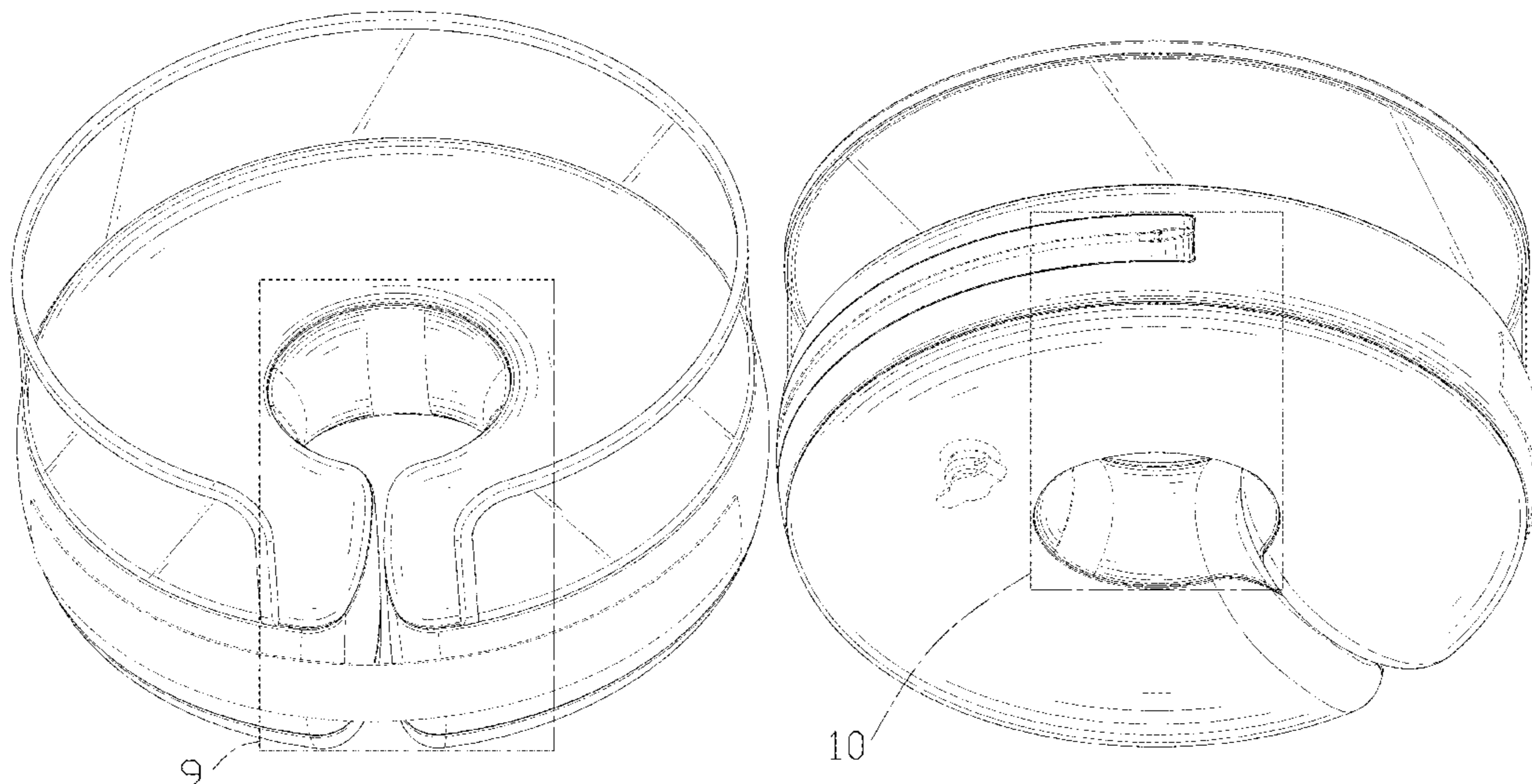
(57) **CLAIM**

The ornamental design for a dog collar, as shown and described.

DESCRIPTION

FIG. 1 is a front and top perspective view of a dog collar, showing my new design;
FIG. 2 is a rear and bottom perspective view thereof;
FIG. 3 is a front elevation view thereof;
FIG. 4 is a rear elevation view thereof;
FIG. 5 is a left side elevation view thereof;
FIG. 6 is a right side elevation view thereof;
FIG. 7 is a top plan view thereof;
FIG. 8 is a bottom plan view thereof;
FIG. 9 is an enlarged view of a portion indicated with numeric 9 in FIG. 1; and,
FIG. 10 is an enlarged view of a portion indicated with numeric 10 in FIG. 2.
The broken lines in the figures illustrate portions of the dog collar that form no part of the claimed design. The dash dot dash lines in FIGS. 1, 2, 9 and 10 are for the purpose of depicting the boundary lines of the enlarged views and form no part of the claimed design.

1 Claim, 10 Drawing Sheets



(56)

References Cited

U.S. PATENT DOCUMENTS

D412,082 S * 7/1999 Goodrich D6/601
 D429,592 S * 8/2000 Dohan D6/601
 D550,495 S * 9/2007 Boutin D6/601
 7,290,303 B2 * 11/2007 Mead A47D 13/08
 5/643
 7,404,222 B2 * 7/2008 Tidwell A47D 13/08
 5/655
 D592,363 S * 5/2009 Price D30/152
 D604,438 S * 11/2009 Thomson D6/601
 D624,250 S * 9/2010 Hamilton D30/152
 D668,004 S * 9/2012 Price D30/152
 8,881,687 B2 * 11/2014 Colangelo A01K 13/007
 119/815
 D821,989 S * 7/2018 Sung D13/199
 D821,992 S * 7/2018 Sung D13/199
 D862,120 S * 10/2019 Clute D6/604
 10,633,065 B2 * 4/2020 Chiu A63B 31/00
 D887,651 S 6/2020 Durrant
 D901,943 S * 11/2020 Abraham D6/601
 D955,066 S * 6/2022 Miller D30/152
 D968,037 S * 10/2022 Xie D30/152
 2003/0037735 A1 * 2/2003 Albers A61D 9/00
 119/863

2003/0150401 A1 * 8/2003 Schmid A01K 13/006
 119/815
 2007/0181080 A1 * 8/2007 Gibson A01K 27/001
 119/815
 2007/0271703 A1 * 11/2007 Matthews Brown .. A47D 13/08
 5/636
 2009/0107419 A1 * 4/2009 Davis A01K 13/006
 119/815
 2017/0099808 A1 * 4/2017 Garfinkel A01K 13/006

OTHER PUBLICATIONS

BENCMATE Protective Inflatable Collar for Dogs and Cats, dated to Apr. 27, 2017, amazon.com [online]. Retrieved Jul. 29, 2022 from internet <URL:https://www.amazon.com/Protective-Inflatable-Collar-Dogs-Collar/dp/B0725C3RJX/> (Year: 2017).*
 Guangsong Xu and Dog Collar https://www.amazon.com/Zeaxuie-Inflatable-Enhanced-Anti-Licking-Unrestricted/dp/B0991H8GST https://www.amazon.com/sp?ie=UTF8&seller=AETKB92VVB0ST&isAmazonFulfilled=1.
 https://www.amazon.com/Zeaxuie-Inflatable-Enhanced-Anti-Licking-Unrestricted/dp/B0991H8GST.
 https://www.amazon.com/sp?ie=UTF8&seller=AETKB92VVB0ST&isAmazonFulfilled=1.

* cited by examiner

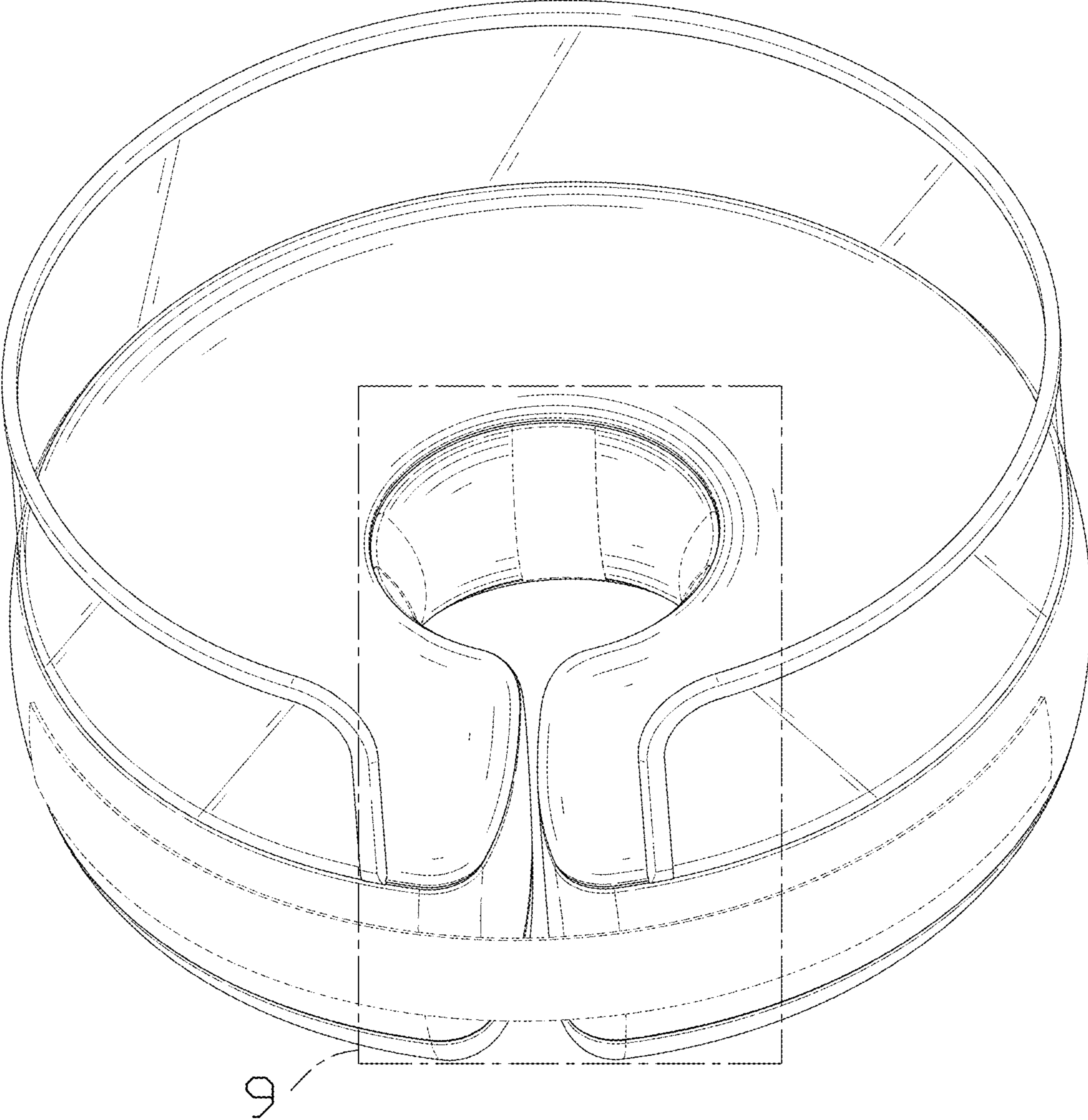


FIG. 1

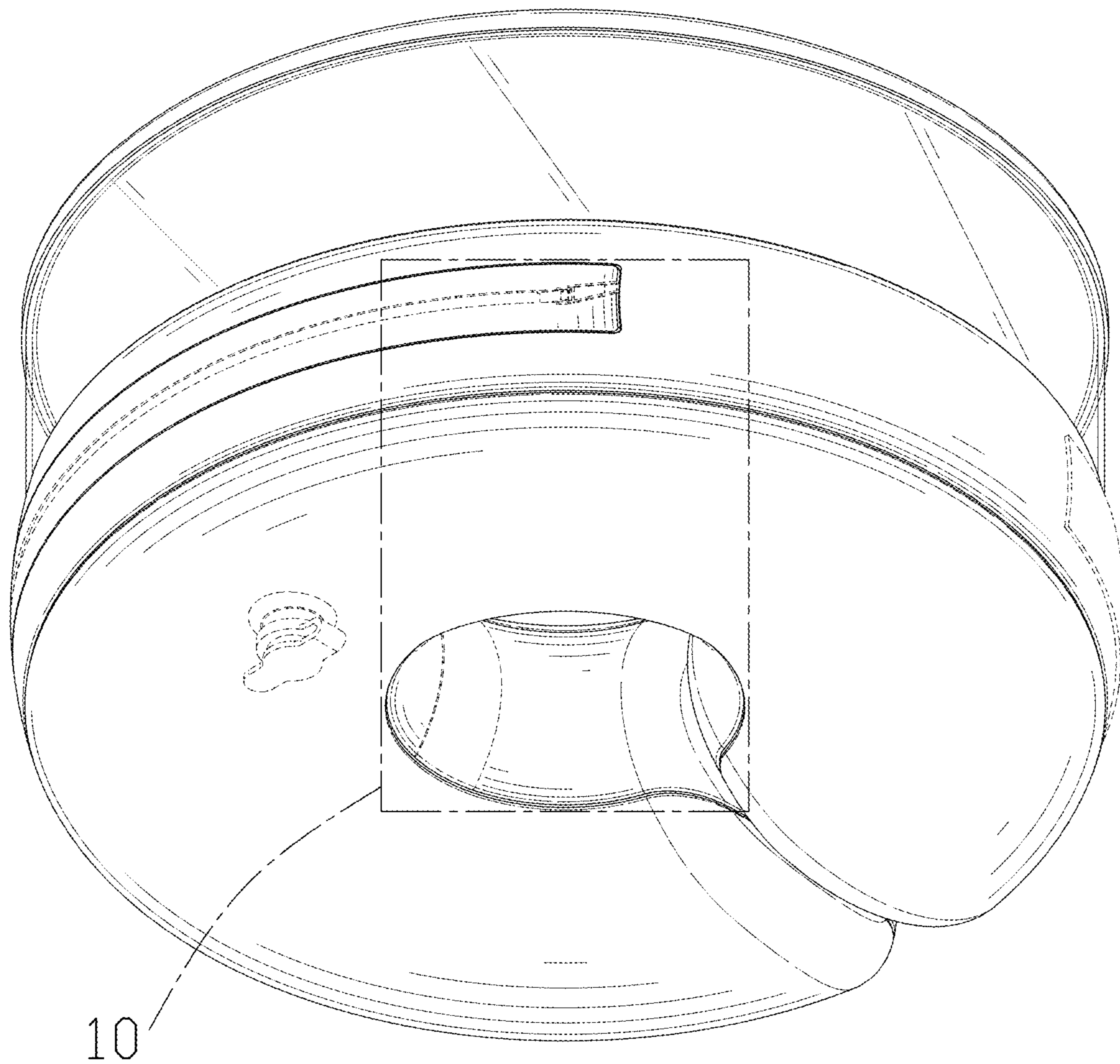


FIG. 2

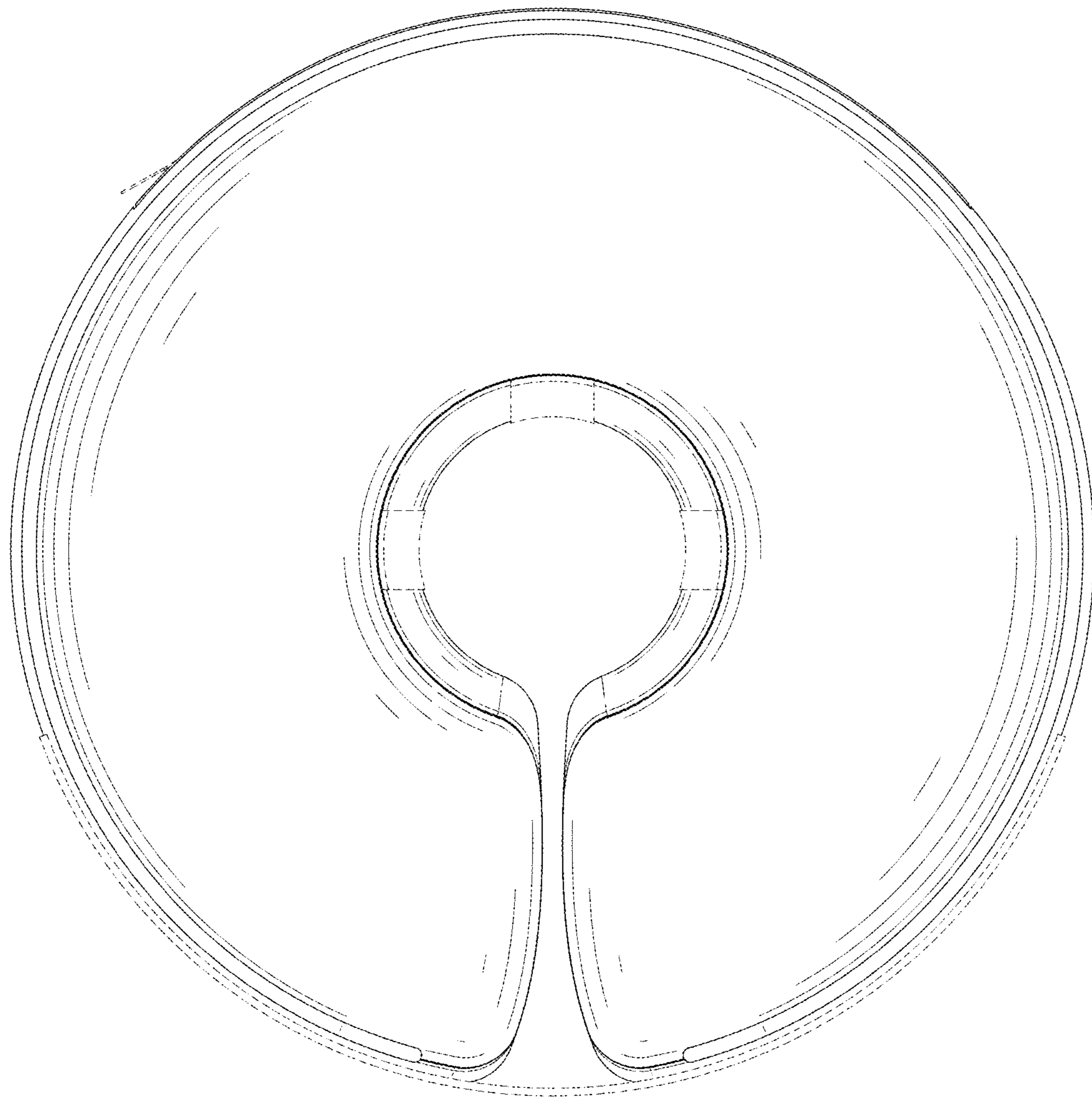


FIG. 3

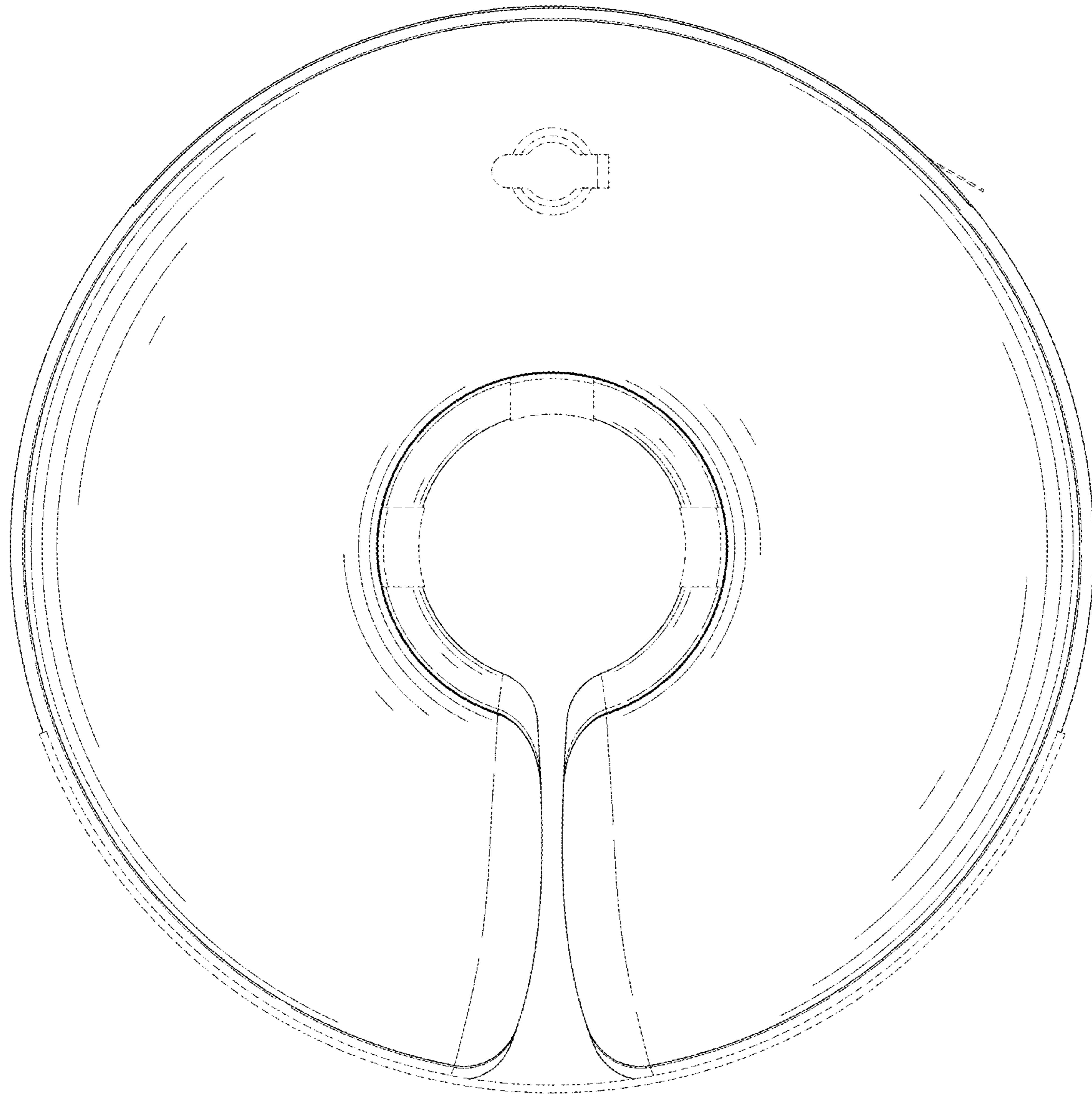


FIG. 4

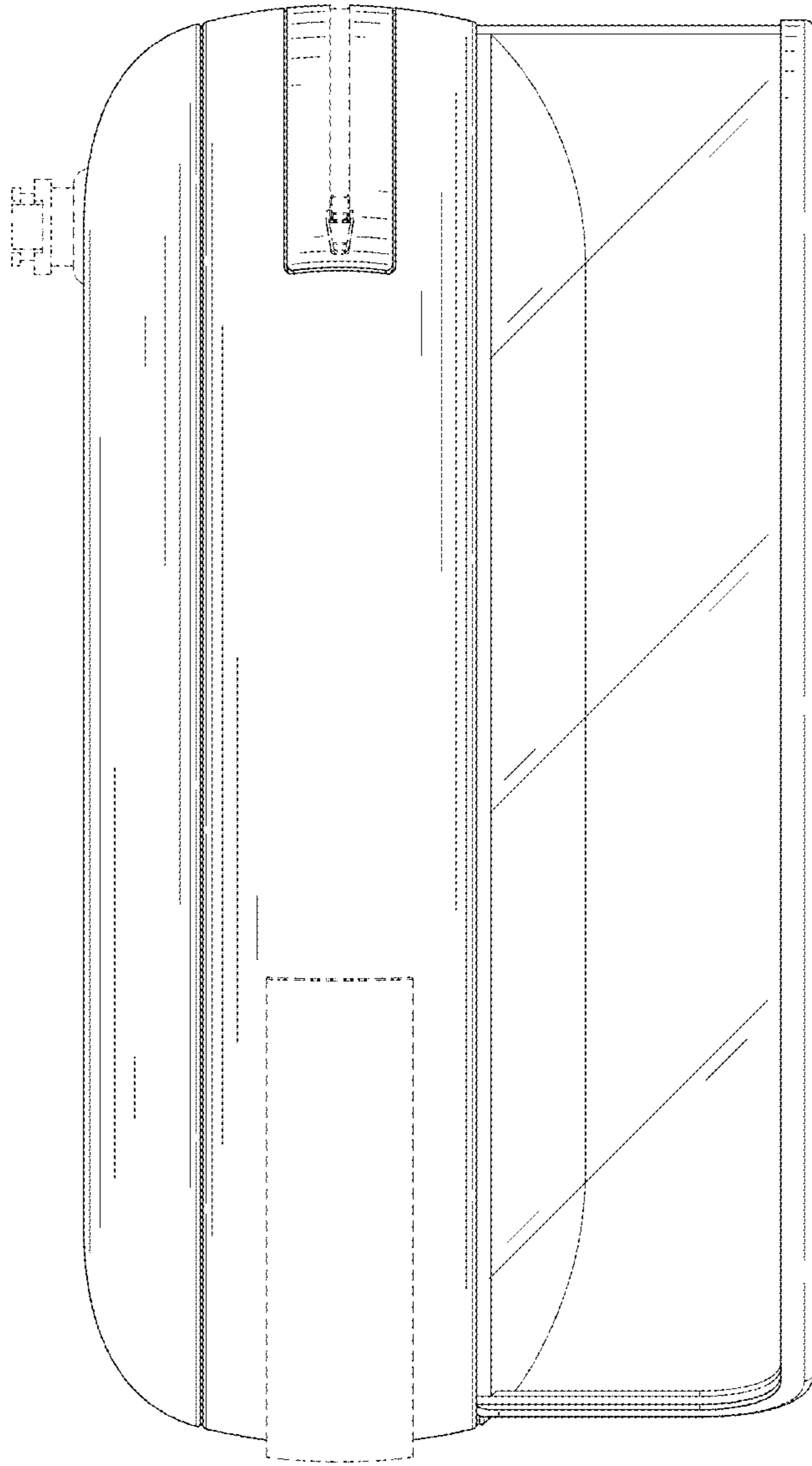


FIG. 5

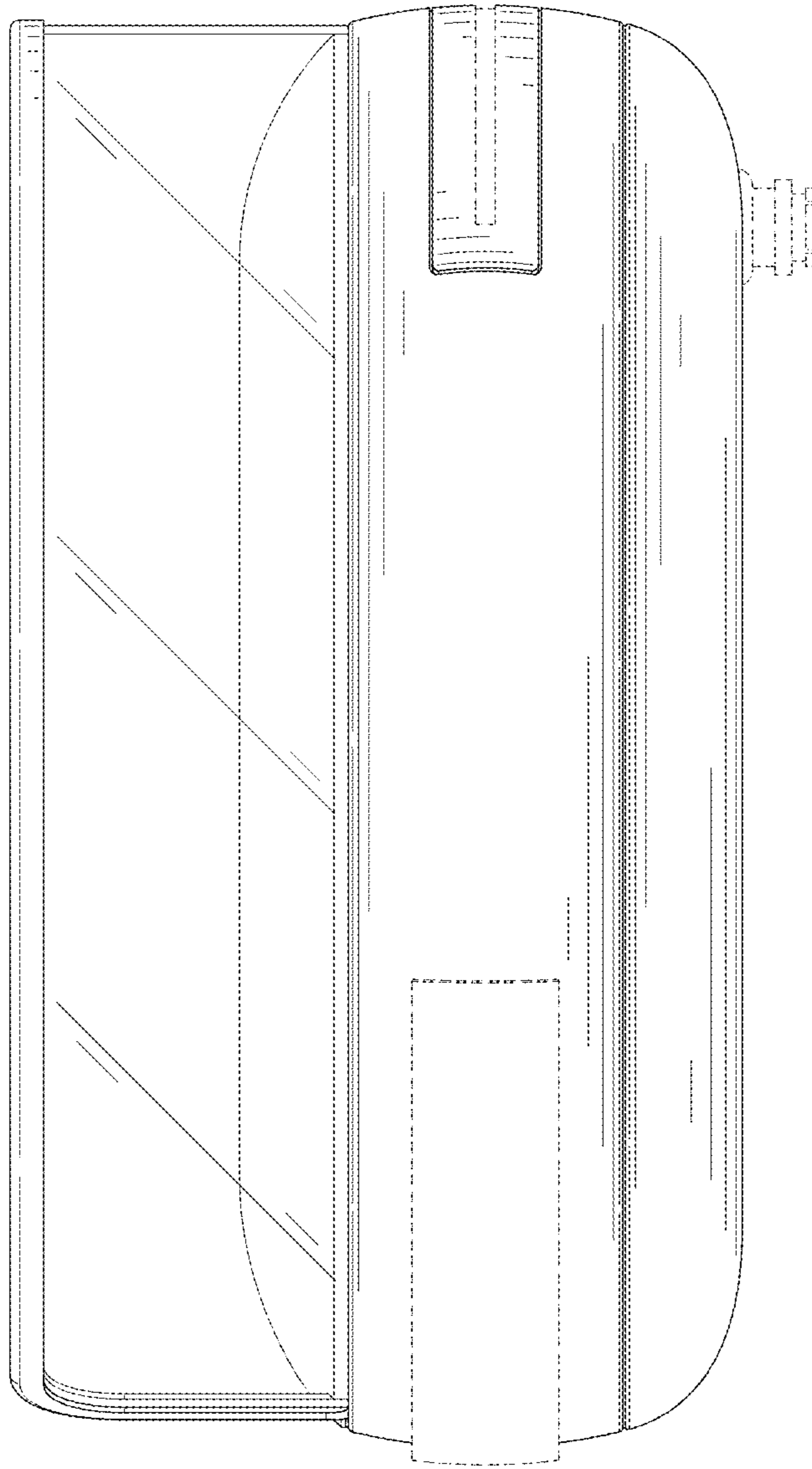


FIG. 6

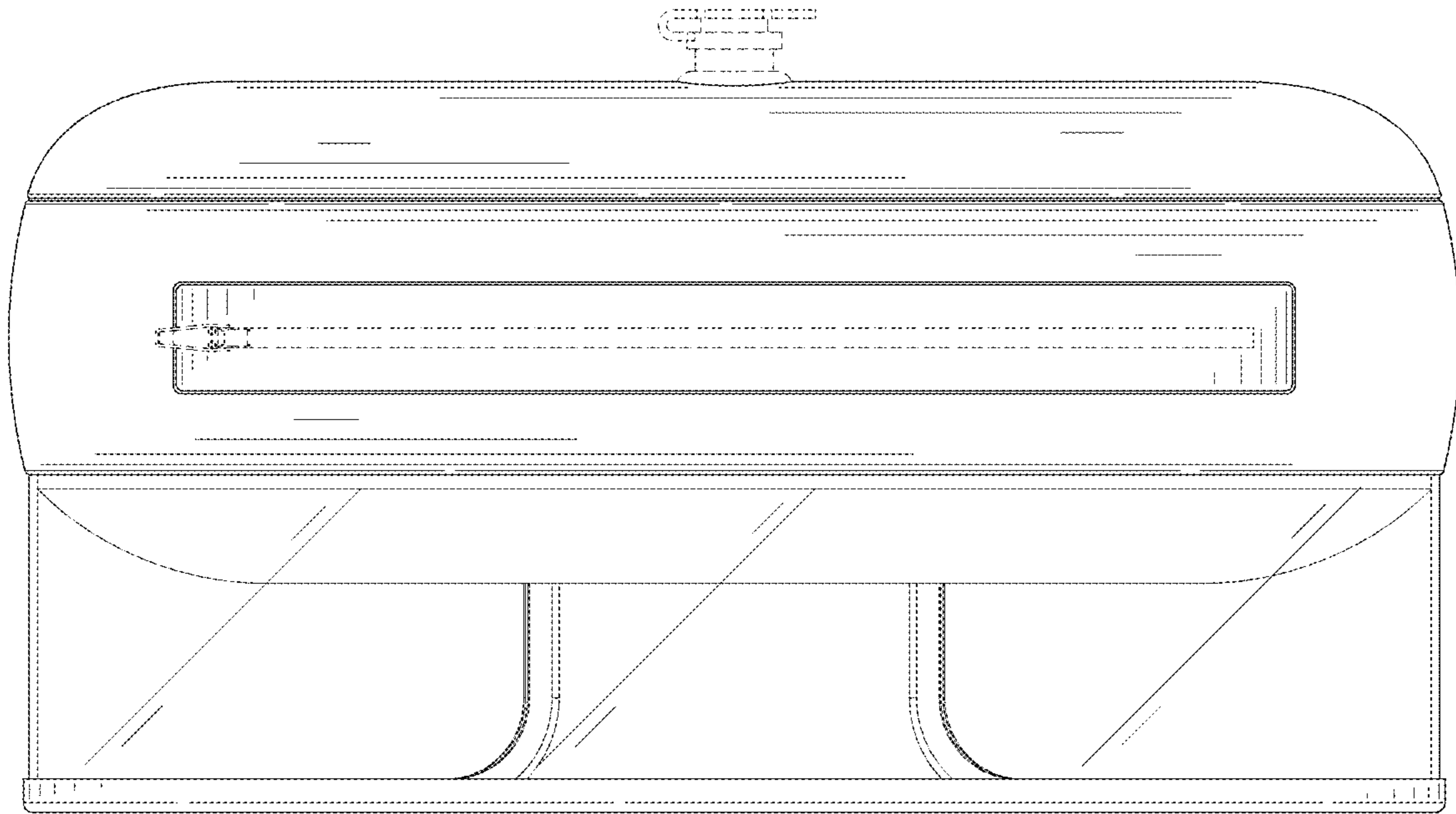


FIG. 7

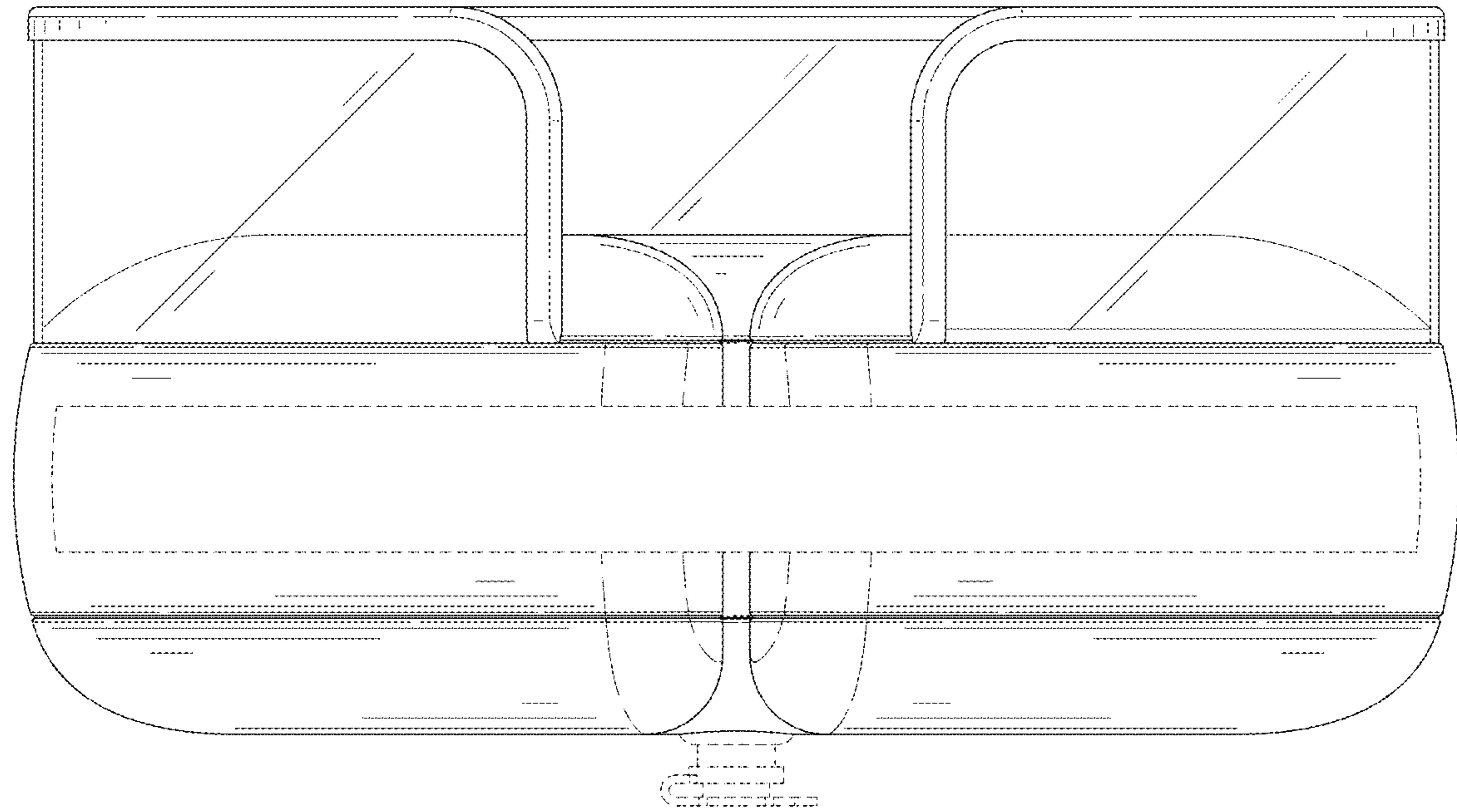


FIG. 8

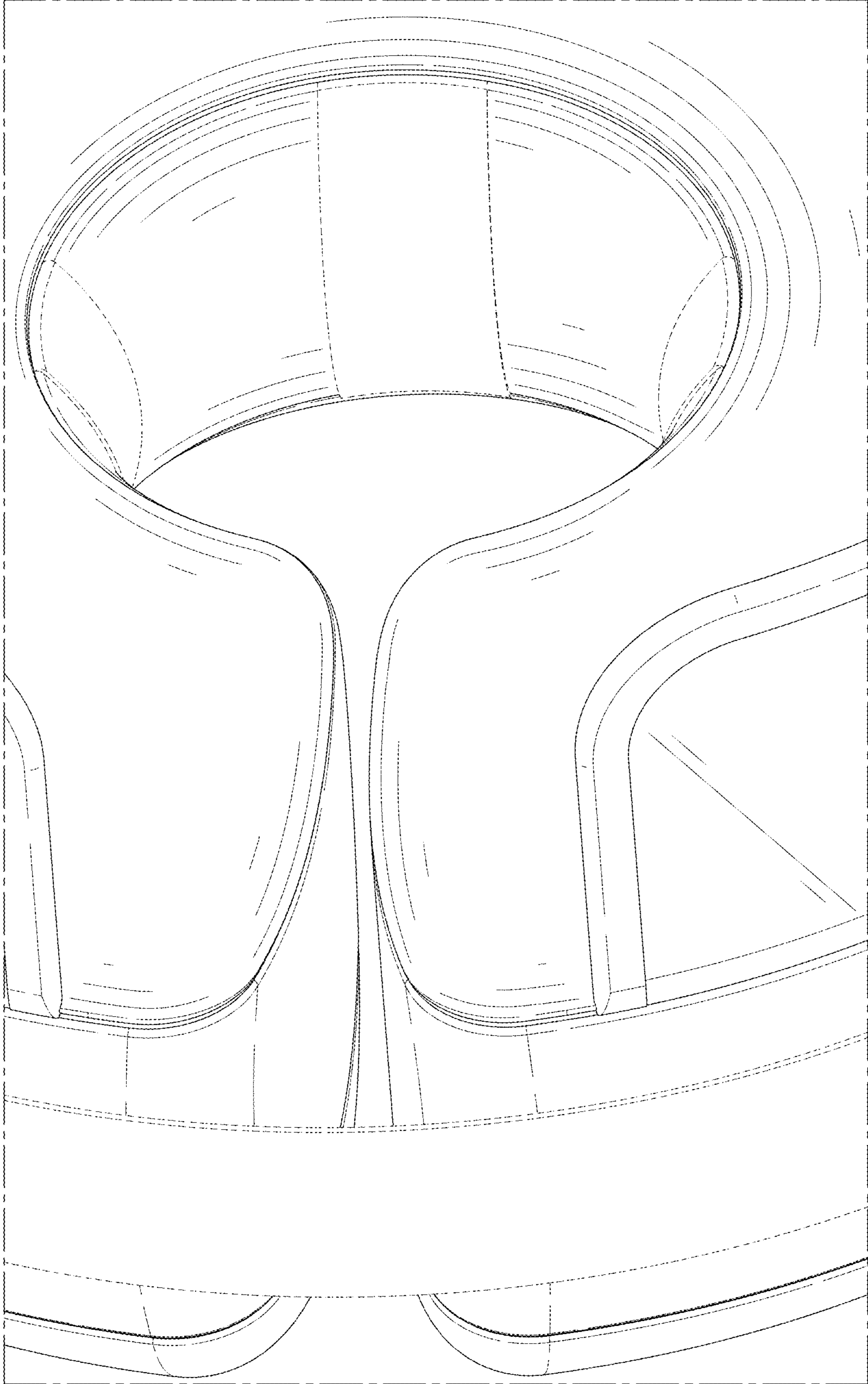


FIG. 9

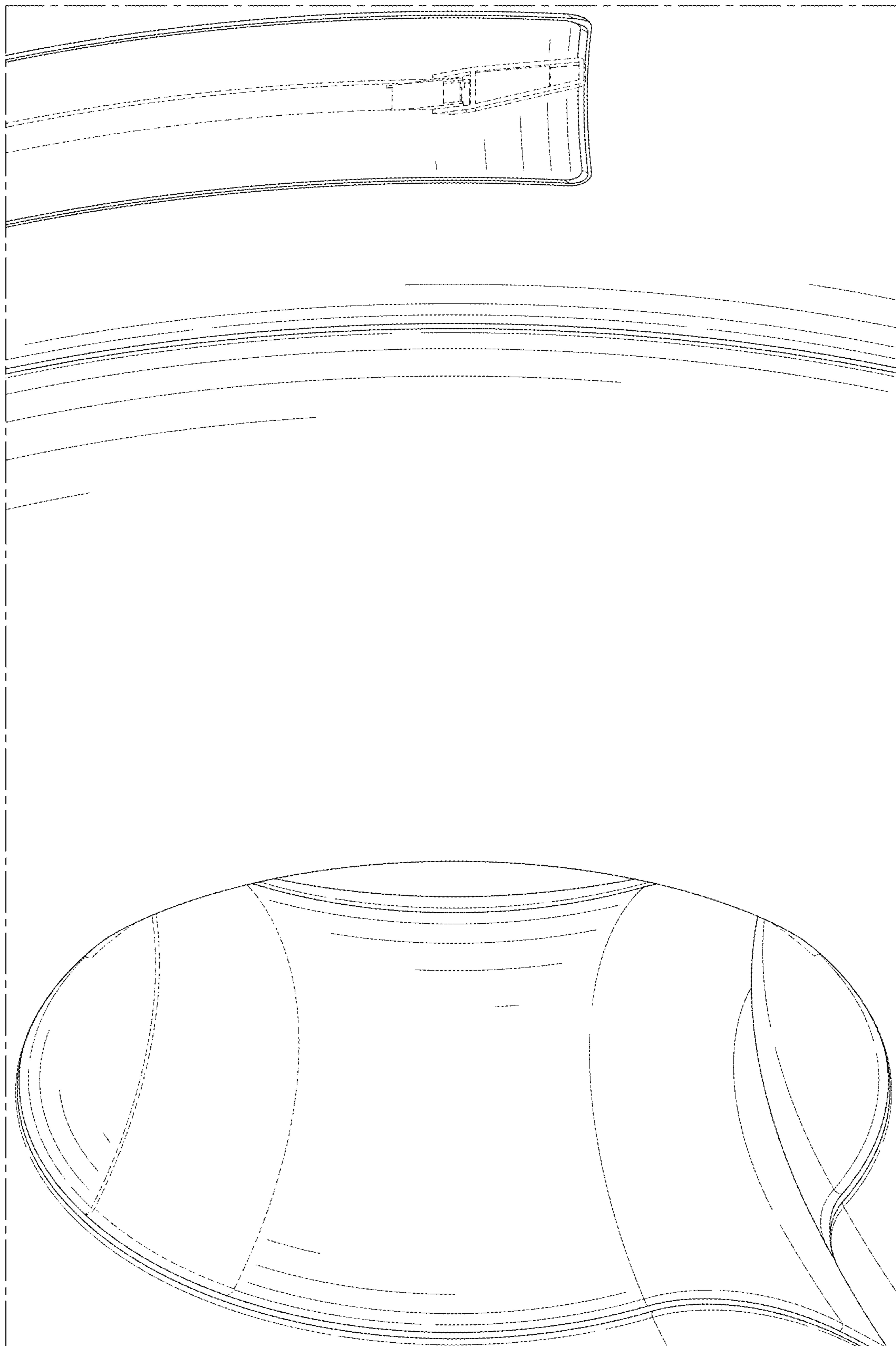


FIG. 10