



US00D977202S

(12) **United States Design Patent**  
**Shen**

(10) **Patent No.:** **US D977,202 S**  
(45) **Date of Patent:** **\*\* Jan. 31, 2023**

(54) **HUMMINGBIRD FEEDER**

(71) Applicant: **Shanghai Lvtengluo Trading Co., Ltd.**, Shanghai (CN)

(72) Inventor: **Zhifeng Shen**, Nanjing (CN)

(\*\*) Term: **15 Years**

(21) Appl. No.: **29/841,502**

(22) Filed: **Jun. 7, 2022**

(51) **LOC (14) Cl.** ..... **30-03**

(52) **U.S. Cl.**  
USPC ..... **D30/124; D30/127**

(58) **Field of Classification Search**  
USPC ..... D30/121, 124, 127, 128, 133, 114, 115, D30/116, 117, 118, 119, 125, 126; 119/51.03, 57.8, 51.01, 52.2, 710, 711, 119/52.3, 464, 707, 709, 57.9, 124, 51.04; 43/2, 131; 47/86, 65, 65.5, 67, 39, 41.12, 47/79; 426/1, 439, 556; D11/121, 120, D11/79, 117, 143, 152; 428/10, 18, 27; D7/352, 356; 156/256, 263; 66/170; 99/372, 377, 403; 425/318, 395, 404; 248/175, 27.8; 211/85.31, 88.03, 23; 362/122, 227, 249.15, 249.16, 249.18, 362/806; D9/569, 538-543, 516, 545, D9/556-559; D22/119, 122

CPC .... A01K 39/02; A01K 39/0206; A01K 39/04; A01K 39/012; A01K 39/026; A01K 39/06; A01K 39/024; A01K 39/022; A01K 39/0125; A01K 39/0113; A01K 39/00; A01K 39/01; A01K 39/014; A01K 31/10; A01K 31/12; A01K 31/00; A01K 5/01; A01K 5/0225

See application file for complete search history.

5,507,249 A \* 4/1996 Shaw ..... A01K 39/0206  
119/72

D424,471 S \* 5/2000 Souris ..... D11/146

D448,909 S \* 10/2001 Friesen ..... D34/39

D482,637 S \* 11/2003 Gilad ..... D11/154

(Continued)

**OTHER PUBLICATIONS**

Muse Garden Ant Proof Glass blown hummingbird feeder <https://www.musegarden.com/products/vase-hand-blown-hummingbird-feeder-blue-swirl> Jun. 2022 (Year: 2022).\*

*Primary Examiner* — Susan Moon Lee  
(74) *Attorney, Agent, or Firm* — Rumit Ranjit Kanakia

(57) **CLAIM**

The ornamental design for the hummingbird feeder, as shown and described.

**DESCRIPTION**

FIG. 1 is a perspective view of the hummingbird feeder, showing the first embodiment of my new design;

FIG. 2 is another perspective view thereof;

FIG. 3 is a front elevational view, the rear elevational view, the left side view and the right side view are identical;

FIG. 4 is a top view thereof;

FIG. 5 is a bottom view thereof;

FIG. 6 is a perspective view of the hummingbird feeder, showing the second embodiment of my new design;

FIG. 7 is another perspective view thereof;

FIG. 8 is a front elevational view and the rear elevational view are identical;

FIG. 9 is a left elevational view and the right elevational view are identical;

FIG. 10 is a top view thereof; and,

FIG. 11 is a bottom view thereof.

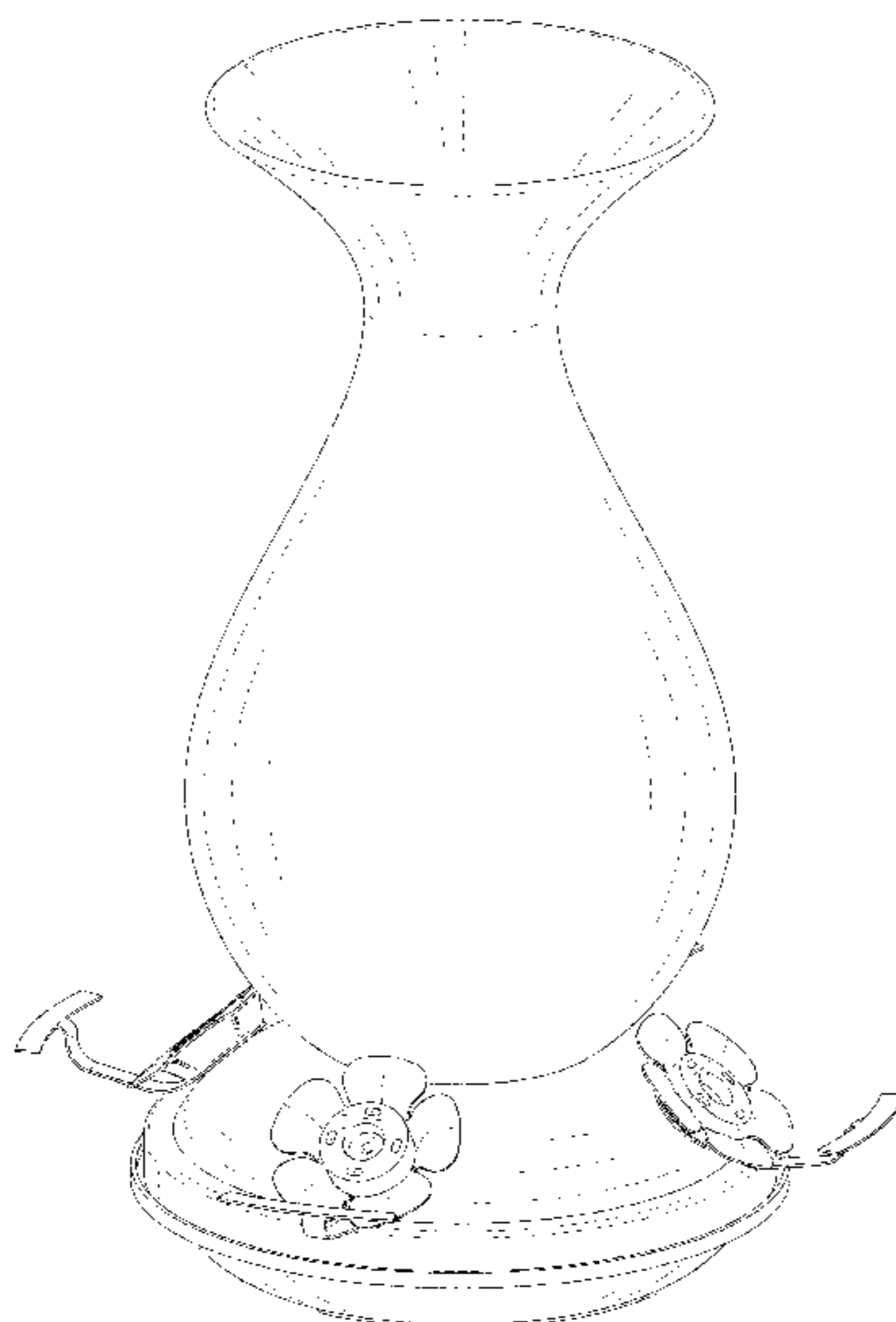
The broken lines in the figures are for the purpose of illustrating portions of the hummingbird feeder, which form no part of the claimed design.

**1 Claim, 11 Drawing Sheets**

(56) **References Cited**  
**U.S. PATENT DOCUMENTS**

D338,427 S \* 8/1993 Liou ..... D11/143

D351,121 S \* 10/1994 Lauchlan ..... D11/143



(56)

References Cited

U.S. PATENT DOCUMENTS

D515,927 S \* 2/2006 Smay ..... D7/615  
 D517,749 S 3/2006 Jung  
 D530,457 S 10/2006 Jung  
 D542,707 S \* 5/2007 Kolokotronis ..... D11/153  
 D542,885 S \* 5/2007 Knackstedt ..... D34/39  
 D574,294 S \* 8/2008 Heathcock ..... D11/144  
 D581,035 S \* 11/2008 Conway ..... D23/366  
 D583,110 S 12/2008 Nylen  
 D603,567 S \* 11/2009 Chen ..... D30/124  
 D606,708 S 12/2009 McMullen  
 7,685,969 B2 \* 3/2010 Stone ..... A01K 39/02  
 119/52.2  
 D619,922 S \* 7/2010 Garcia ..... D11/143  
 D635,653 S \* 4/2011 Conway ..... D23/355  
 D656,279 S 3/2012 Tu  
 D658,539 S \* 5/2012 Harshman ..... D11/146  
 D660,195 S \* 5/2012 Harshman ..... D11/146  
 D683,909 S 6/2013 Chevrie

D698,101 S 1/2014 Muhr  
 D698,501 S 1/2014 Muhr  
 D721,208 S \* 1/2015 Chen ..... D30/127  
 D728,864 S 5/2015 Schroeder  
 D752,825 S \* 3/2016 Aplin ..... D30/127  
 9,271,587 B2 \* 3/2016 Newby ..... A47G 7/06  
 D789,621 S 6/2017 Nifong  
 D821,659 S \* 6/2018 Nifong ..... D30/127  
 D846,107 S \* 4/2019 Hu ..... D23/366  
 D872,947 S \* 1/2020 Haney ..... D30/127  
 D872,948 S \* 1/2020 Haney ..... D30/127  
 D903,207 S \* 11/2020 Shen ..... D30/127  
 D914,997 S \* 3/2021 Jin ..... D30/127  
 D917,792 S \* 4/2021 Thorn ..... D30/124  
 D965,126 S \* 9/2022 Chen ..... D23/356  
 2007/0289540 A1 \* 12/2007 Stone ..... A01K 39/02  
 119/72  
 2015/0122186 A1 \* 5/2015 Donegan ..... A01K 39/04  
 119/51.5  
 2017/0311575 A1 \* 11/2017 Kong ..... B44F 9/00  
 2020/0196577 A1 \* 6/2020 Haney ..... A01K 39/0206

\* cited by examiner

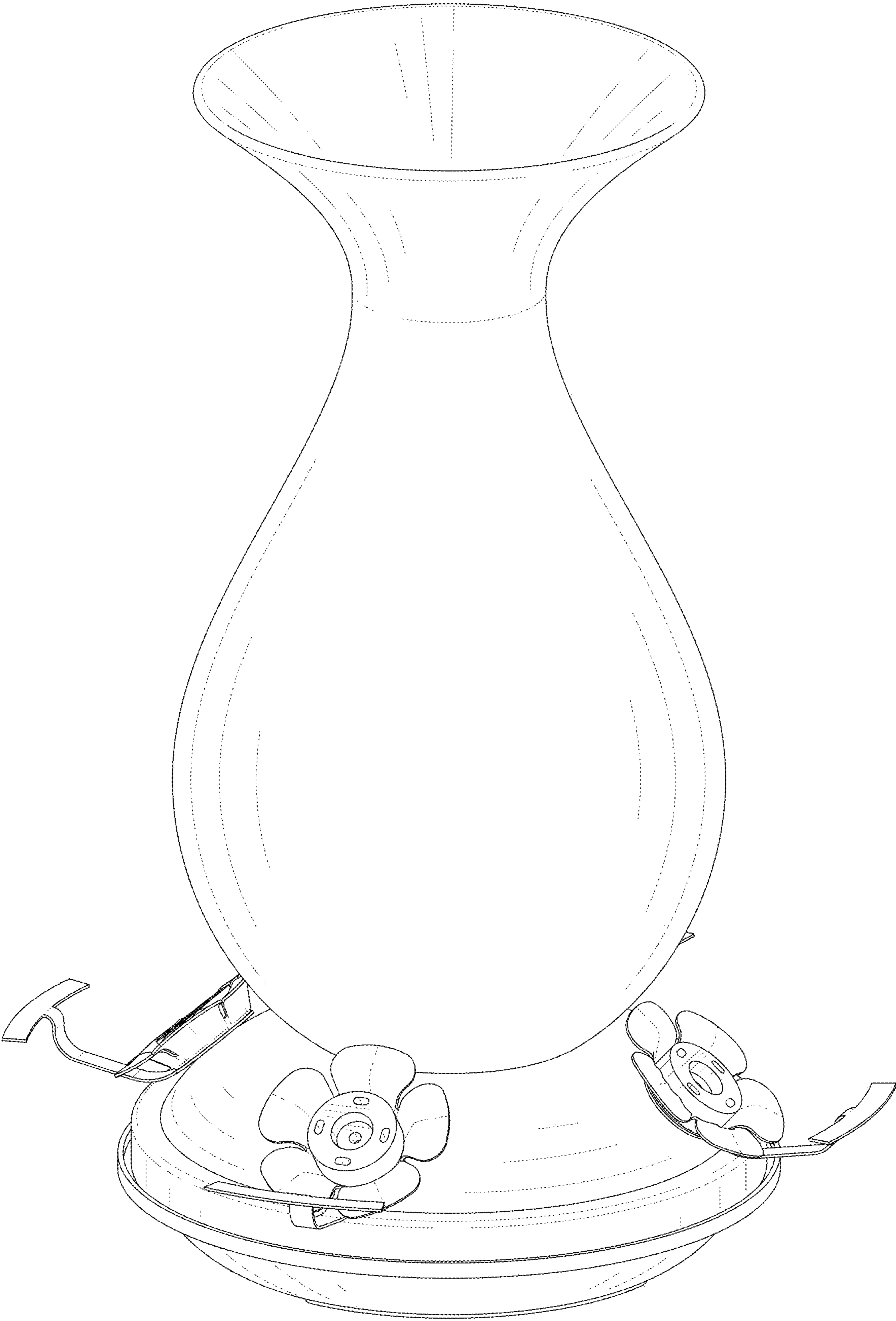


FIG. 1



FIG. 2



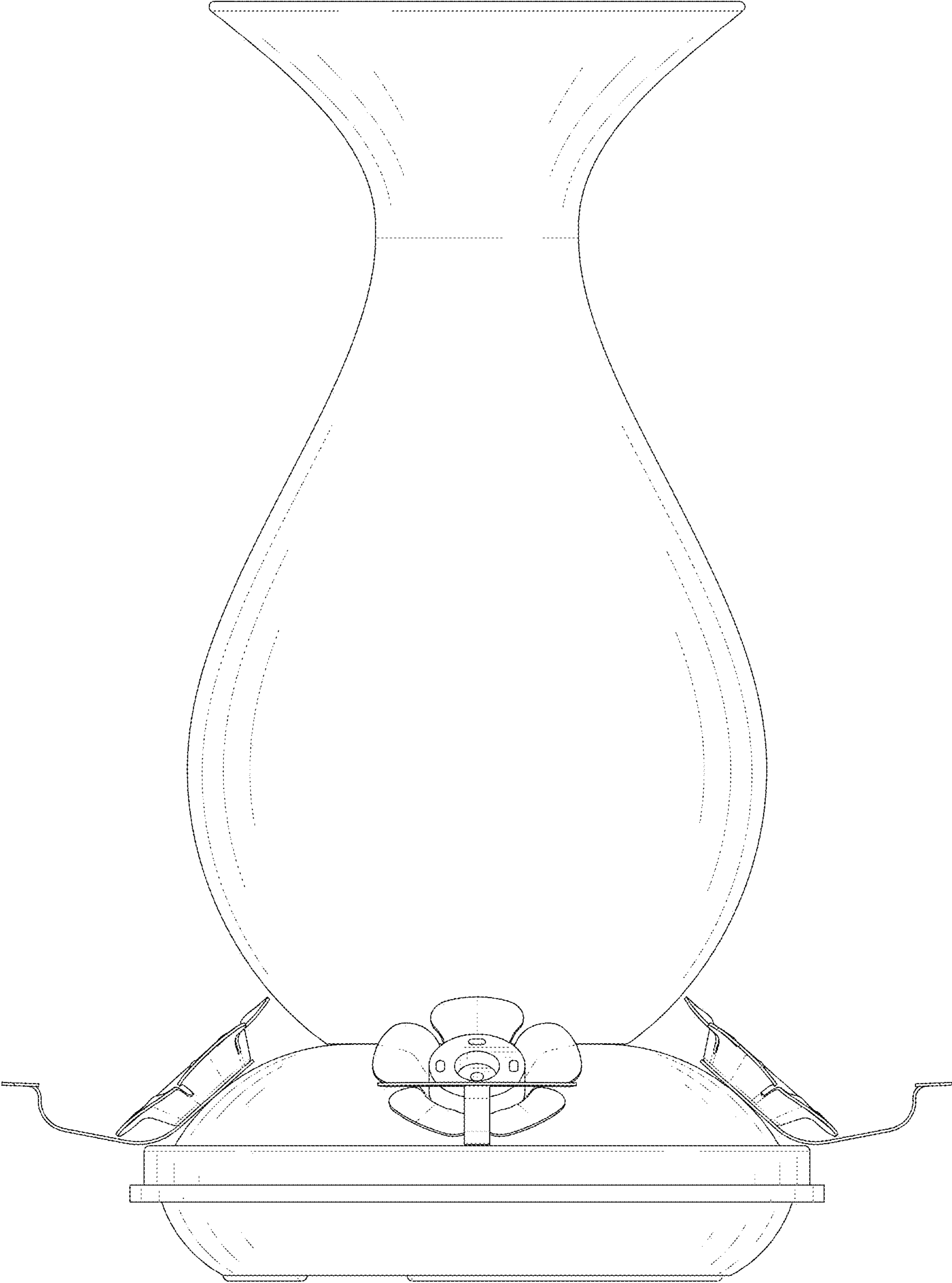


FIG. 3

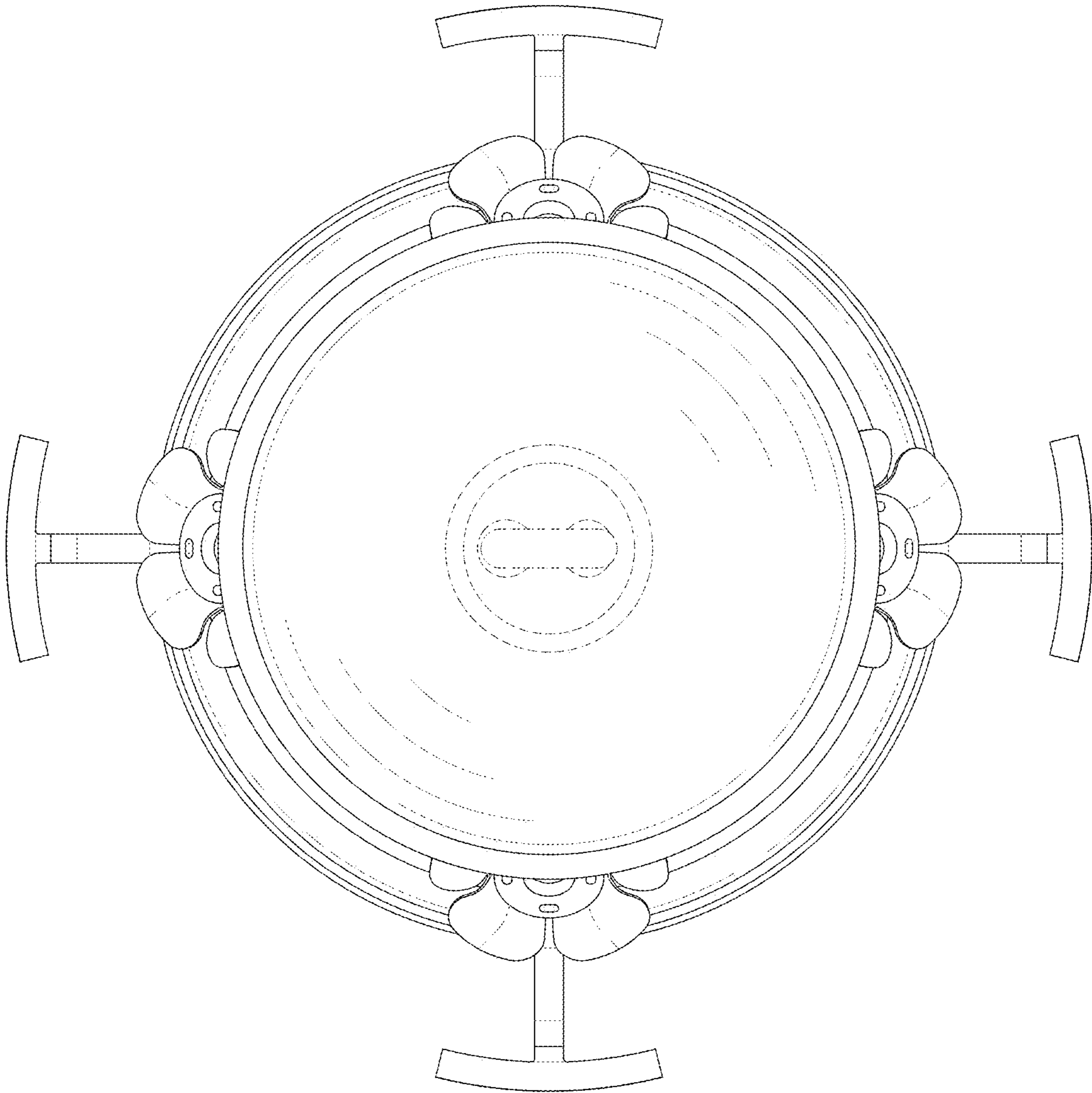


FIG. 4

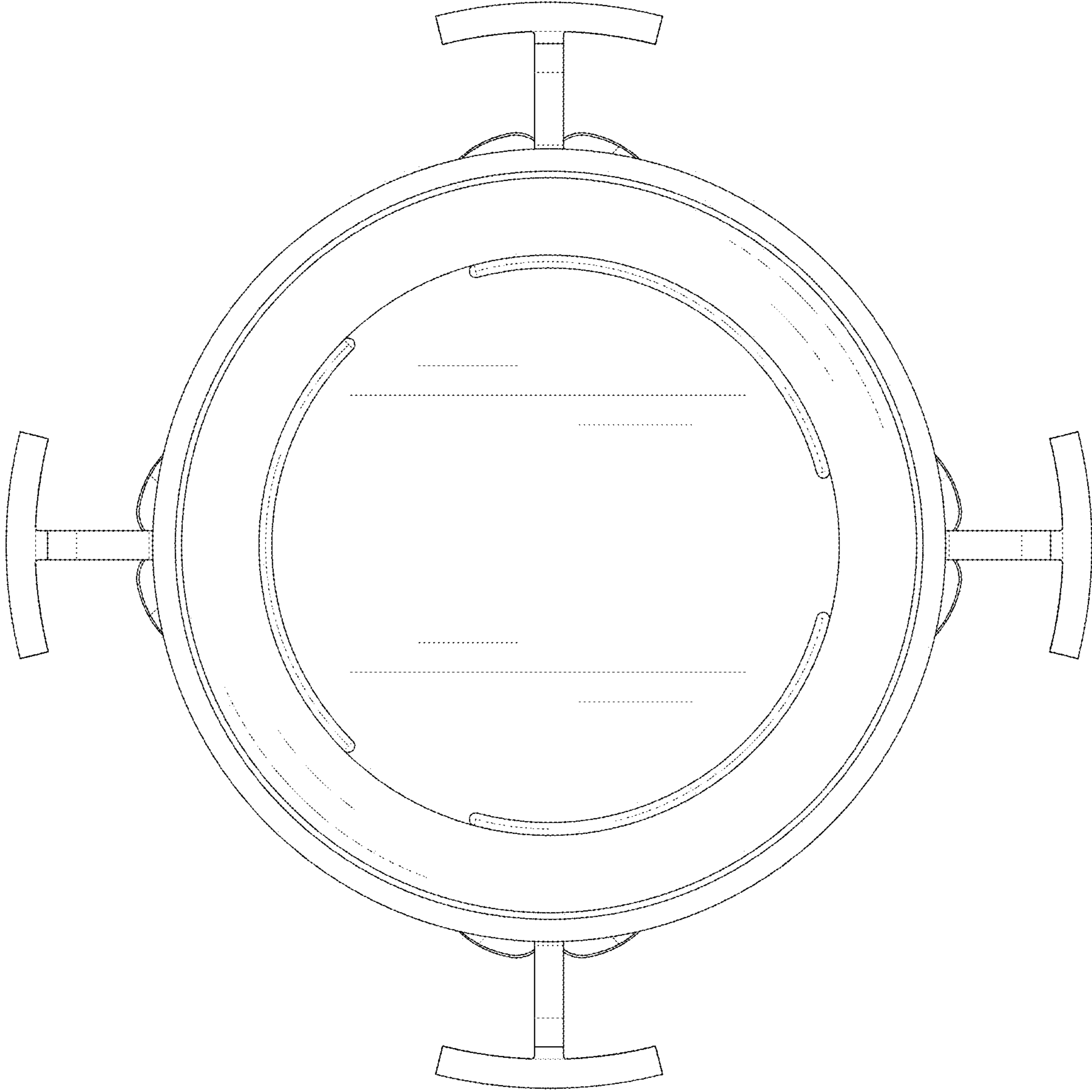


FIG. 5



FIG. 6





FIG. 7

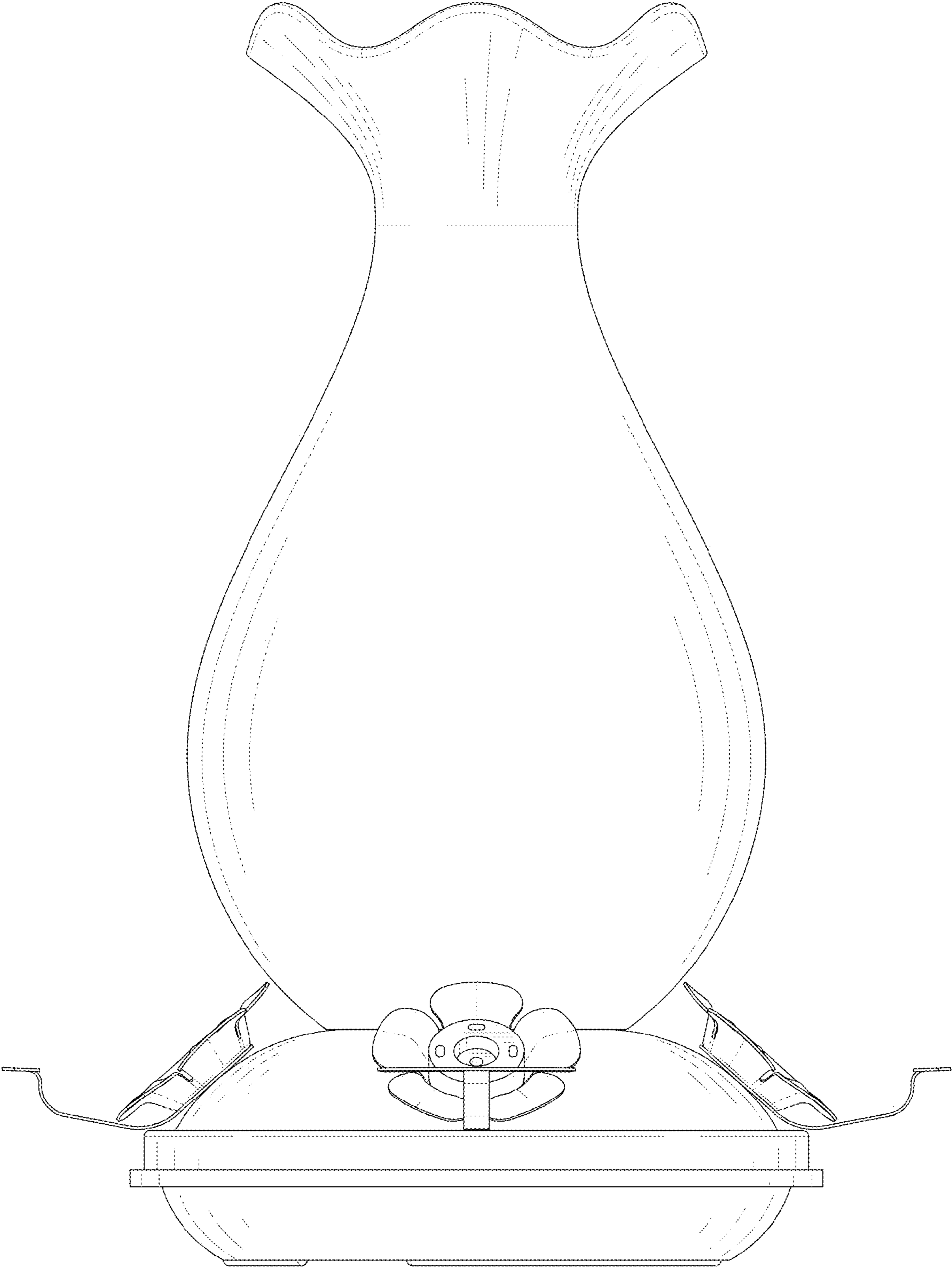


FIG. 8

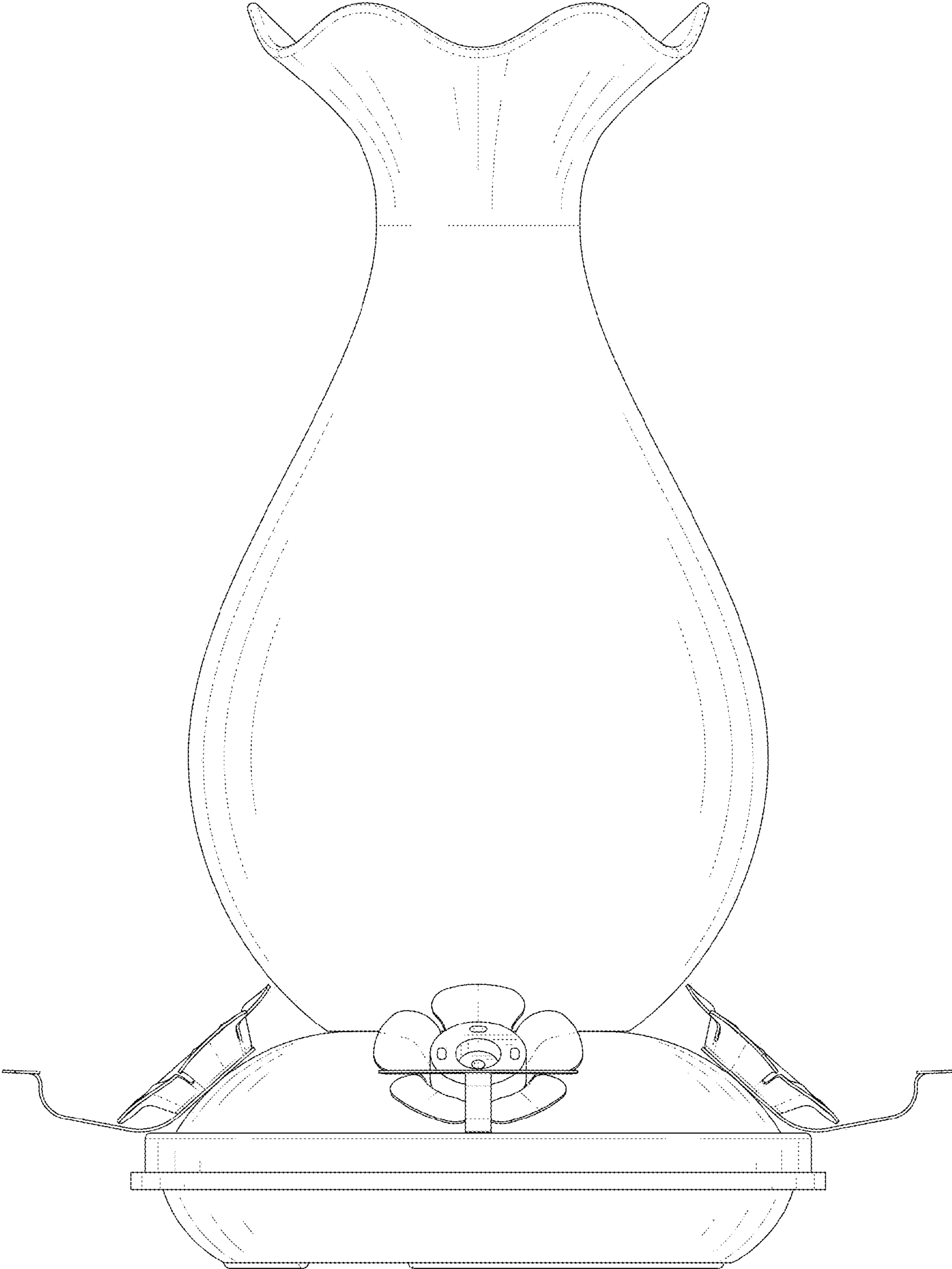


FIG. 9

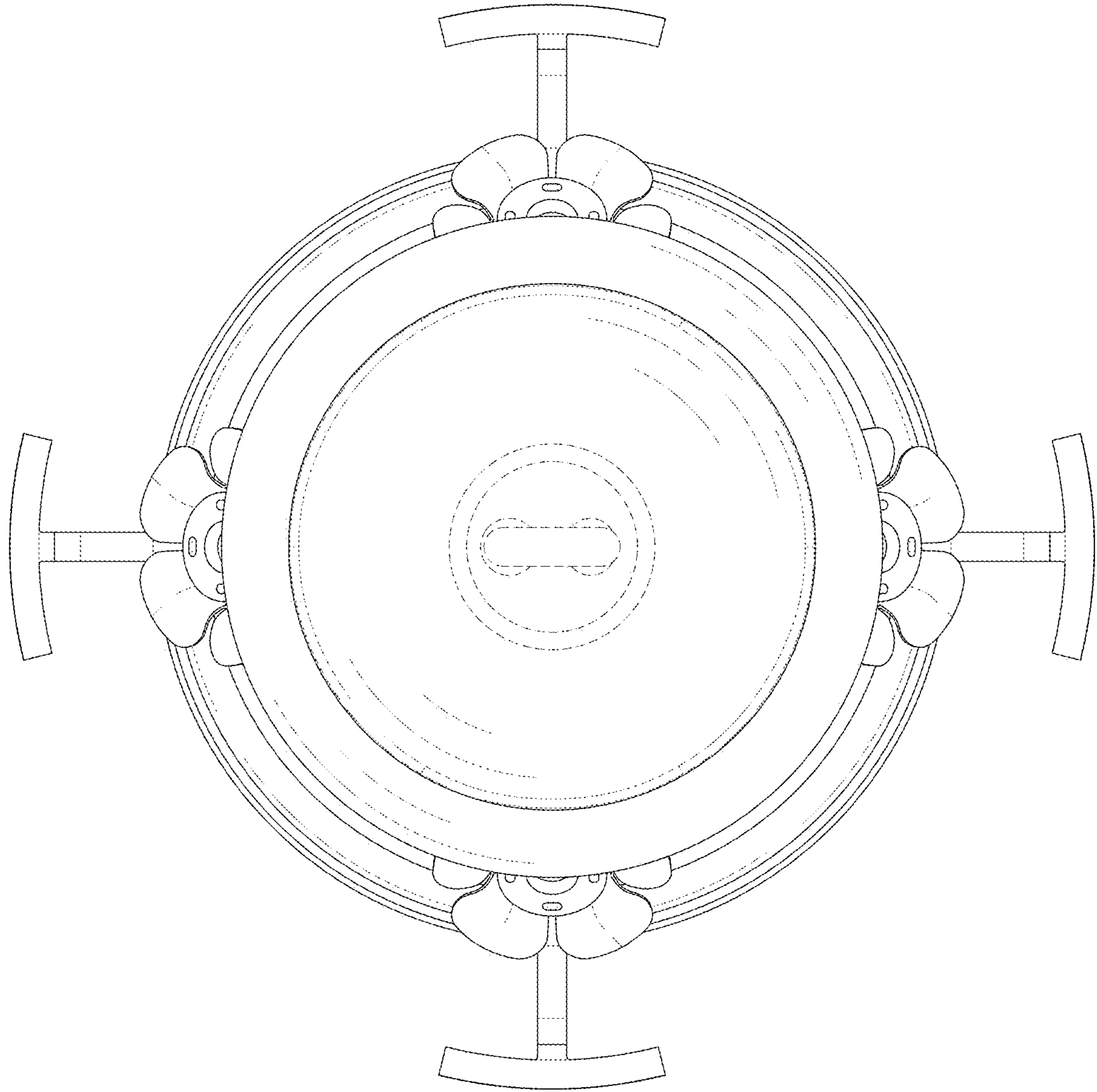


FIG. 10

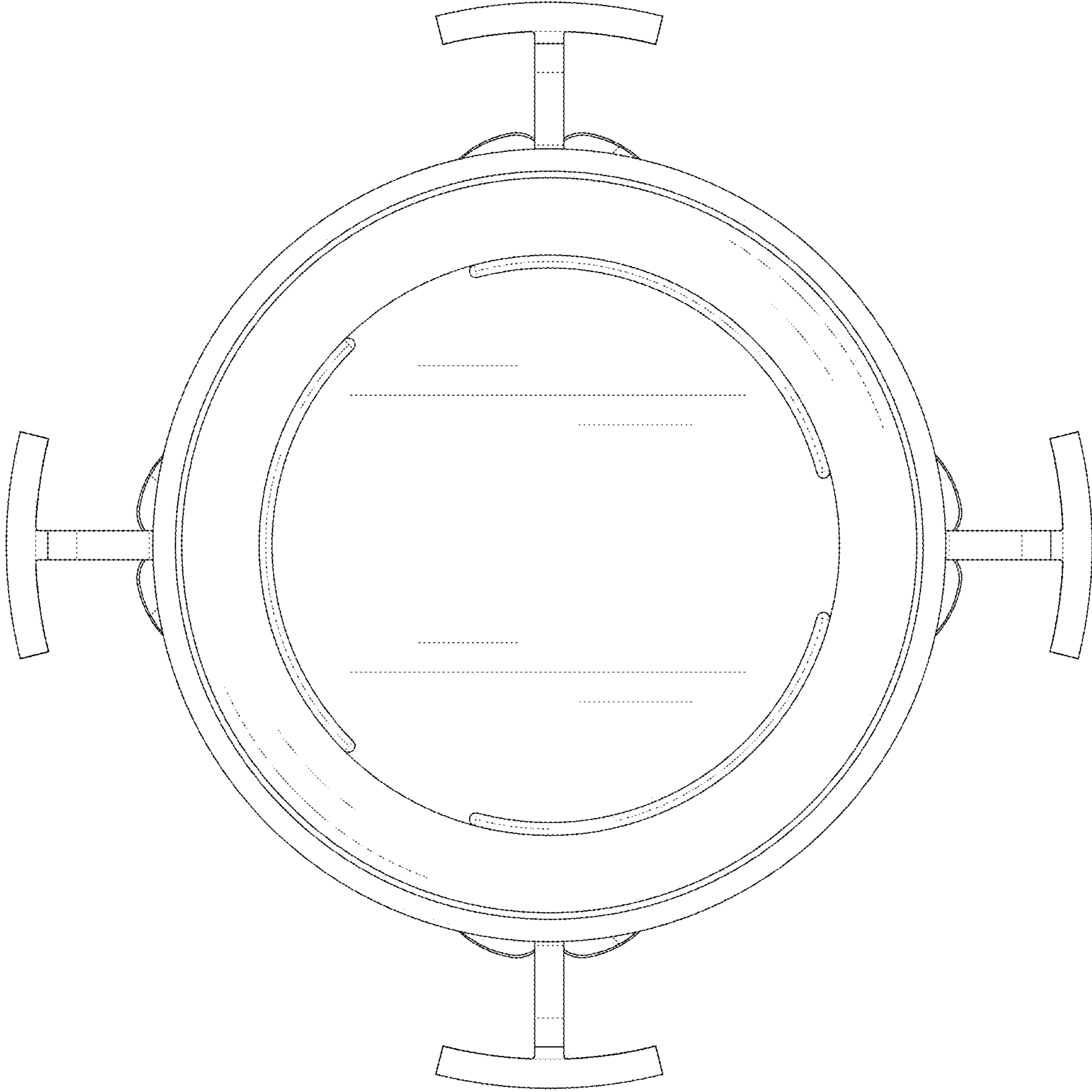


FIG. 11