



US00D977200S

(12) **United States Design Patent** (10) **Patent No.:** **US D977,200 S**
Jo (45) **Date of Patent:** **** Jan. 31, 2023**

(54) **FEEDER FOR PETS**

(71) Applicants: **DSL**LAB, INC., Suwon-si (KR); **Deok Su Jo**, Suwon-si (KR)

(72) Inventor: **Deok Su Jo**, Suwon-si (KR)

(**) Term: **15 Years**

(21) Appl. No.: **35/512,855**

(22) Filed: **May 4, 2021**

(80) **Hague Agreement Data**

Int. Filing Date: **May 4, 2021**

Int. Reg. No.: **DM/214695**

Int. Reg. Date: **May 4, 2021**

Int. Reg. Pub. Date: **Nov. 5, 2021**

(30) **Foreign Application Priority Data**

Nov. 4, 2020 (KR) 30-2020-0053144

(51) **LOC (14) Cl.** **30-03**

(52) **U.S. Cl.**
USPC **D30/121; D30/129; D30/122**

(58) **Field of Classification Search**

USPC D30/133, 121, 128, 130, 132, 122, 129, D30/125; 119/52.1, 55, 61.5-61.56, 119/51.01, 51.03, 59, 62, 63, 51.5, 57.8, 119/74, 61; D6/480-485; 248/188, 151; 312/204; 108/153.1-157, 25-26; 220/23.87, 630, 737, 743, 9.4, 495.01, 220/574, 212, 255, 23.83, 575; 206/515, 206/557, 560, 562, 563, 565; D7/586, D7/543, 550.1, 587, 505, 584, 545, 500, D7/553.1-553.8, 546, 555, 556, 504, 565, D7/562, 602, 507, 549, 558, 552.2, 560, D7/566, 548, 681; D9/429; 43/109; D22/122; 99/430, DIG. 15; D28/9; D24/110, 203; D10/91, 87

CPC A01K 5/02; A01K 5/025; A01K 5/0275; A01K 5/0283; A01K 5/0291; A01K 5/00; A01K 5/01; A01K 5/0107; A01K 5/0114; A01K 5/0121; A01K 5/0128; A01K 5/0135; A01K 7/005

See application file for complete search history.

(56) **References Cited**

U.S. PATENT DOCUMENTS

5,036,799 A * 8/1991 Jordan A01K 5/01
248/311.2
5,165,365 A * 11/1992 Thompson A01K 39/01
119/786
5,501,176 A * 3/1996 Tully A01K 5/0114
119/61.57
D424,758 S * 5/2000 Akopdjanov D30/129
6,901,880 B2 * 6/2005 Hammer A01K 5/0114
119/61.4
D547,578 S * 7/2007 Johannsen D6/512
8,001,931 B2 * 8/2011 Deese A01K 5/0142
119/61.5
D676,710 S * 2/2013 Kwok D7/564

(Continued)

Primary Examiner — Susan Moon Lee

(57) **CLAIM**

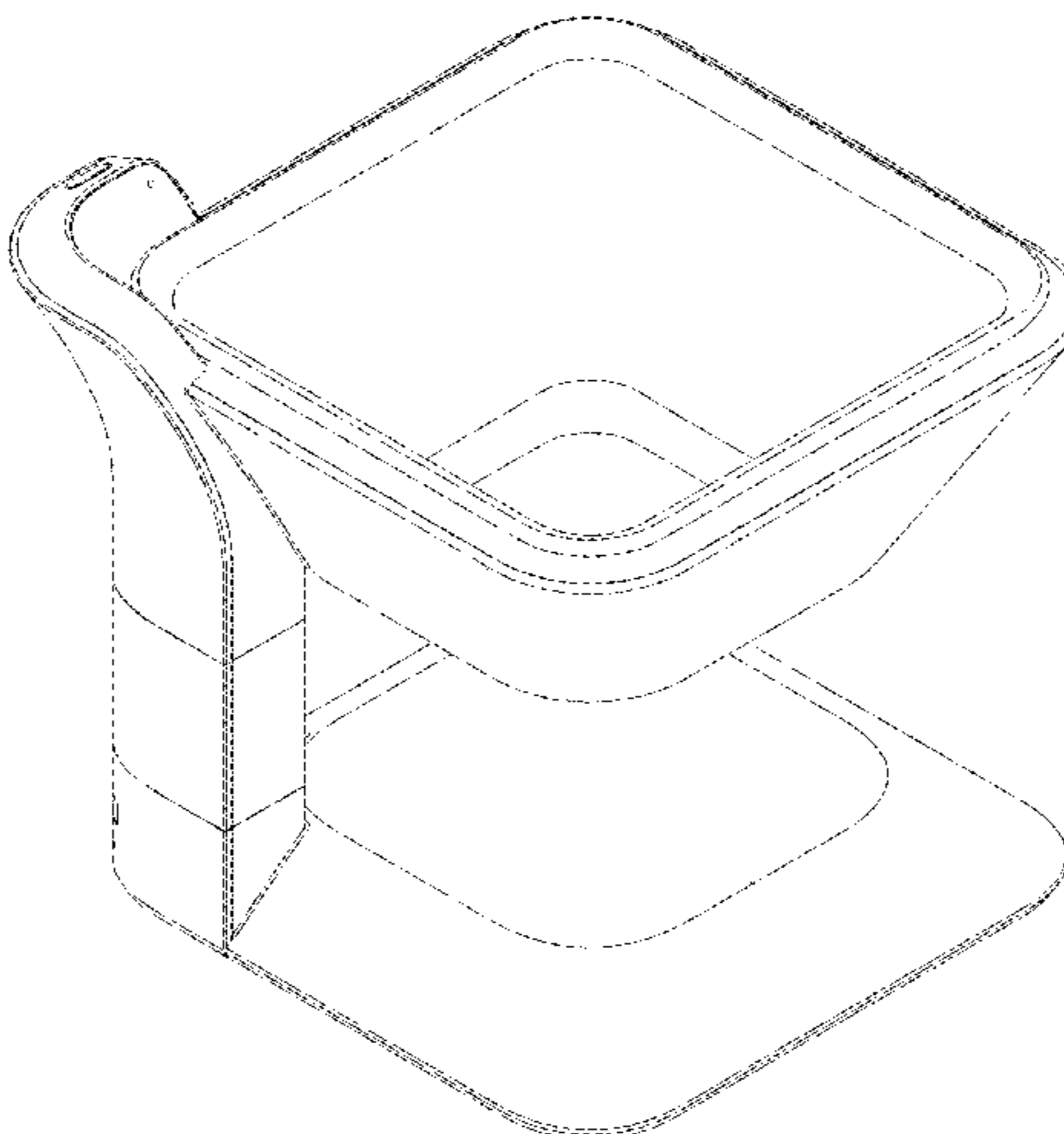
The ornamental design for a feeder for pets, as shown and described.

DESCRIPTION

- 1. Feeder for pets
- 1.1 : Perspective
- 1.2 : Front
- 1.3 : Back
- 1.4 : Left
- 1.5 : Right
- 1.6 : Top
- 1.7 : Bottom

FIG. 1.1 is a perspective view of a feeder; FIG. 1.2 is a front elevation view thereof; FIG. 1.3 is a rear elevation view thereof; FIG. 1.4 is a left side view thereof; FIG. 1.5 is a right side elevation view thereof; FIG. 1.6 is a top plan view thereof; FIG. 1.7 is a bottom plan view thereof.

1 Claim, 7 Drawing Sheets



(56)

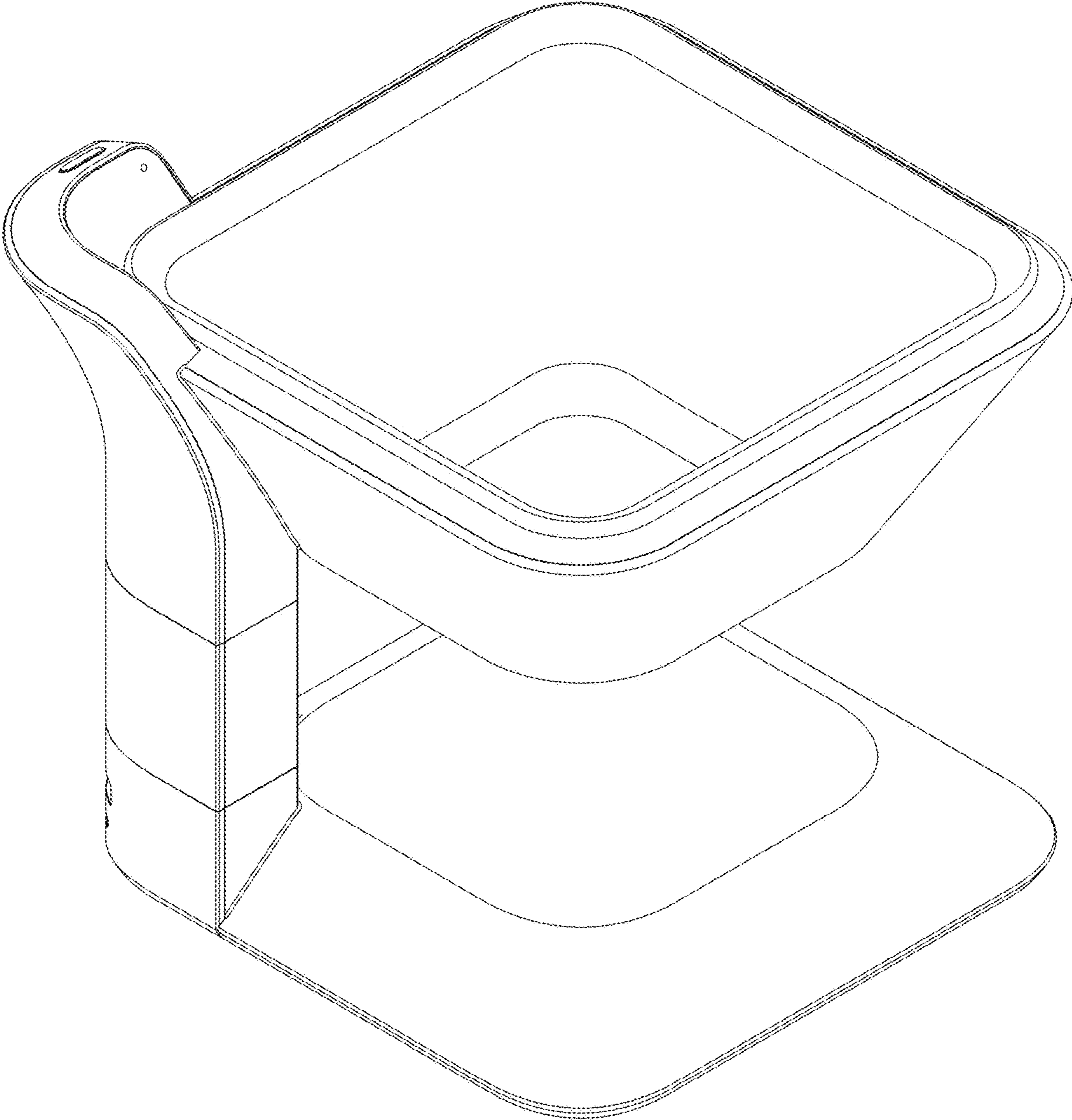
References Cited

U.S. PATENT DOCUMENTS

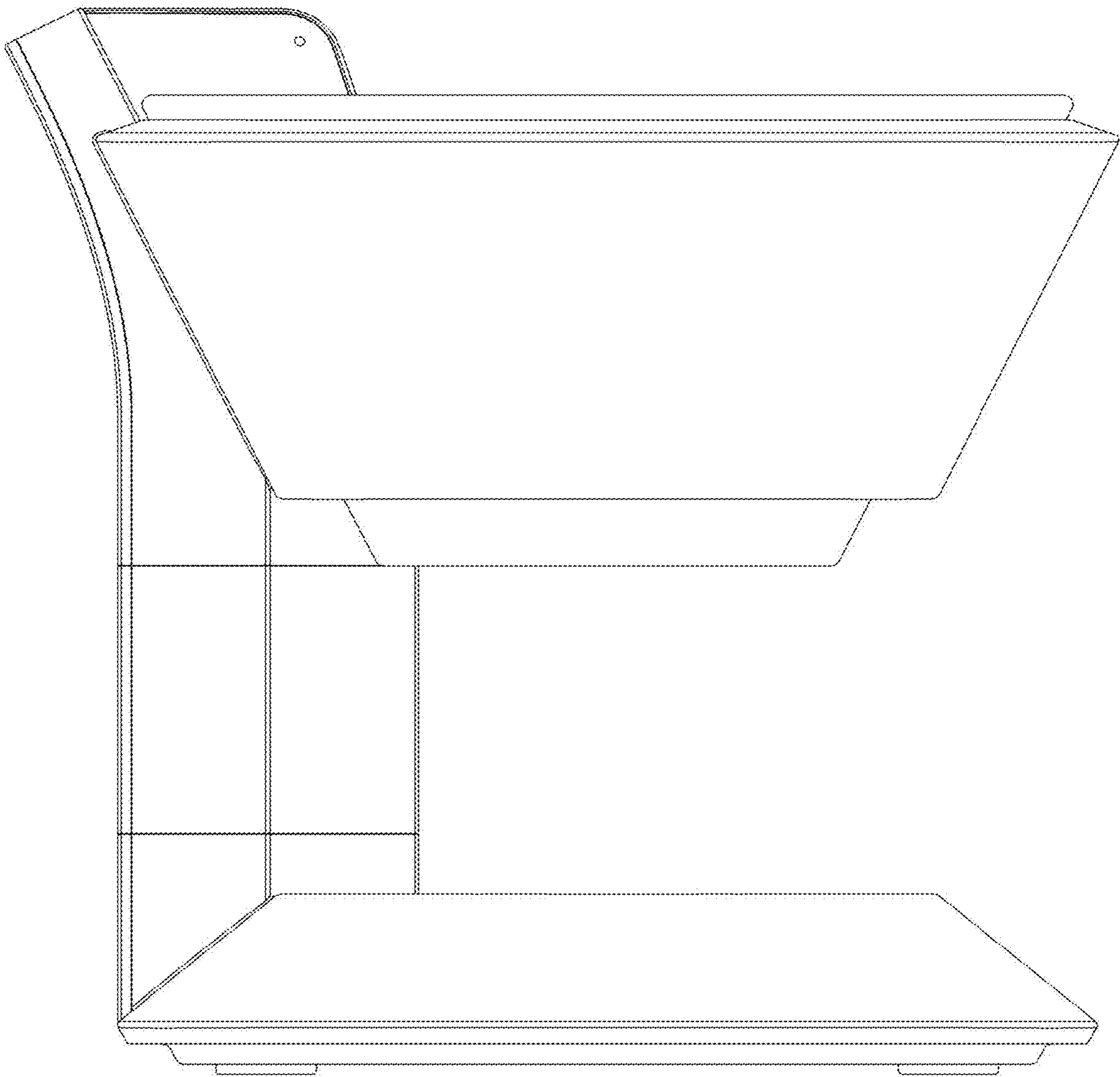
D682,483 S * 5/2013 Silverman D30/129
 8,479,686 B2 * 7/2013 Johnson A01K 7/00
 119/51.5
 D695,974 S * 12/2013 Young D30/131
 8,776,725 B1 * 7/2014 Grijalva A01K 7/00
 119/51.01
 D711,052 S * 8/2014 Lee A01K 5/0114
 D30/129
 D725,837 S * 3/2015 Panfile D30/133
 9,144,225 B1 * 9/2015 Gaccione A01K 5/0114
 D794,260 S * 8/2017 Tanumihardja D30/133
 D800,396 S * 10/2017 Coviello D30/129
 D846,814 S * 4/2019 Tao D30/122
 10,321,662 B2 * 6/2019 Conley A01K 7/00
 D887,091 S * 6/2020 Patel D30/133
 D919,195 S * 5/2021 Tan D30/129
 D922,000 S * 6/2021 Peng D30/131
 D924,490 S * 7/2021 Yan D30/129
 D952,266 S * 5/2022 Yoshimura D30/129
 2010/0147224 A1 * 6/2010 Aletti B66F 11/00
 119/174
 2013/0112146 A1 * 5/2013 Johnson A01K 7/00
 119/51.5
 2013/0233247 A1 * 9/2013 Boyden A01K 5/0114
 119/51.5
 2018/0132613 A1 * 5/2018 Hsieh A47J 47/00

* cited by examiner

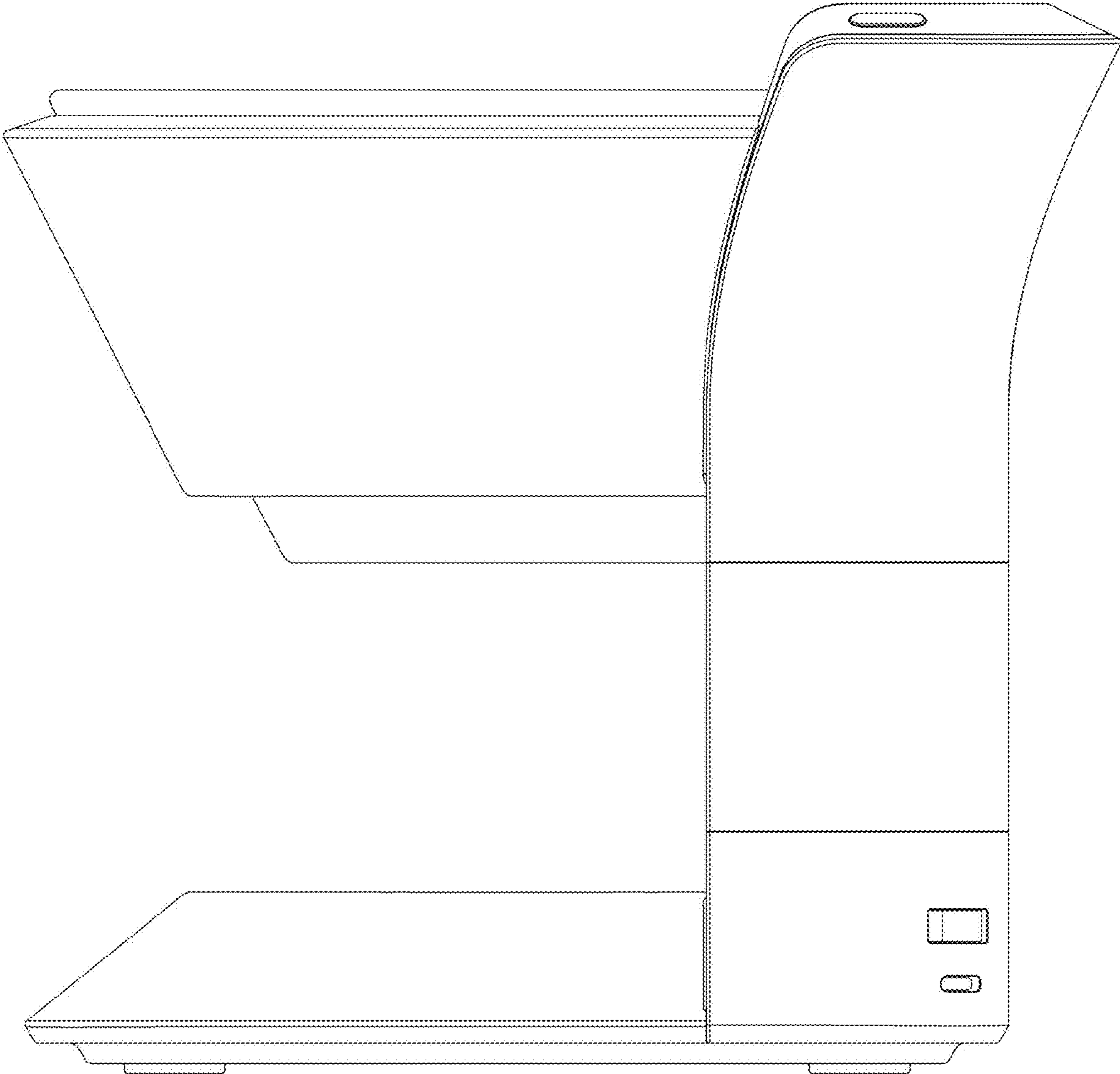
1.1



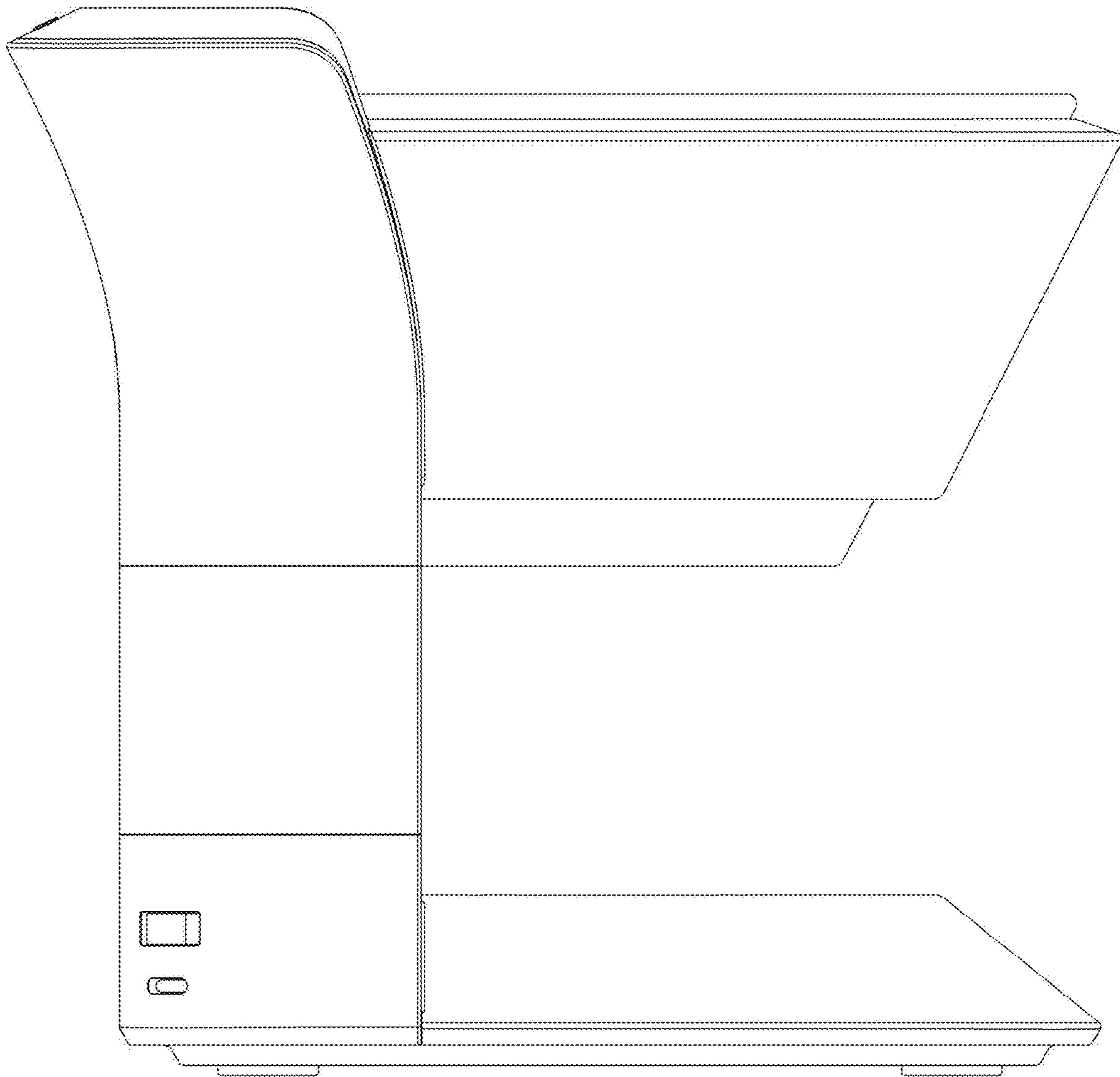
1.2



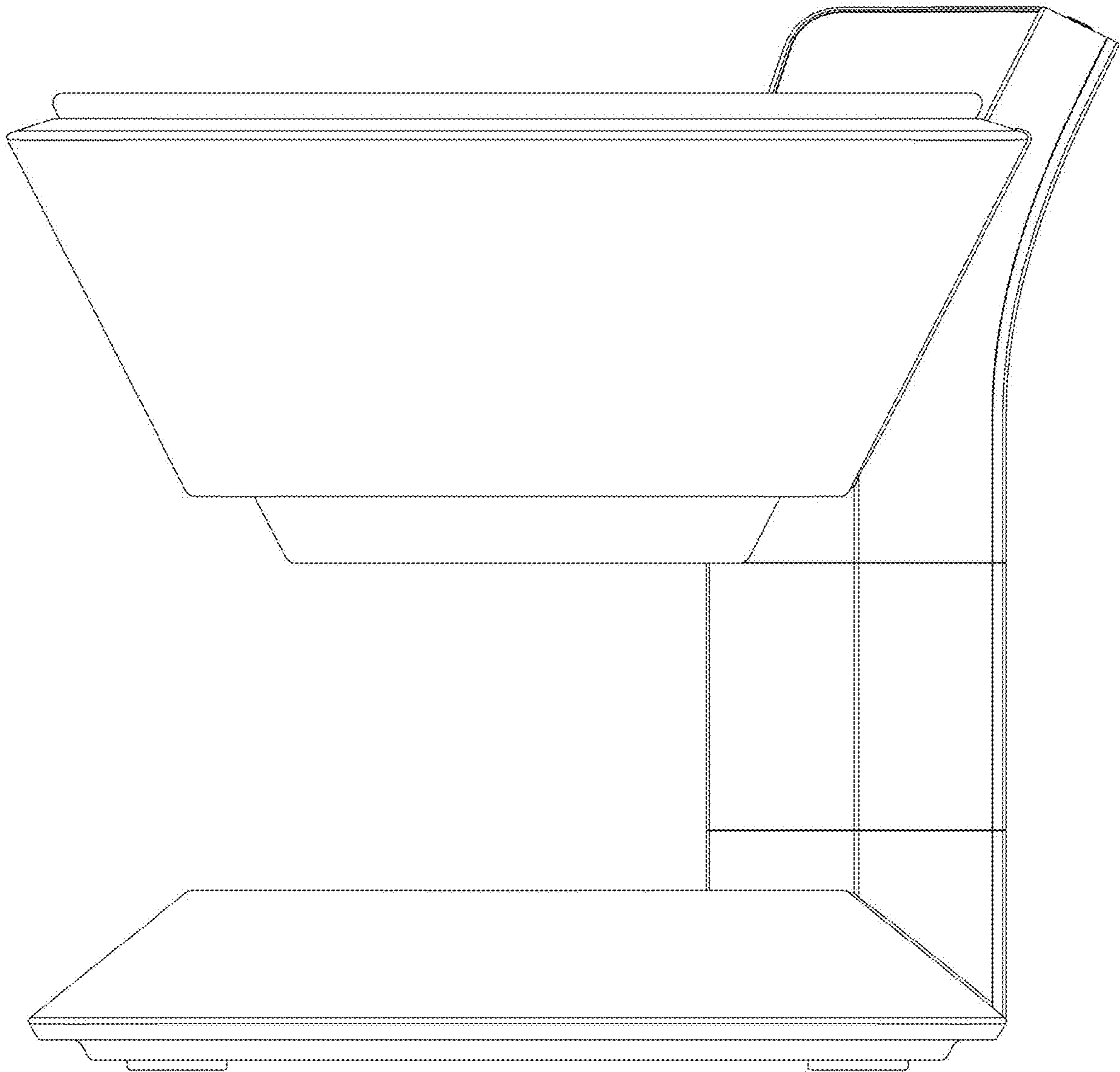
1.3



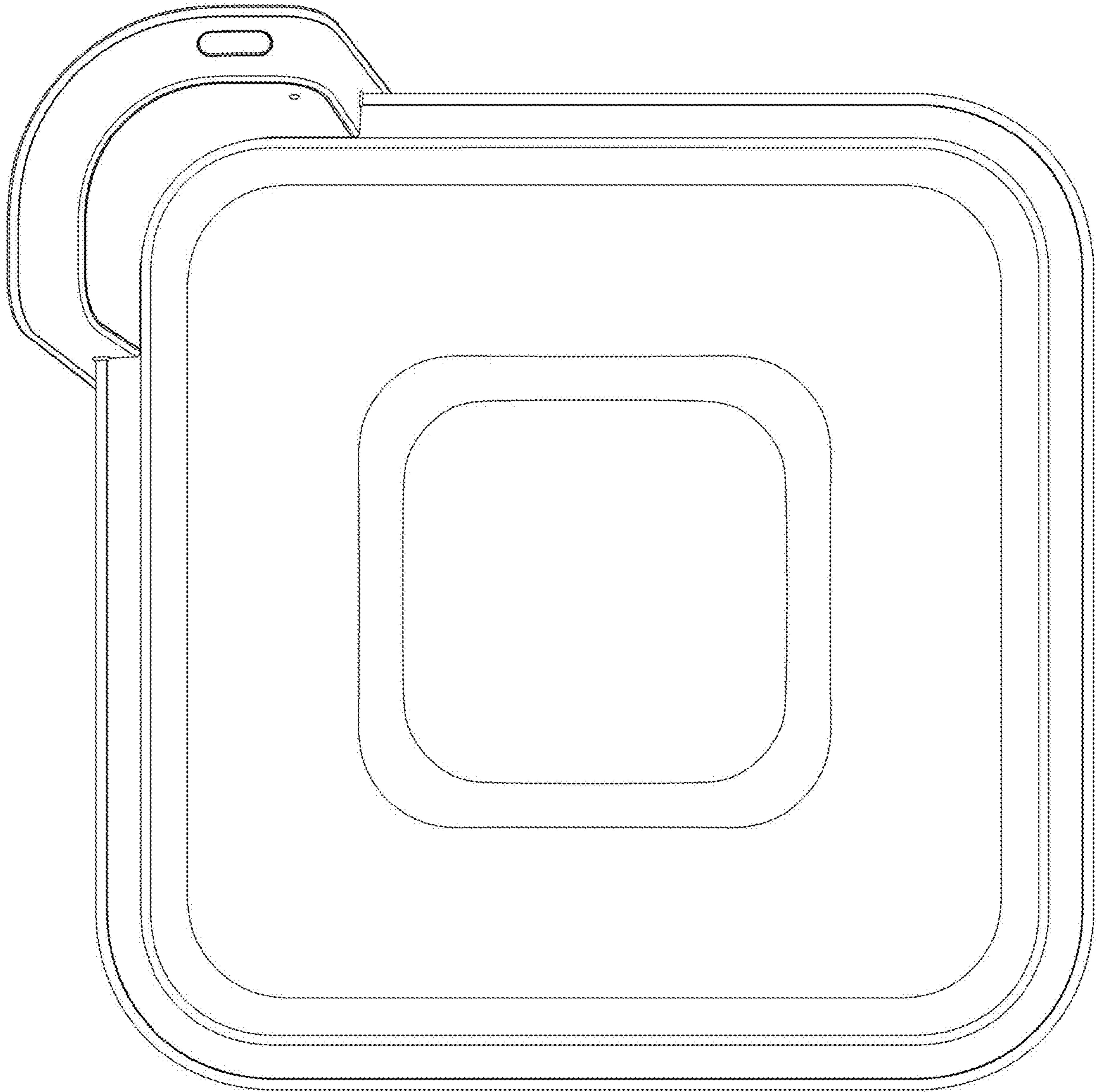
1.4



1.5



1.6



1.7

