



US00D977194S

(12) **United States Design Patent** (10) **Patent No.:** **US D977,194 S**
Yu (45) **Date of Patent:** **** Jan. 31, 2023**

(54) **HAIR STYLER**
(71) Applicant: **Weixi (Shenzhen) Intelligent Technology Co., LTD, Shenzhen (CN)**
(72) Inventor: **Hualong Yu, Shenzhen (CN)**
(73) Assignee: **Weixi (Shenzhen) Intelligent Technology Co., LTD, Shenzhen (CN)**

D957,054 S 7/2022 Yang
2014/0083446 A1* 3/2014 Julemont A45D 7/02
132/229
2018/0055181 A1* 3/2018 Spark A45D 2/001
2018/0192756 A1* 7/2018 Bennett A45D 6/04

(**) Term: **15 Years**
(21) Appl. No.: **29/867,568**
(22) Filed: **Oct. 28, 2022**
(51) **LOC (14) Cl.** **28-03**
(52) **U.S. Cl.**
USPC **D28/35; D28/13**
(58) **Field of Classification Search**
USPC D28/35, 13-15, 18
CPC A45D 2/362; A45D 2/367; A45D 2/36;
A45D 20/48-50; A45D 2001/008; A45D
2001/004; A45D 2001/045; A45D 1/00;
A45D 1/04; A45D 1/28; A45D 1/08
See application file for complete search history.

FOREIGN PATENT DOCUMENTS

GB 2527834 A * 1/2016 A45D 1/04
GB 2602799 A * 7/2022 A45D 20/10
WO WO-2022028503 A1 * 2/2022 A45D 2/367

OTHER PUBLICATIONS

Dyson Airwrap Multi Styler, www.ultra.com, reviewed as early as Jul. 2022, 1 page (Year: 2022).
Conair Instant Heat Styling Brush, 3/4-Inch, from Amazon.com, printed on Oct. 28, 2022.
Hot Tools Pro Signature Detachable One Step Volumizer and Hair Dryer | Style, Dry & Brush (1.0 Small), from Amazon.com, printed on Oct. 28, 2022.

(Continued)

Primary Examiner — Jennifer Rivard
(74) *Attorney, Agent, or Firm* — Vladimir Postnikov

(57) **CLAIM**

The ornamental design for a hair styler, as shown and described.

DESCRIPTION

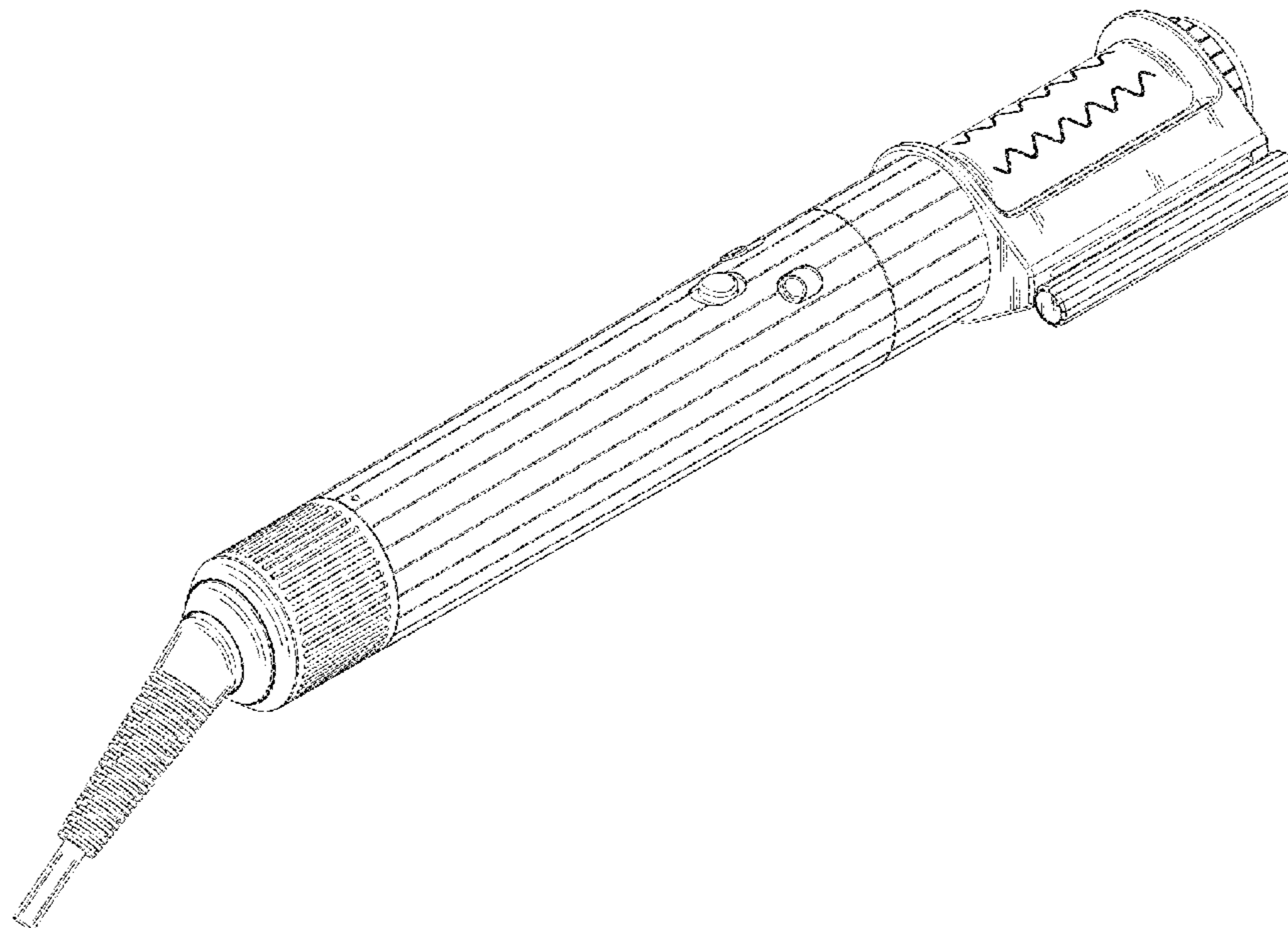
FIG. 1 is a front elevation view of a hair styler showing the new design;
FIG. 2 is a back elevation view thereof;
FIG. 3 is a left-side view thereof;
FIG. 4 is a right-side view thereof;
FIG. 5 is a top plan view thereof;
FIG. 6 is a bottom plan view thereof;
FIG. 7 is a perspective view thereof; and,
FIG. 8 is a perspective view thereof.

1 Claim, 8 Drawing Sheets

(56) **References Cited**

U.S. PATENT DOCUMENTS

D455,226 S 4/2002 McCurrac
D672,089 S 12/2012 Julémont
D729,450 S 5/2015 Van Maanen
D833,676 S 11/2018 Lee
D848,067 S * 5/2019 Heffer D28/18
D848,068 S * 5/2019 Heffer D28/18
D850,001 S * 5/2019 Coulton D28/18
D853,637 S * 7/2019 Coulton D28/18
D853,638 S * 7/2019 Tappenden D28/18
D875,311 S 2/2020 Yang
D885,663 S * 5/2020 Flynn D28/13
D909,064 S * 2/2021 Huang D28/35



(56)

References Cited

OTHER PUBLICATIONS

Hair Straightener and Curler 2 in 1, Straightener and Curling Iron in One, Flat Iron Hair Straightener, Flat Irons for African American Hair, Curling Straightening Iron—1 inch/Gold, from Amazon.com, printed on Oct. 28, 2022.

L'ange Hair Ondulé Titanium Curling Wand | Professional Hot Tools Curling Iron 1.25 Inch | Salon Hair Styling Wands for Beach Waves | Best Hair Curler Wand for Frizz-Free, Lasting Curls | Blush 32 MM, from Amazon.com, printed on Oct. 28, 2022.

* cited by examiner

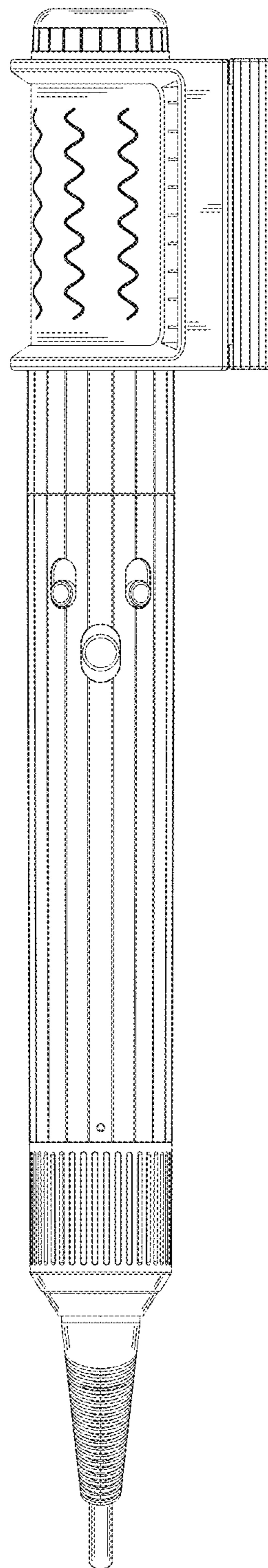


FIG. 1

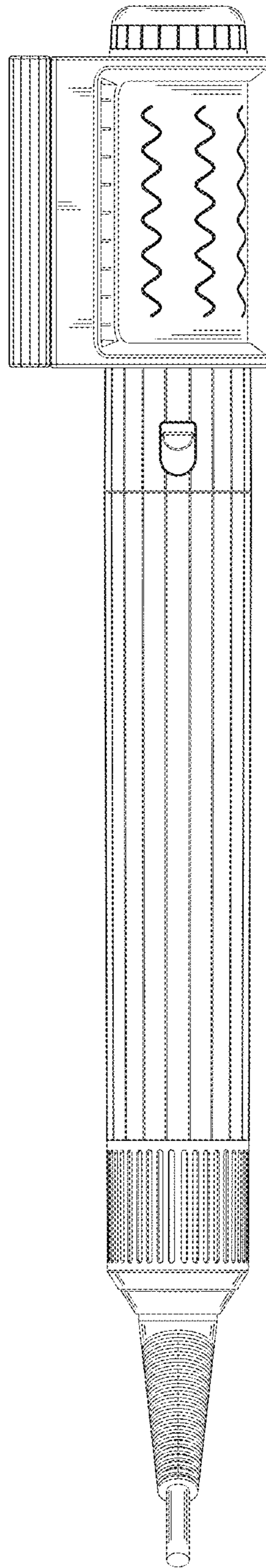


FIG. 2

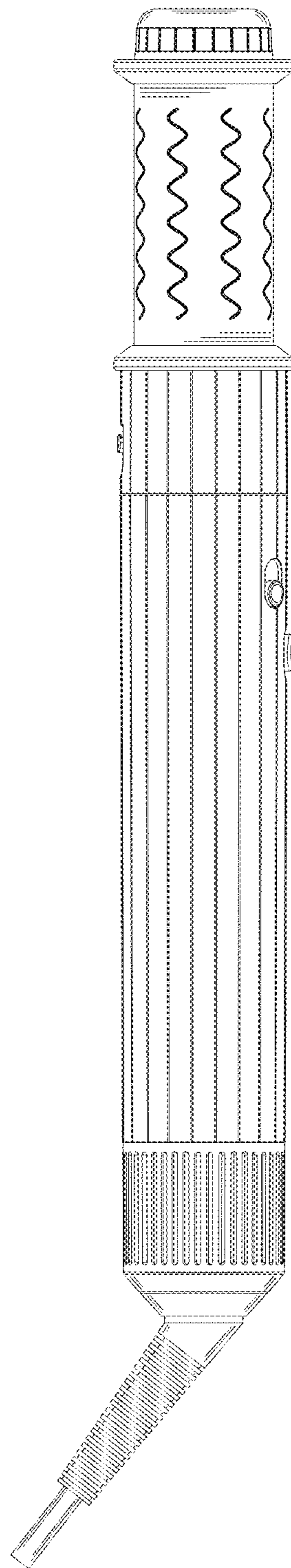


FIG. 3

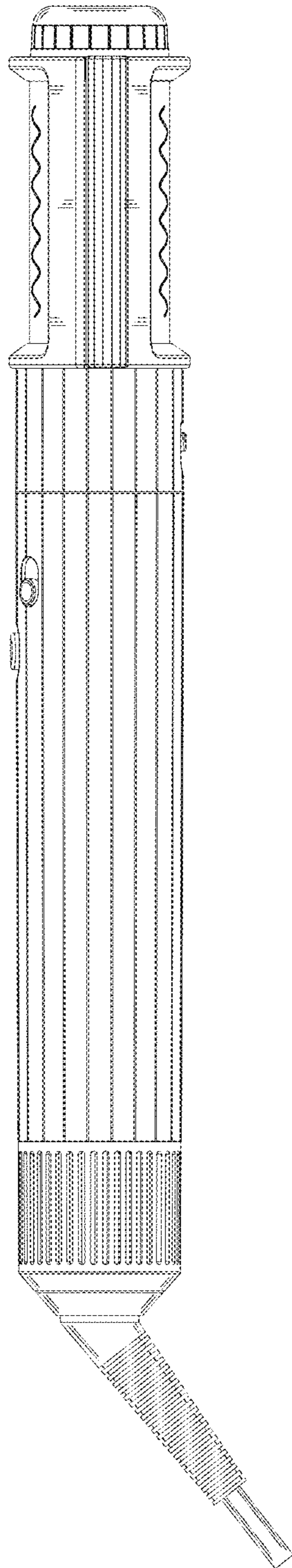


FIG. 4

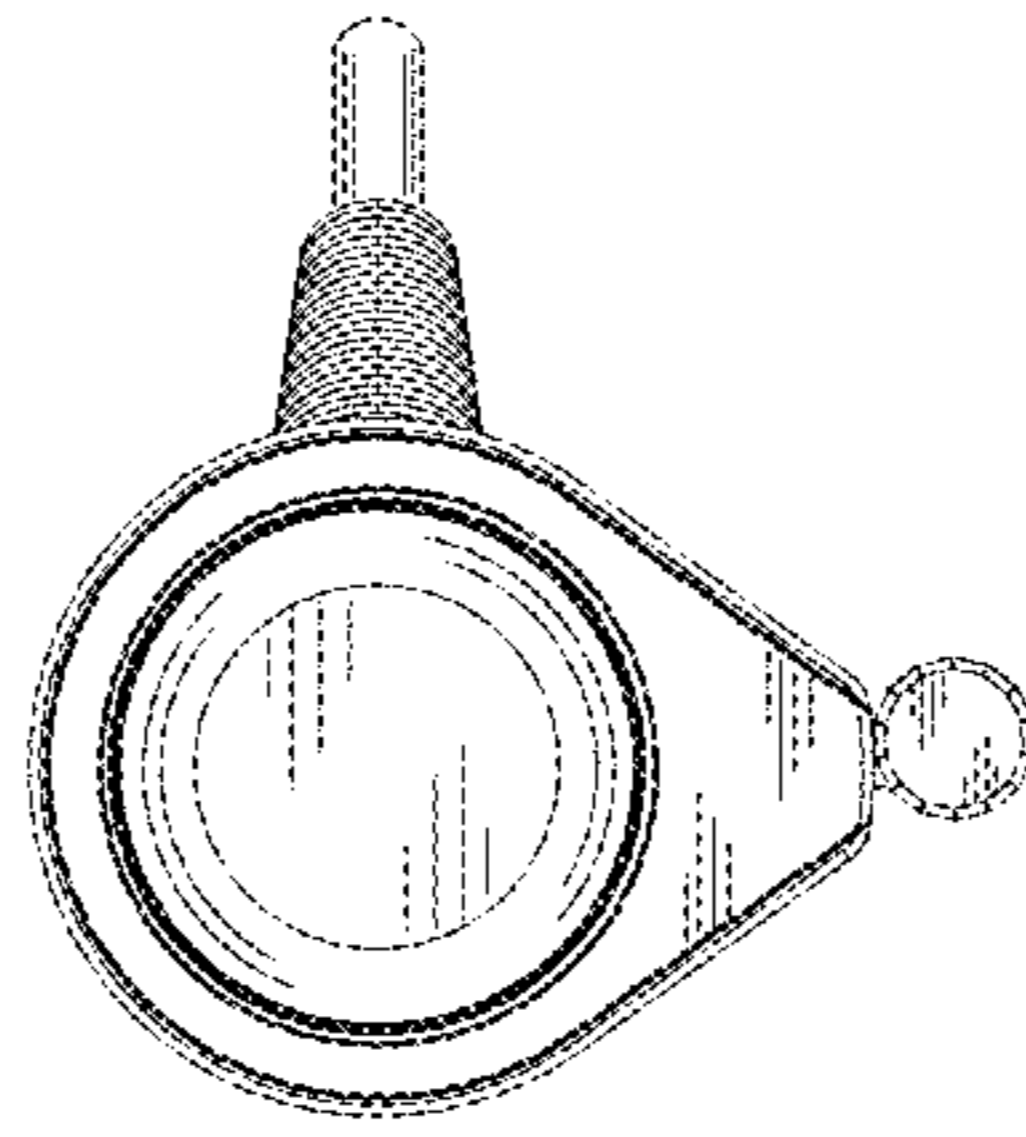


FIG. 5

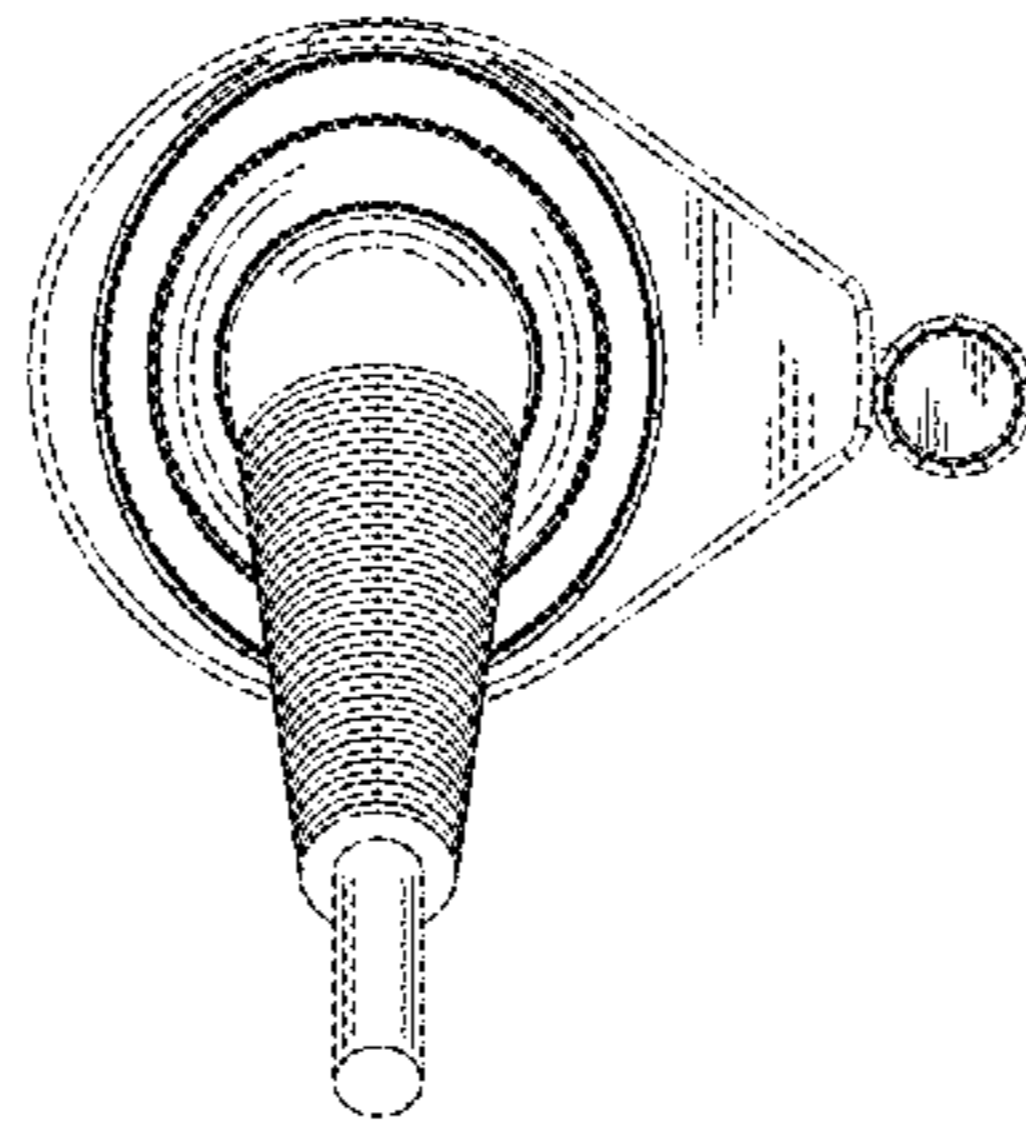


FIG. 6

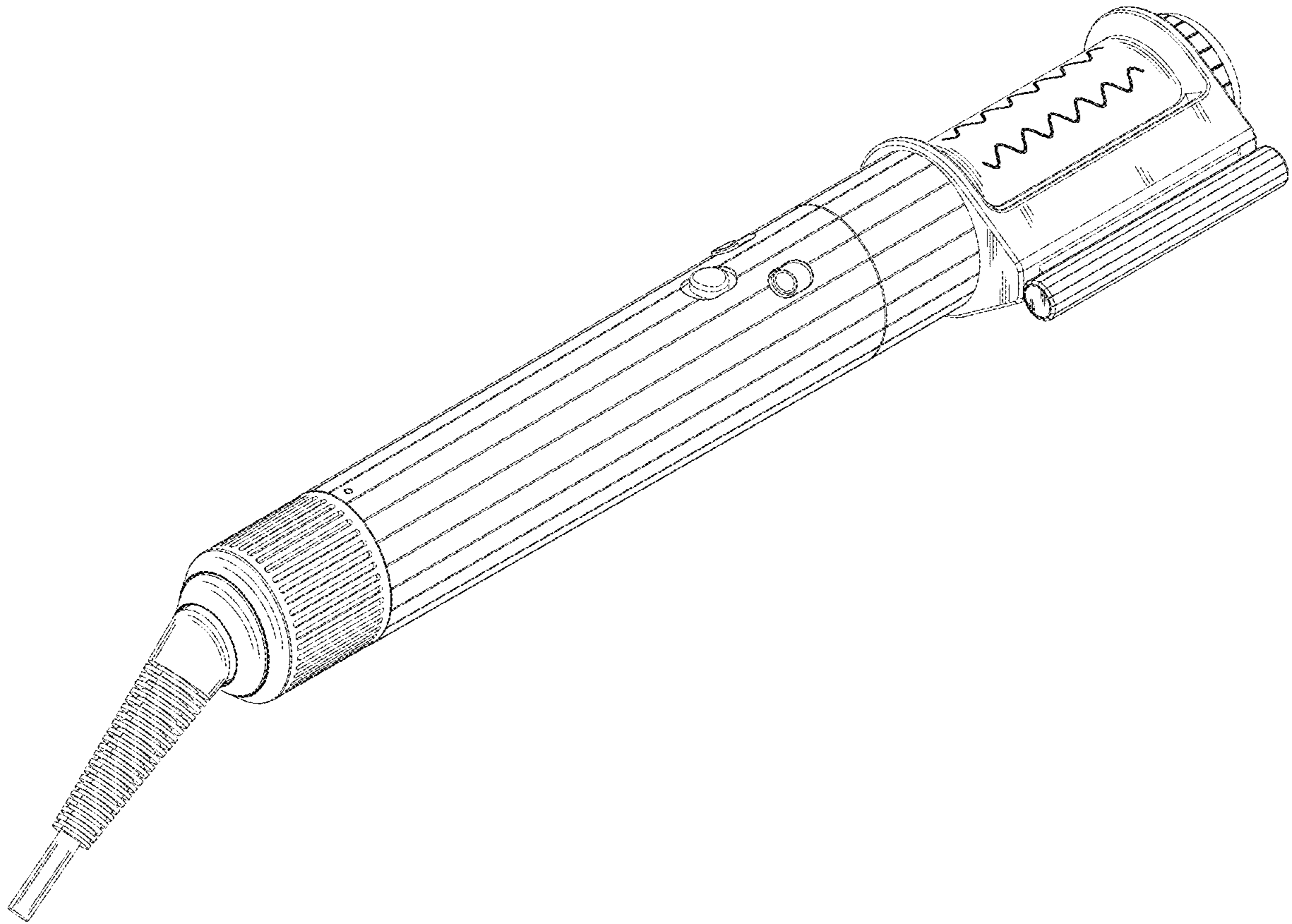


FIG. 7

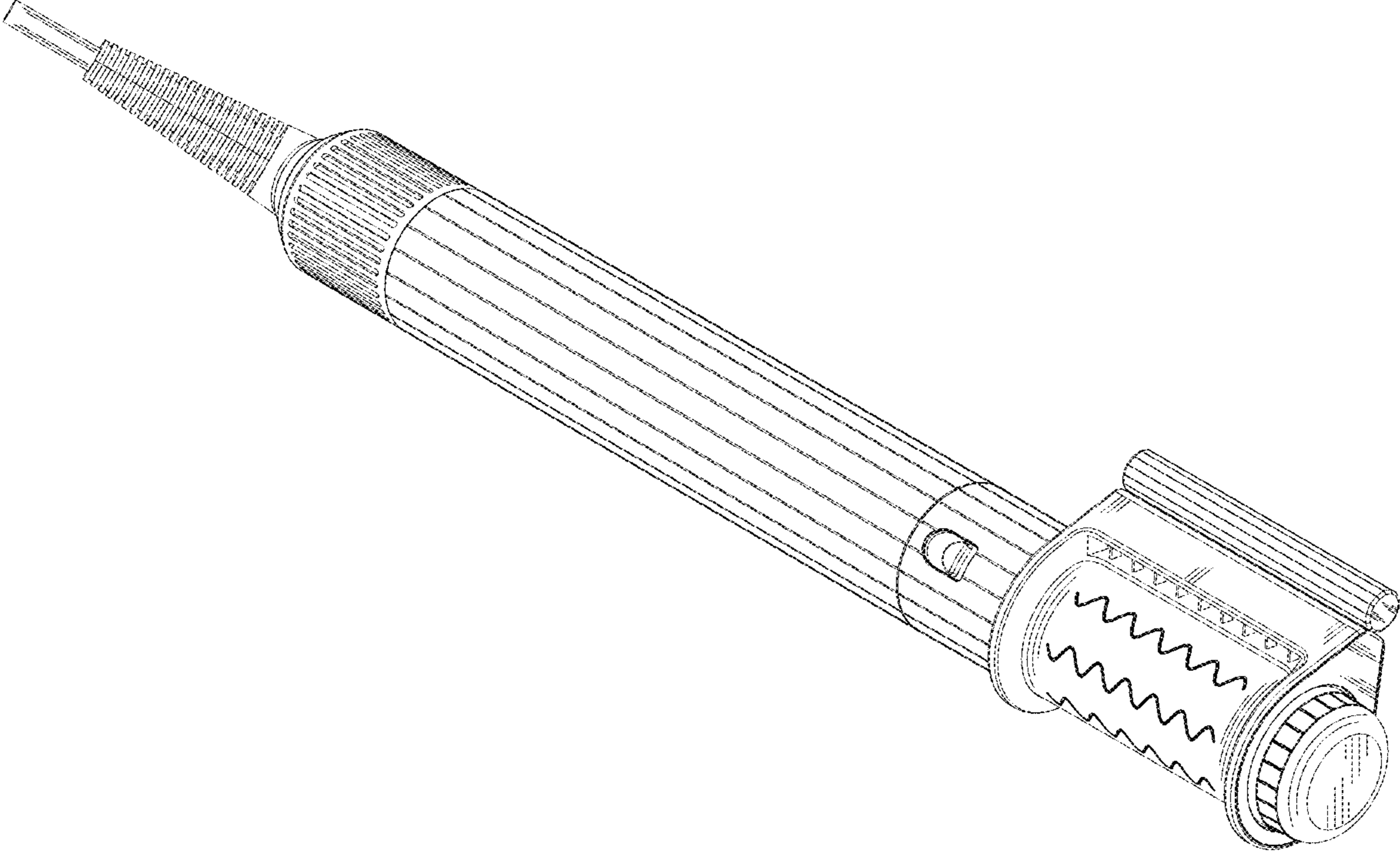


FIG. 8