



US00D977193S

(12) **United States Design Patent** (10) **Patent No.:** **US D977,193 S**
Du (45) **Date of Patent:** **** Jan. 31, 2023**

(54) **HAIR CURLER**
(71) Applicant: **DONGGUAN JIALI INTELLIGENT TECHNOLOGY CO., LTD.,**
Dongguan (CN)

D884,271 S * 5/2020 Liao D28/35
D886,374 S * 6/2020 Hein D28/35
D899,687 S 10/2020 Chen
D943,203 S * 2/2022 Chandra D28/35
2018/0168309 A1* 6/2018 Chelle A45D 1/04
2018/0249801 A1* 9/2018 Aizenberg A45D 2/367

(72) Inventor: **Chenghu Du, Jingmen (CN)**
(73) Assignee: **DONGGUAN JIALI INTELLIGENT TECHNOLOGY CO., LTD.,**
Dongguan (CN)

OTHER PUBLICATIONS

SinglePass Curl Ceramic Curling Iron, www.ulta.com, reviewed 2017, 1 page (Year: 2017).*
SmoothStay Coconut oil infused curling iron, www.ulta.com, 1 page, first reviewed Oct. 2022 (Year: 2022).*

(**) Term: **15 Years**

* cited by examiner

(21) Appl. No.: **29/853,417**

Primary Examiner — Jennifer Rivard

(22) Filed: **Sep. 15, 2022**

(74) *Attorney, Agent, or Firm* — Daniel M. Cohn;
Howard M. Cohn

(51) **LOC (14) Cl.** **28-03**

(52) **U.S. Cl.**
USPC **D28/35**

(57) **CLAIM**

(58) **Field of Classification Search**
USPC D28/35, 13–15, 18
CPC A45D 2/362; A45D 2/367; A45D 2/36;
A45D 20/48–50; A45D 2001/008; A45D
2001/004; A45D 2001/045; A45D 1/00;
A45D 1/04; A45D 1/28; A45D 1/08
See application file for complete search history.

The ornamental design for a hair curler, as shown and described.

DESCRIPTION

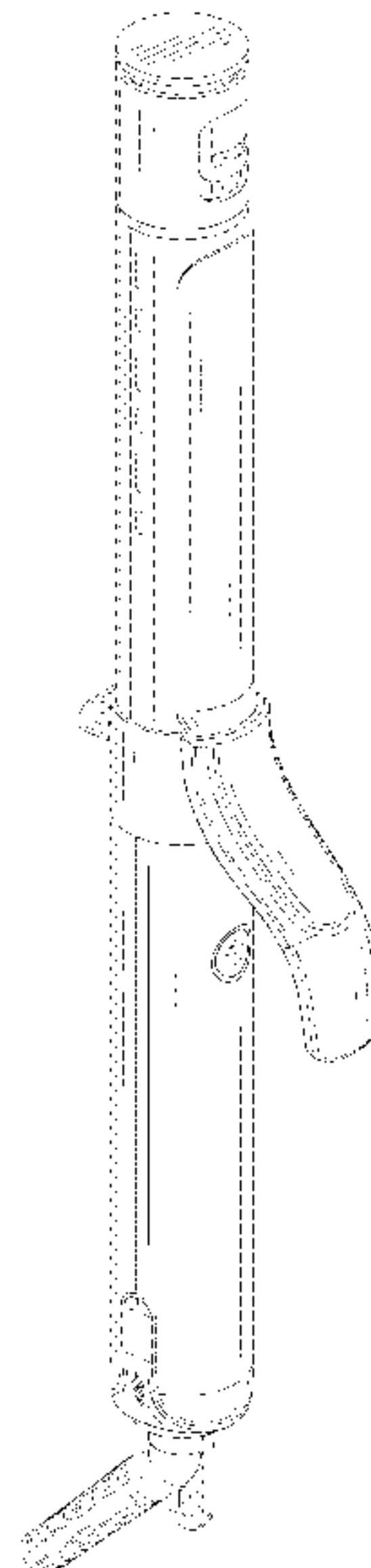
(56) **References Cited**

U.S. PATENT DOCUMENTS

D254,812 S * 4/1980 MacGregor D28/35
D280,243 S * 8/1985 Khaja D28/35
D281,823 S * 12/1985 Sherman D28/35
D293,610 S * 1/1988 Steinkamp D28/35
D618,394 S * 6/2010 Keong D28/35
D698,488 S * 1/2014 Byun D28/35
D726,961 S * 4/2015 Sayers D28/35
D748,331 S * 1/2016 Prats D28/35
D786,506 S * 5/2017 Ceva D28/35
D821,031 S * 6/2018 Feng D28/35
D833,676 S * 11/2018 Lee D28/35
D857,292 S 8/2019 Hu

FIG. 1 is a perspective view of a hair curler showing my new design;
FIG. 2 is another perspective view thereof;
FIG. 3 is a front elevational view thereof;
FIG. 4 is a rear elevational view thereof;
FIG. 5 is a left side elevational view thereof;
FIG. 6 is a right side elevational view thereof;
FIG. 7 is a top plan view thereof;
FIG. 8 is a bottom plan view thereof; and,
FIG. 9 is an enlarged view of portion 9 shown in FIG. 2.
The dash-dash broken lines in the drawings depict portions of the hair curler that form no part of the claimed design. The dot-dash broken lines represent boundaries of the enlarged portion and form no part of the claimed design.

1 Claim, 9 Drawing Sheets



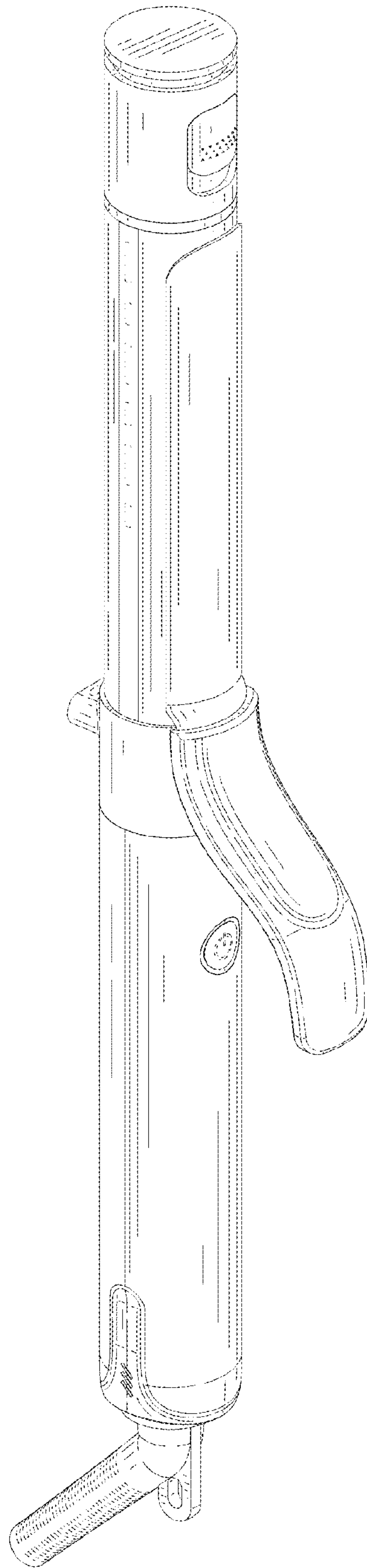


FIG. 1

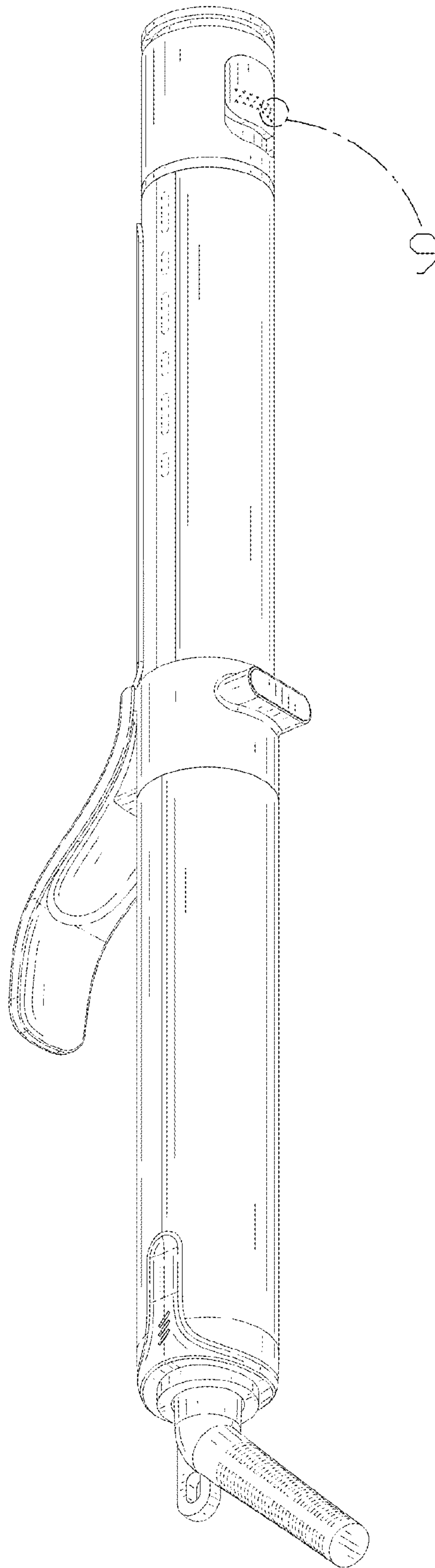


FIG. 2

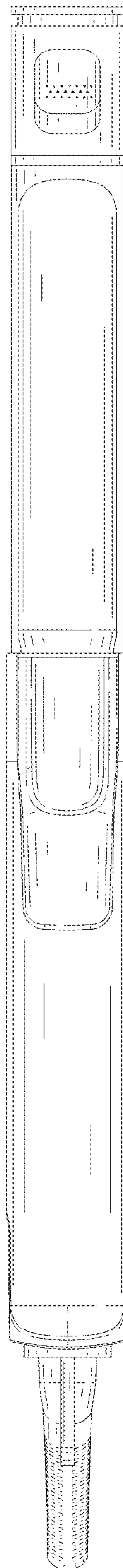


FIG. 3

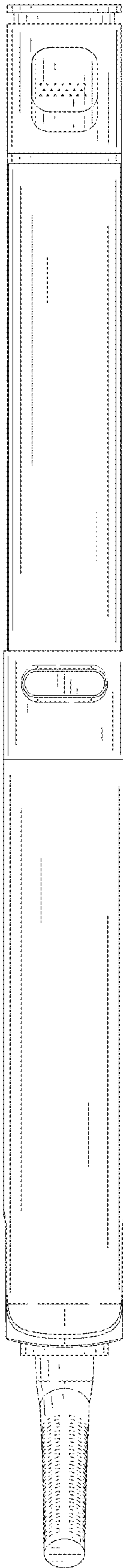


FIG. 4

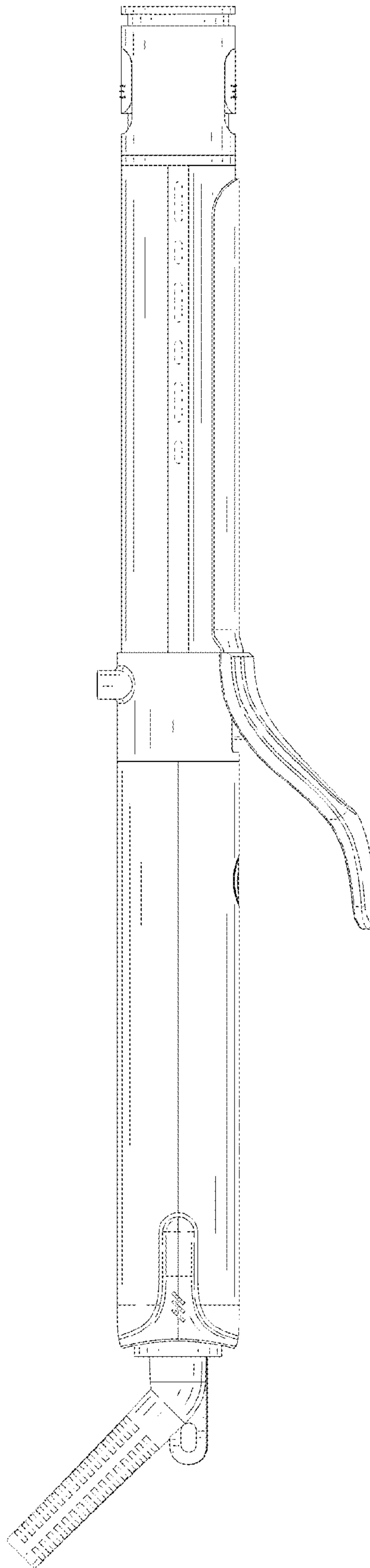


FIG. 5

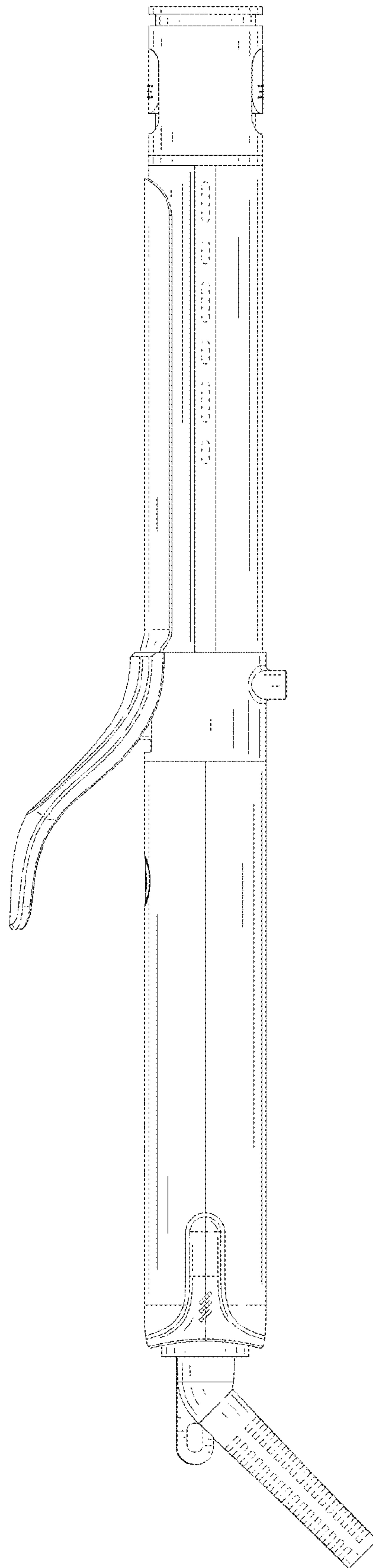


FIG. 6

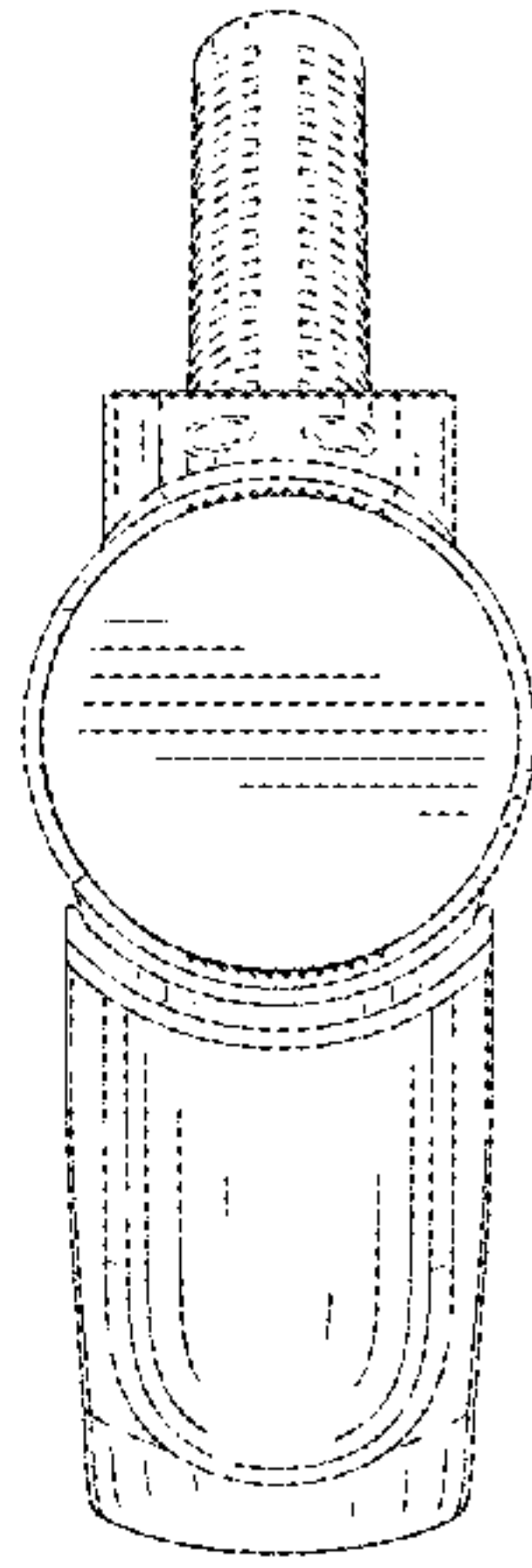


FIG. 7

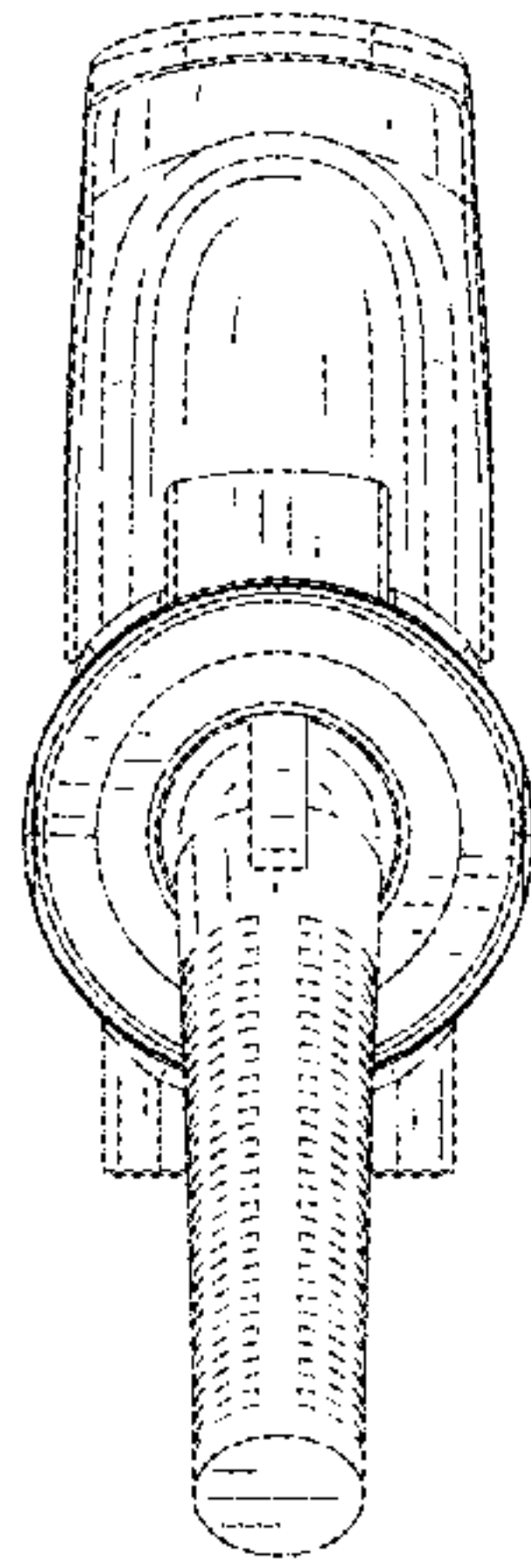


FIG. 8

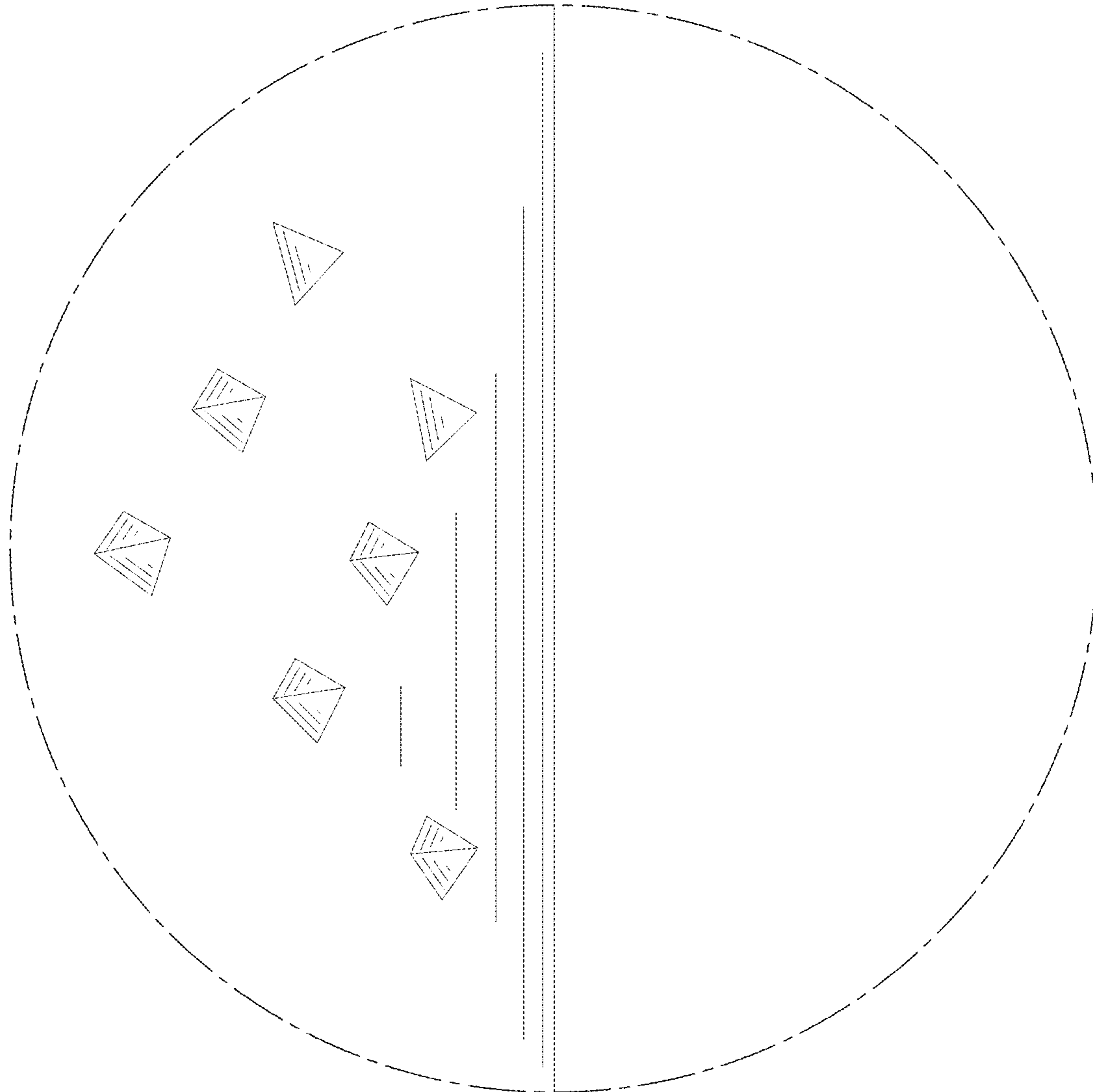


FIG. 9