



US00D977192S

(12) **United States Design Patent**  
**Niles**

(10) **Patent No.:** **US D977,192 S**

(45) **Date of Patent:** **\*\* Jan. 31, 2023**

(54) **LOTION APPLICATOR**

(71) Applicant: **BAKSCAPE HOLDING CORP.**,  
Spruce Grove (CA)

(72) Inventor: **Martin S. Niles**, Spruce Grove (CA)

(73) Assignee: **BAKSCAPE HOLDING CORP.**,  
Spruce Grove (CA)

(\*\*) Term: **15 Years**

(21) Appl. No.: **29/778,503**

(22) Filed: **Apr. 13, 2021**

(51) **LOC (14) Cl.** ..... **28-03**

(52) **U.S. Cl.**  
USPC ..... **D28/7**

(58) **Field of Classification Search**  
USPC ..... D28/7, 99; D32/40, 45  
CPC ..... A45D 2200/1009; A45D 2200/1081  
See application file for complete search history.

(56) **References Cited**

**U.S. PATENT DOCUMENTS**

D424,238 S \* 5/2000 Davis ..... D28/7  
D447,279 S \* 8/2001 Altobellis ..... D28/7  
D572,407 S \* 7/2008 Cook ..... D28/7

D613,906 S \* 4/2010 Moyer ..... D28/7  
D617,944 S \* 6/2010 Gonzalez ..... D28/7  
D625,467 S \* 10/2010 Dickman ..... D28/7  
8,141,565 B2 \* 3/2012 Slavin ..... A47K 7/03  
132/320  
D928,408 S \* 8/2021 Meng ..... D4/134

\* cited by examiner

*Primary Examiner* — Zenia I Bennett

(74) *Attorney, Agent, or Firm* — Robert A. Nissen

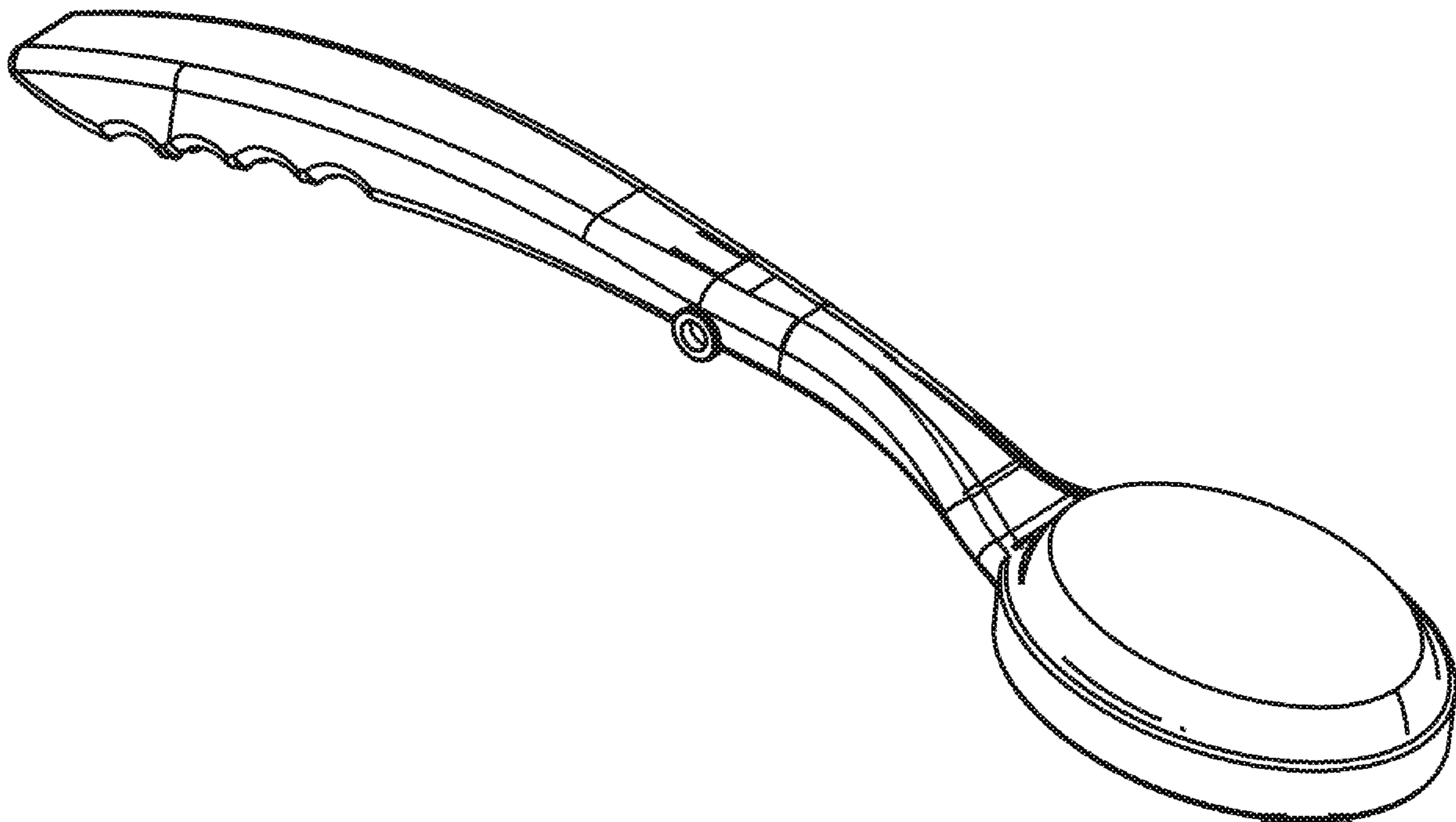
(57) **CLAIM**

The ornamental design for a lotion applicator, as shown and described.

**DESCRIPTION**

FIG. 1 is a perspective view of a lotion applicator;  
FIG. 2 is a front end view of the lotion applicator shown in FIG. 1;  
FIG. 3 is a rear end view of the lotion applicator shown in FIG. 1;  
FIG. 4 is a top plan view of the lotion applicator shown in FIG. 1;  
FIG. 5 is a bottom plan view of the lotion applicator shown in FIG. 1;  
FIG. 6 is a first side view of the lotion applicator shown in FIG. 1; and,  
FIG. 7 is a second side view of the lotion applicator shown in FIG. 1.

**1 Claim, 3 Drawing Sheets**



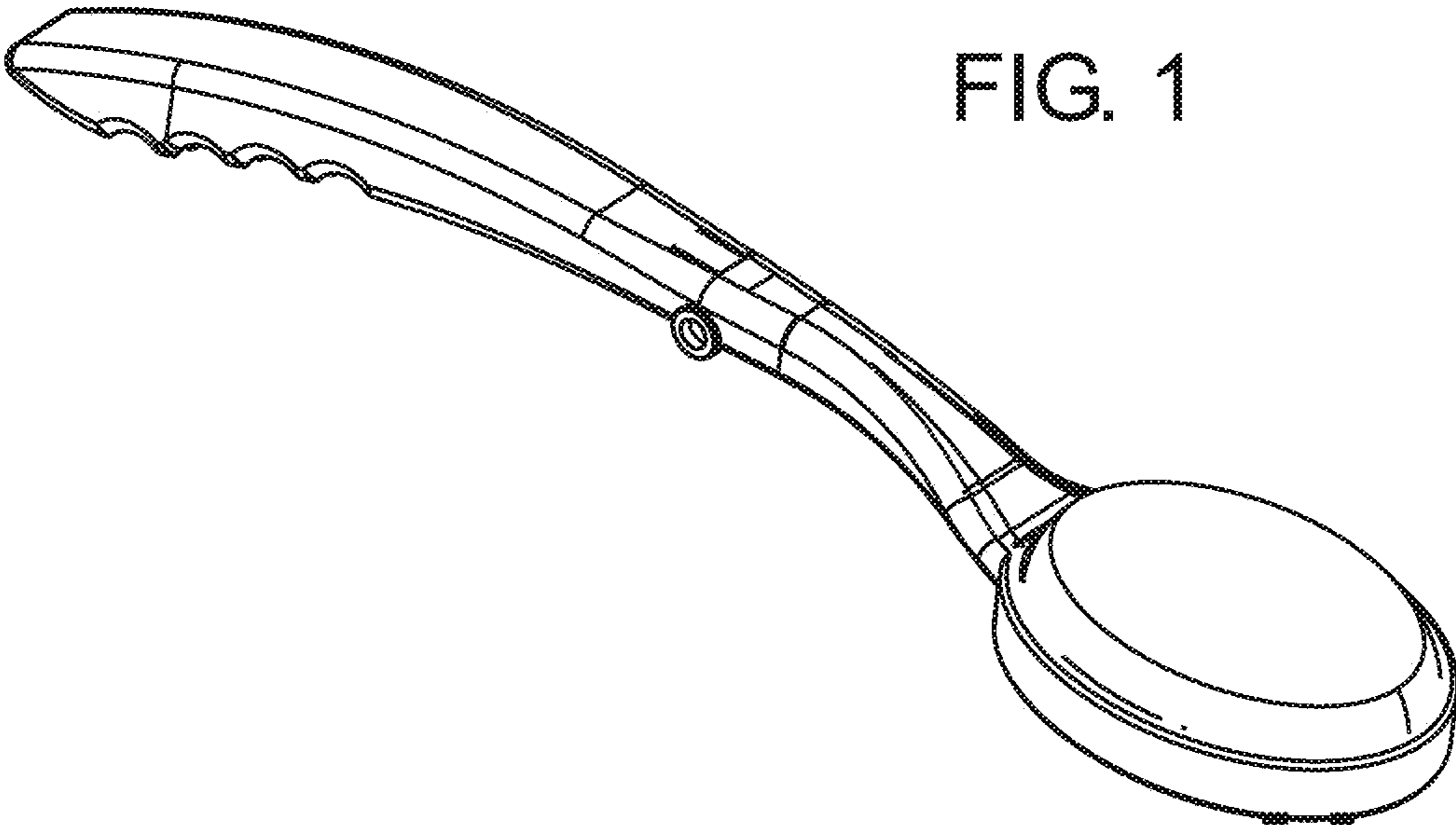


FIG. 1

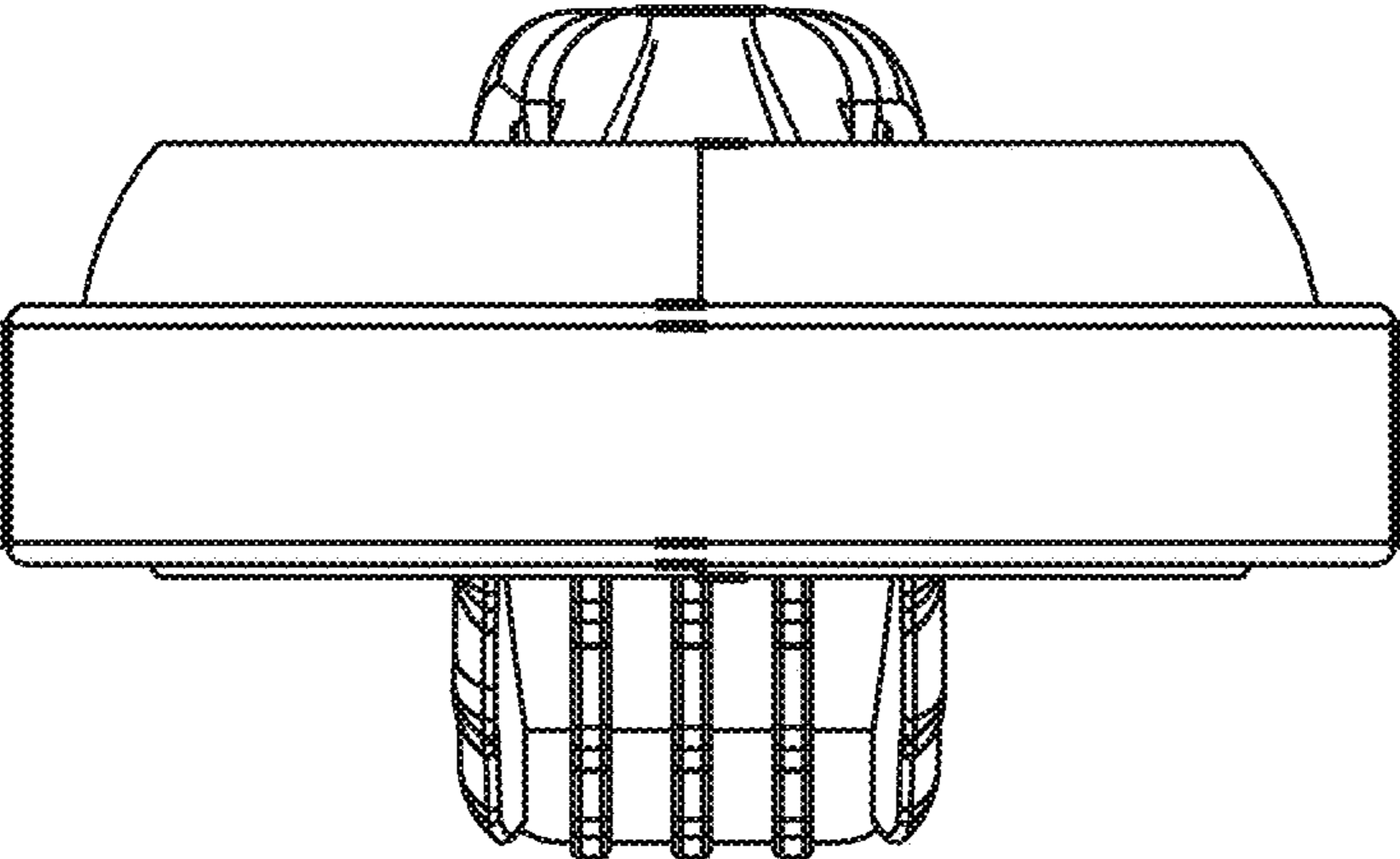


FIG. 2

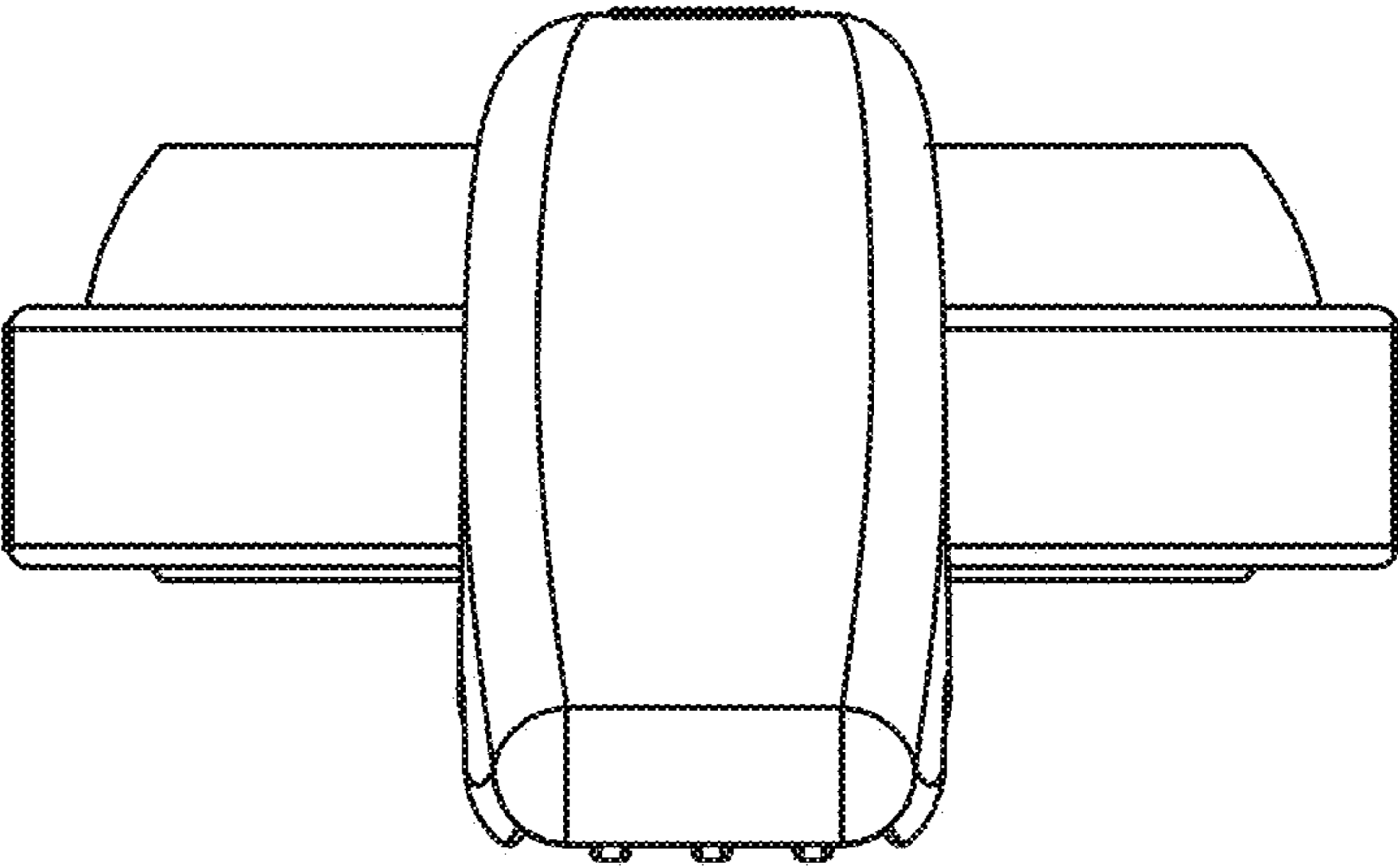


FIG. 3

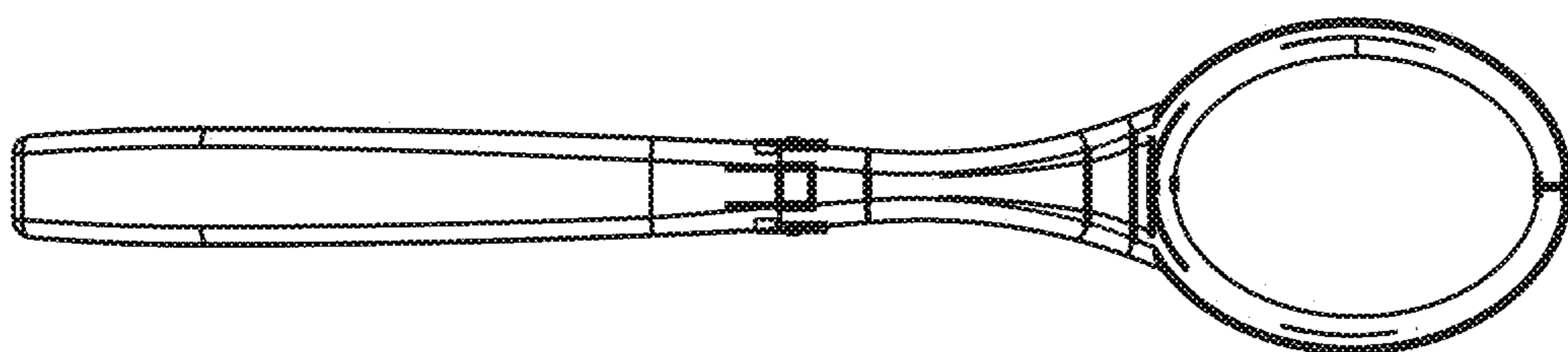


FIG. 4

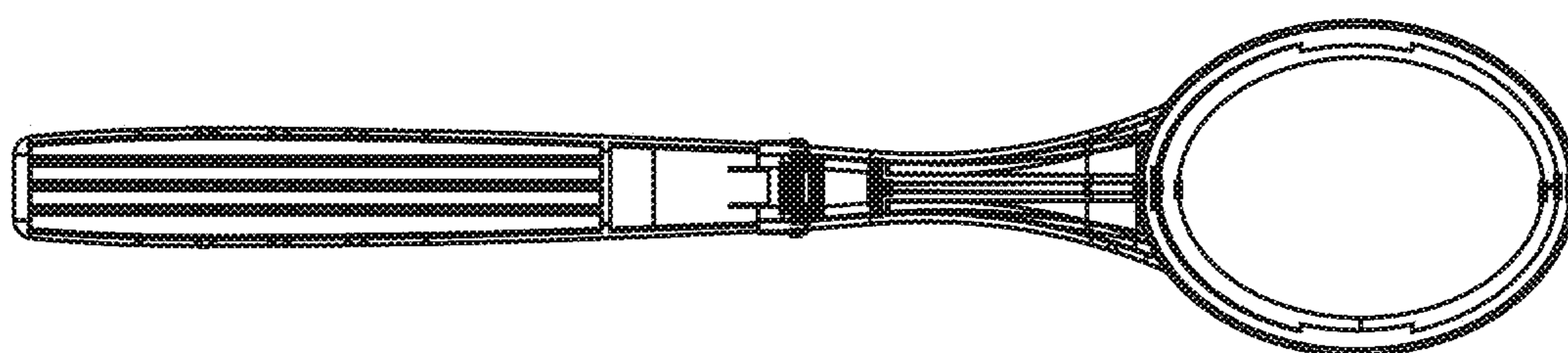


FIG. 5

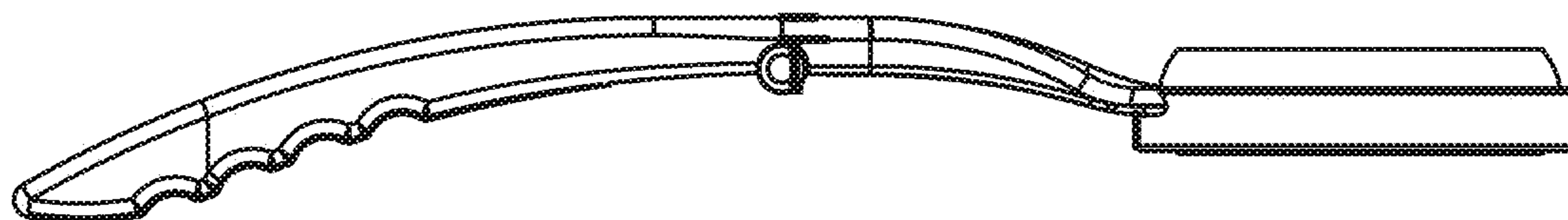


FIG. 6

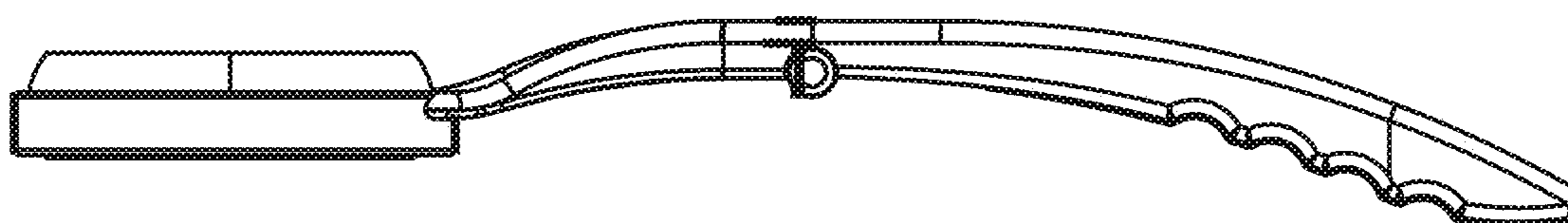


FIG. 7