

US00D977190S

(12) **United States Design Patent**
Nestor

(10) **Patent No.:** **US D977,190 S**

(45) **Date of Patent:** **** Jan. 31, 2023**

(54) **COSMETIC APPLICATOR**

(71) Applicant: **Joyfully You, LLC**, Miami Beach, FL
(US)

(72) Inventor: **Marissa Joy Nestor**, Miami Beach, FL
(US)

(73) Assignee: **JOYFULLY YOU, LLC**, Miami
Beach, FL (US)

(**) Term: **15 Years**

(21) Appl. No.: **29/745,213**

(22) Filed: **Aug. 4, 2020**

(51) **LOC (14) Cl.** **28-03**

(52) **U.S. Cl.**
USPC **D28/7**

(58) **Field of Classification Search**
USPC D28/7, 8, 76, 85, 99; D9/723-729
CPC A45D 2200/10; A45D 2200/1009; A45D
2200/1018
See application file for complete search history.

(56) **References Cited**

U.S. PATENT DOCUMENTS

D350,895 S * 9/1994 Lang D28/7
D456,952 S * 5/2002 Sakurai D28/76
D522,879 S * 6/2006 Chadfield D9/727

D534,082 S * 12/2006 Chadfield D9/729
D534,433 S * 1/2007 Chadfield D9/723
D534,812 S * 1/2007 Chadfield D9/723
D537,364 S * 2/2007 Chadfield D9/729
D837,067 S * 1/2019 Sawada D9/503
D942,693 S * 2/2022 Zeng D9/504

* cited by examiner

Primary Examiner — Zenia I Bennett

(74) *Attorney, Agent, or Firm* — Mark C. Johnson;
Johnson Dalal

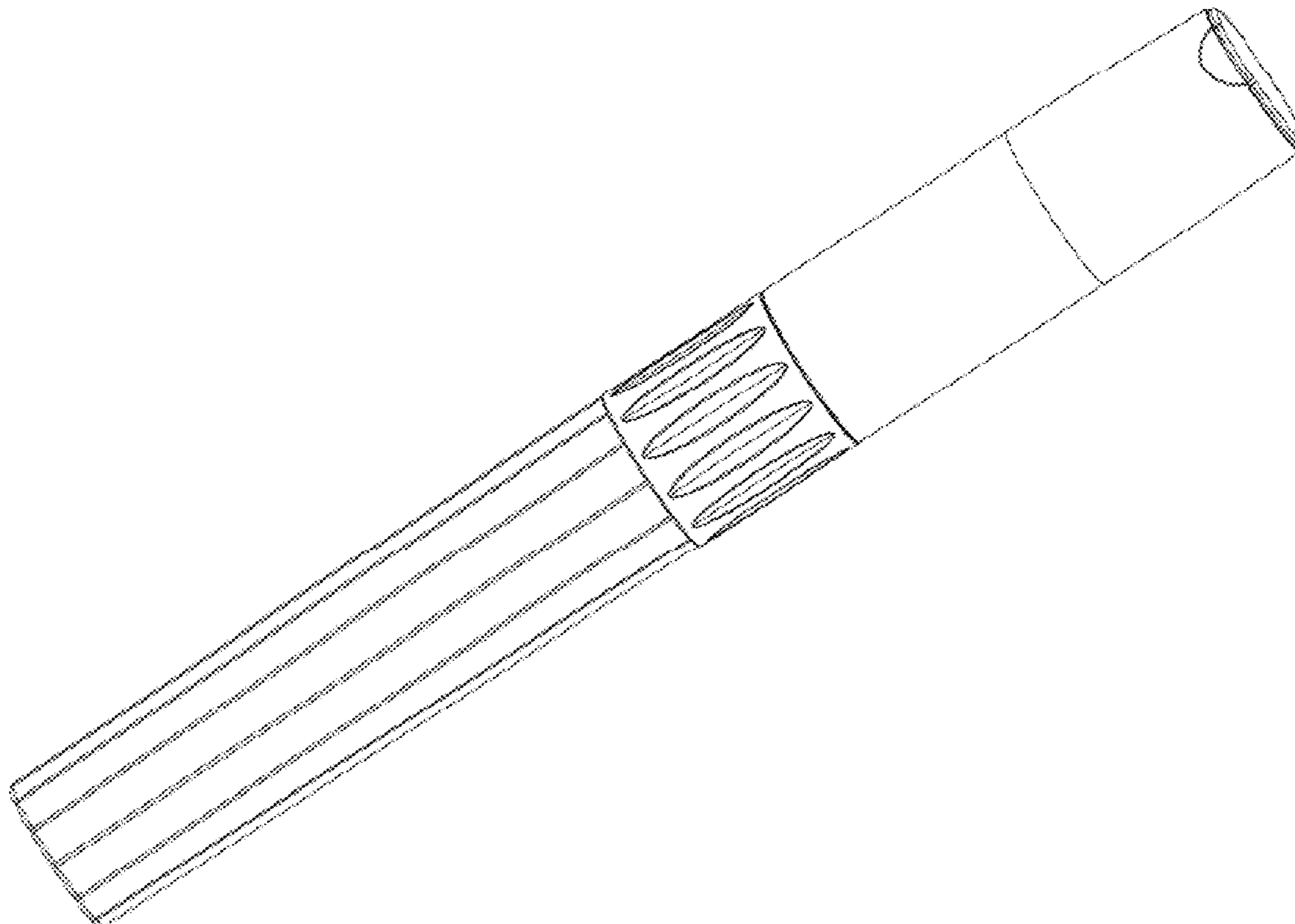
(57) **CLAIM**

The ornamental design for a cosmetic applicator, as shown
and described.

DESCRIPTION

FIG. 1 is a perspective view of a cosmetic applicator in
accordance with the present invention;
FIG. 2 is a right-side elevational view of the cosmetic
applicator in FIG. 1;
FIG. 3 is a left-side elevational view of the cosmetic
applicator in FIG. 1;
FIG. 4 is a front elevational view of the cosmetic applicator
in FIG. 1;
FIG. 5 is a rear elevational view of the cosmetic applicator
in FIG. 1;
FIG. 6 is a bottom plan view of the cosmetic applicator in
FIG. 1; and,
FIG. 7 is a top plan view of the cosmetic applicator in FIG.
1.

1 Claim, 1 Drawing Sheet



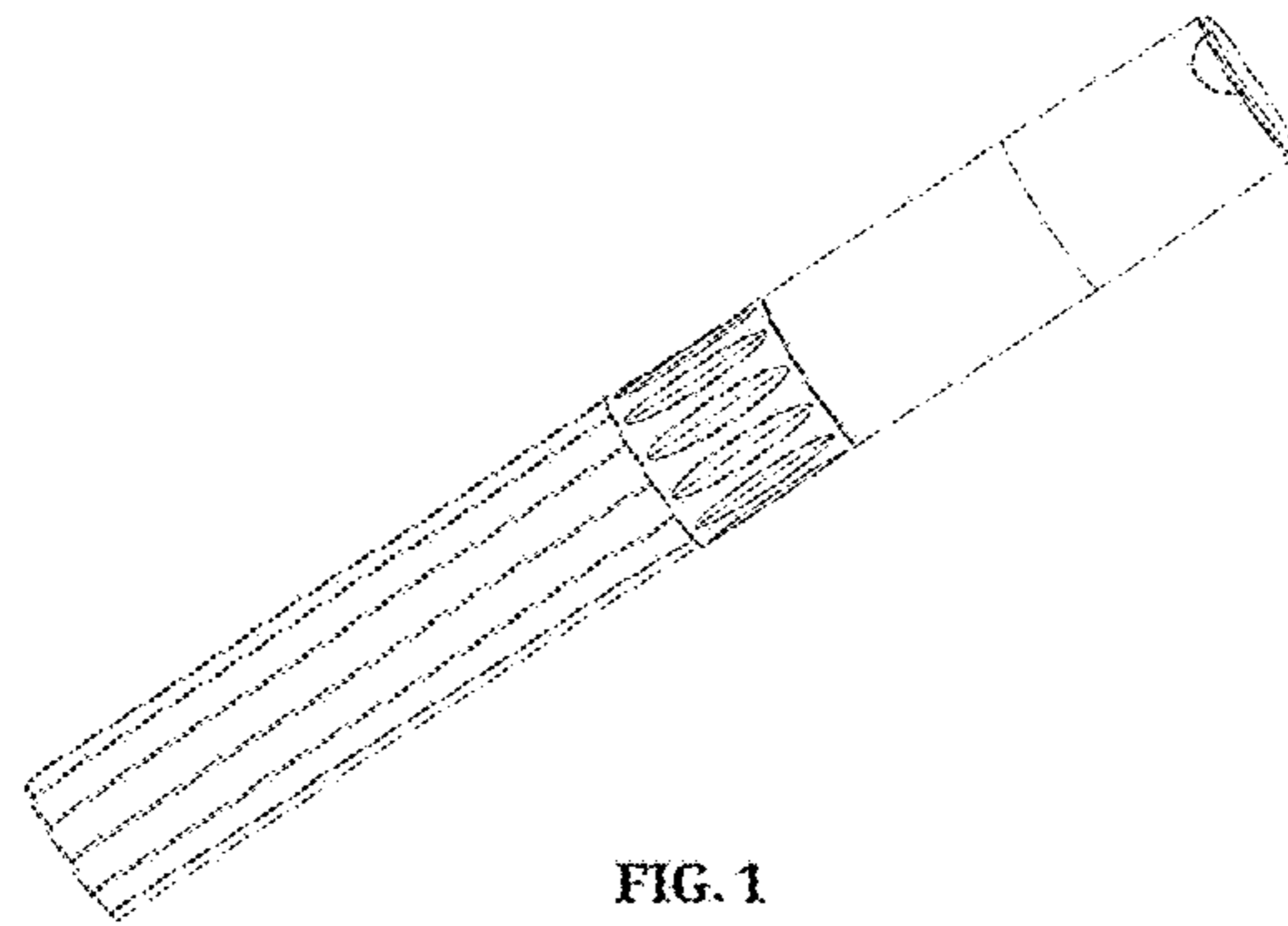


FIG. 1

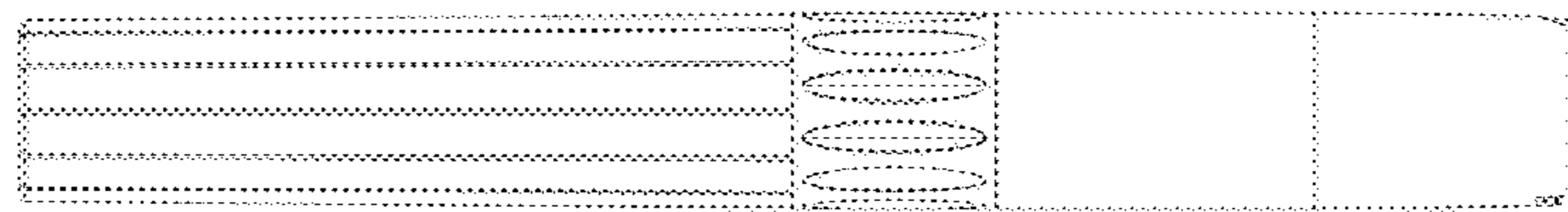


FIG. 2

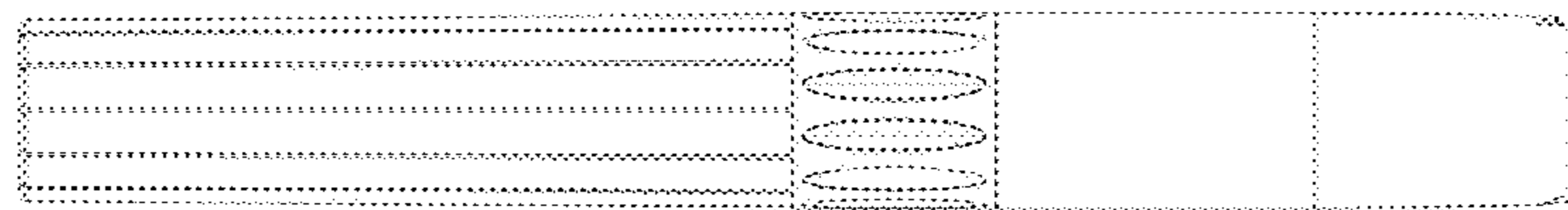


FIG. 3

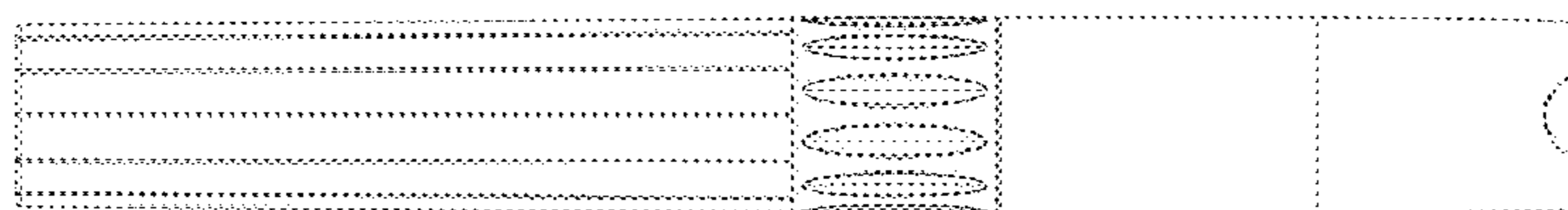


FIG. 4

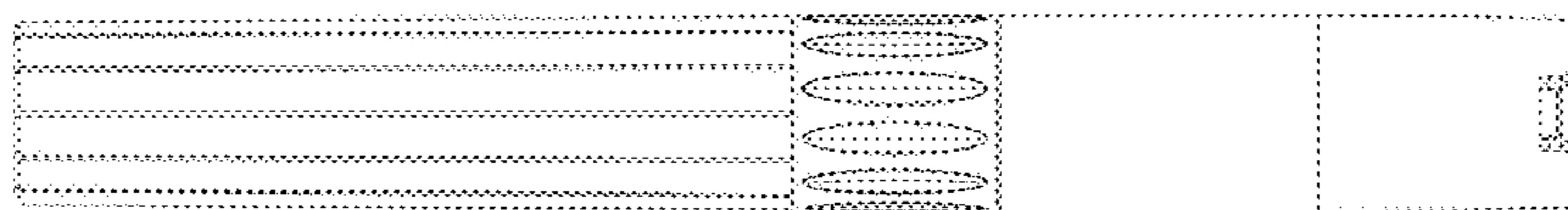


FIG. 5

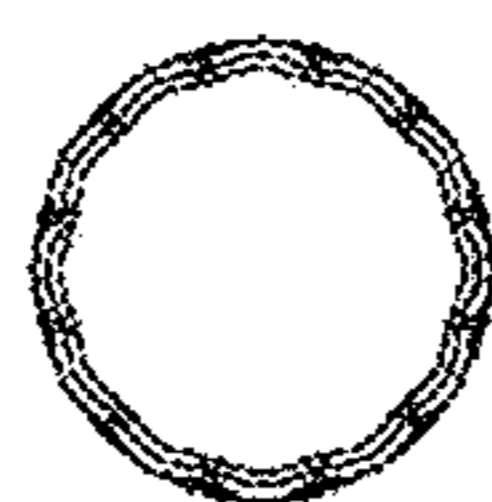


FIG. 6

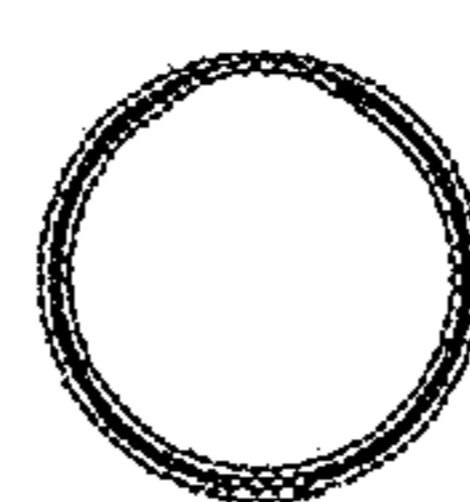


FIG. 7