

US00D977188S

(12) **United States Design Patent** (10) **Patent No.:** **US D977,188 S**
Hines (45) **Date of Patent:** **** Jan. 31, 2023**

(54) **SMOKING DEVICE**

(71) Applicant: **Mary Hines**, Sandy Springs, GA (US)

(72) Inventor: **Mary Hines**, Sandy Springs, GA (US)

(**) Term: **15 Years**

(21) Appl. No.: **29/750,292**

(22) Filed: **Sep. 11, 2020**

Related U.S. Application Data

(63) Continuation of application No. 16/787,007, filed on Feb. 10, 2020.

(51) **LOC (14) Cl.** **27-02**

(52) **U.S. Cl.**
USPC **D27/170**

(58) **Field of Classification Search**
USPC D27/170, 100, 101, 162–165, 172,
D27/174–176, 183, 185–194; D24/110,
D24/110.5
CPC A24F 1/30; A24F 1/02; A24F 1/00; A61M
15/06
See application file for complete search history.

(56) **References Cited**

U.S. PATENT DOCUMENTS

3,058,476	A	10/1962	Atkins	
3,194,246	A	7/1965	Mantchev	
3,685,522	A	8/1972	Kleinhans	
4,327,748	A	5/1982	Divis	
4,685,477	A	8/1987	Valdez	
D638,984	S	* 5/2011	Gould	D27/163
D728,156	S	* 4/2015	Wu	D27/101
D739,601	S	* 9/2015	Bahbah	D27/170
D779,722	S	* 2/2017	Volodarsky	D27/162
D796,112	S	* 8/2017	Lafferty	D27/101
D894,478	S	* 8/2020	Fornarelli	D27/162
D910,230	S	* 2/2021	Peirce	D27/101
D913,580	S	* 3/2021	Barenboym	D27/170
D921,969	S	* 6/2021	Simrell	D27/162

D927,055	S	* 8/2021	Opp	D27/162
2012/0012723	A1	* 1/2012	Mansfield	A24F 1/30 248/230.8
2017/0105447	A1	4/2017	Gay	
2018/0169355	A1	* 6/2018	Reevell	A61M 15/003
2020/0253273	A1	8/2020	Hines	
2021/0274853	A1	* 9/2021	Marubashi	A24F 40/50

* cited by examiner

Primary Examiner — Rebecca Tsehaye

(74) *Attorney, Agent, or Firm* — Bekiares Eliezer LLP

(57) **CLAIM**

The ornamental design for a smoking device, as shown and described.

DESCRIPTION

FIG. 1 is a reduced size perspective view of a smoking device showing my new design, wherein an optional chain or necklace may be coupled with the smoking device; FIG. 2 is another reduced size perspective view thereof, showing a user using the smoking device with a cigarette mounted therein; FIG. 3 is a right side view thereof, the left side being a mirror image thereof; FIG. 4 is a left side view thereof, the right side being a mirror image thereof; FIG. 5 is a front view thereof; FIG. 6 is a rear view thereof; FIG. 7 is a top view thereof; FIG. 8 is bottom view thereof; and, FIG. 9 is another perspective view thereof.

The broken lines illustrate portions of the smoking device that do not form a part of the claimed design. The broken lines shown in FIGS. 1 and 2 illustrate environmental subject matter only and form no part of the claimed design. The additional broken lines shown in FIGS. 5 and 6 illustrate portions of the smoking device that form no part of the claimed design.

1 Claim, 5 Drawing Sheets

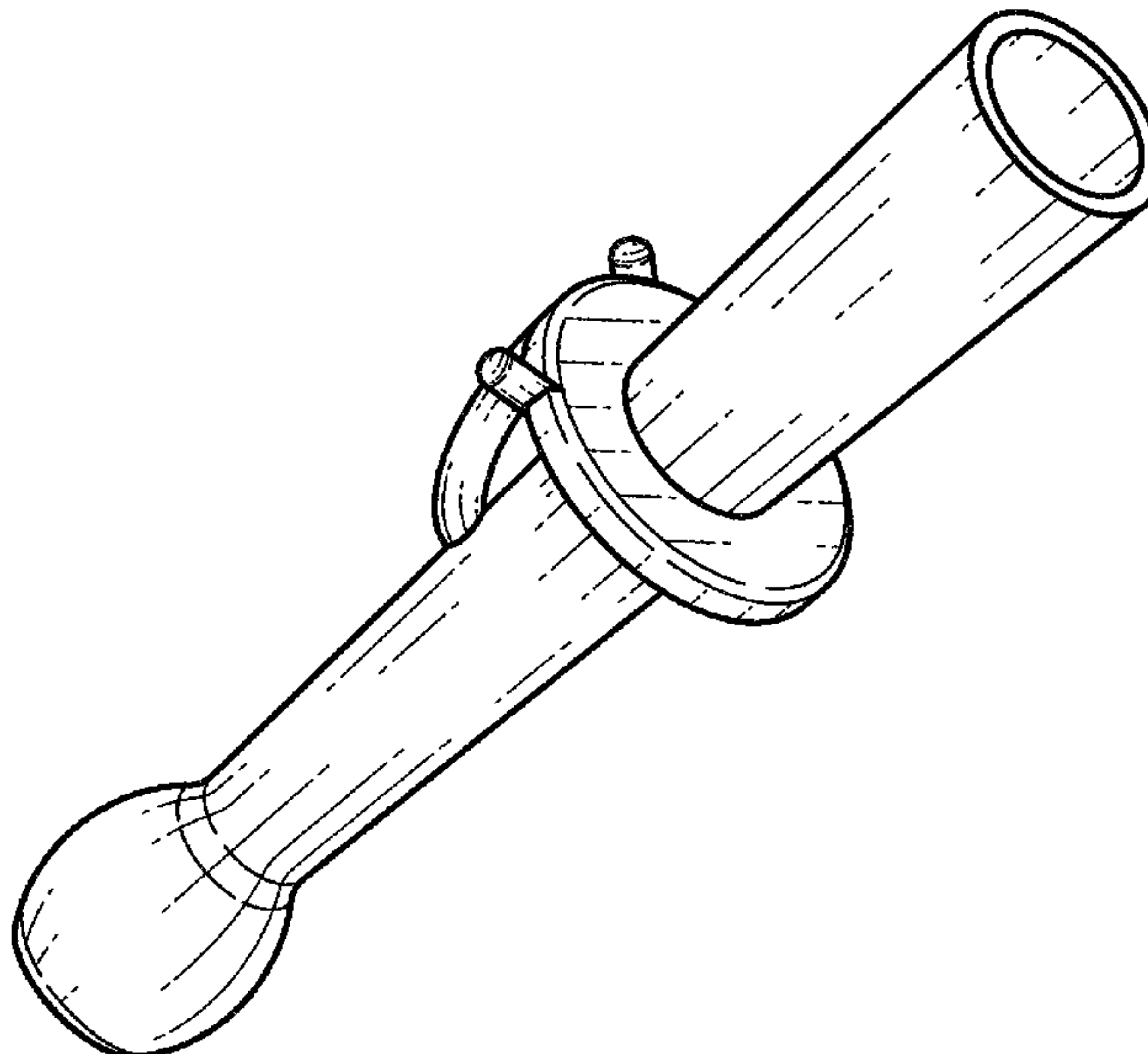




FIG. 1

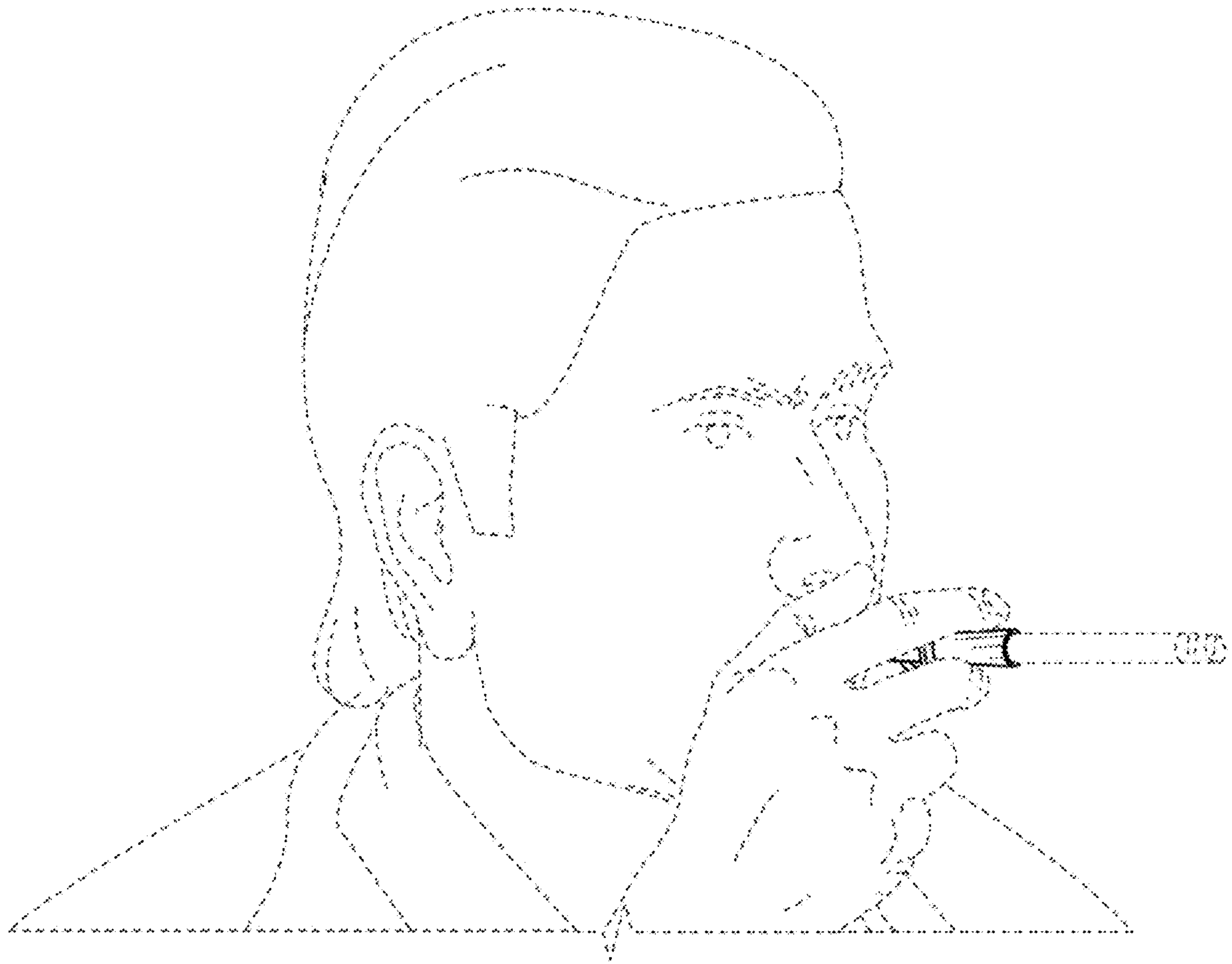


FIG. 2

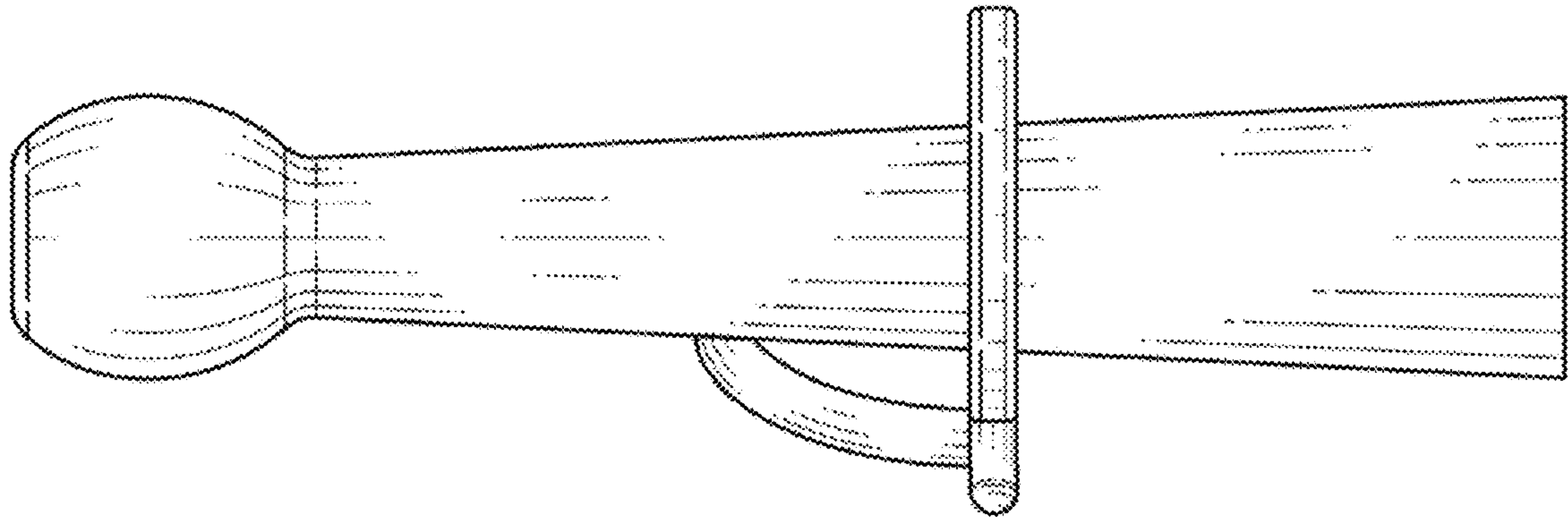


FIG. 3

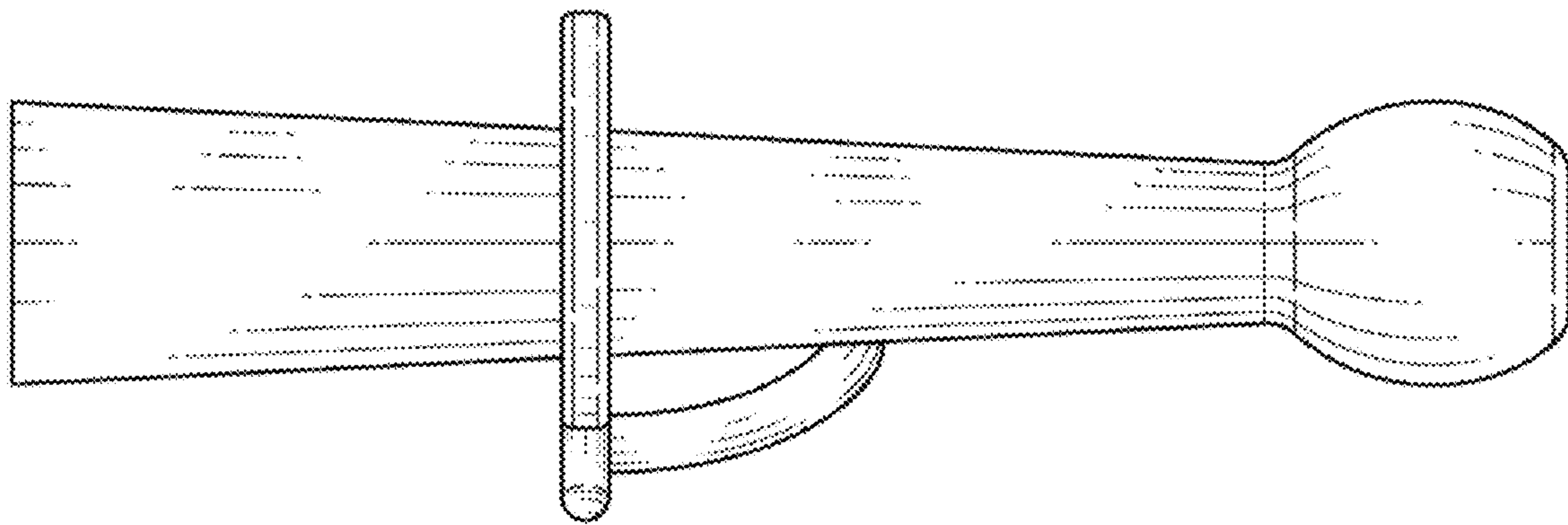


FIG. 4

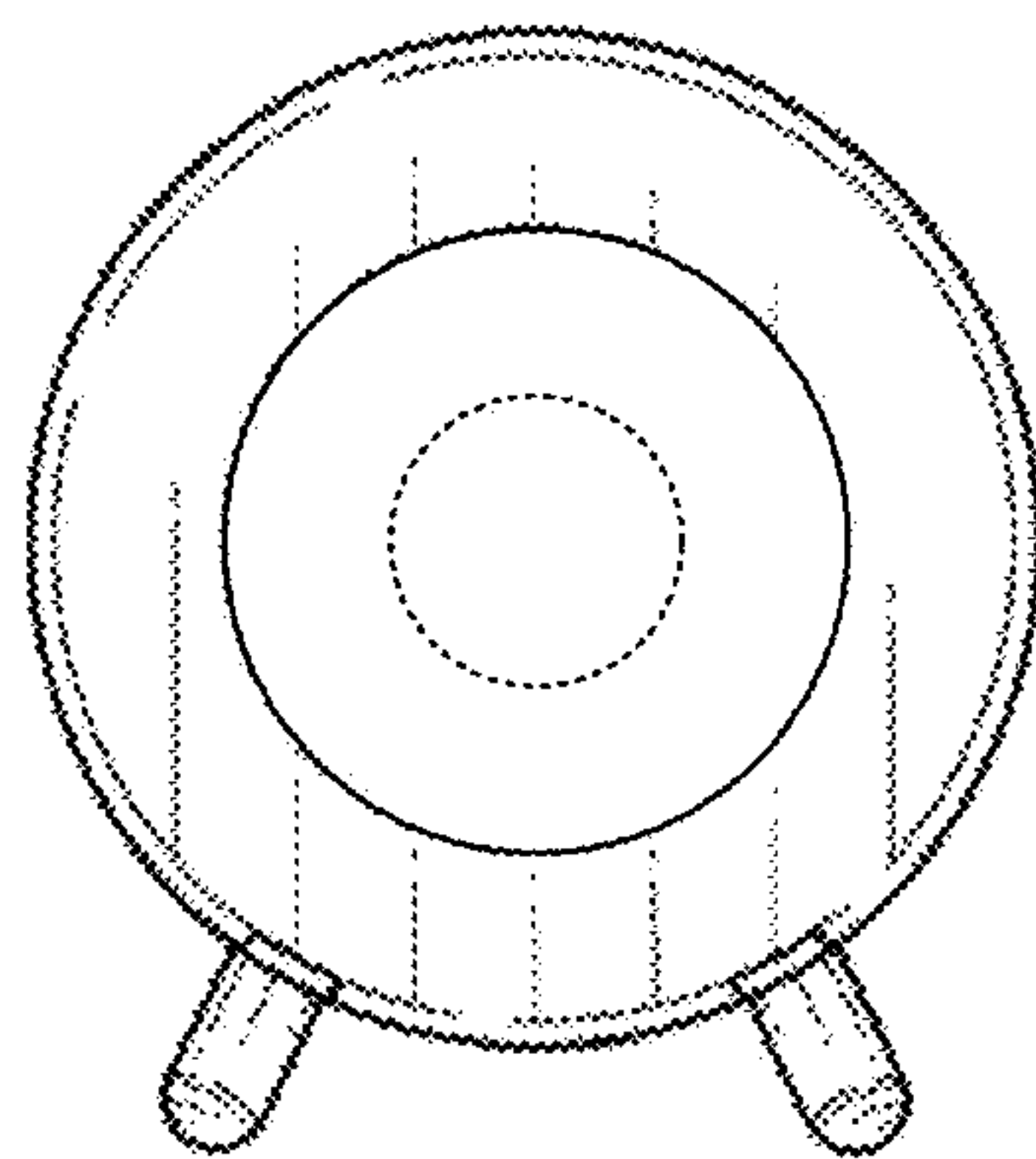


FIG. 5

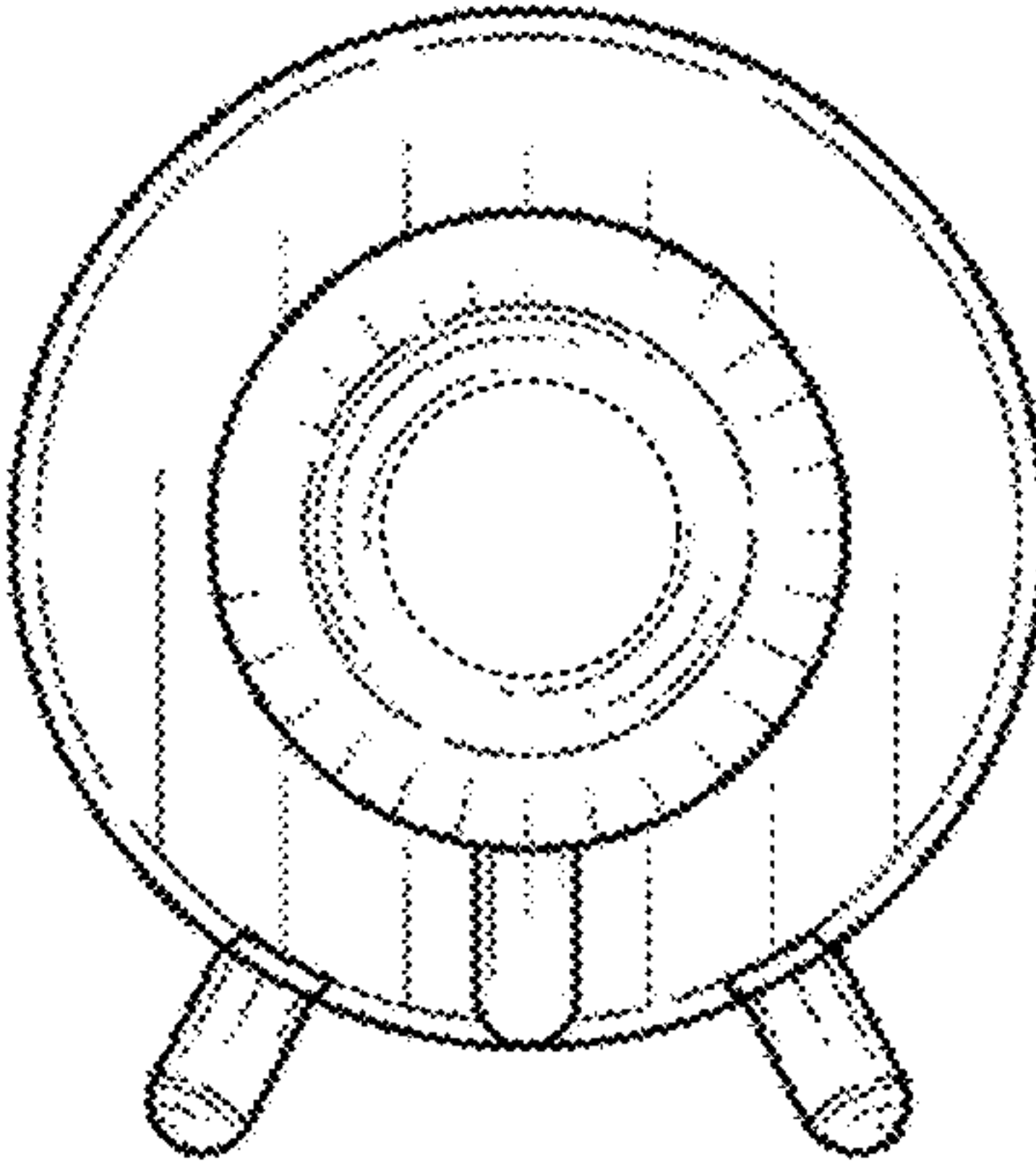


FIG. 6

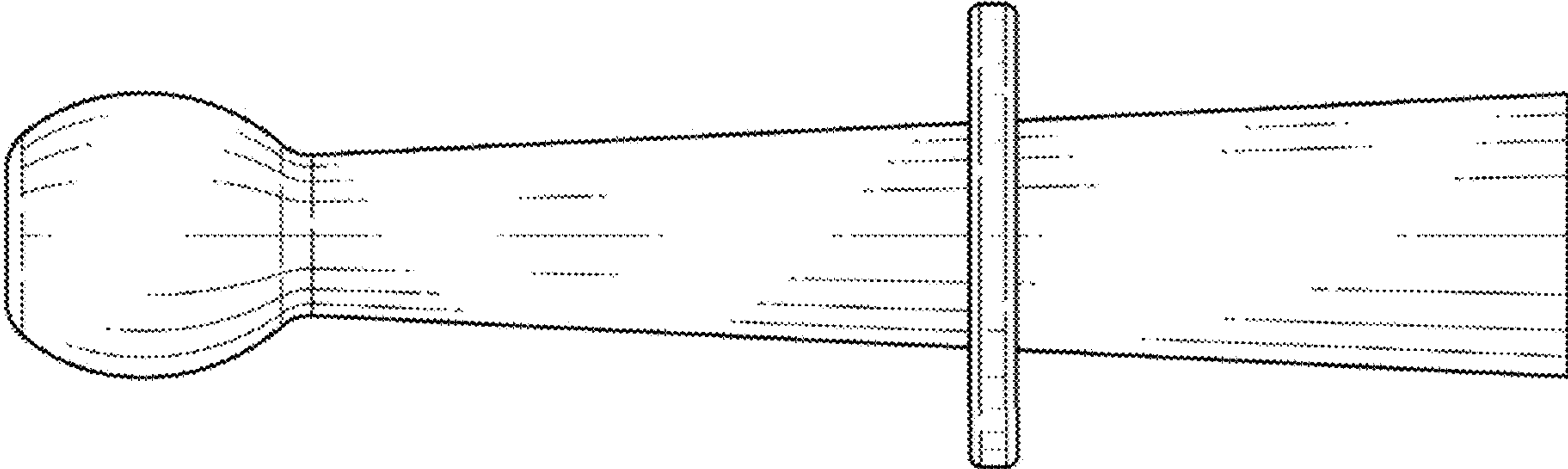


FIG. 7

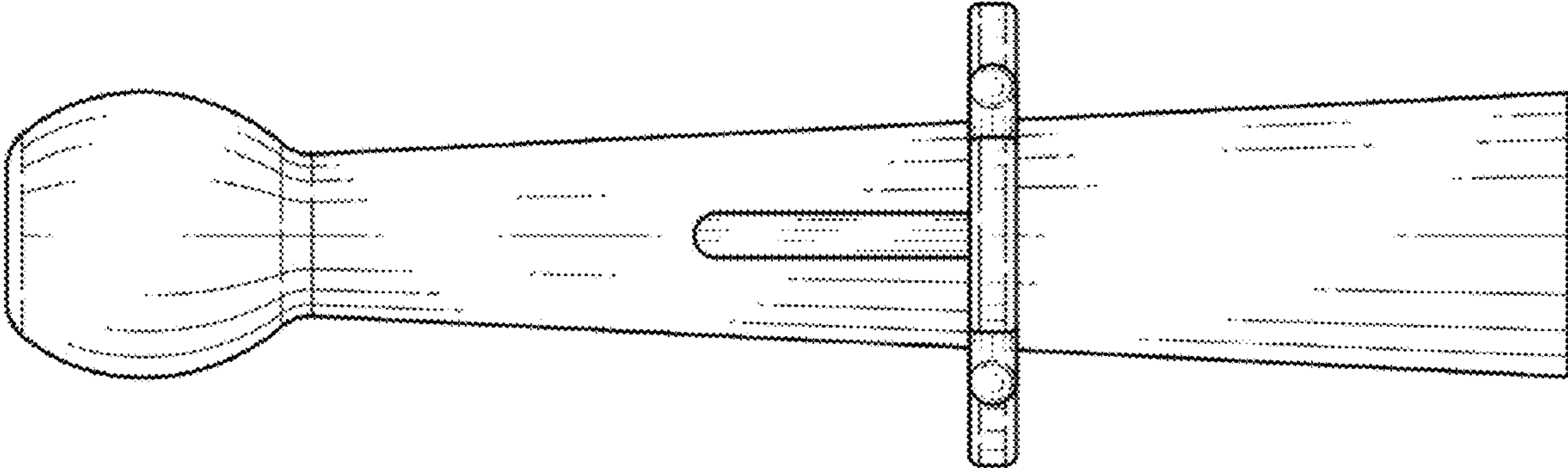


FIG. 8

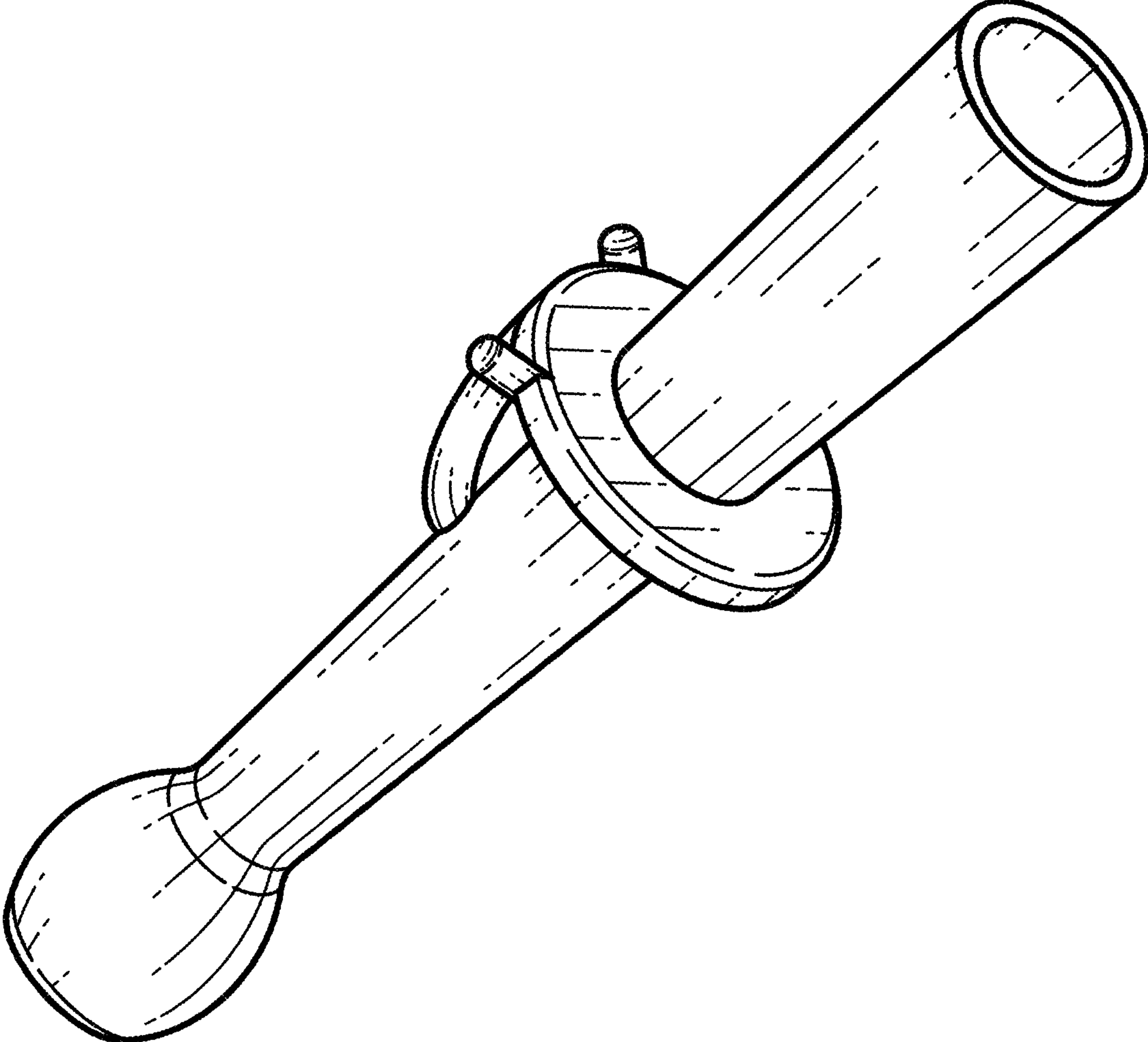


FIG. 9