



US00D977182S

(12) **United States Design Patent**
Zheng

(10) **Patent No.:** **US D977,182 S**
(45) **Date of Patent:** **** Jan. 31, 2023**

(54) **SCREW FIXING LIGHT STAND**

(71) Applicant: **Lidan Zheng**, Ningbo (CN)

(72) Inventor: **Lidan Zheng**, Ningbo (CN)

(**) Term: **15 Years**

(21) Appl. No.: **29/858,116**

(22) Filed: **Oct. 28, 2022**

(51) **LOC (14) Cl.** **26-05**

(52) **U.S. Cl.**
USPC **D26/138**

(58) **Field of Classification Search**
USPC D26/61, 63, 67, 138, 139, 140, 141, 142,
D26/152, 155; D8/387; D3/10, 17
CPC F21S 2/00; F21S 4/00; F21S 4/003; F21S
4/005; F21S 4/006; F21S 4/007; F21S
4/008; F21S 6/00; F21S 8/00; F21S
8/024; F21S 8/026; F21S 8/031; F21S
8/033; F21S 8/035-037; F21S 8/04; F21S
8/043; F21S 8/063

See application file for complete search history.

(56) **References Cited**

U.S. PATENT DOCUMENTS

D346,240 S *	4/1994	Dickens, Sr.	D26/138
D381,892 S *	8/1997	Porter	D8/387
D398,363 S *	9/1998	LoBue	D21/840
D402,803 S *	12/1998	Goldberg	D3/12
D416,401 S *	11/1999	Taylor	D3/10
D470,972 S *	2/2003	Scantlin	D26/138
D495,445 S	8/2004	Cooper		
D549,088 S *	8/2007	Gallien	D8/391
D550,072 S *	9/2007	Ardern	D8/387
D552,285 S *	10/2007	Richmond	D26/68
D576,331 S	9/2008	Ruud		
D630,834 S *	1/2011	Cohen	D3/10
D649,030 S *	11/2011	Austin, III	D8/387
D663,461 S	7/2012	Schefers		
D738,102 S *	9/2015	Goldszer	D3/17
D806,202 S *	12/2017	Brooks	D22/113
D860,297 S *	9/2019	Brooks	D16/242

(Continued)

OTHER PUBLICATIONS

Screw Fixing Light Stand,Espird String Light Poles for Outdoor 2 Pack, 10 Feet Outside String Light Pole for String Lights, Backyard Patio Light Poles for Parties Bistro Wedding, Metal Outdoor String Light Poles,amazon.com, Oct. 28, 2022, https://www.amazon.com/Espird-Outside-Outdoor-Backyard-Parties/dp/B09QKTPZGQ/ref=sr_1_23?crd=2MU4U6O4FUWM5&keywords=string%2Blight%2Bpoles&qid=1666342996&qu=eyJxc2MiOil2Lj14liwicXNhIjoiNi41MSIsInFzcCI6IjYuMzlfQ%3D%3D&srefix=string%0https://www.amazon.com/Espird-Outside-Outdoor-Backyard-Parties/dp/B09QKTPZGQ?th=1.

Primary Examiner — Natasha Vujcic
(74) *Attorney, Agent, or Firm* — Rumit Ranjit Kanakia

(57) **CLAIM**

The ornamental design for a screw fixing light stand, as shown and described.

DESCRIPTION

FIG. 1 is a front perspective view of a screw fixing light stand, showing my new design;
FIG. 2 is a rear perspective view thereof;
FIG. 3 is a front elevational view thereof;
FIG. 4 is a rear elevational view thereof;
FIG. 5 is a left side view thereof;
FIG. 6 is a right side view thereof;
FIG. 7 is a top plan view thereof;
FIG. 8 is a bottom plan view thereof;
FIG. 9 is a partial enlarged view of FIG. 1;
FIG. 10 is a partial enlarged view of FIG. 1;
FIG. 11 is a partial enlarged view of FIG. 2;
FIG. 12 is a partial enlarged view of FIG. 2;
FIG. 13 is a partial enlarged view of FIG. 7;
FIG. 14 is a partial enlarged view of FIG. 8; and,
FIG. 15 is a front perspective view of the screw fixing light stand in a used state.

(Continued)



The broken lines in FIG. 1 to FIG. 6, FIG. 9 to FIG. 12 and FIG. 15 are for the purposes of illustrating portions of the screw fixing light stand, which form no part of the claimed design.

1 Claim, 7 Drawing Sheets

(56)

References Cited

U.S. PATENT DOCUMENTS

D869,742 S	*	12/2019	Sonneman	D26/138
D869,743 S	*	12/2019	Sonneman	D26/138
D877,486 S	*	3/2020	Chen	D3/10
D878,669 S		3/2020	Bembridge	
D926,353 S		7/2021	Sherman	
D928,987 S		8/2021	Stegeman	
D940,380 S		1/2022	Xu	
D942,670 S		2/2022	Xu	
D950,830 S		5/2022	Sherman	
D955,629 S		6/2022	Tang	
D969,396 S	*	11/2022	Liang	D26/138

* cited by examiner



FIG. 1

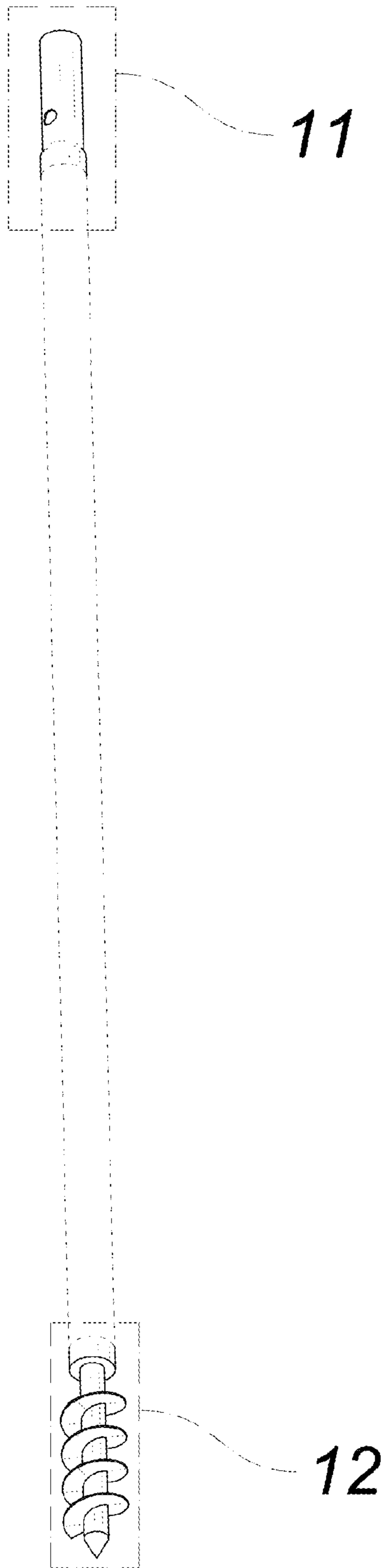


FIG. 2



FIG. 3

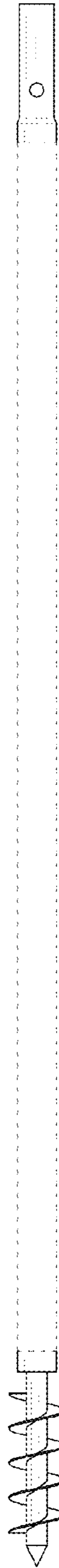


FIG. 4

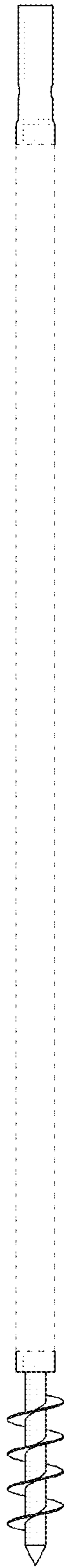


FIG. 5

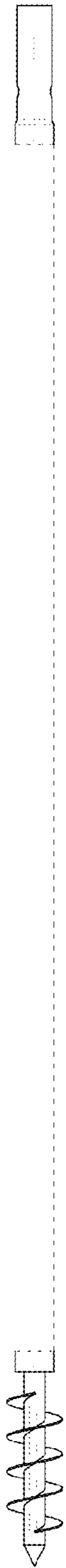


FIG. 6

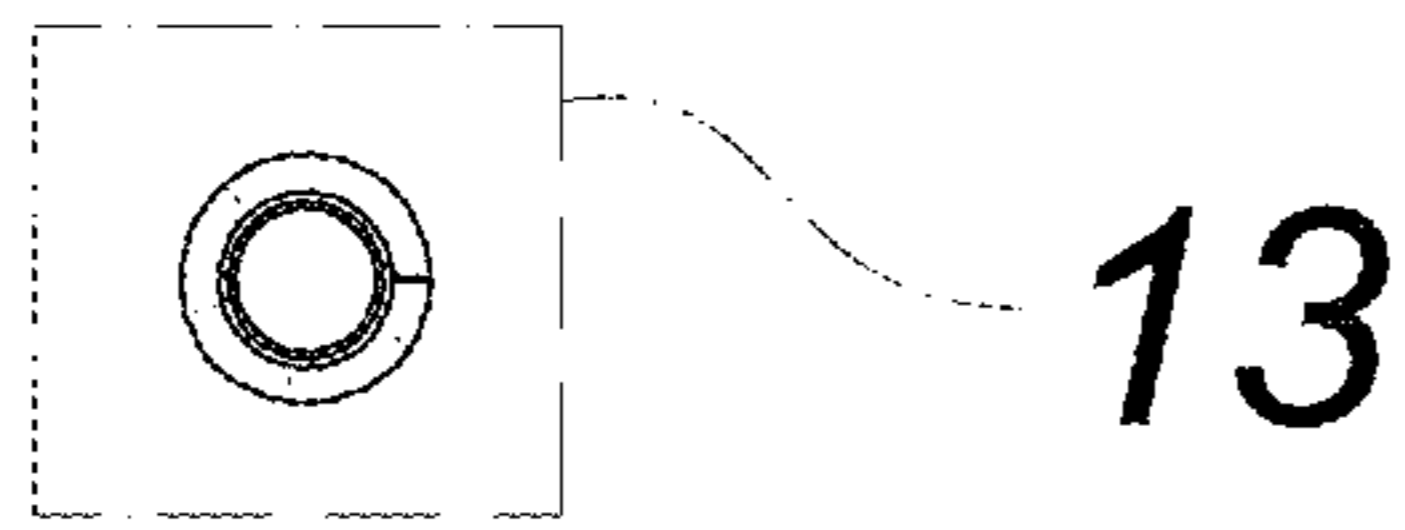


FIG. 7

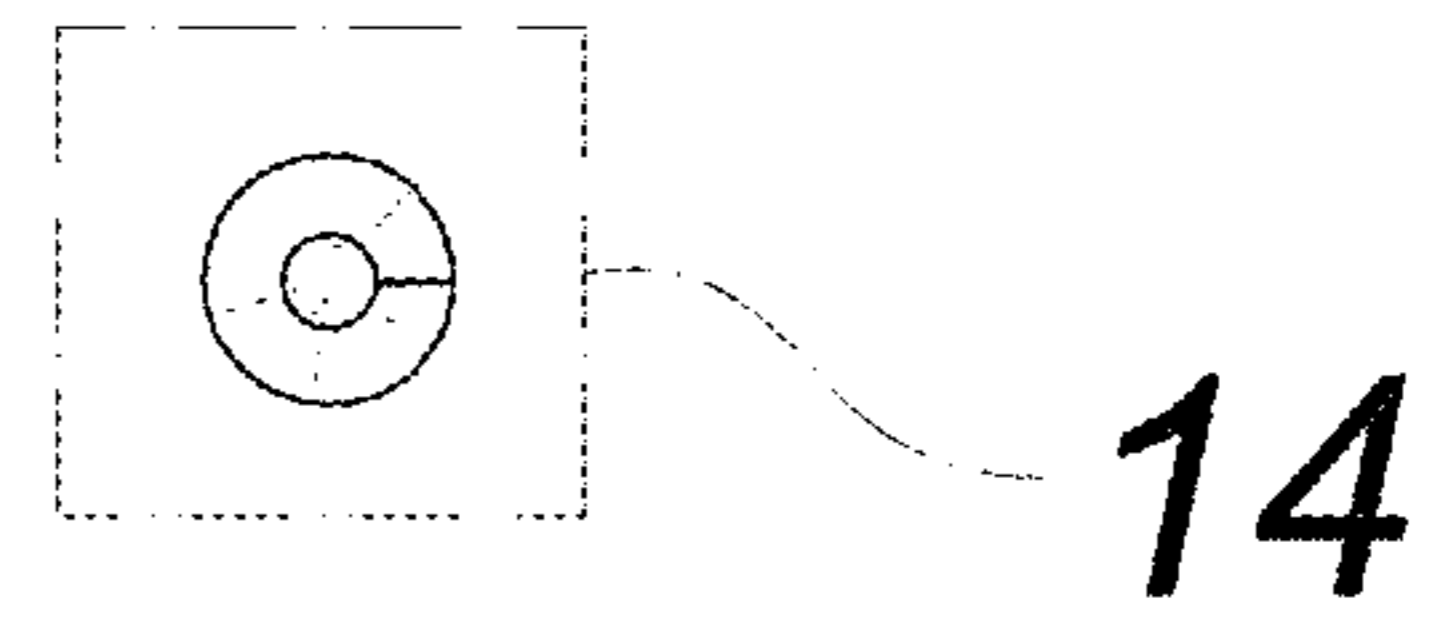


FIG. 8

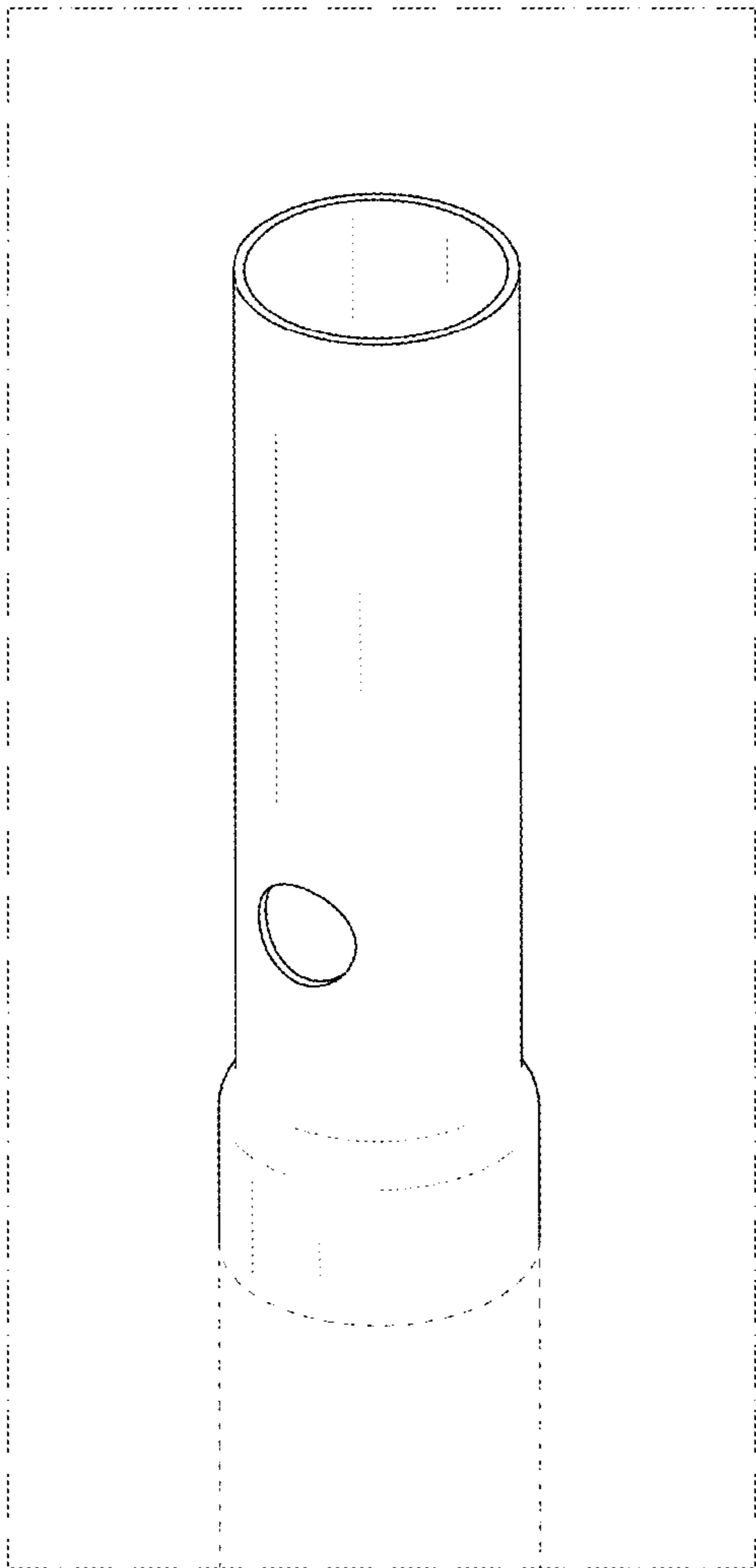


FIG. 9

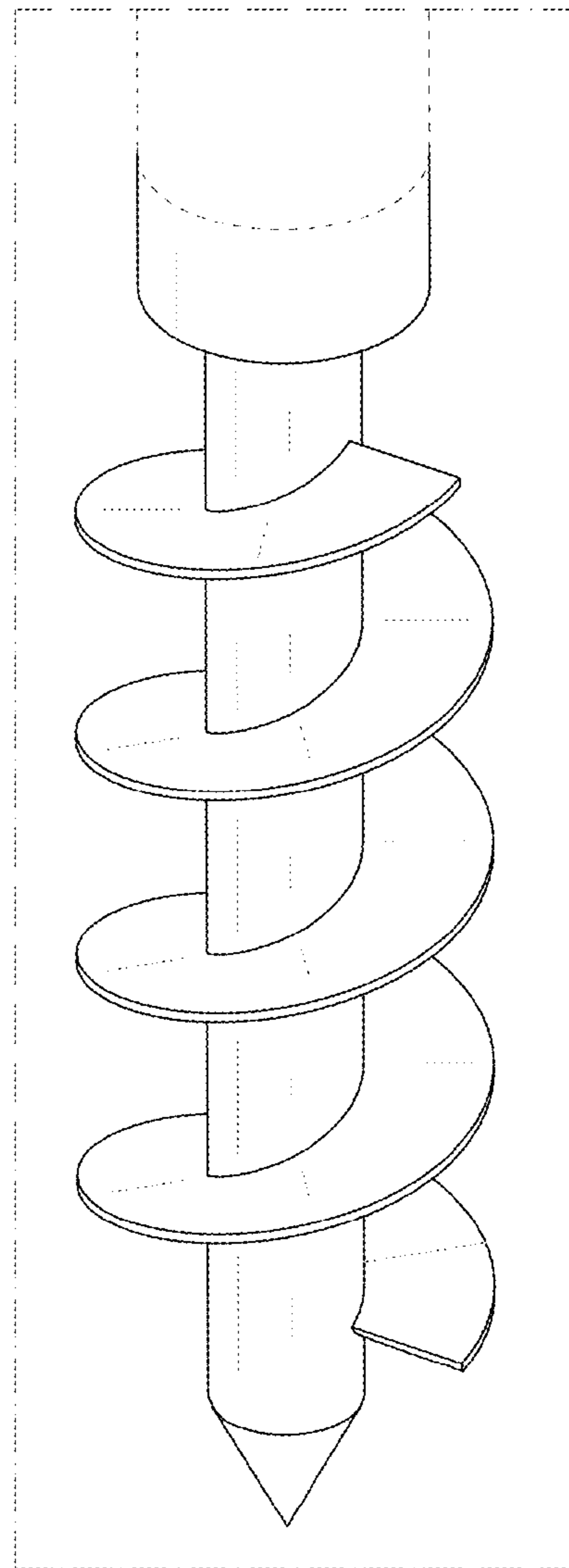


FIG. 10

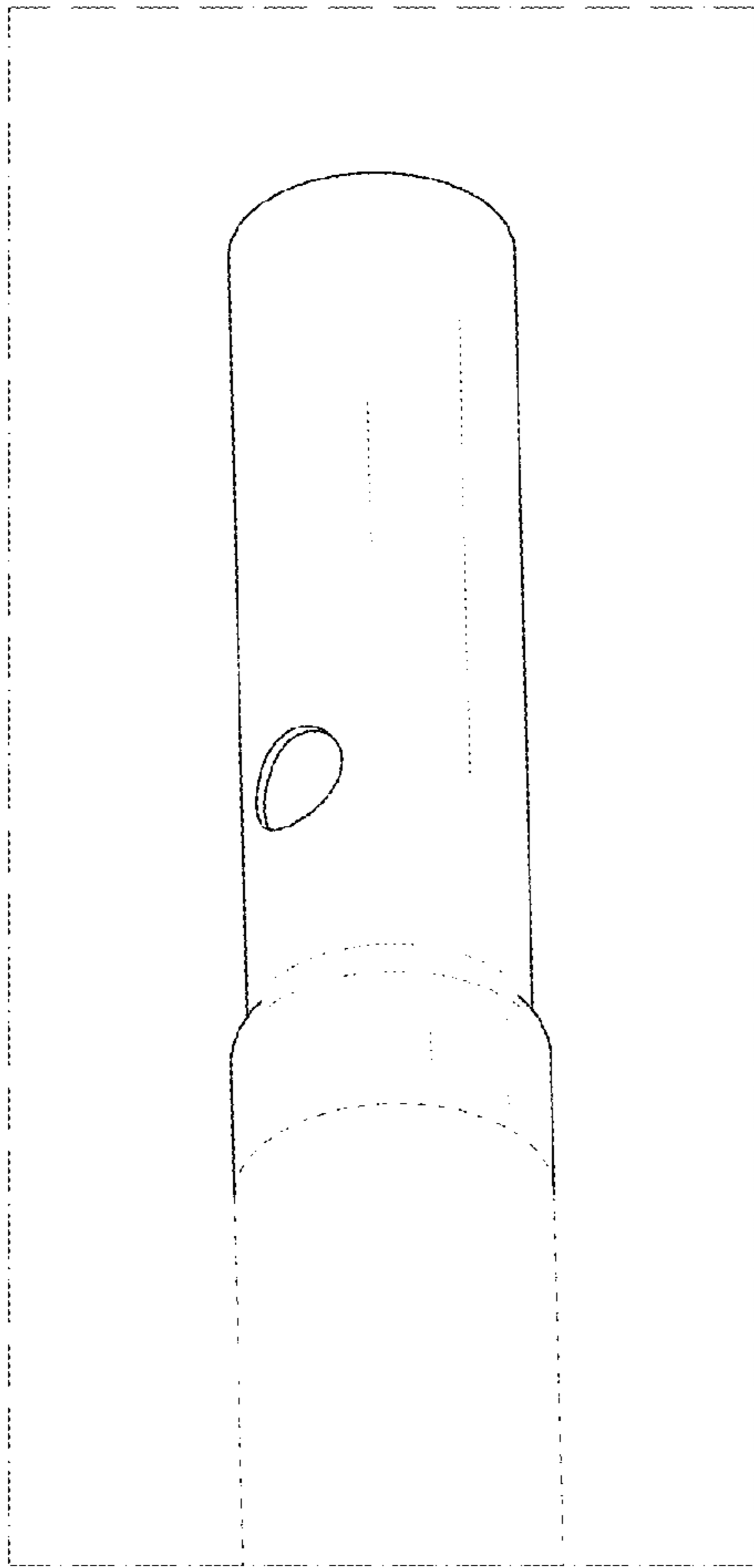


FIG. 11

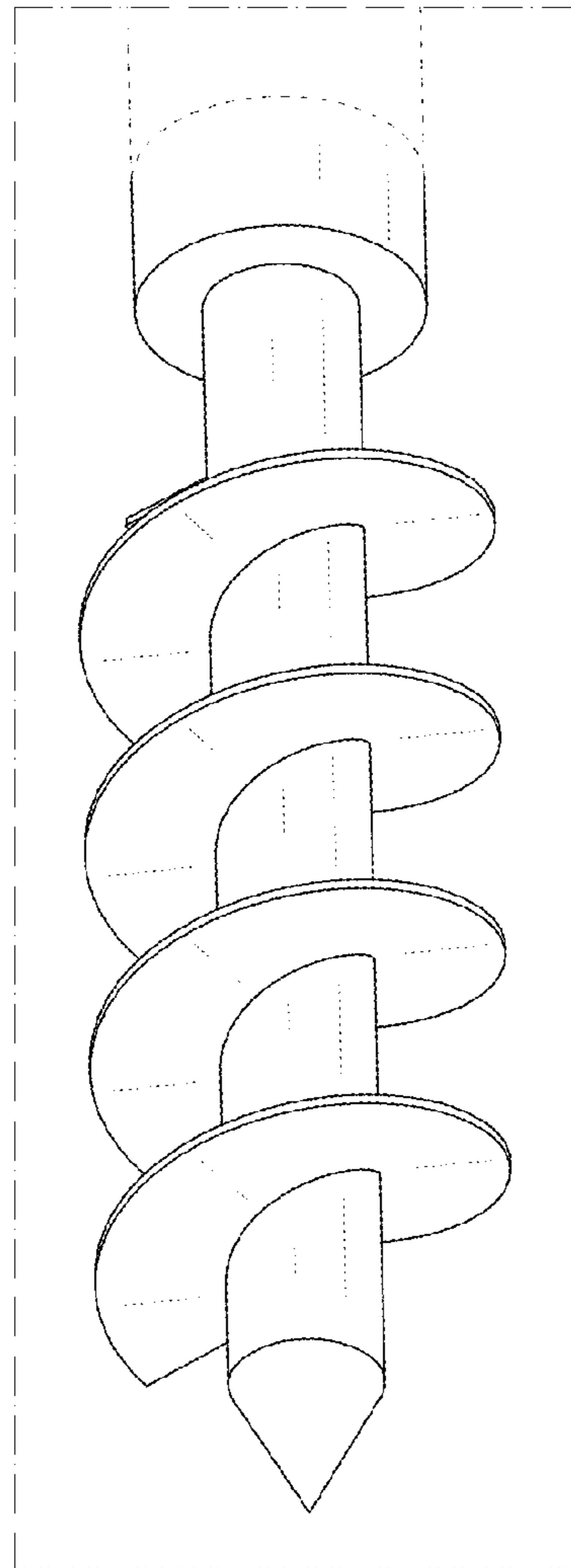


FIG. 12

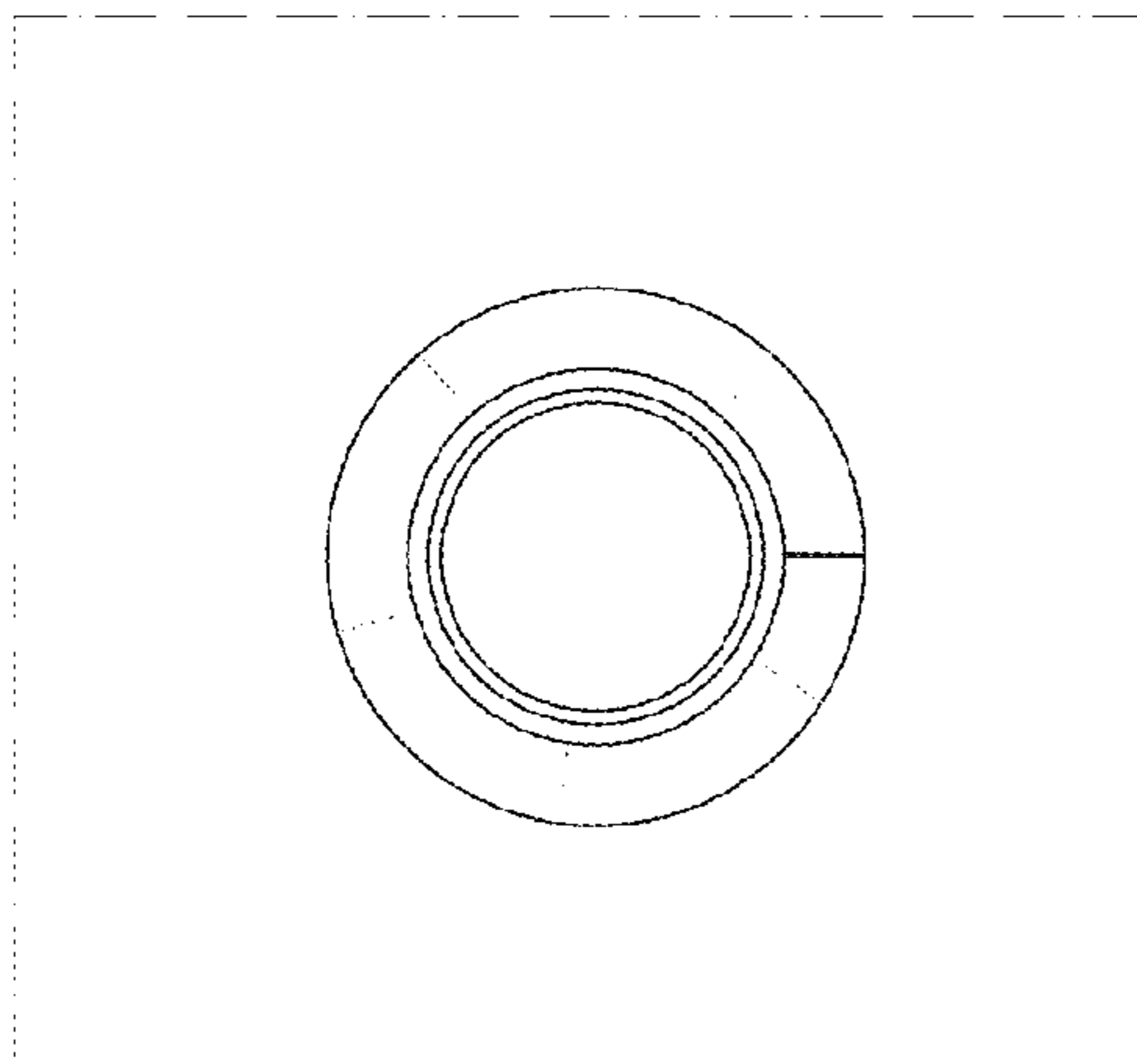


FIG. 13

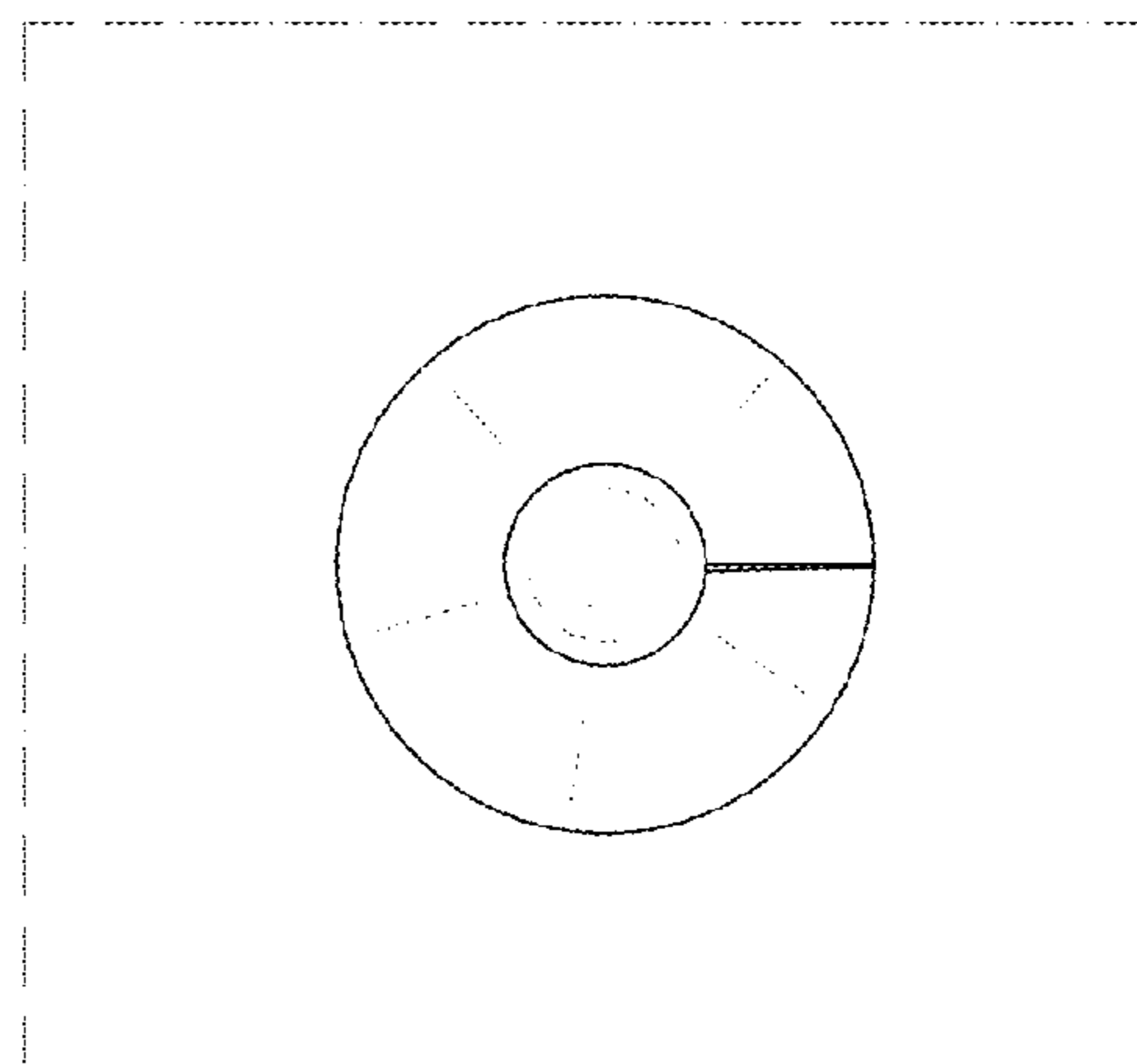


FIG. 14

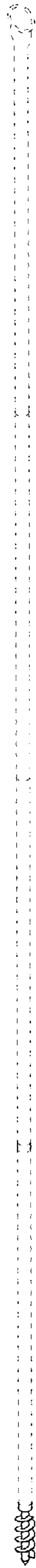


FIG. 15