



US00D977181S

(12) **United States Design Patent**  
**Zhao**

(10) **Patent No.:** **US D977,181 S**  
(45) **Date of Patent:** **\*\* Jan. 31, 2023**

(54) **LAMP BASE**

(71) Applicant: **HongChun Zhao**, ShenZhen (CN)

(72) Inventor: **HongChun Zhao**, ShenZhen (CN)

(\*\*) Term: **15 Years**

(21) Appl. No.: **29/782,210**

(22) Filed: **May 5, 2021**

(51) **LOC (14) Cl.** ..... **26-05**

(52) **U.S. Cl.**  
USPC ..... **D26/138**

(58) **Field of Classification Search**

USPC ..... D26/2, 28, 36, 79-92, 110, 113, 118,  
D26/134, 138-139, 140, 142, 149-151;  
D13/134; D12/308

CPC ..... F21V 21/06; F21V 21/02; F04D 3/00  
See application file for complete search history.

(56) **References Cited**

**U.S. PATENT DOCUMENTS**

D476,769 S *	7/2003	Pilkington	.....	D26/51
D546,762 S *	7/2007	Kovacs	.....	D13/134
D547,889 S *	7/2007	Huang	.....	D26/28
D560,829 S *	1/2008	Mason, II	.....	D26/28
D628,722 S *	12/2010	Yamamoto	.....	D26/2
D643,971 S *	8/2011	Yamamoto	.....	D26/138
D648,061 S *	11/2011	Yamamoto	.....	D26/138
D750,314 S *	2/2016	Hobson	.....	D26/118
D773,725 S *	12/2016	Sonneman	.....	D26/142
D773,726 S *	12/2016	Sonneman	.....	D26/142
D831,268 S *	10/2018	Johnson	.....	D26/113
D831,883 S *	10/2018	Goltche	.....	D26/139

(Continued)

**FOREIGN PATENT DOCUMENTS**

HK 0603022-0005 \* 12/2006

**OTHER PUBLICATIONS**

Towner 3-Light Brushed Nickel Pendant Canopy, available in homedeopt.com, customer review oldest date Nov. 25, 2020 [online].

[site visited Nov. 9, 2022], Available from the internet URL: <https://www.homedepot.com/p/Sea-Gull-Lighting-Towner-3-Light-Brushed-Nickel-Pendant-Canopy-7449403-962/304539292> (Year: 2020).\*

(Continued)

*Primary Examiner* — Brett Miller

*Assistant Examiner* — Jasmine L. Comedy

(74) *Attorney, Agent, or Firm* — iPA & iPM

(57) **CLAIM**

The ornamental design for a lamp base, as shown and described.

**DESCRIPTION**

FIG. 1 is a perspective view from above of a lamp base showing my new design;

FIG. 2 is a perspective view from below thereof;

FIG. 3 is a front view thereof;

FIG. 4 is a back view thereof;

FIG. 5 is a left side view thereof;

FIG. 6 is a right side view thereof;

FIG. 7 is a top view thereof;

FIG. 8 is a bottom view thereof;

FIG. 9 is a perspective view from above of the lamp base fitted with lamp beads and a first cover in an exploded view;

FIG. 10 is a perspective view from below thereof;

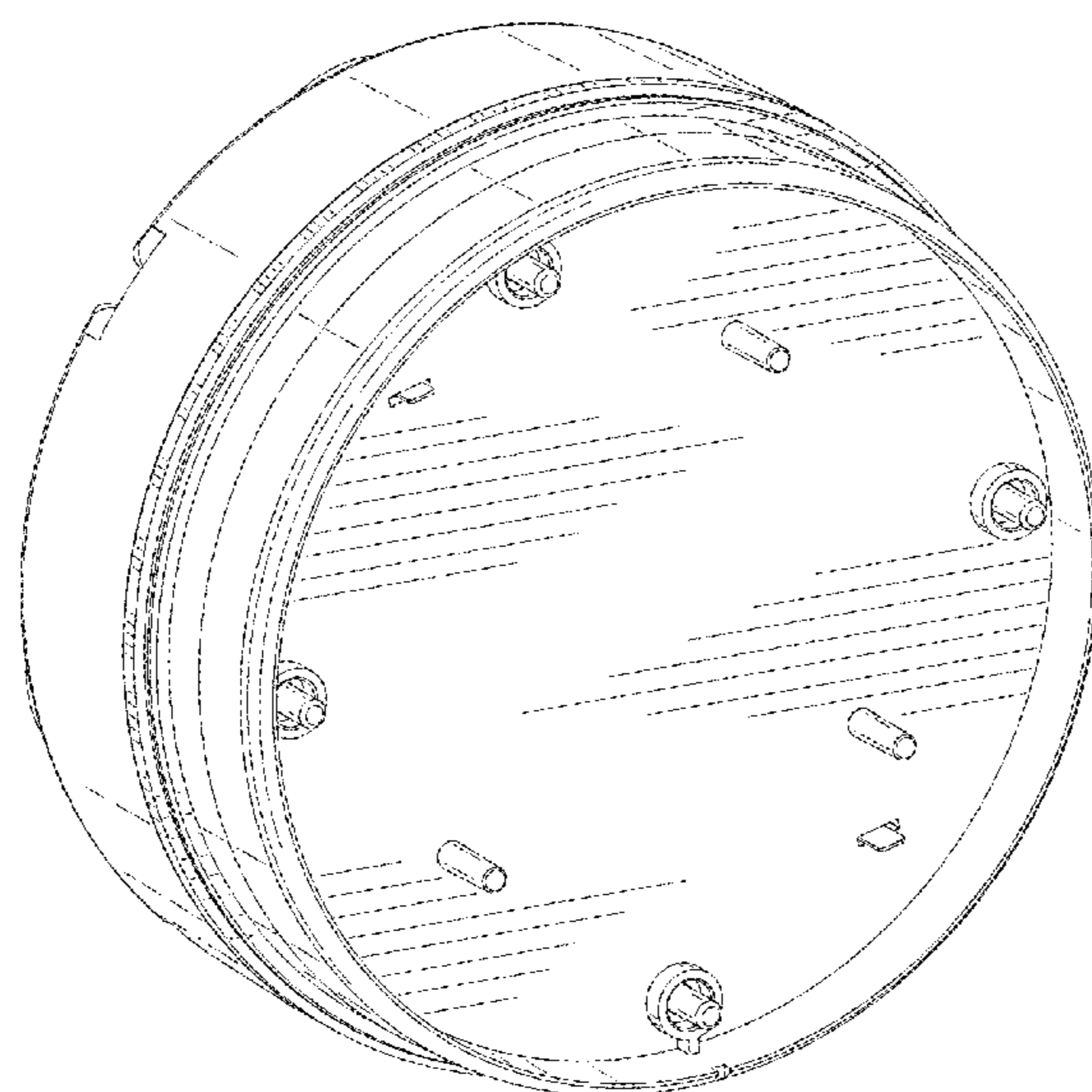
FIG. 11 is a perspective view of the lamp base engaged with the first cover;

FIG. 12 is a perspective view from above of the lamp base fitted with lamp beads, a second cover, and suction cups in an exploded view; and,

FIG. 13 is a perspective view of the lamp base engaged with the second cover and suction cups.

Broken lines are for illustrative purpose only and form no part of the claimed design.

**1 Claim, 13 Drawing Sheets**



(56)

**References Cited**

U.S. PATENT DOCUMENTS

D917,092 S \* 4/2021 Zhang ..... D26/110

OTHER PUBLICATIONS

Submersible Pond Lights, available in Amazon.com, date first available Oct. 20, 2020 [online], [site visited Nov. 9, 2022], Available from the internet URL: <https://www.amazon.com/Underwater-Waterproof-Submersible-Changing-Decoration/dp/B08GQY577X?th=1> (Year: 2020).\*

Kamas Chandelier Ceiling Mounted Plate, available in Amazon.com, date first available Apr. 17, 2019 [online], [site visited Nov. 9, 2022 ], Available from the internet URL: <https://www.amazon.com/Kamas-Chandelier-Suspension-Lighting-Accessories/dp/B07QMHBGMB?th=1> (Year: 2019).\*

Idealife Rechargeable Submersible LED Lights, available in Amazon.com, date first available Mar. 13, 2020 [online], [site visited Nov. 9, 2022], Available from the internet URL: <https://a.co/d/BR9fJtN> (Year: 2020).\*

\* cited by examiner

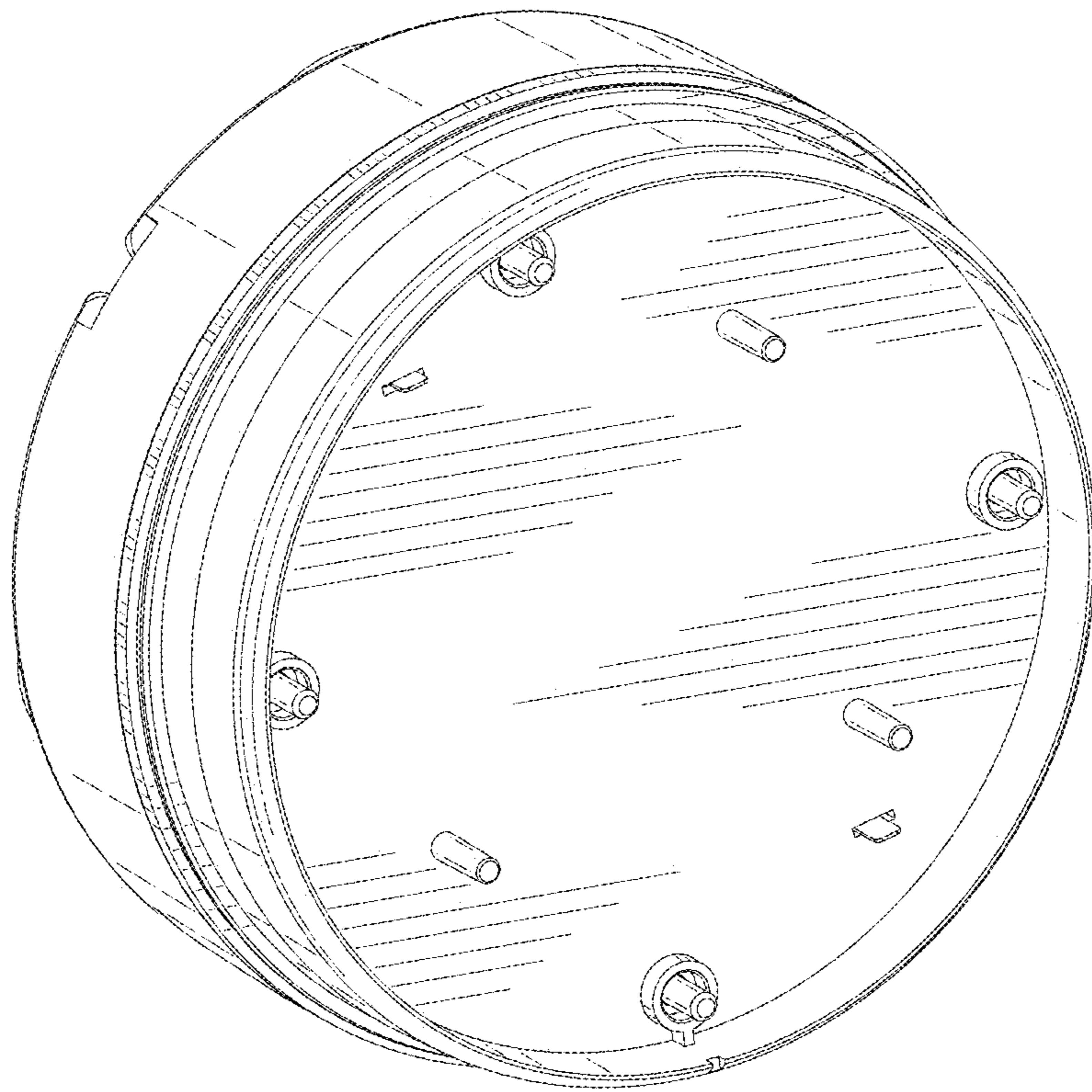


FIG.1

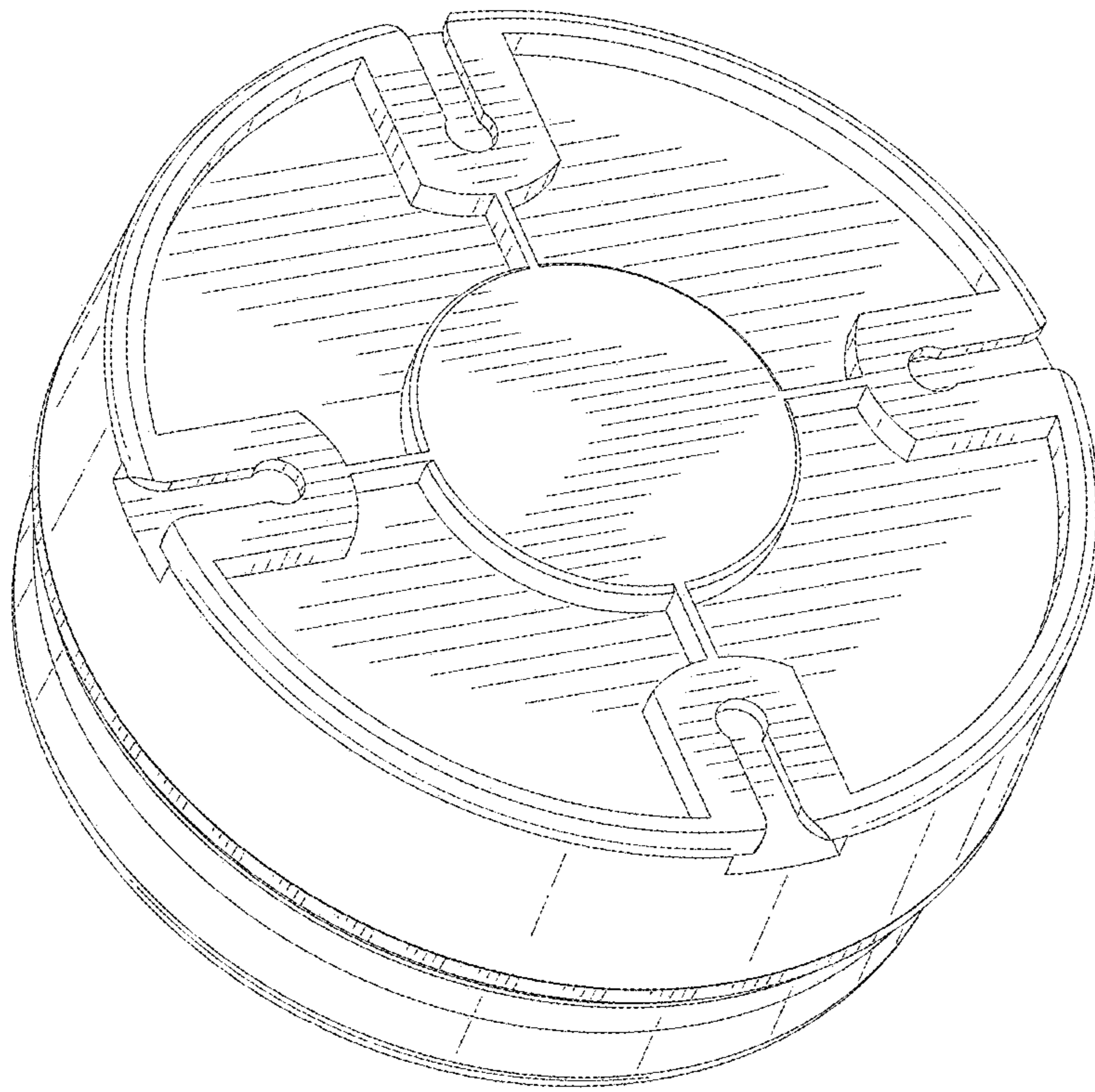


FIG.2

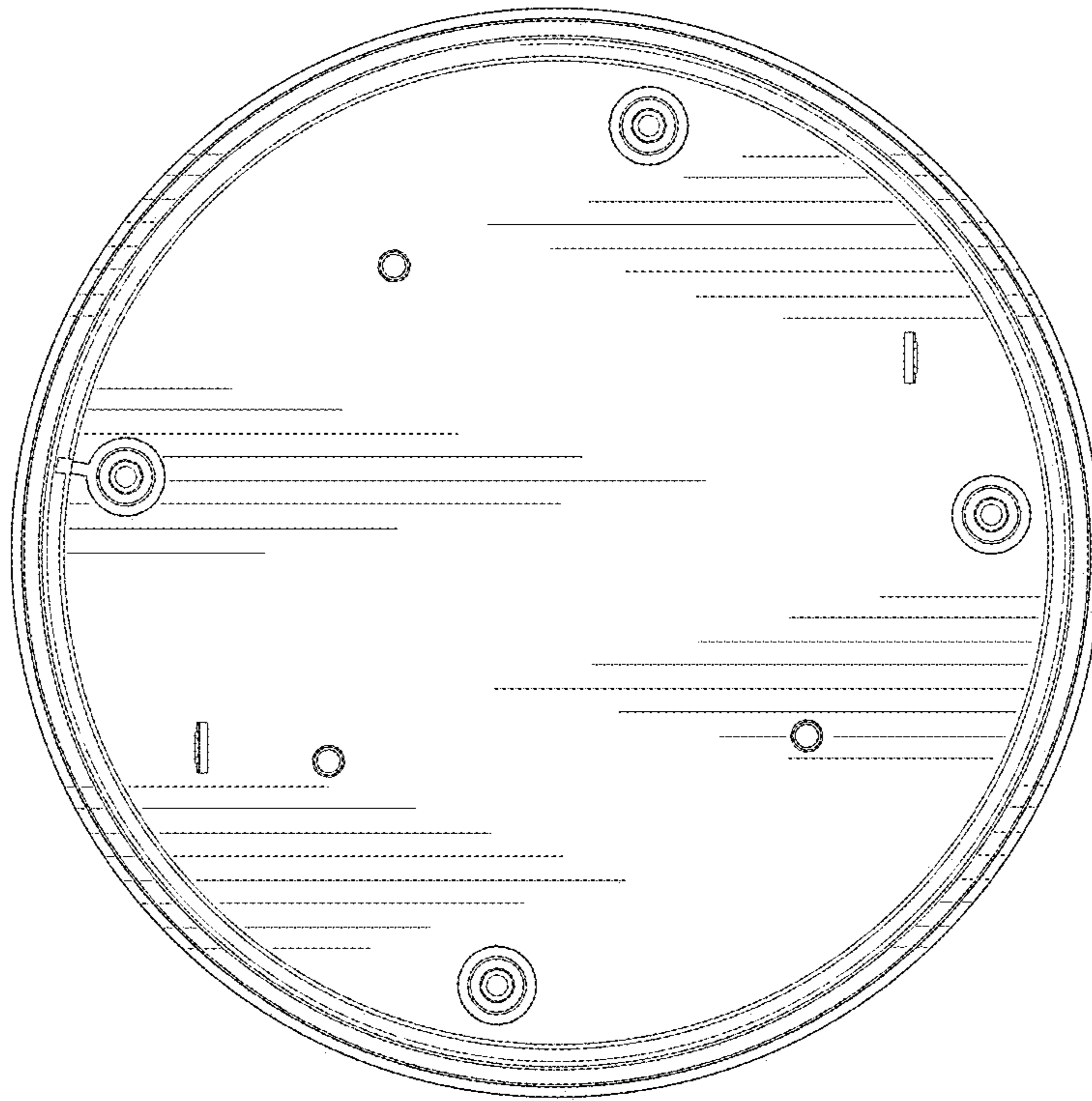


FIG.3

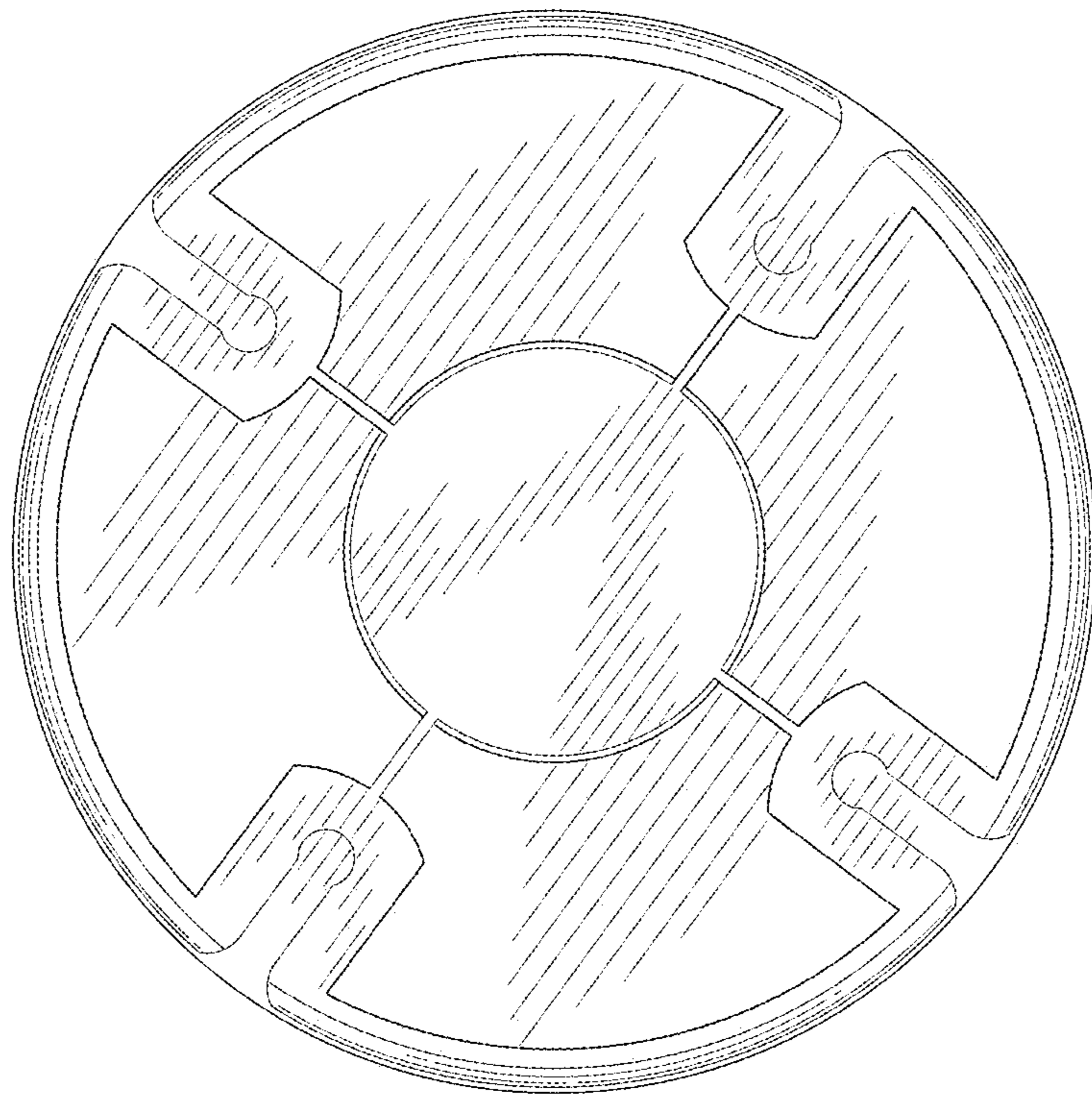


FIG.4

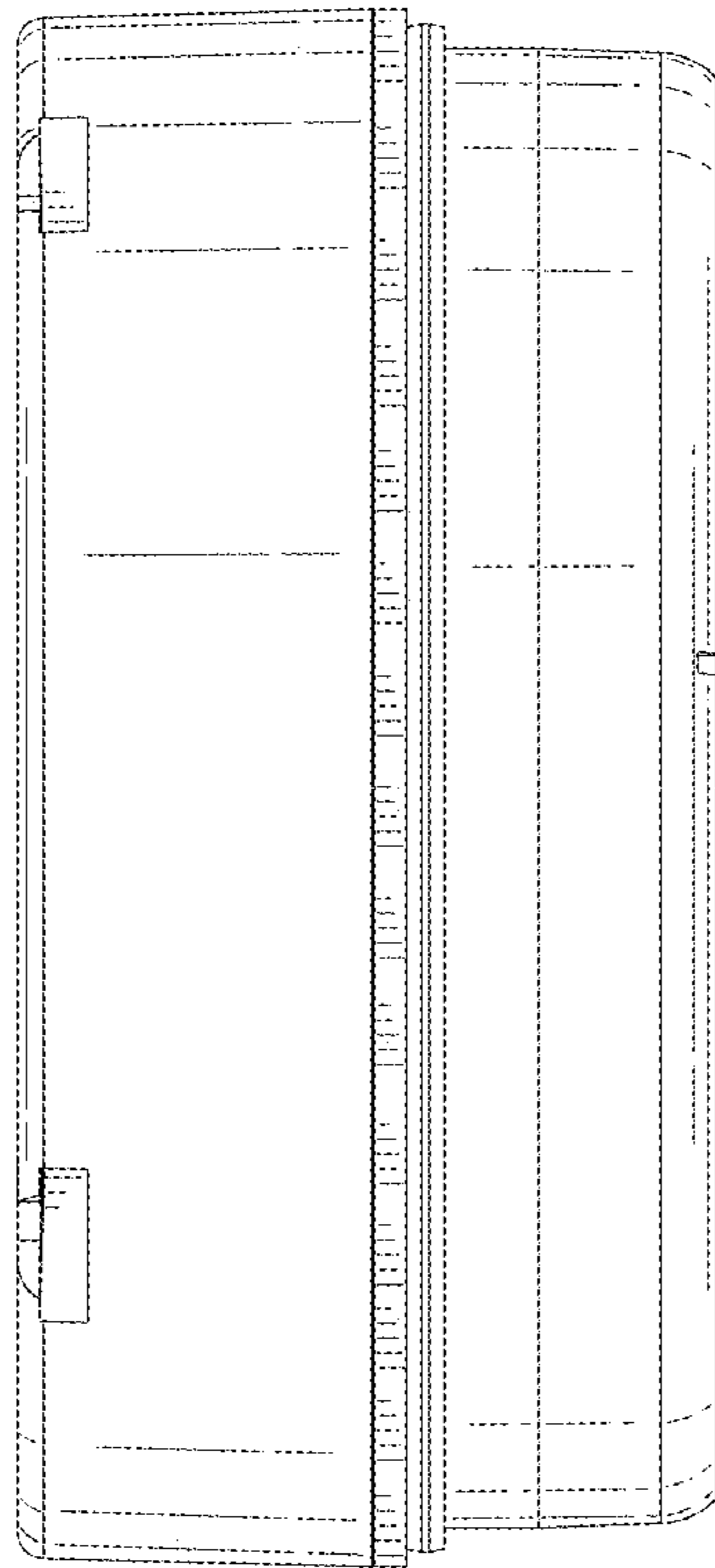


FIG.5

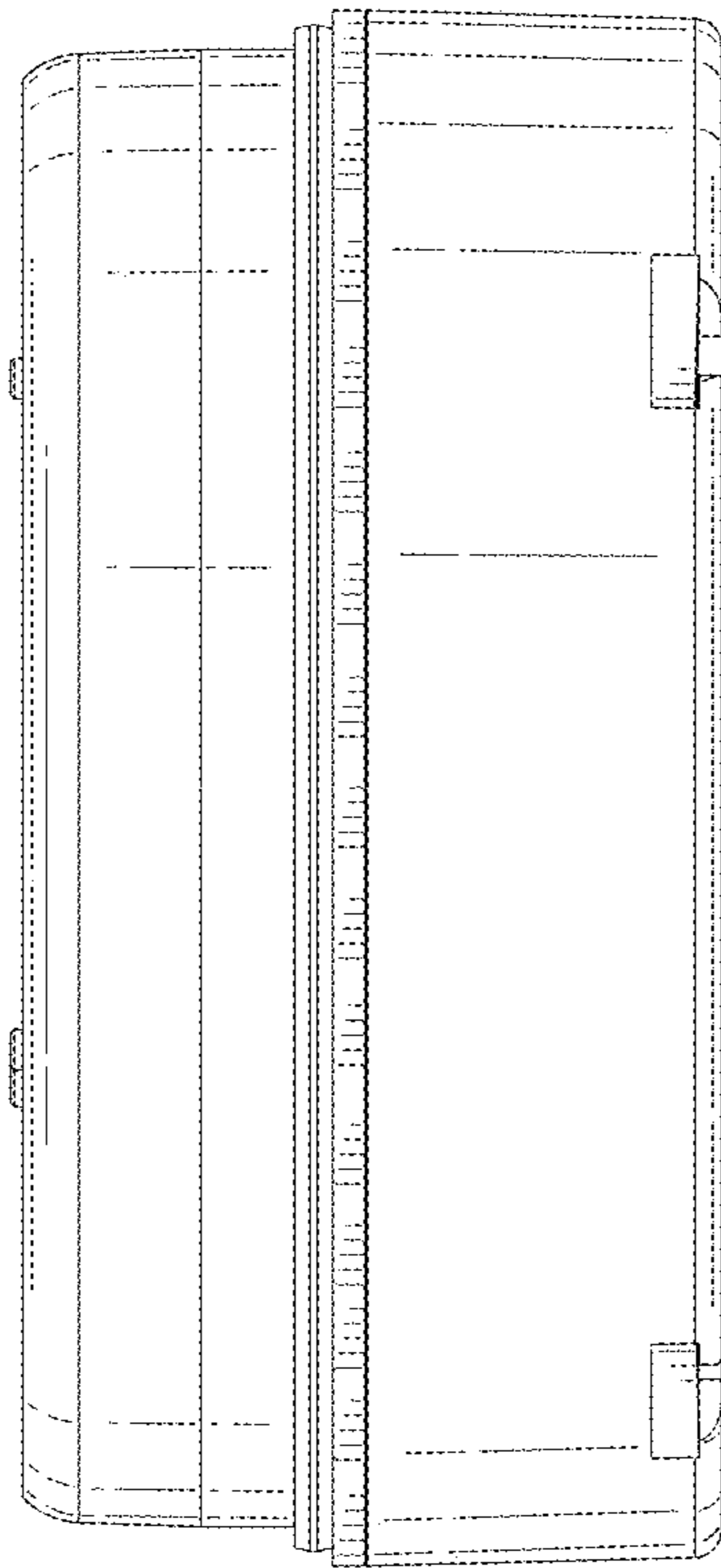


FIG.6



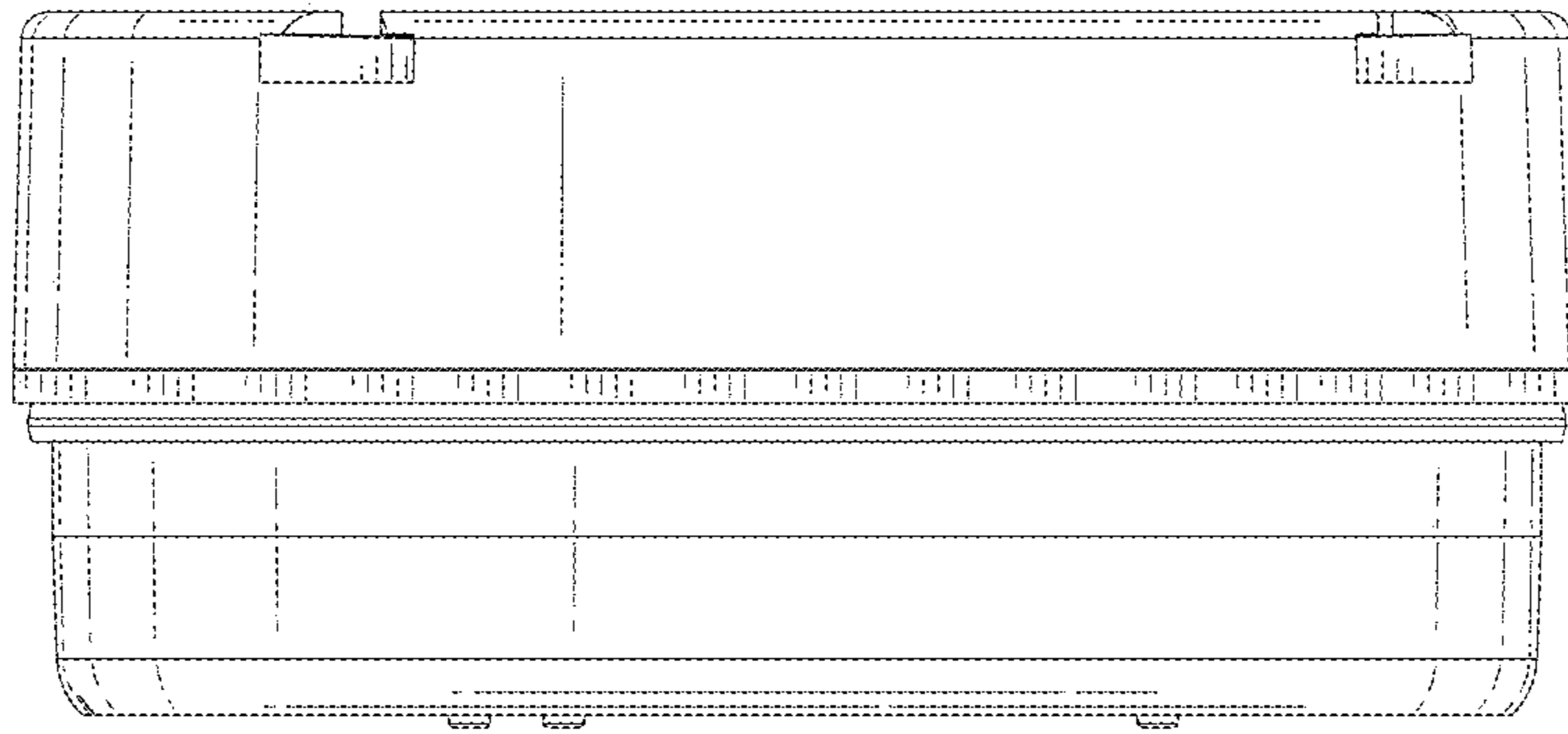


FIG.7

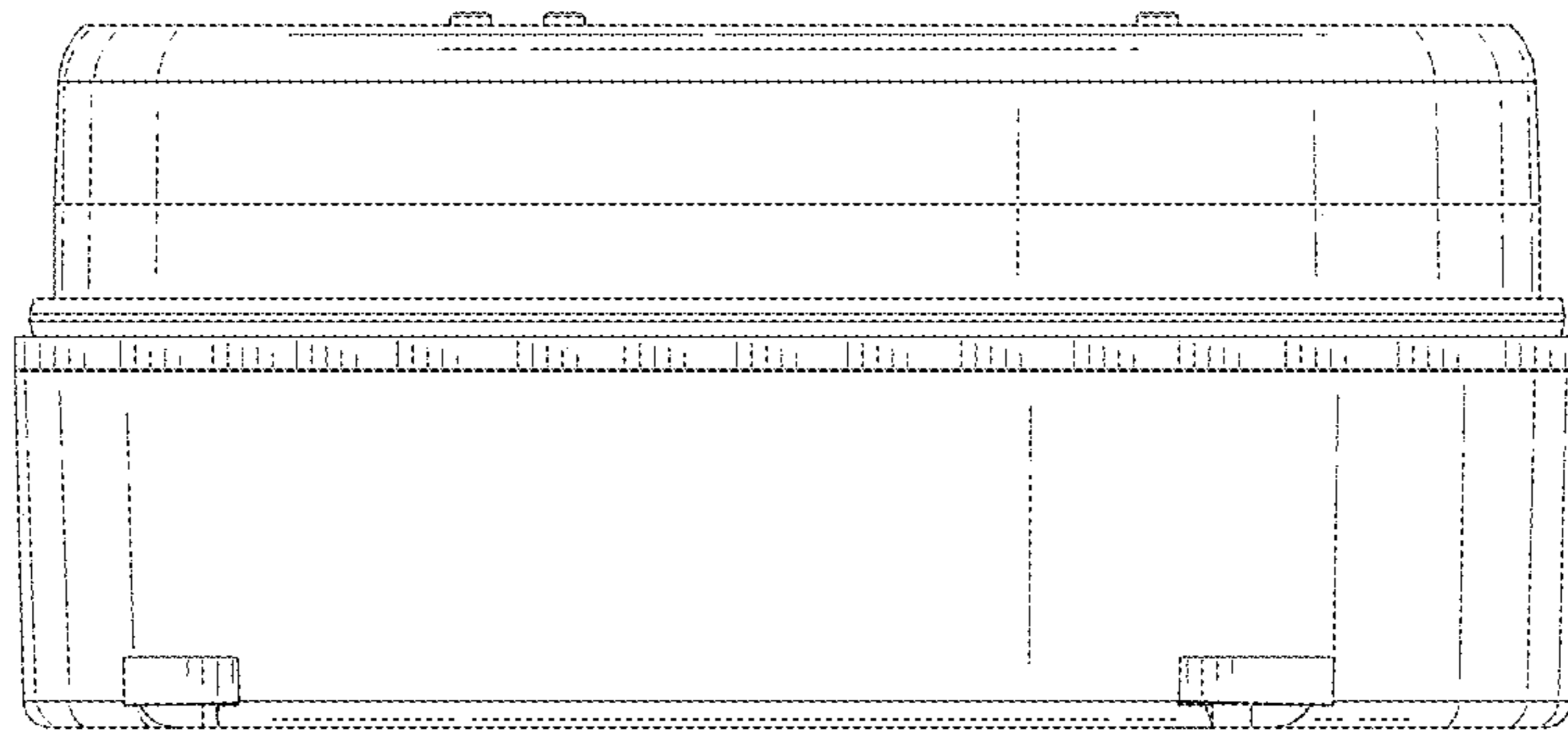


FIG.8

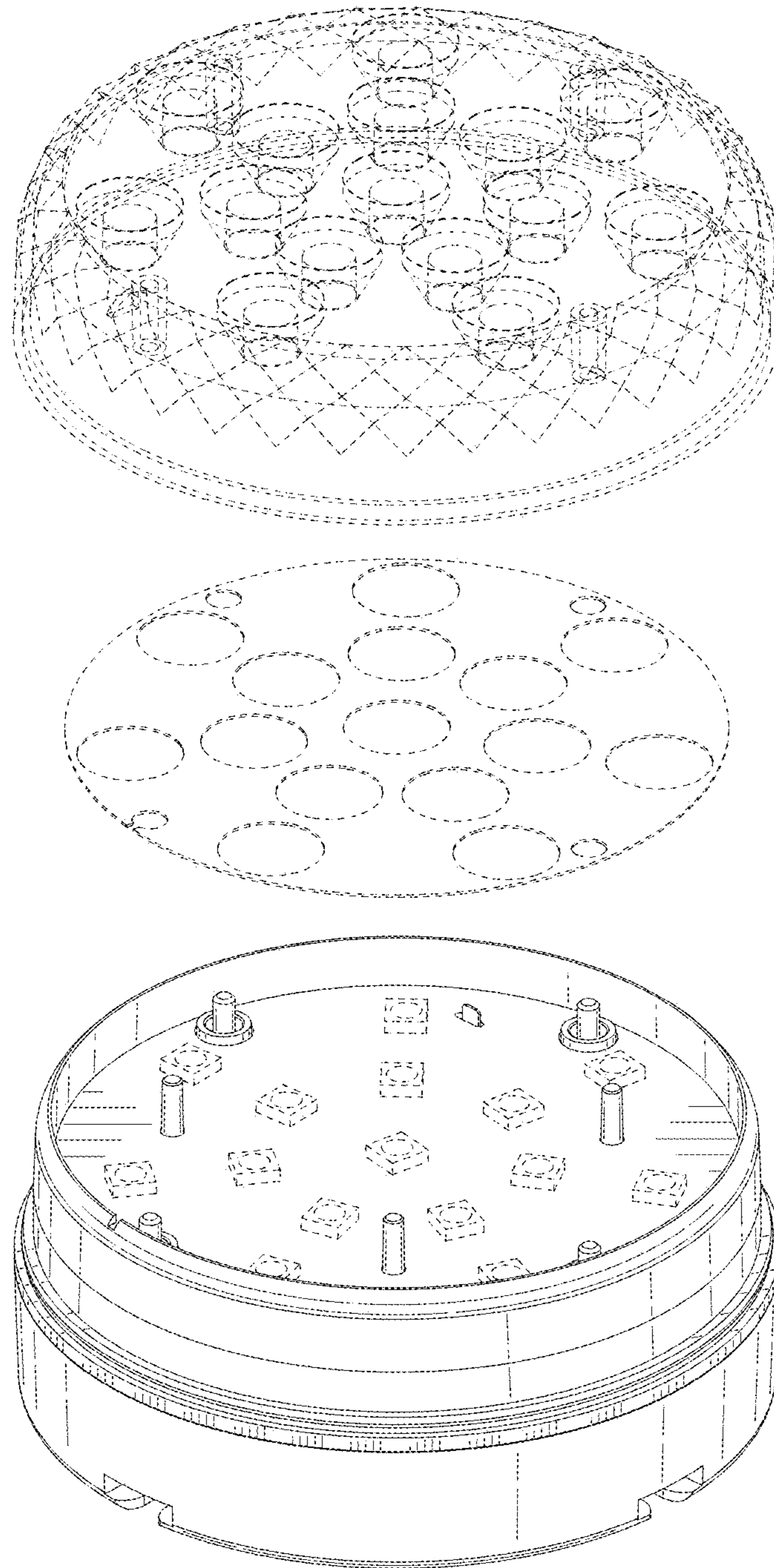


FIG.9

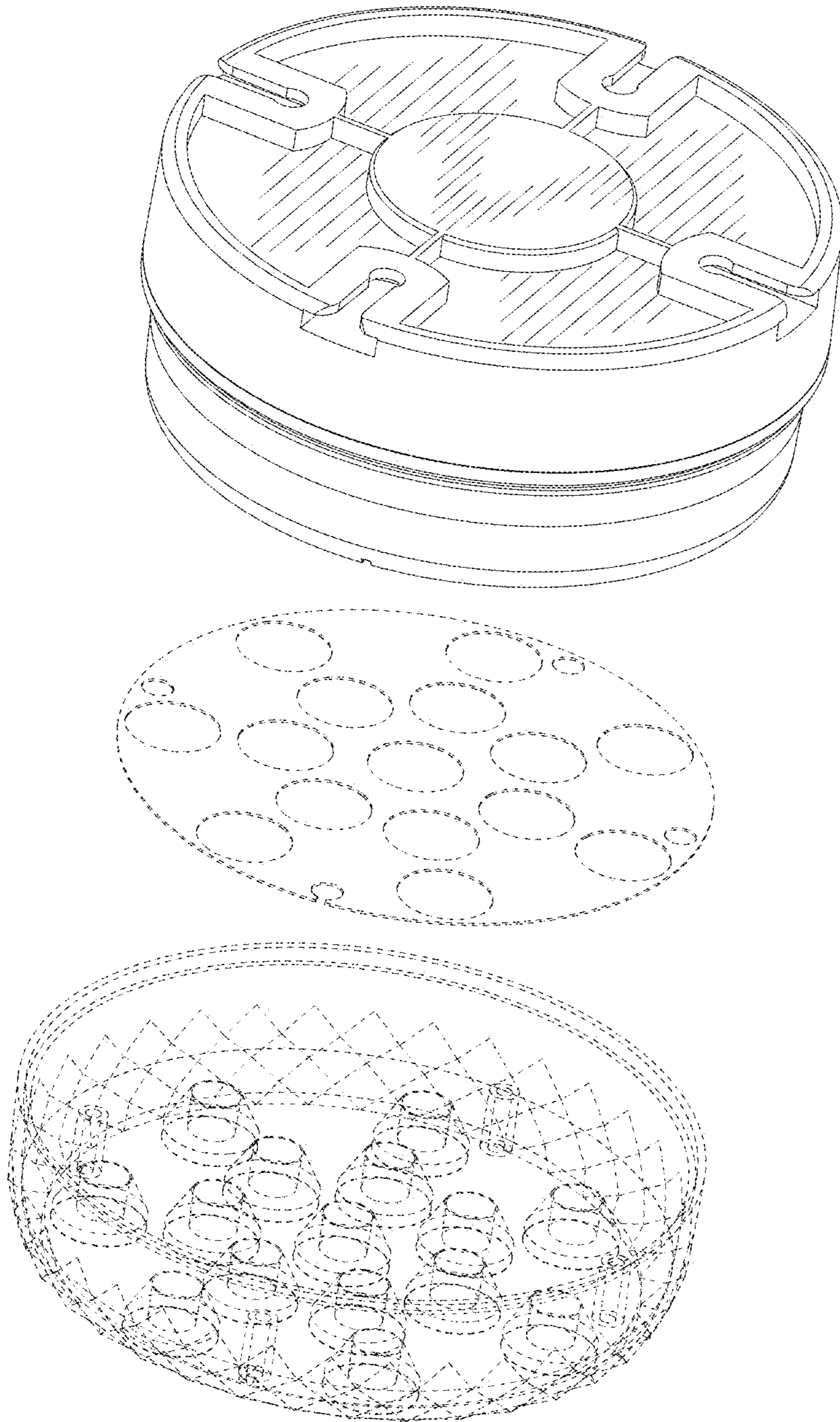


FIG.10

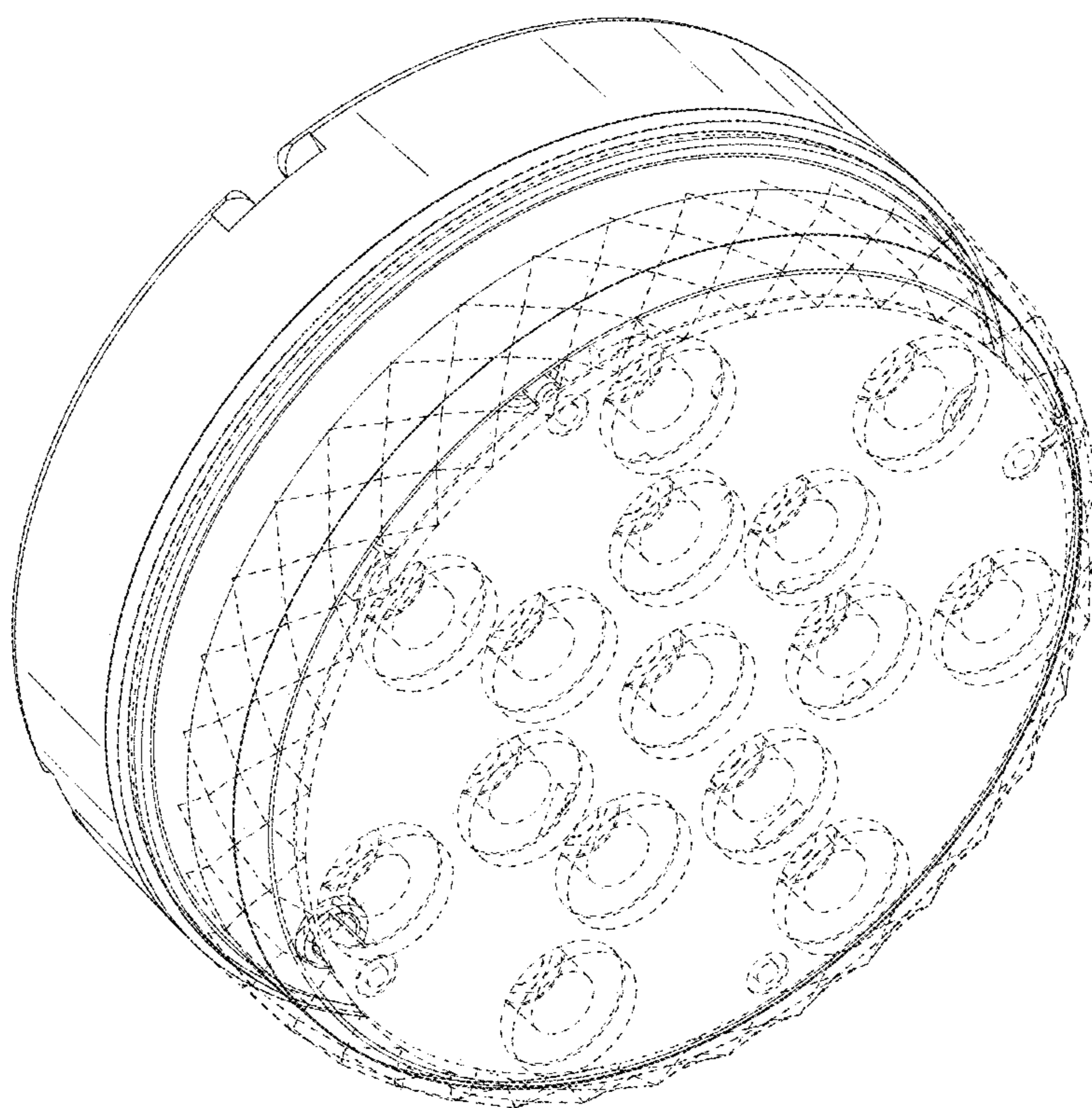


FIG.11

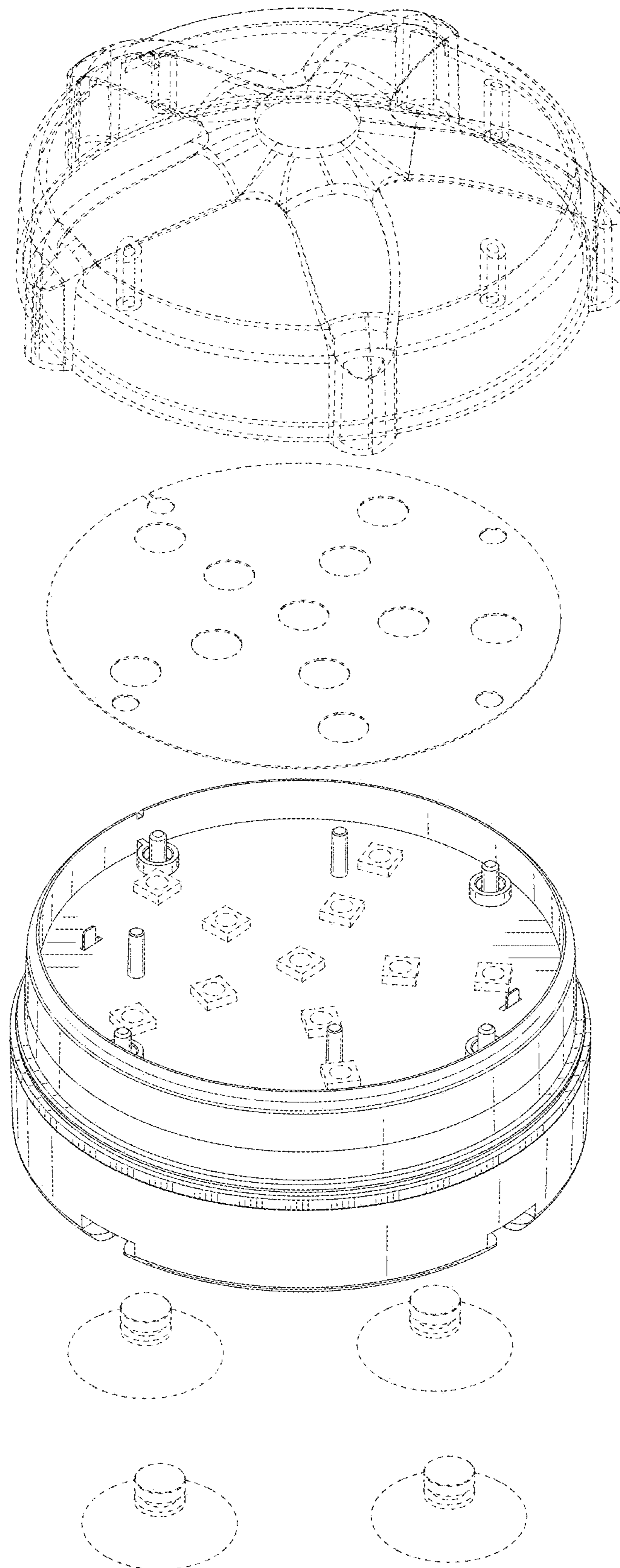


FIG.12

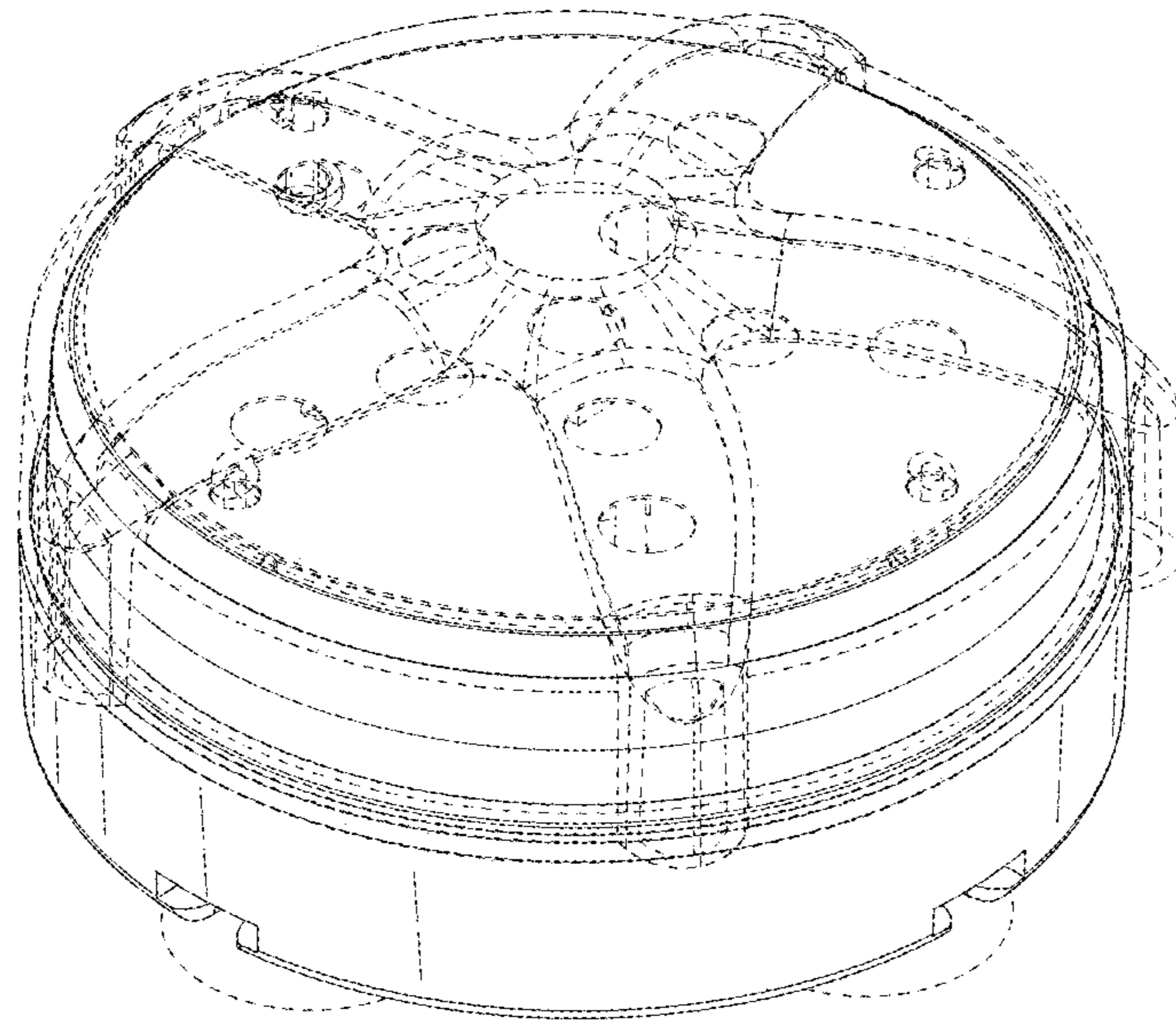


FIG.13