



US00D977179S

(12) **United States Design Patent**  
**Ye et al.**

(10) **Patent No.:** **US D977,179 S**  
(45) **Date of Patent:** **\*\* Jan. 31, 2023**

(54) **GROW LIGHT**

(71) Applicant: **Shenzhen Westland technology Co., Ltd.**, Shenzhen (CN)

(72) Inventors: **Taijun Ye**, Shenzhen (CN); **Dequan Lin**, Shenzhen (CN); **Wuyi Li**, Shenzhen (CN); **Jianjun Huang**, Shenzhen (CN)

(\*\*) Term: **15 Years**

(21) Appl. No.: **29/797,049**

(22) Filed: **Jun. 29, 2021**

(51) **LOC (14) Cl.** ..... **26-05**

(52) **U.S. Cl.**  
USPC ..... **D26/118**

(58) **Field of Classification Search**  
USPC ..... D26/24, 43, 59, 60, 61, 62, 63, 72, 76,  
D26/80, 83, 89, 102, 109, 110, 118, 120  
CPC ..... F21S 8/00; F21S 8/04; F21S 8/06; F21S  
8/026; F21S 8/032; F21S 8/033; F21S  
8/081; F21S 4/28; F21V 21/00; F21V  
21/02; F21V 21/008  
See application file for complete search history.

(56) **References Cited**

**U.S. PATENT DOCUMENTS**

D822,881 S \* 7/2018 Drew ..... D26/118  
D838,032 S \* 1/2019 Drew ..... D26/118  
D884,930 S \* 5/2020 Tang ..... D26/24

D918,453 S \* 5/2021 Rang ..... D26/63  
D925,106 S \* 7/2021 Xu ..... D26/118  
D928,388 S \* 8/2021 Xu ..... D26/118  
D934,482 S \* 10/2021 Huang ..... D26/80  
D947,438 S \* 3/2022 Zhang ..... D26/76  
D953,592 S \* 5/2022 Wang ..... D26/60

\* cited by examiner

*Primary Examiner* — Wan Laymon

*Assistant Examiner* — Clint A Samuel

(74) *Attorney, Agent, or Firm* — Runit R. Kanakia

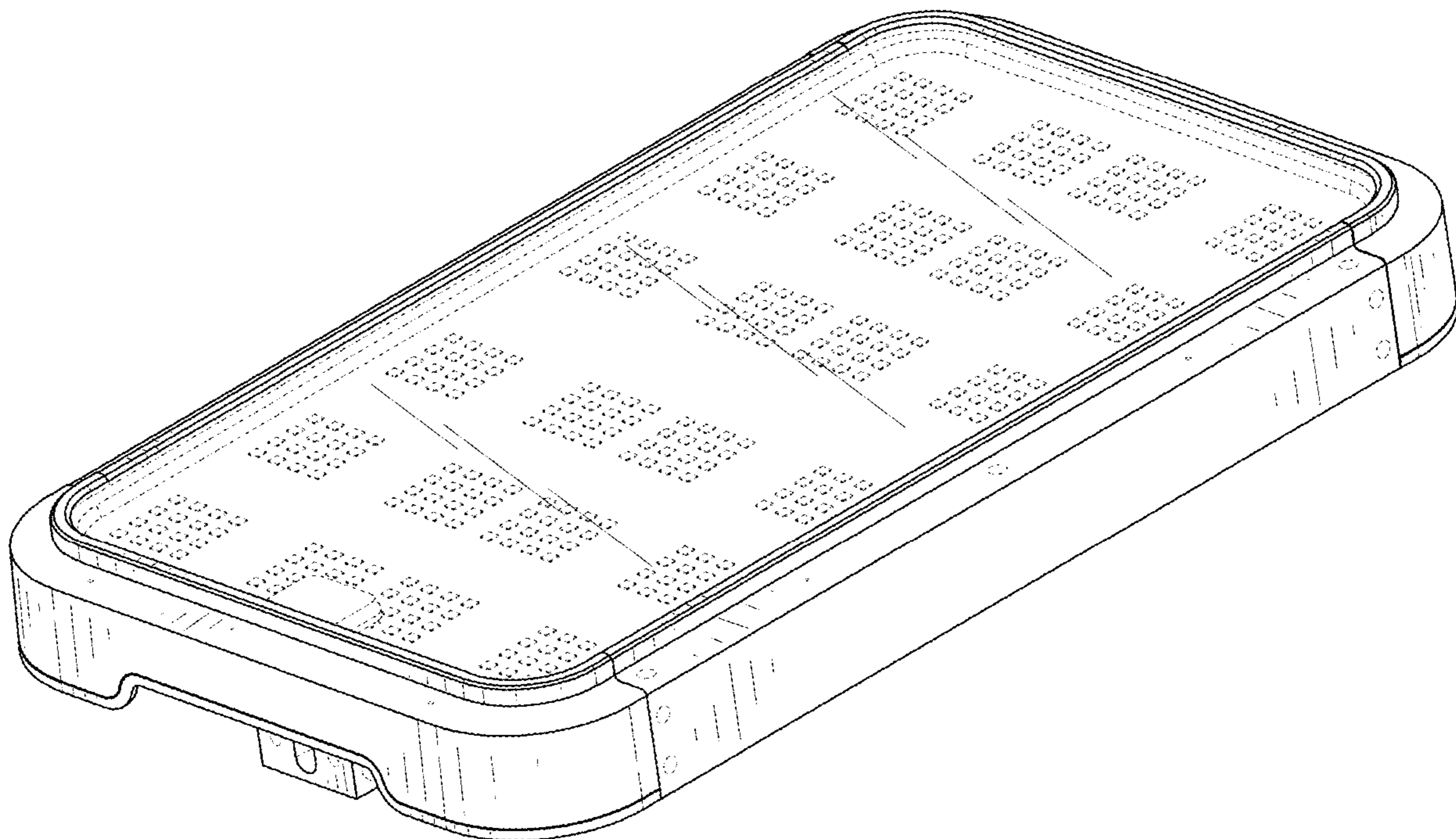
(57) **CLAIM**

The ornamental design for a grow light, as shown and described.

**DESCRIPTION**

FIG. 1 is a first perspective view of a grow light showing my new design;  
FIG. 2 is a second perspective view thereof;  
FIG. 3 is a front view thereof;  
FIG. 4 is a back view thereof;  
FIG. 5 is a left side view thereof;  
FIG. 6 is a right side view thereof;  
FIG. 7 is a top view thereof;  
FIG. 8 is a bottom view thereof; and,  
FIG. 9 is an enlarged view of the selected portion in FIG. 2.  
The broken lines shown in the drawings depict portions of the grow light in which the design is embodied that form no part of the claimed design.

**1 Claim, 9 Drawing Sheets**



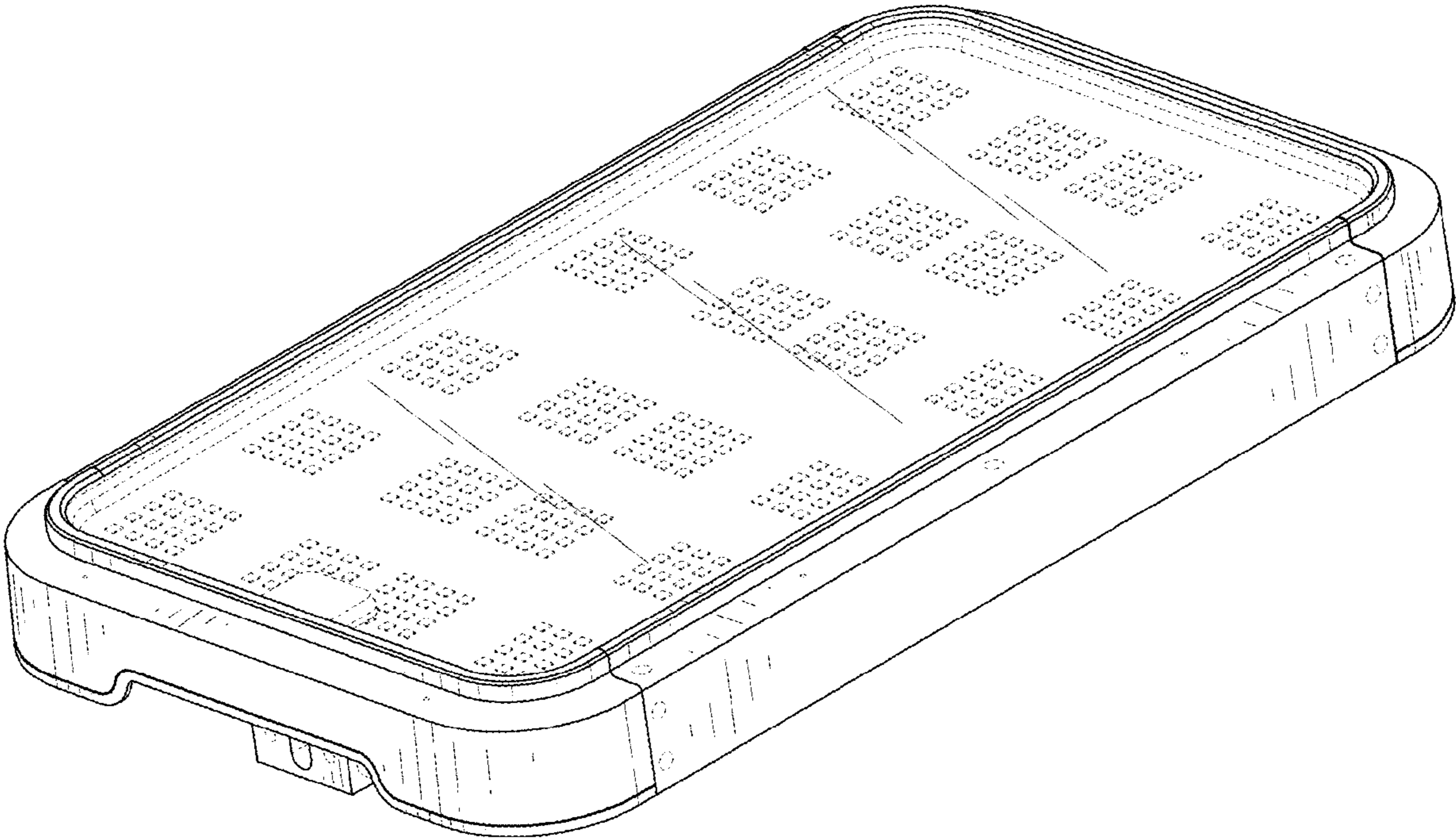


FIG. 1

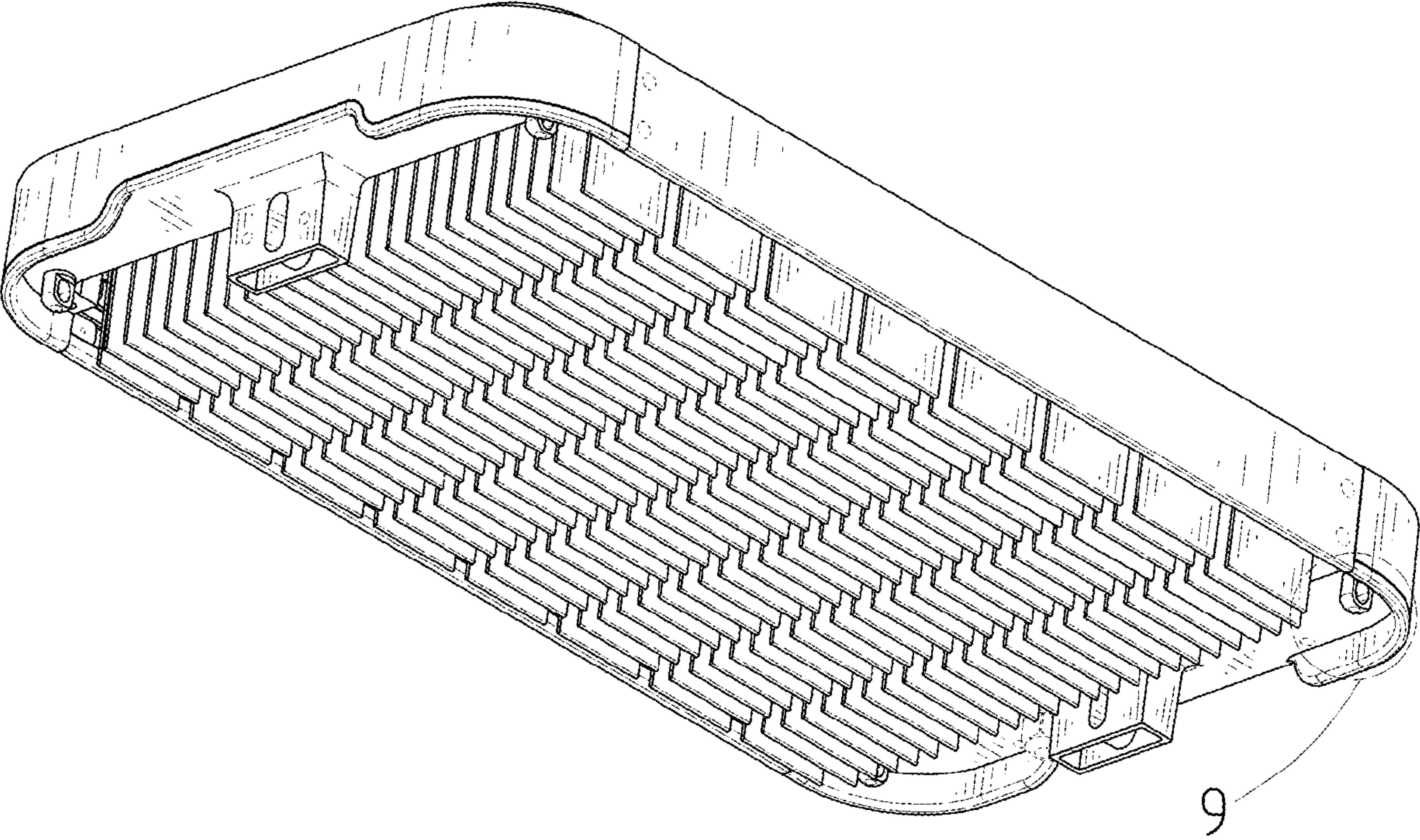


FIG. 2

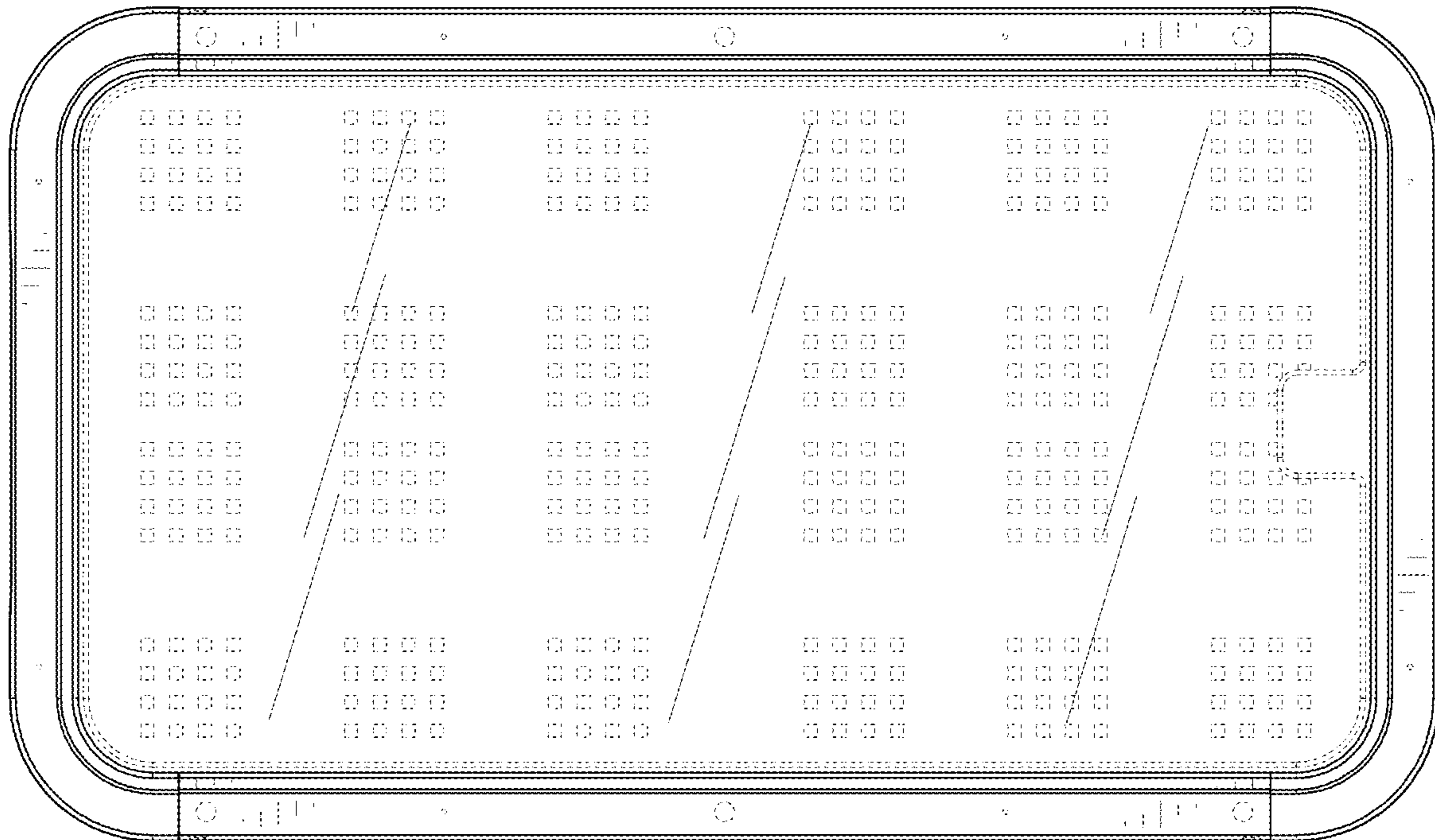


FIG. 3

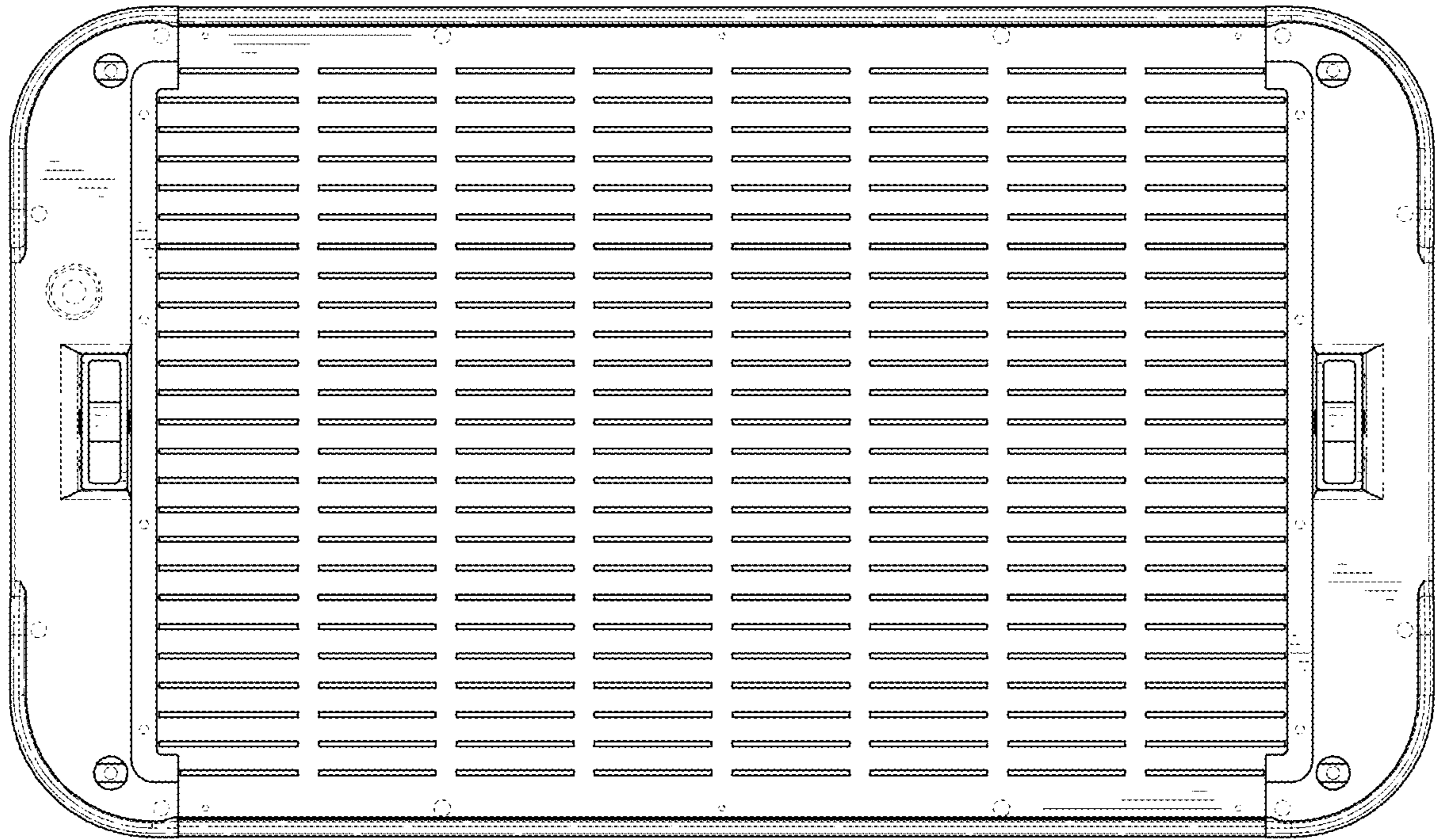


FIG. 4

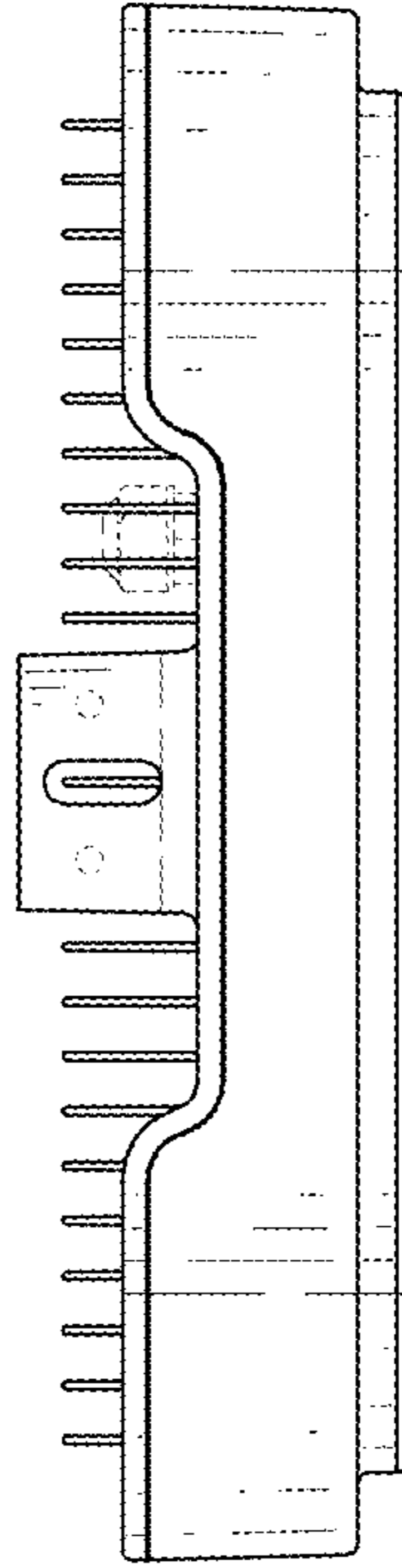


FIG. 5

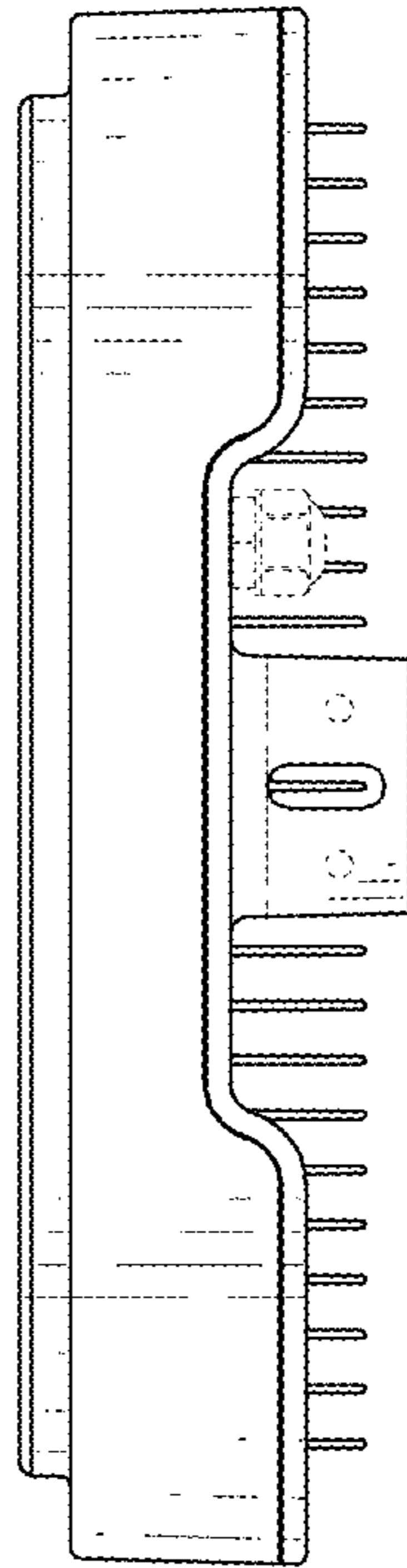


FIG. 6

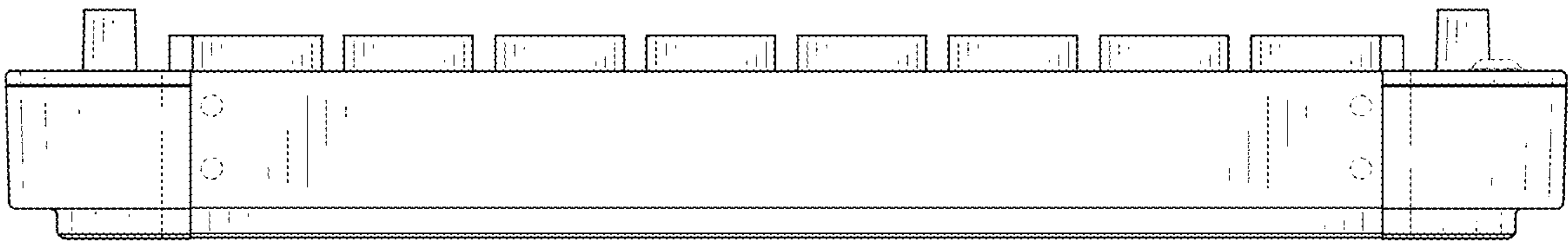


FIG. 7



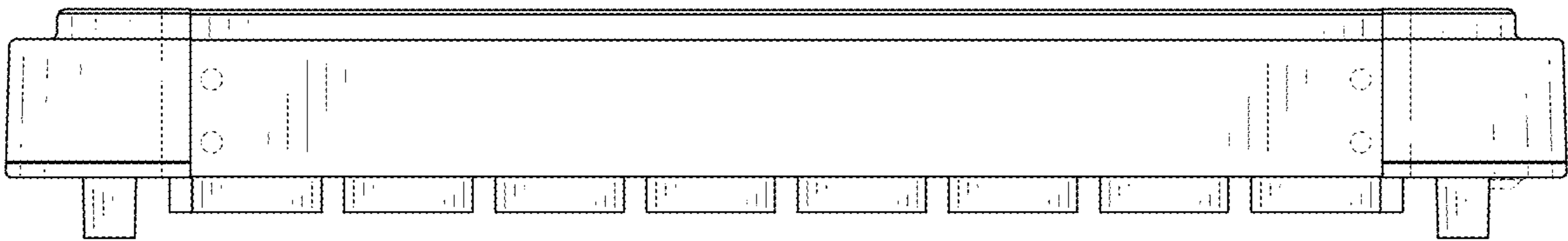


FIG. 8

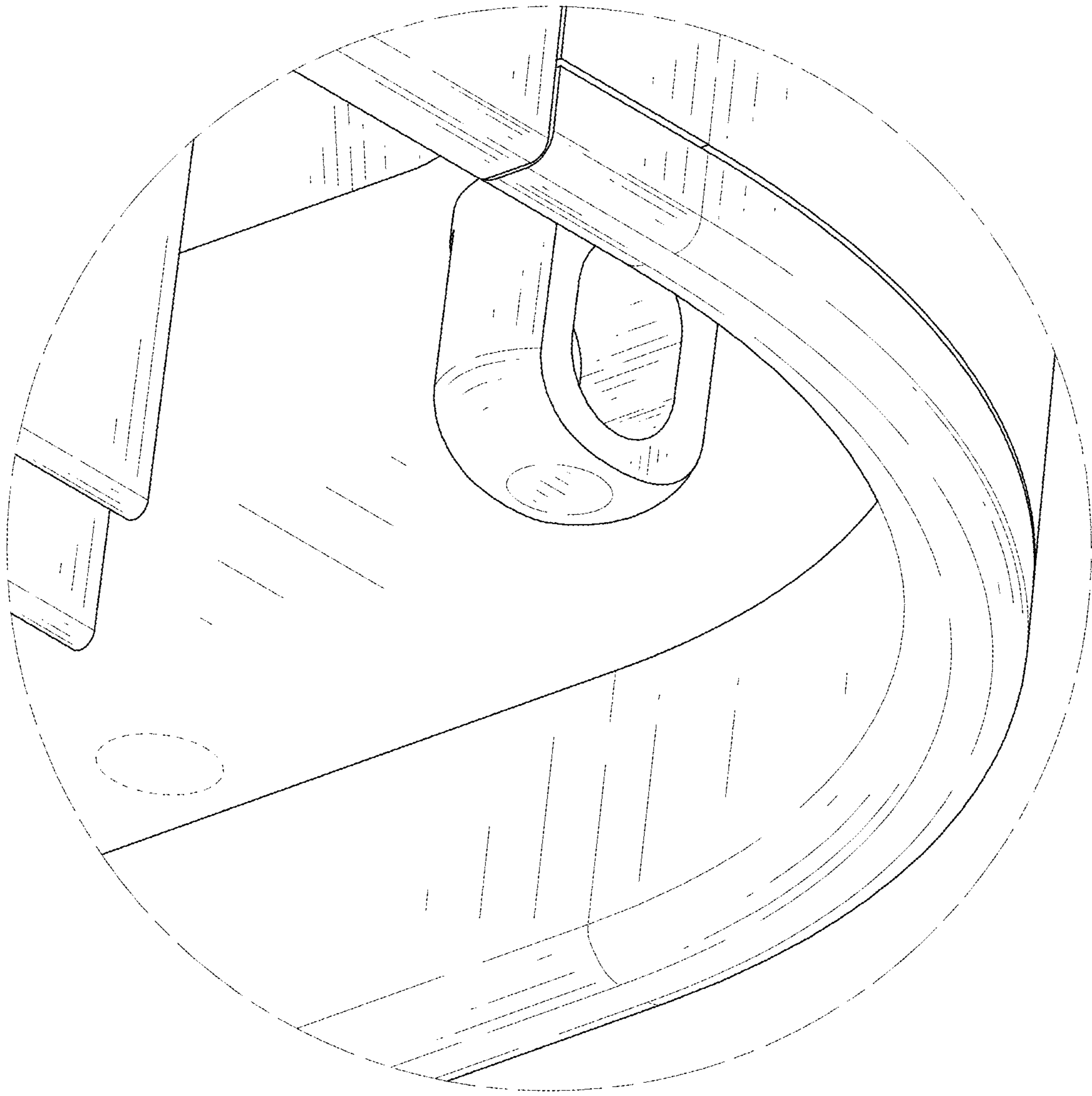


FIG. 9