



US00D977177S

(12) **United States Design Patent** (10) **Patent No.:** **US D977,177 S**  
**Li** (45) **Date of Patent:** **\*\* Jan. 31, 2023**

(54) **PROJECTION LAMP**

FOREIGN PATENT DOCUMENTS

(71) Applicant: **Xuequan Li**, Shenzhen (CN)

CN 212325596 U \* 1/2021

(72) Inventor: **Xuequan Li**, Shenzhen (CN)

CN 215722694 U \* 2/2022

CN 307425266 \* 6/2022

(\*\*) Term: **15 Years**

OTHER PUBLICATIONS

(21) Appl. No.: **29/833,957**

Resin Astronaut Ornament, first available Dec. 12, 2019, retrieved Aug. 1, 2022 from URL: <https://www.youtube.com/watch?v=eddeEPKXYGY> (Year: 2019).\*

(22) Filed: **Apr. 8, 2022**

Clesea Kids Star Projector Night Light with Timer, first available Aug. 13, 2021, retrieved on Aug. 1, 2022 from URL: [https://www.amazon.com/Projector-Control-360%C2%B0Adjustable-Astronaut-Children/dp/B09CKZPJFV/ref=sr\\_1\\_1?keywords=chelsea&qid=1659356658&sr=8-1](https://www.amazon.com/Projector-Control-360%C2%B0Adjustable-Astronaut-Children/dp/B09CKZPJFV/ref=sr_1_1?keywords=chelsea&qid=1659356658&sr=8-1) (Year: 2021).\*

**Related U.S. Application Data**

(63) Continuation of application No. 29/807,820, filed on Sep. 15, 2021, now Pat. No. Des. 965,848.

\* cited by examiner

(51) **LOC (14) Cl.** ..... **26-05**

*Primary Examiner* — Richard Kearney

(52) **U.S. Cl.**

*Assistant Examiner* — Christina M. Dodson

USPC ..... **D26/99**; D21/637

(58) **Field of Classification Search**

(57) **CLAIM**

USPC ..... D2/739, 870, 878, 879, 882; D16/221, D16/232; D21/576, 585, 594, 637; D26/25, 26, 32, 40, 47, 57, 67, 70, 73, D26/94, 96–99, 118, 125–126, 146, 147, D26/156; D29/102, 104–107

The ornamental design for a projection lamp, as shown and described.

CPC ..... F21V 3/02; F21S 8/035  
See application file for complete search history.

**DESCRIPTION**

(56) **References Cited**

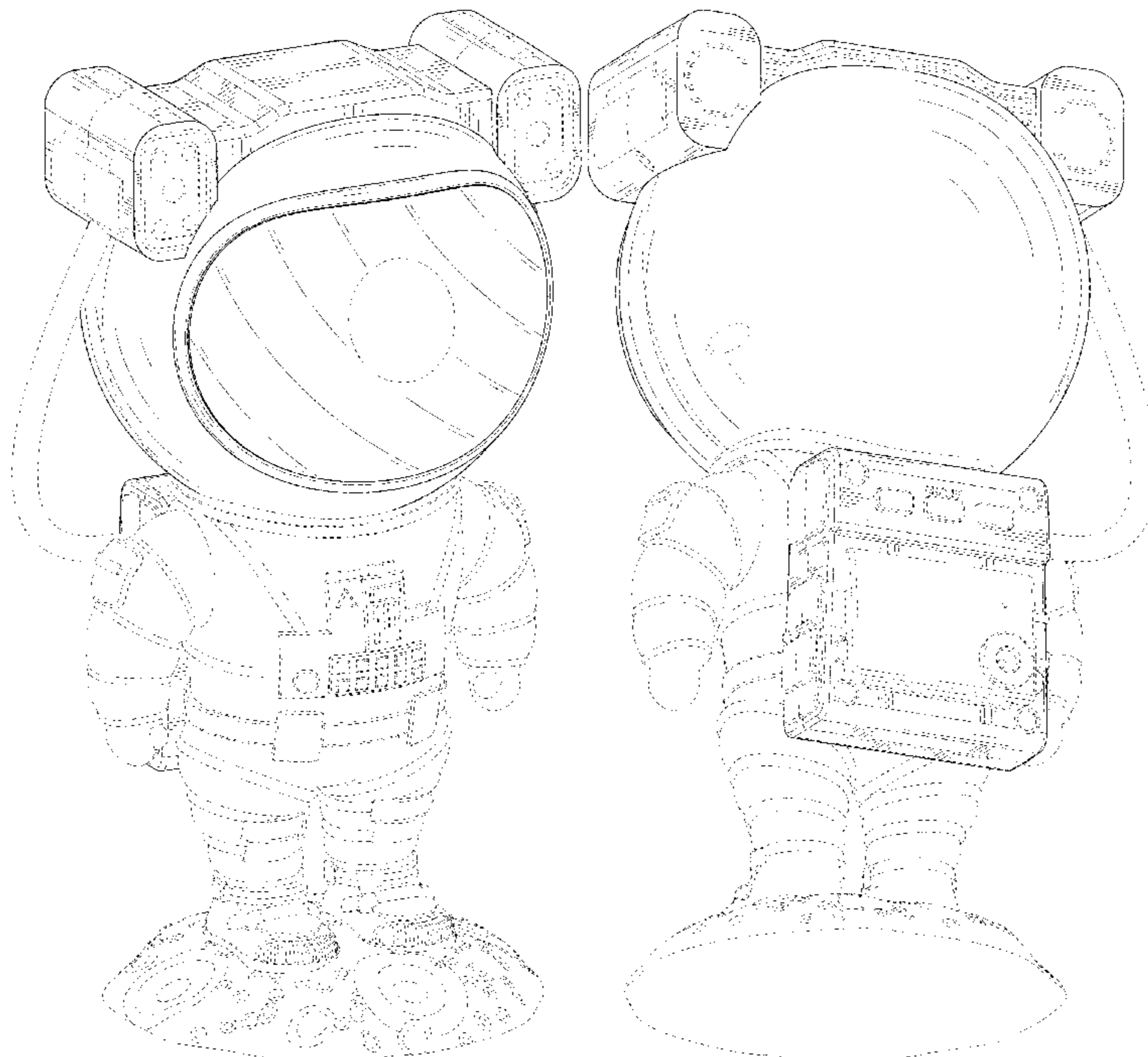
FIG. 1 is a perspective view of a projection lamp showing my new design;  
FIG. 2 is another perspective view thereof;  
FIG. 3 is a front elevational view thereof;  
FIG. 4 is a rear elevational view thereof;  
FIG. 5 is a left side elevational view thereof;  
FIG. 6 is a right side elevational view thereof;  
FIG. 7 is a top plan view thereof; and,  
FIG. 8 is a bottom plan view thereof.

**U.S. PATENT DOCUMENTS**

D257,590 S \* 12/1980 Jackson ..... D21/637  
D315,749 S \* 3/1991 Visco ..... D21/637  
D316,134 S \* 4/1991 Gianacacos ..... D21/637  
D476,159 S \* 6/2003 Blaustein ..... D4/107  
D518,531 S \* 4/2006 Vigliano ..... D21/637

The broken lines in the drawings depict portions of the projection lamp that form no part of the claimed design.

**1 Claim, 8 Drawing Sheets**



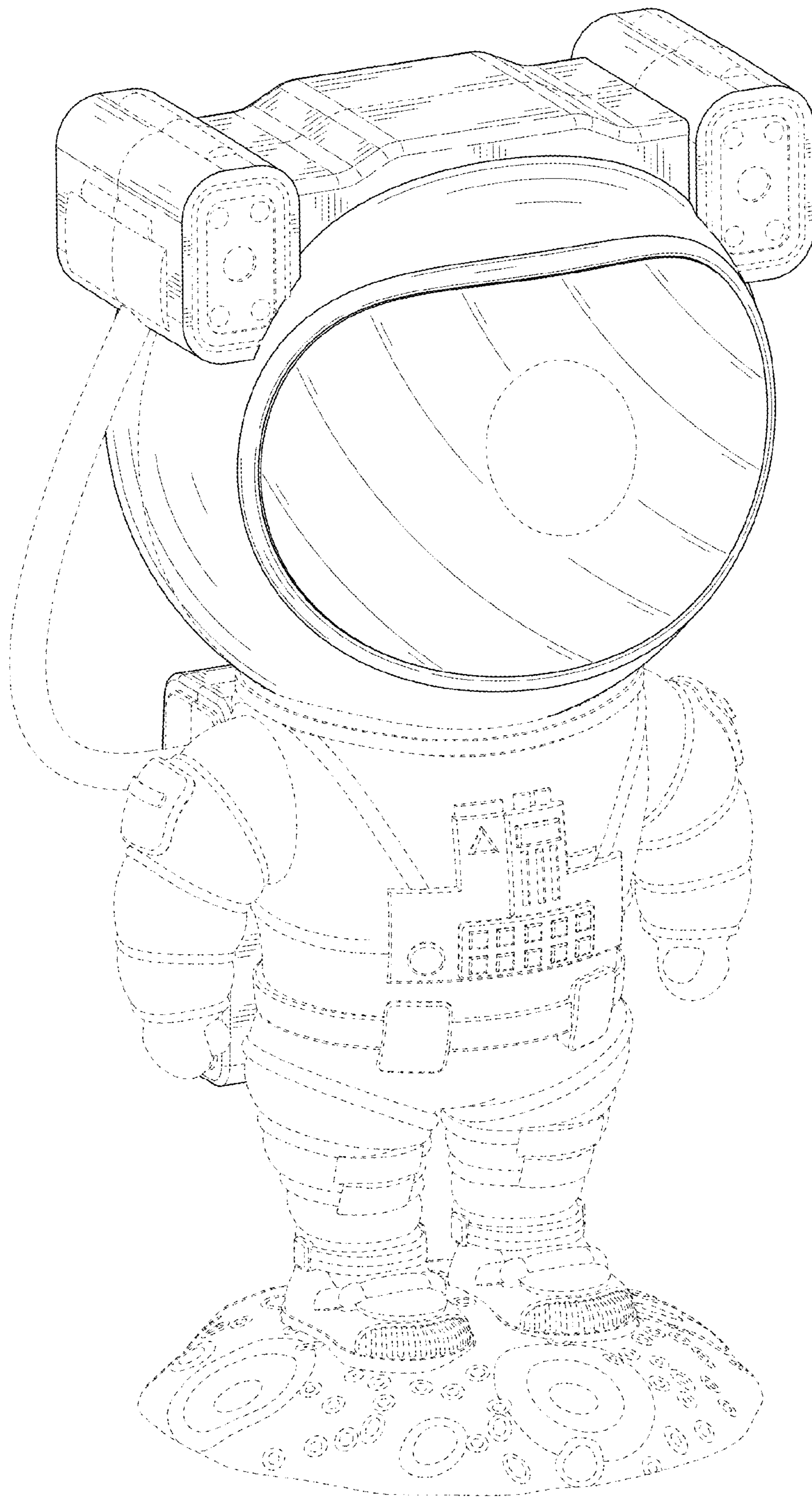


FIG. 1

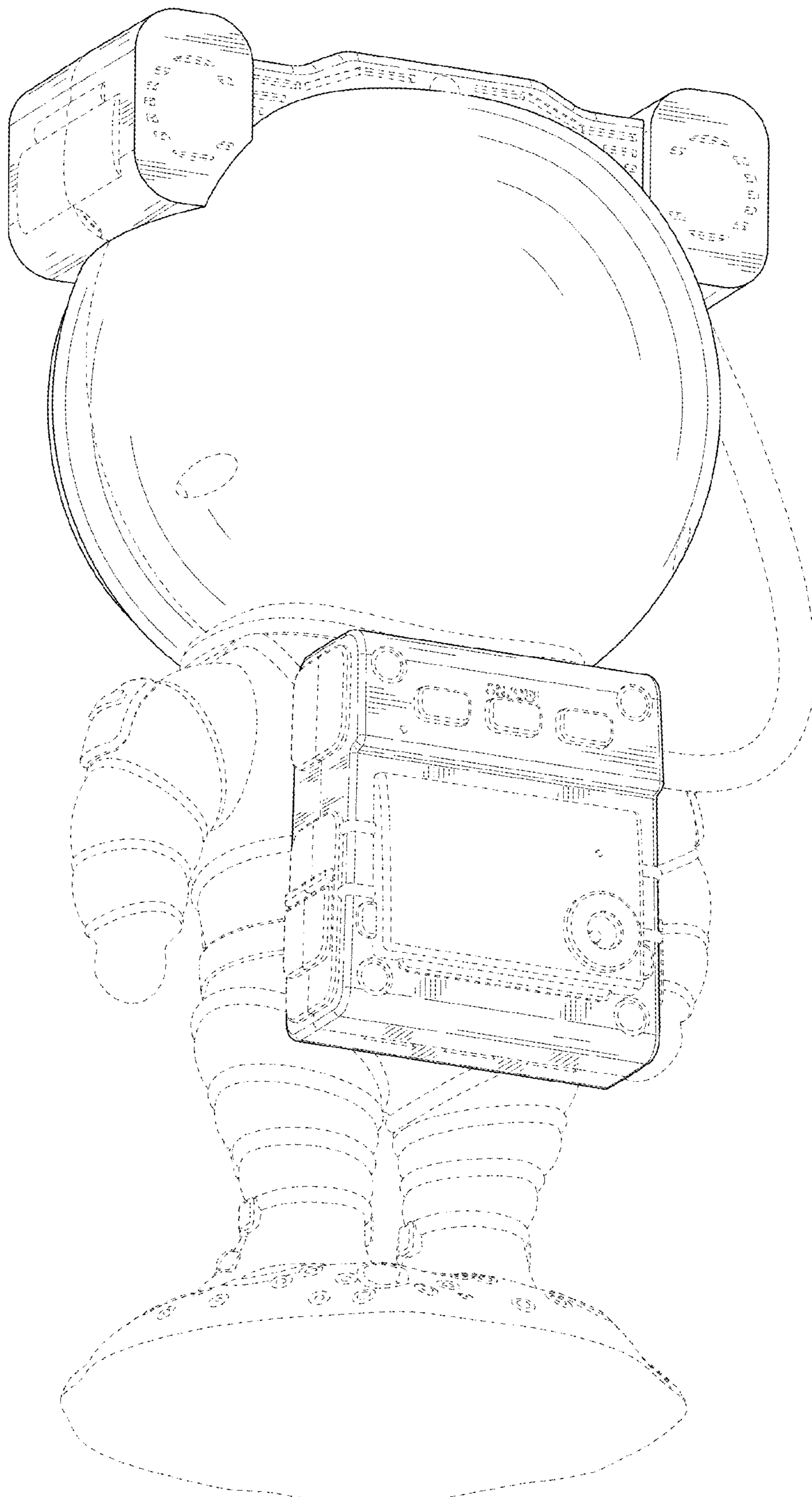


FIG. 2



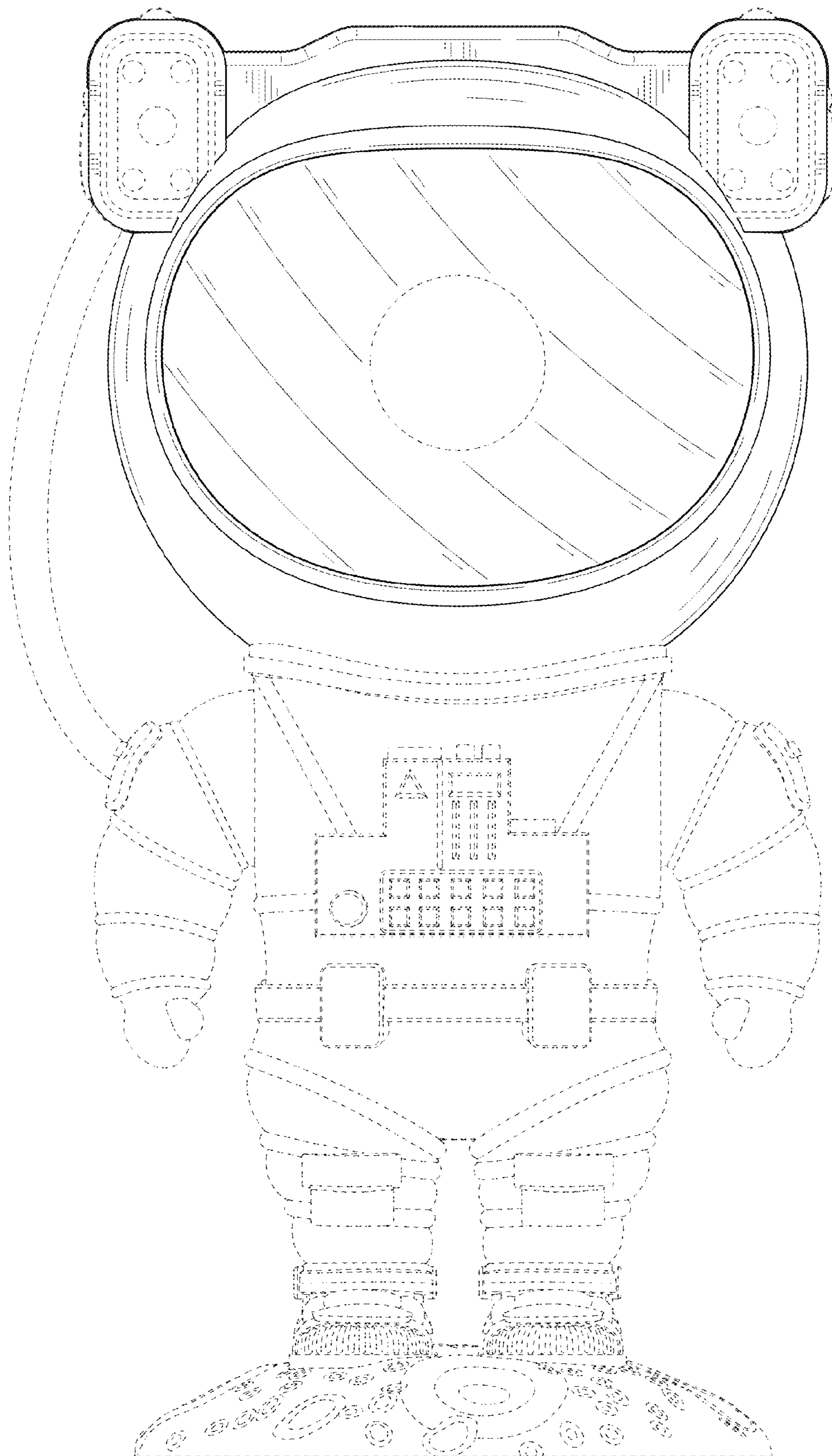


FIG. 3

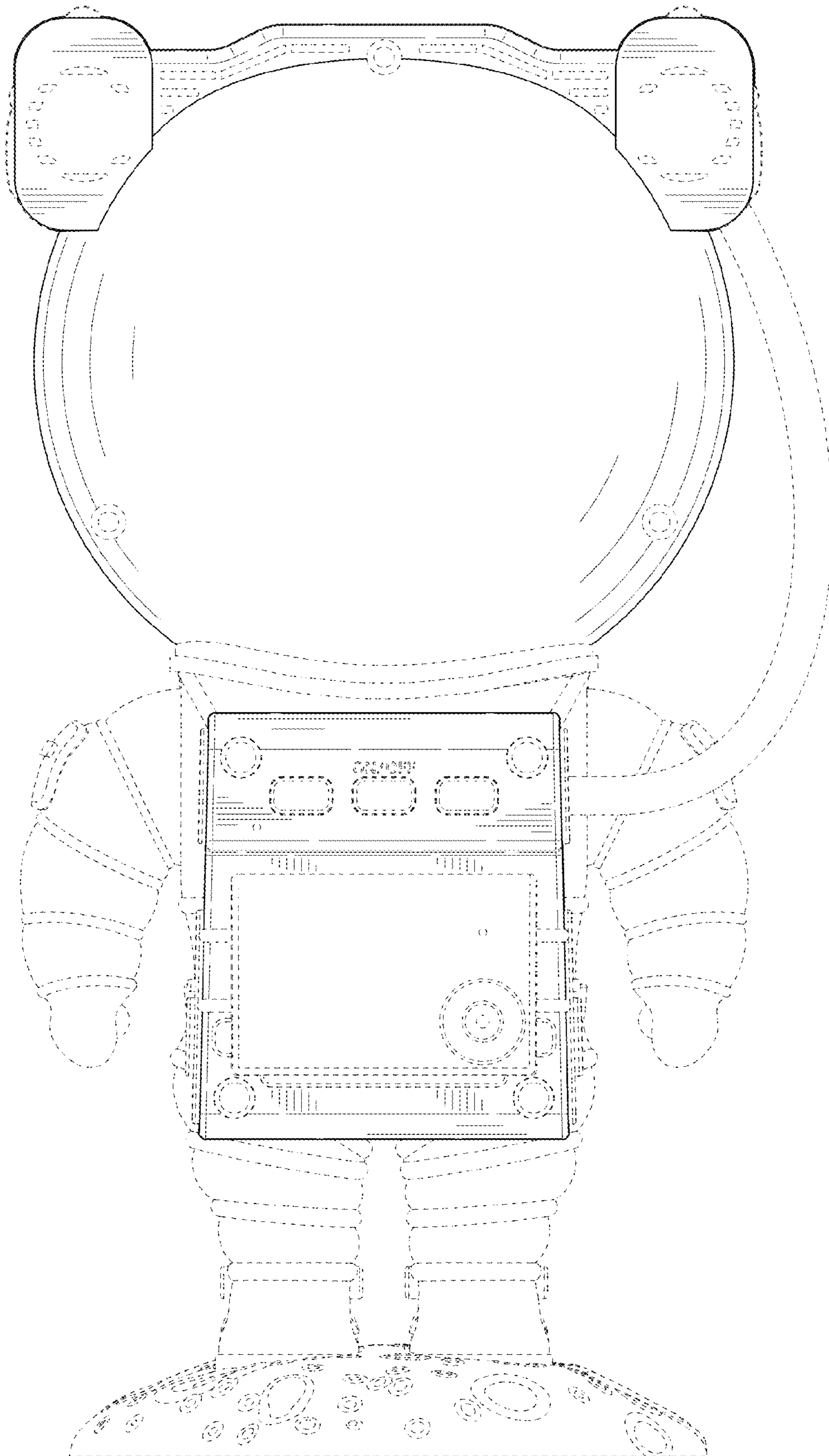


FIG. 4

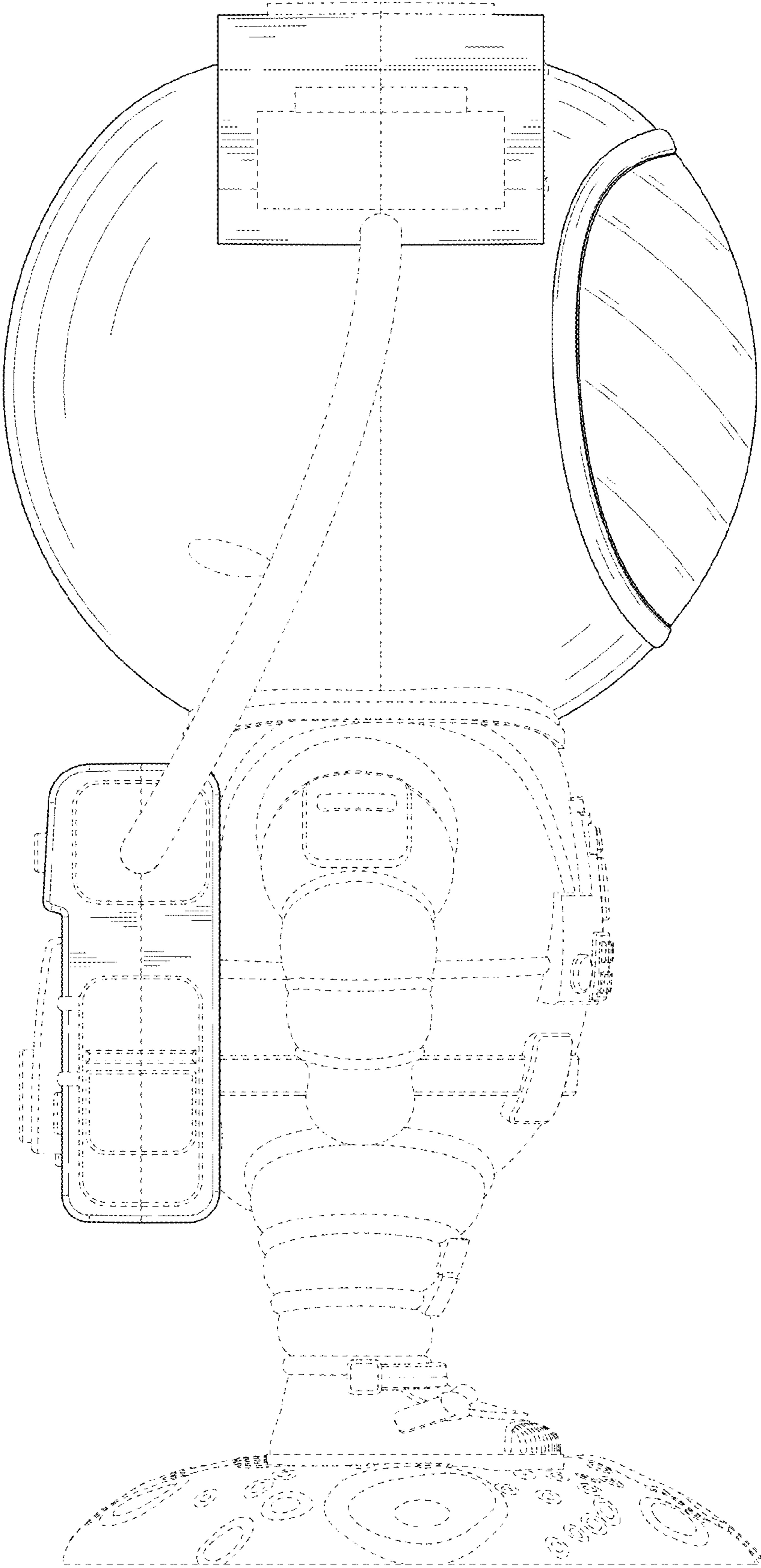


FIG. 5

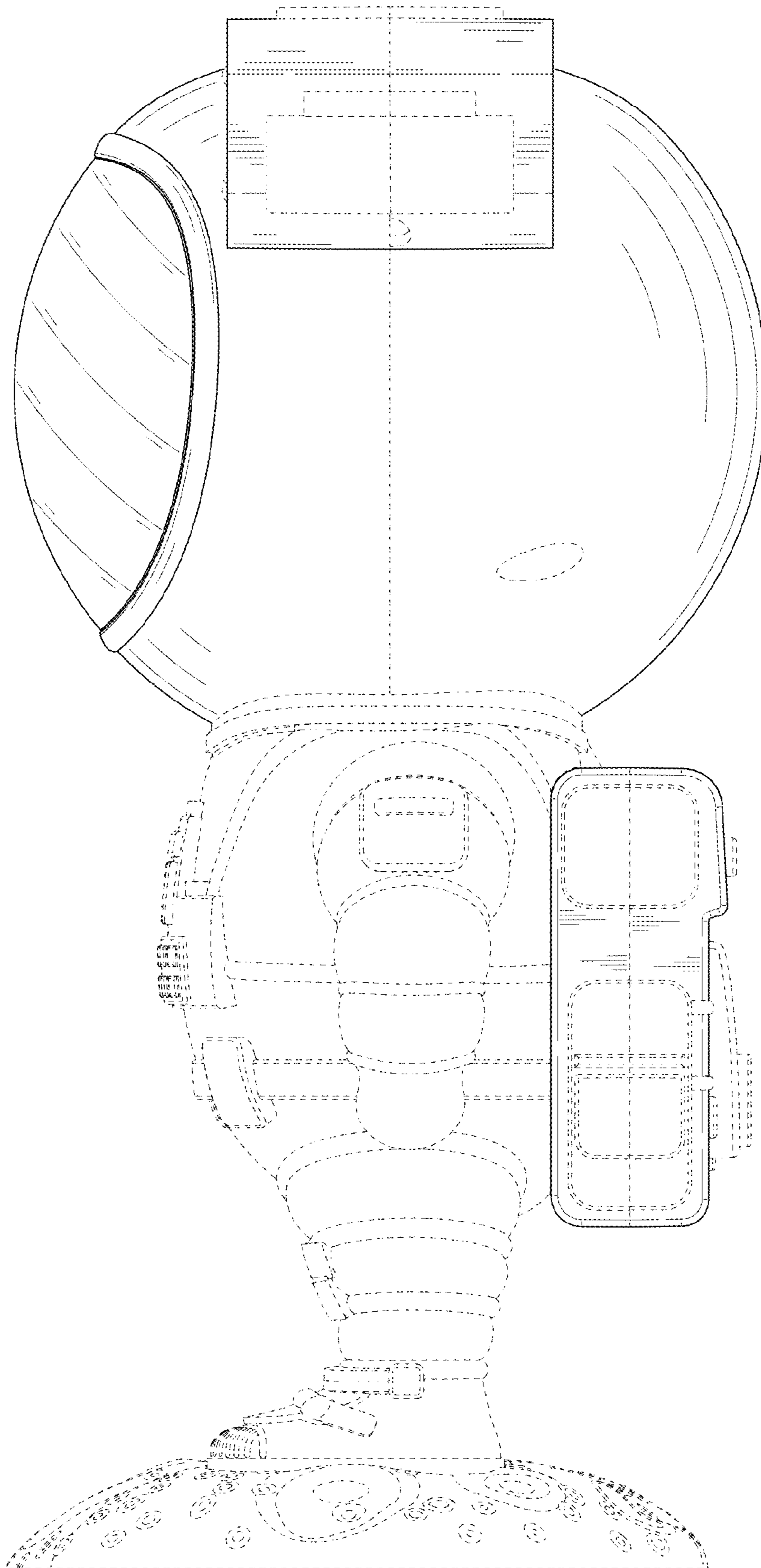


FIG. 6

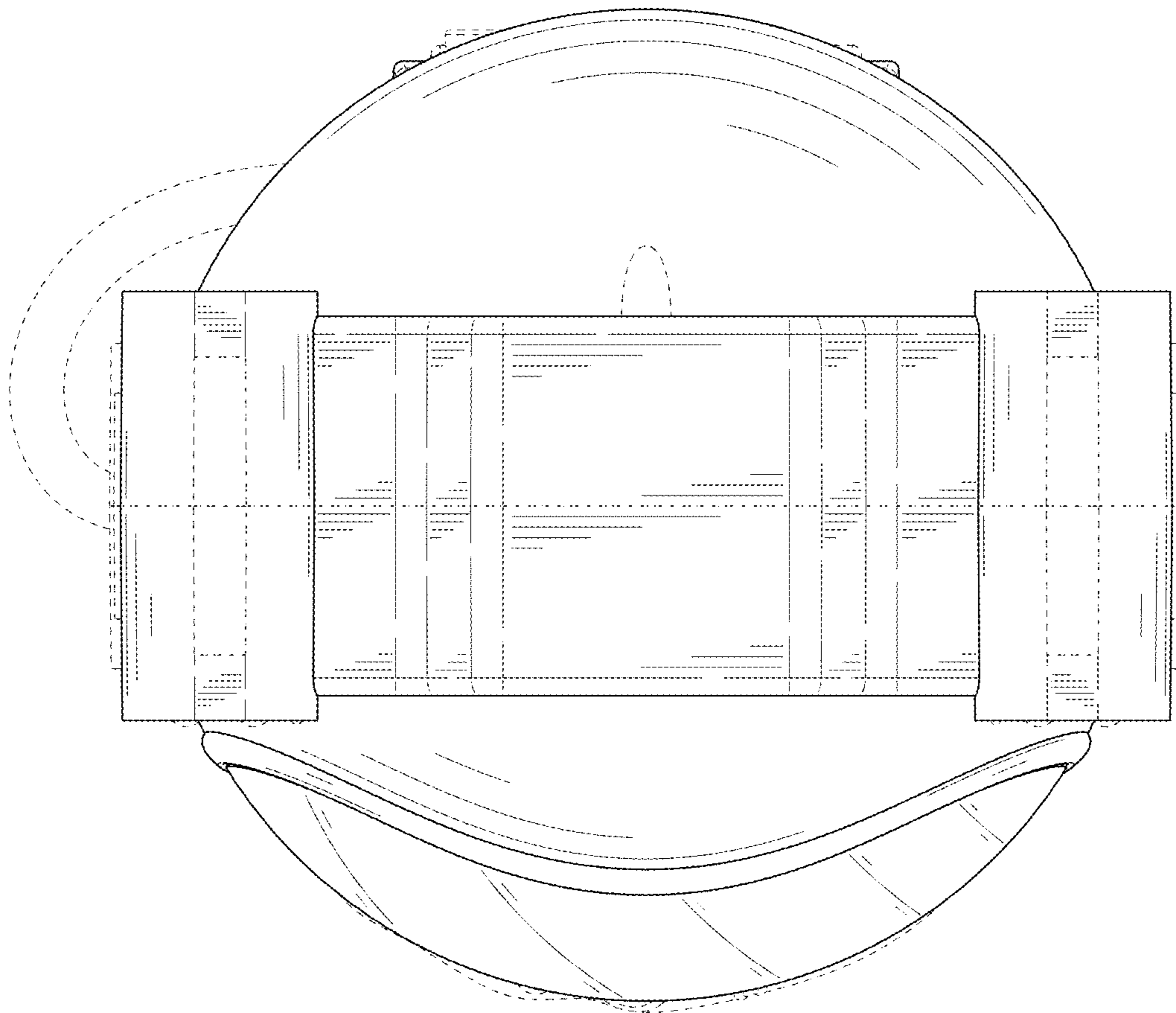


FIG. 7



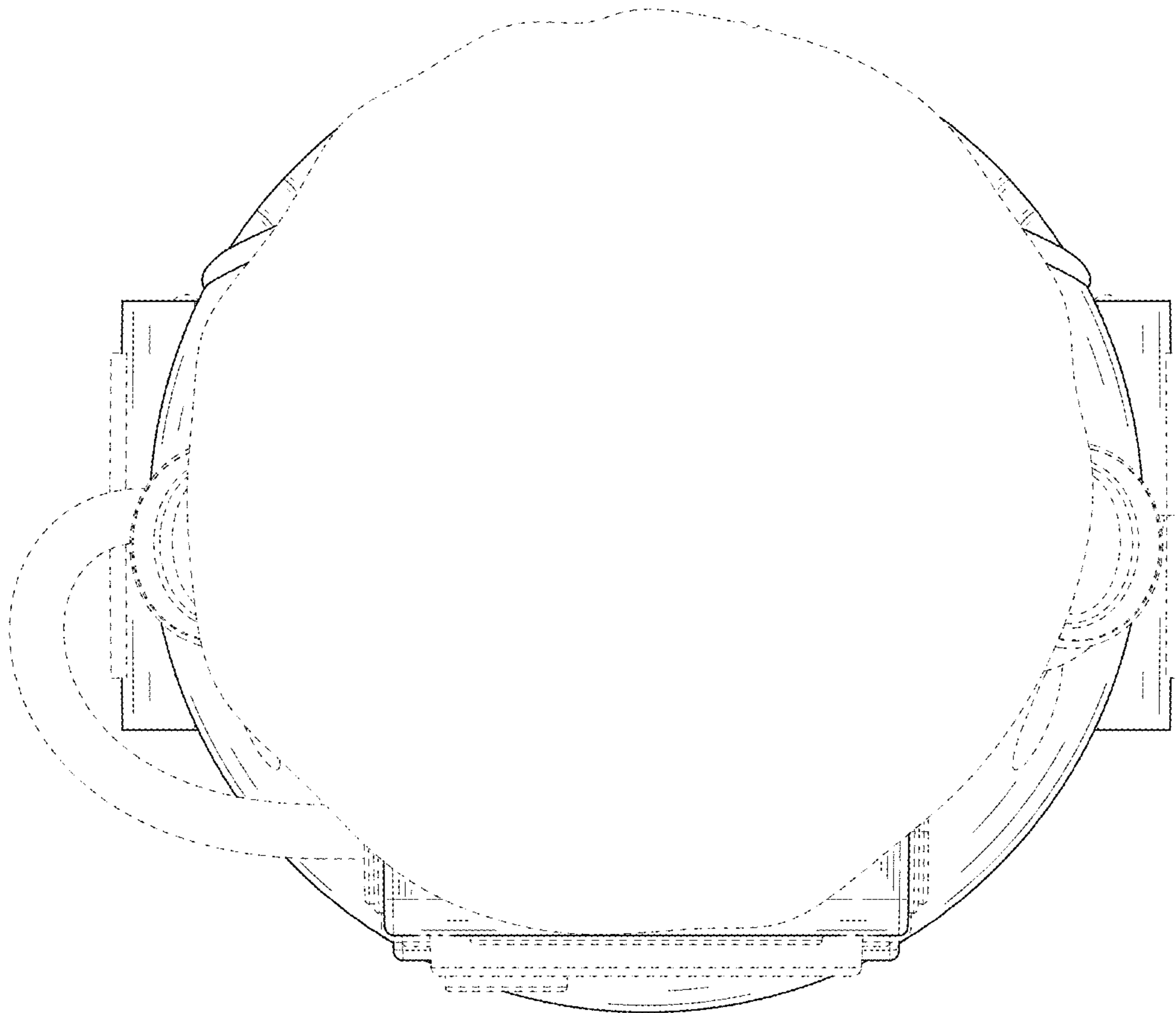


FIG. 8