



US00D977176S

(12) **United States Design Patent**
Zhang

(10) **Patent No.:** **US D977,176 S**
(45) **Date of Patent:** **** Jan. 31, 2023**

- (54) **WOOD FLOOR LAMP**
- (71) Applicant: **Xiaoyu Zhang**, Puning (CN)
- (72) Inventor: **Xiaoyu Zhang**, Puning (CN)
- (73) Assignee: **Xiaoyu Zhang**, Puning (CN)
- (**) Term: **15 Years**

D781,491 S * 3/2017 Waldmann D26/107
 D816,885 S * 5/2018 Tsai D26/107
 D822,266 S 7/2018 Jiang
 D851,323 S * 6/2019 Barber D26/93
 (Continued)

- (21) Appl. No.: **29/842,970**
- (22) Filed: **Jun. 17, 2022**
- (51) **LOC (14) Cl.** **26-05**
- (52) **U.S. Cl.**
USPC **D26/93**
- (58) **Field of Classification Search**
USPC D26/1, 24, 61, 62, 65, 66, 76, 93, 104,
D26/105, 106, 107, 109, 110, 118
CPC F21S 6/00; F21S 6/002; F21S 6/003; F21S
6/004; F21S 6/005; F21S 6/006; F21S
6/007; F21S 6/043; F21S 8/08; F21S
8/032; F21S 10/00; F21S 10/02; F21S
10/06; F21S 10/007; F21V 21/00; F21V
21/02; F21V 21/06; F21W 2121/00;
F21W 2121/30; F21W 2121/301
See application file for complete search history.

FOREIGN PATENT DOCUMENTS

GB 6211653 * 6/2022

OTHER PUBLICATIONS

Shinola Utility Natural Wood Tree Floor Lamp. Jan. 2022. Site visited Sep. 28, 2022. [https://www.crateandbarrel.com/shinola-utility-natural-wood-tree-floor-lamp/s251247?localedetail=US&a=1552&campaignid=17338261613&adgroupid=134971603377&targetid=pla-1656373420449&pla_sku=251247&pcat=HSW&ag=adult&scid=scplp2512478sc_intid=251247&gclid=EAlalQobChMIzJudkuO4-glVVMv1Ch38XgmAEAQYAiA-BEgKvsPD_BwE] (Year: 2022).*

(Continued)

Primary Examiner — Wendy L Arminio
Assistant Examiner — Maheen Khurshid
 (74) *Attorney, Agent, or Firm* — Nitin Kaushik

(56) **References Cited**

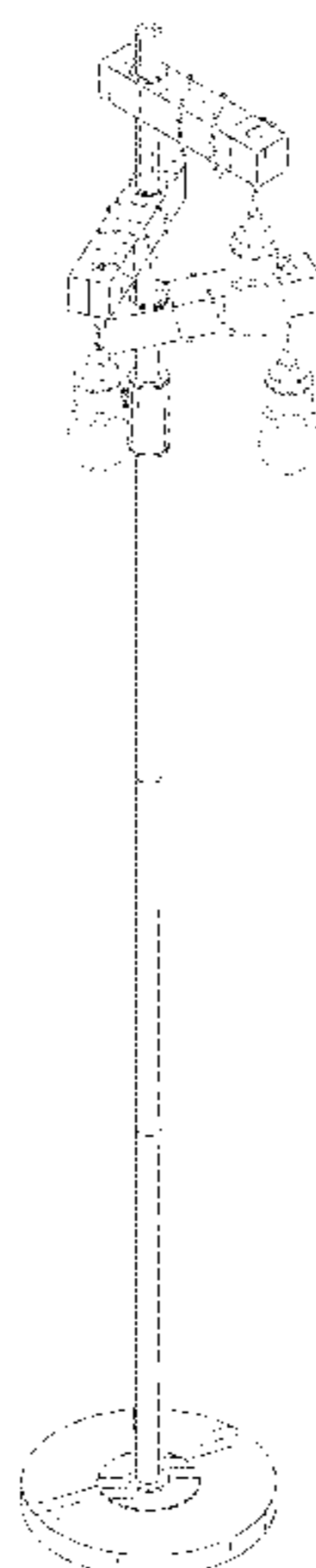
U.S. PATENT DOCUMENTS

D250,731 S * 1/1979 Castiglioni D26/93
 D325,262 S * 4/1992 Winn D26/65
 D328,360 S * 7/1992 Fuller D26/66
 D368,548 S * 4/1996 Lee D26/93
 D374,735 S * 10/1996 Huang D26/65
 D401,004 S * 11/1998 Eusterbrock D26/107
 D405,904 S * 2/1999 Huang D26/65
 6,416,207 B1 * 7/2002 Chang F21V 21/26
 362/418
 D474,557 S * 5/2003 Eusterbrock D26/61
 D532,145 S * 11/2006 Goetz-Schaefer D26/106
 D645,197 S * 9/2011 Waldmann D26/93
 D674,128 S * 1/2013 McCoy D26/93
 D737,496 S * 8/2015 Swanson D26/65
 D764,089 S * 8/2016 Gelman D26/62

DESCRIPTION

FIG. 1 is a front perspective view of a wood floor lamp, showing my new design;
 FIG. 2 is a front view thereof;
 FIG. 3 is a rear view thereof;
 FIG. 4 is a left side view thereof;
 FIG. 5 is a right side view thereof;
 FIG. 6 is a top view thereof; and,
 FIG. 7 is a bottom view thereof.
 The broken lines in the drawings illustrate portions of the wood floor lamp which form no part of the claimed design.

1 Claim, 7 Drawing Sheets



(56)

References Cited

U.S. PATENT DOCUMENTS

D861,228 S * 9/2019 Grau D26/93
D944,442 S * 2/2022 Chen D26/93
D953,607 S * 5/2022 Chen D26/93
D957,036 S * 7/2022 Levy F21S 8/03
D26/93
D959,044 S * 7/2022 Gu D26/105

OTHER PUBLICATIONS

Modern Plug in Wood Cage Wall Lamp. Apr. 6, 2021. Site visited Sep. 28, 2022. [https://www.amazon.com/Modern-Plug-Cord-Industrial-Rustic/dp/B08VD9BZQP/ref=sr_1_14?keywords=wood%2Bblocks%2Bfloor%2Blamp%2Bhanging%2Bbulb%2Blight&qid=1664412737&sr=8-14&th=1] (Year: 2021).*

VONLUCE 3 Lights Industrial Floor Lamp Black. Jun. 11, 2020. Site visited Sep. 28, 2022. [https://www.amazon.com/CO-Z-Industrial-Vintage-Standing-Farmhouse/dp/B08B153ZWW/ref=sxin_14_pasp_search_thematic_sspa?content-id=amzn1.sym.6b029eb3-7d41-4744-b45d-69fe835e098d%3Aamzn1.sym.6b029eb3-7d41-4744-b45d-69fe835e098d&cv_ct_cx=Jeff+72%22+Tree+Floor+Lamp&keywords=Jeff+72%22+Tree+Floor+Lamp&pd_rd_i=B08B153ZWW&pd_rd_r=29ca199b-f864-422c-beb8-f49425fb1657&pd_rd_w=xuwEH&pd_rd_wg=27k3P&pf_rd_p=6b029eb3-7d41-4744-b45d-69fe835e098d&pf_rd_r=YMR5TDVP27KPCAEE7G27&qid=1664412947&sr=1-2-a73d1c8c-2fd2-4f19-aa41-2df022bcb241-spons&pvc=1&smid=A32FL4O5Z8G8DU&spLa=ZW5jcnlwdGVkUXVhbGlmaWVyPUEzUks1T1RIMUJNVERHJmVuY3J5cHRIZEIkPUEwMTQ2Mz4M1JVSThRT1A0U0xCVSZlbnNyeXB0ZW RBZEIkPUEwNzU4NDI3MVMzSE5KNFI0OUhTRyZ3aWRnZX ROYW1IPXNwX3NIYXJjaF90aGVtYXRpYyZhY3Rpb249Y2xp Y2tSZWRpcmVjdCZkb05vdExvZ0NsaWNRPXRydWU=] (Year: 2020).*

* cited by examiner

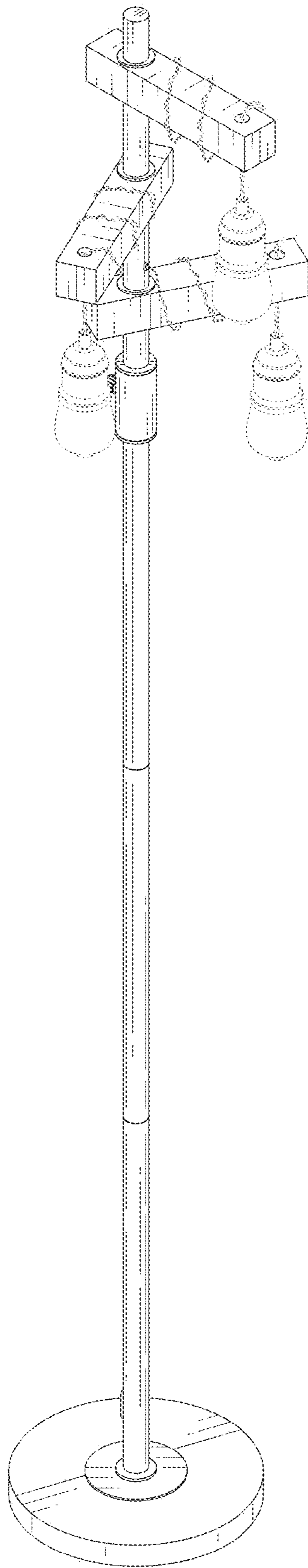


FIG. 1

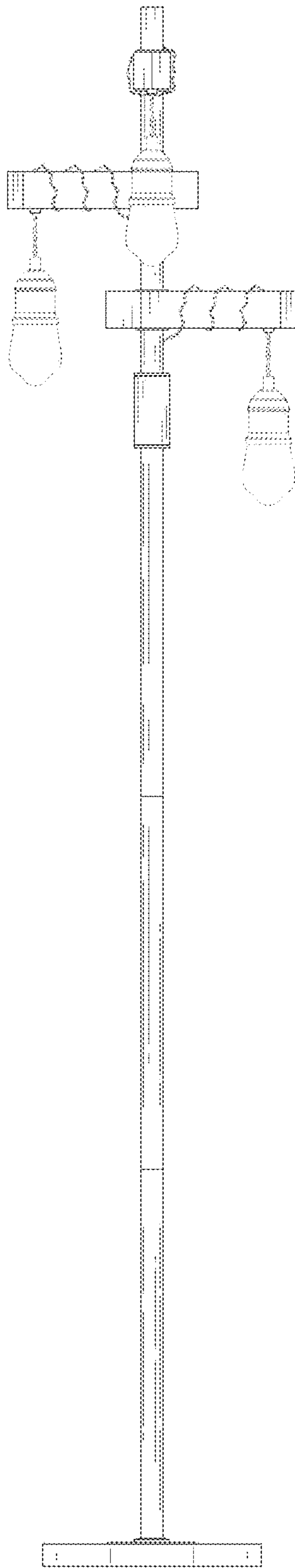


FIG. 2

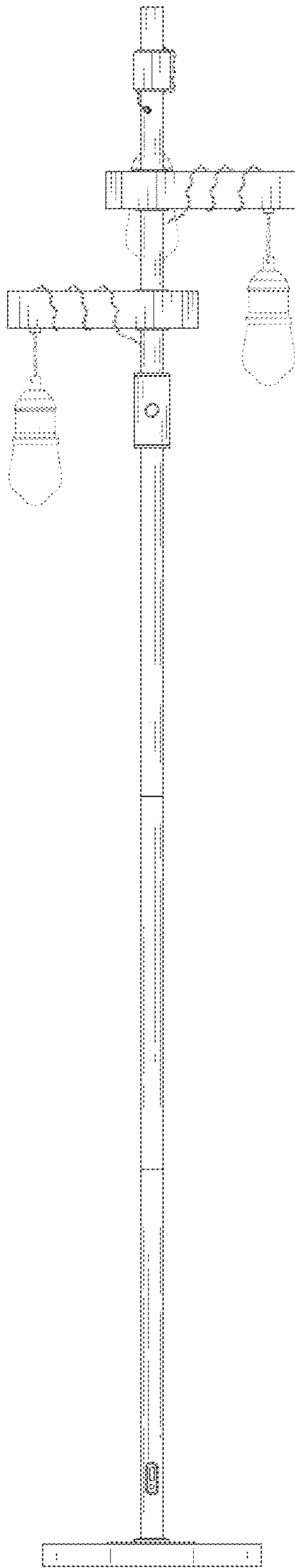


FIG. 3

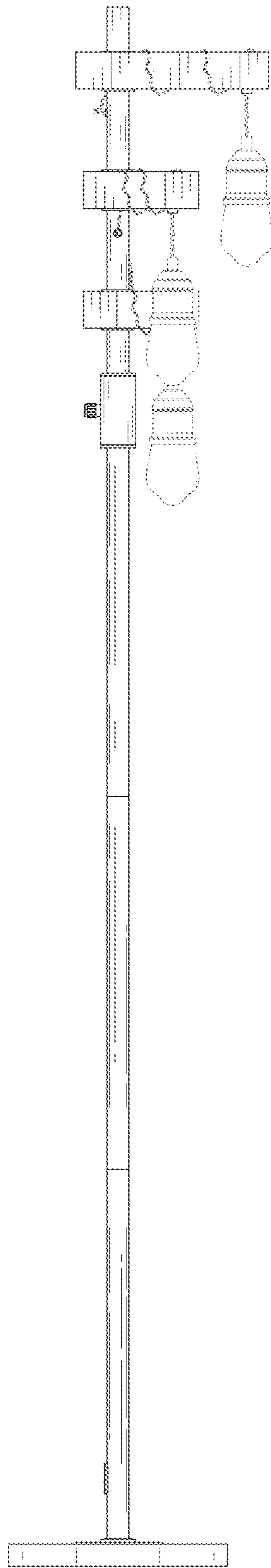


FIG. 4

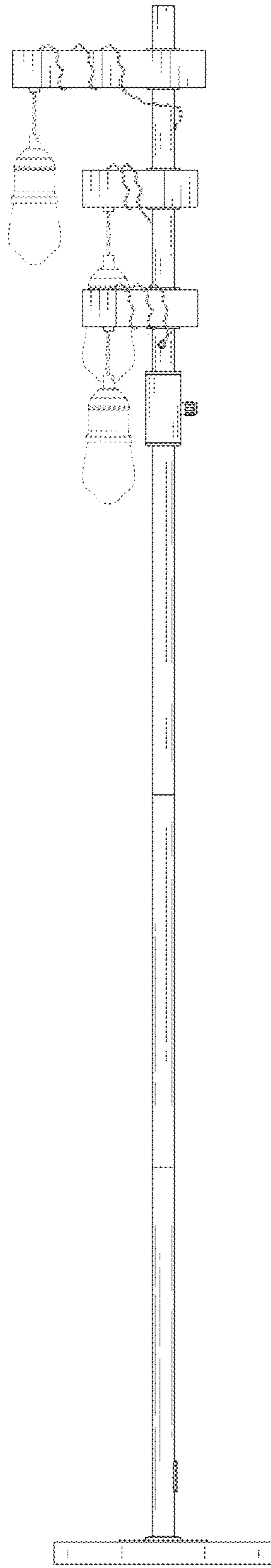


FIG. 5

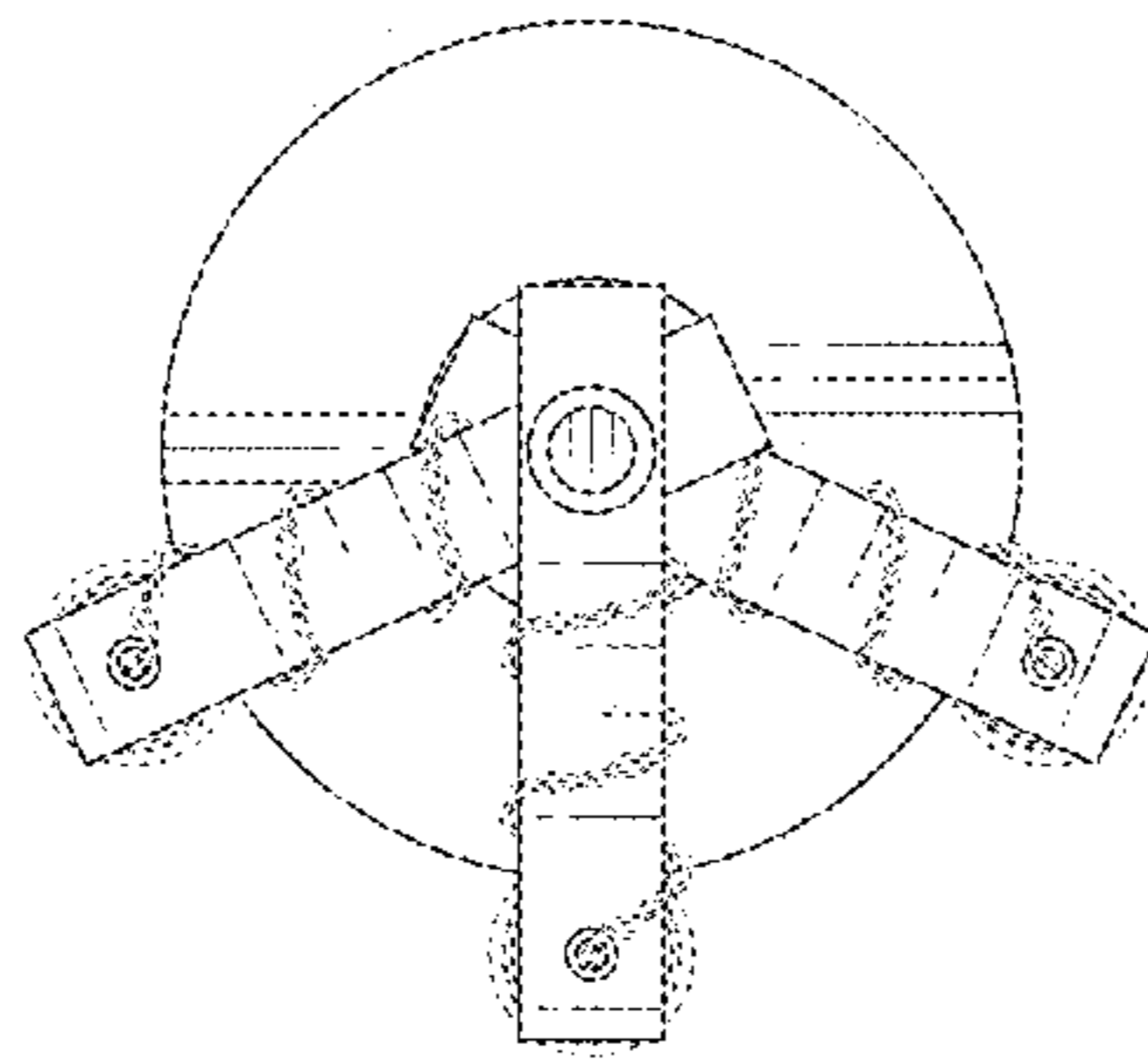


FIG. 6

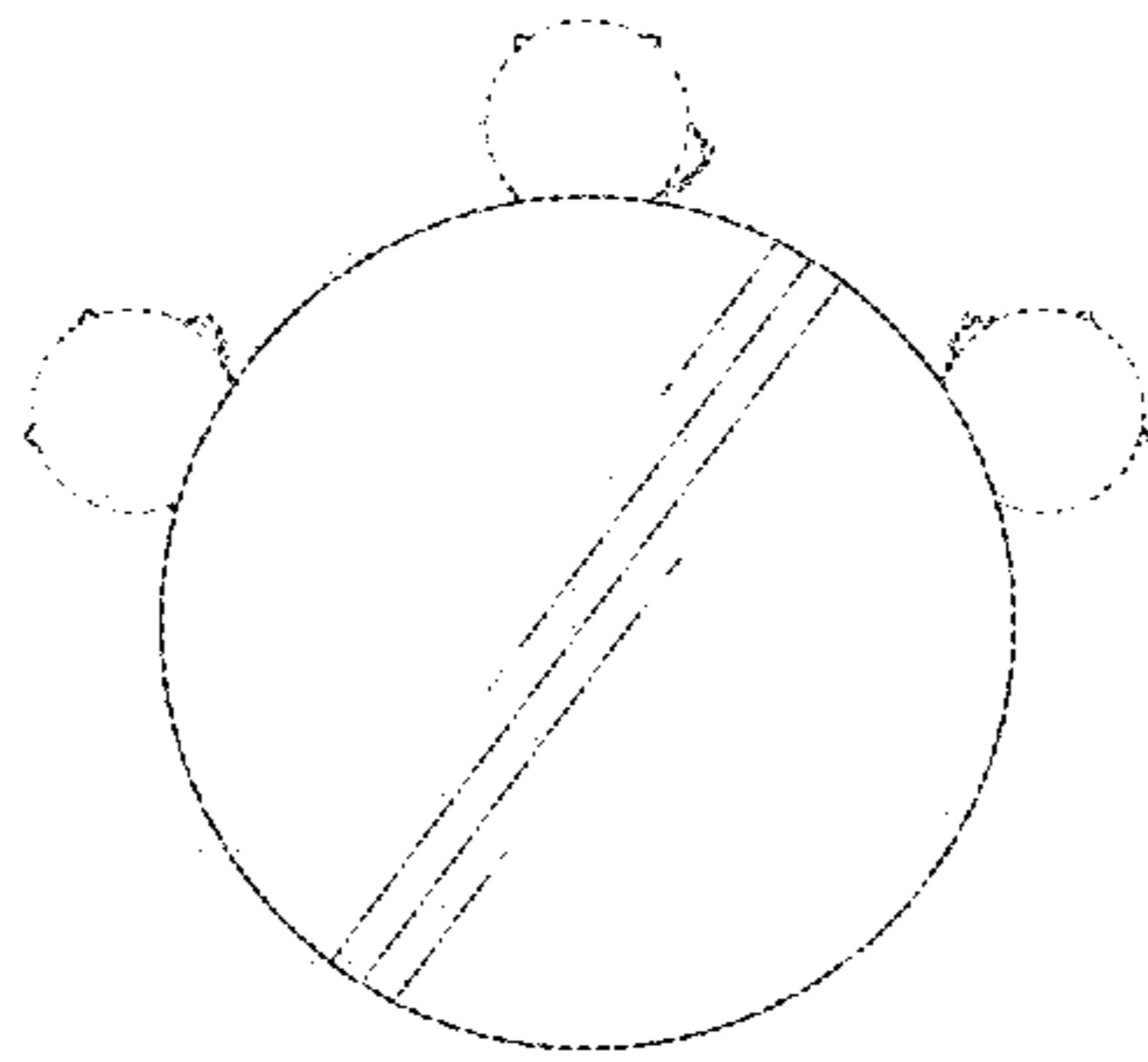


FIG. 7