

US00D977175S

(12) **United States Design Patent**  
**Li**

(10) **Patent No.:** **US D977,175 S**

(45) **Date of Patent:** **\*\* Jan. 31, 2023**

(54) **FARMHOUSE VANITY LIGHT**

(71) Applicant: **SHENZHEN TIANSHUO SUPPLY CHAIN CO., LTD.**, Shenzhen (CN)

(72) Inventor: **Yiya Li**, Hengyang (CN)

(73) Assignee: **SHENZHEN TIANSHUO SUPPLY CHAIN CO., LTD.**, Shenzhen (CN)

(\*\*) Term: **15 Years**

(21) Appl. No.: **29/853,030**

(22) Filed: **Sep. 12, 2022**

(51) **LOC (14) Cl.** ..... **26-03**

(52) **U.S. Cl.**  
USPC ..... **D26/87; D26/80**

(58) **Field of Classification Search**  
USPC ..... D26/72, 80, 85, 86, 87, 92  
CPC .. F21S 8/033; F21S 8/035; F21S 8/036; F21S 8/046

See application file for complete search history.

(56) **References Cited**

**U.S. PATENT DOCUMENTS**

D469,561 S	1/2003	Thompson	
D754,906 S *	4/2016	Smith	D26/80
D882,149 S *	4/2020	Lin	D26/86
D906,577 S *	12/2020	Gardner	D26/80
D913,565 S *	3/2021	Yu	D26/87
D916,352 S *	4/2021	Zeng	D26/86
D921,274 S *	6/2021	Jiang	D26/86
D923,235 S *	6/2021	Hu	D26/86
D924,461 S	7/2021	Hu	
D944,441 S *	2/2022	Ou	D26/87
D958,438 S *	7/2022	Shen	D26/86
D963,914 S *	9/2022	Shen	D26/86
D968,009 S *	10/2022	Luo	D26/80
2017/0299155 A1 *	10/2017	Bibi	F21V 1/20

**OTHER PUBLICATIONS**

Kichler Winslow Vanity Light, Model No. 45887BK. ASIN: B083ZG23RT. Available from amazon.com Jan. 16, 2020. (Year: 2020).\*

Tengxin 4-Light Bath Vanity Light Fixture, ASIN: B08T5QRC1H. Available from amazon.com Jan. 15, 2021. (Year: 2021).\*

Kichler Crosby 23" 3 Light Vanity Light, ASIN: B01MS3HTV5. Available from amazon.com Jan. 2, 2017. (Year: 2017).\*

Generation Lighting Zire 3 Light 24" Wide Bathroom Vanity Light Model: 4490303-778 from the Sea Gull Collection. Available from lightingshowplace.com, as early as Nov. 30, 2021. (Year: 2021).\*

(Continued)

*Primary Examiner* — Clare E Heflin

(57) **CLAIM**

The ornamental design for a farmhouse vanity light, as shown and described.

**DESCRIPTION**

FIG. 1 is a perspective view of a first embodiment of a farmhouse vanity light showing my new design;

FIG. 2 is another perspective view thereof;

FIG. 3 is a front elevational view thereof;

FIG. 4 is a rear elevational view thereof;

FIG. 5 is a left side elevational view thereof;

FIG. 6 is a right side elevational view thereof;

FIG. 7 is a top plan view thereof;

FIG. 8 is a bottom plan view thereof;

FIG. 9 is a perspective view of a second embodiment of the farmhouse vanity light;

FIG. 10 is another perspective view thereof;

FIG. 11 is a front elevational view thereof;

FIG. 12 is a rear elevational view thereof;

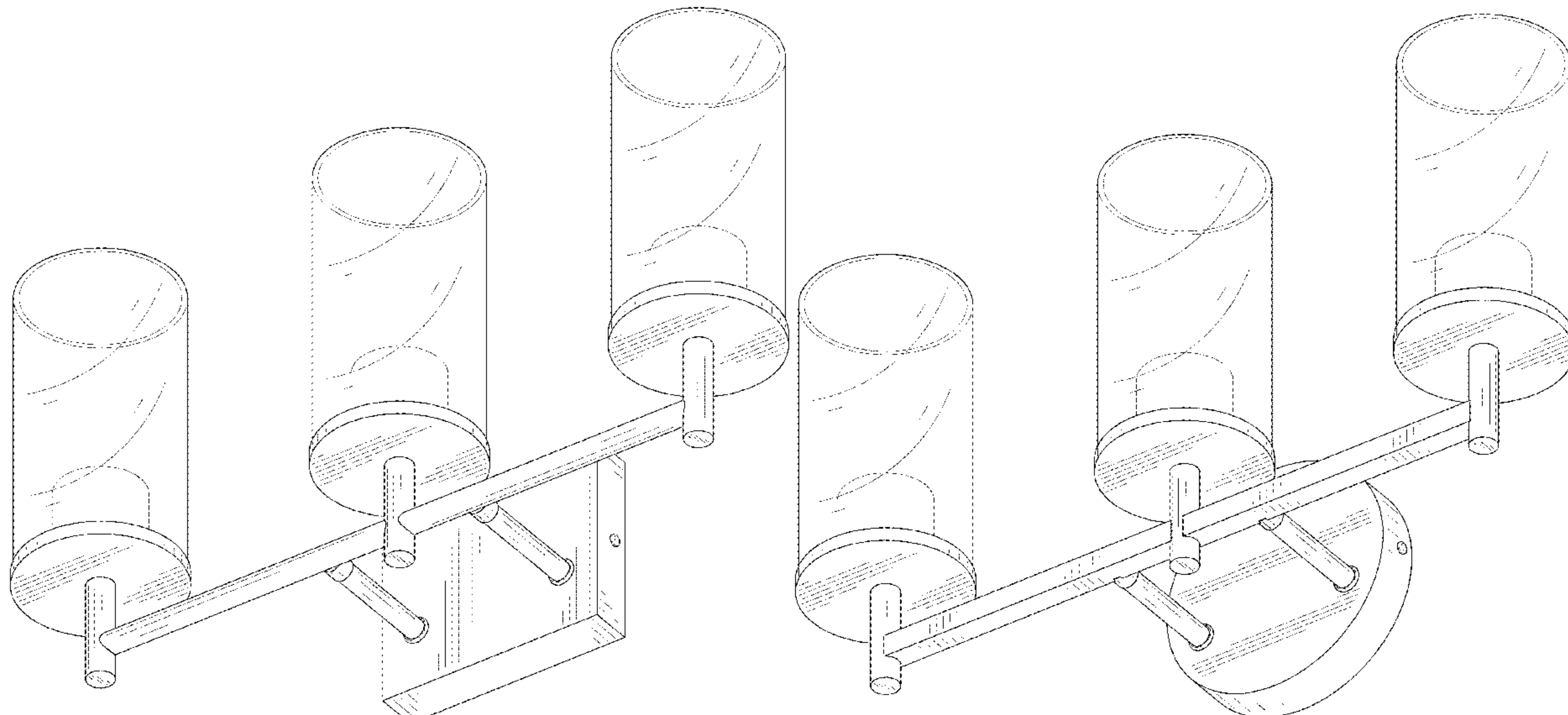
FIG. 13 is a right side elevational view thereof;

FIG. 14 is a left side elevational view thereof;

FIG. 15 is a top plan view thereof; and,

FIG. 16 is a bottom plan view thereof.

**1 Claim, 16 Drawing Sheets**



(56)

**References Cited**

OTHER PUBLICATIONS

Puming 1 Light Rustic Wall Sconce, ASIN: B0B1Q4TRCV. Available from amazon.com May 19, 2022. (Year: 2022).\*

Progress Lighting Alexa Bath & Vanity Light, Model No. P2978-09. ASIN: B004K5BFOG. Available from amazon.com Oct. 7, 2010. (Year: 2010).\*

Gatco 1705MX Modern Farmhouse Triple Sconce, ASIN: B079JJ4W53. Available from amazon.com Feb. 5, 2018. (Year: 2018).\*

\* cited by examiner

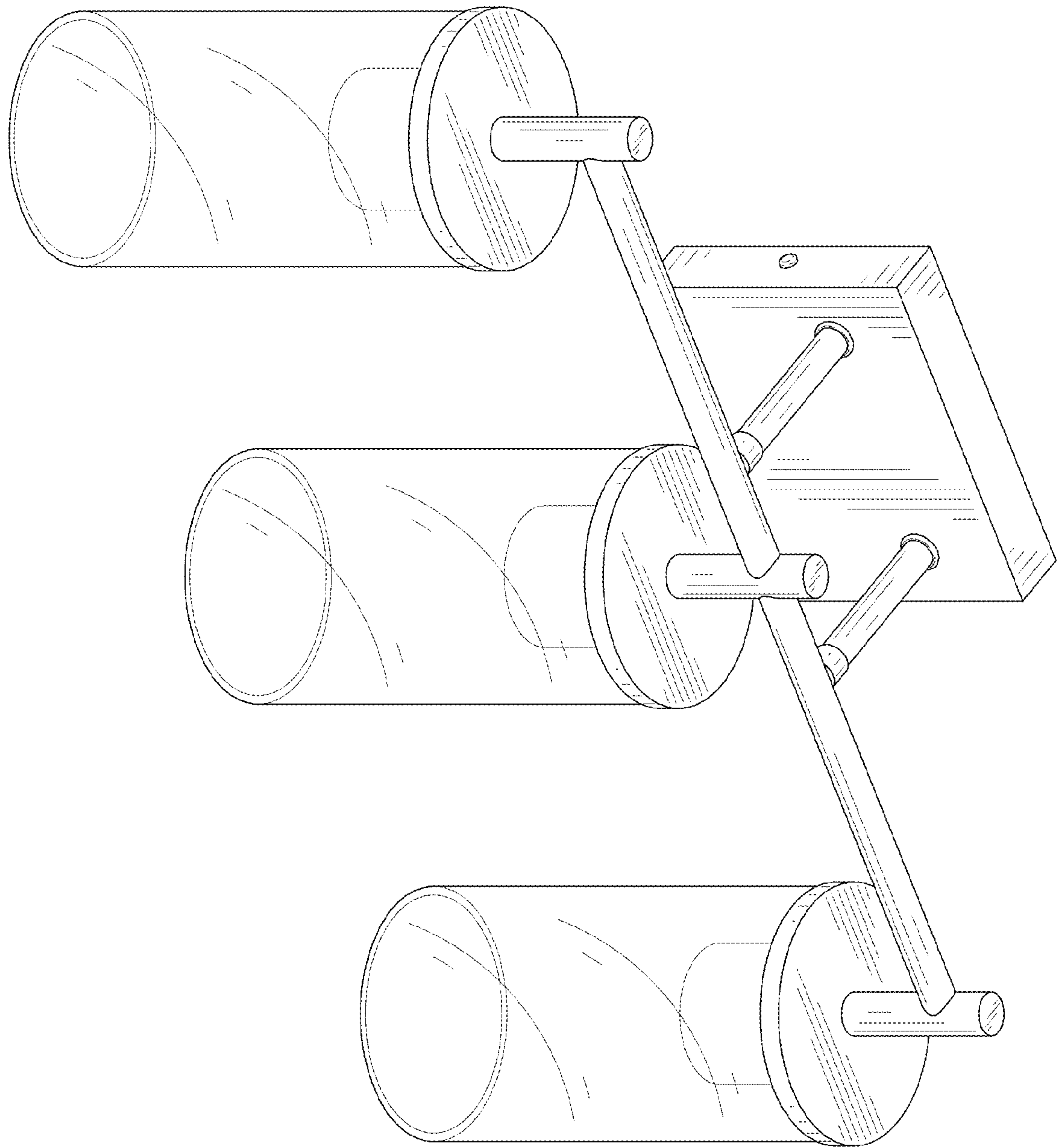


FIG. 1

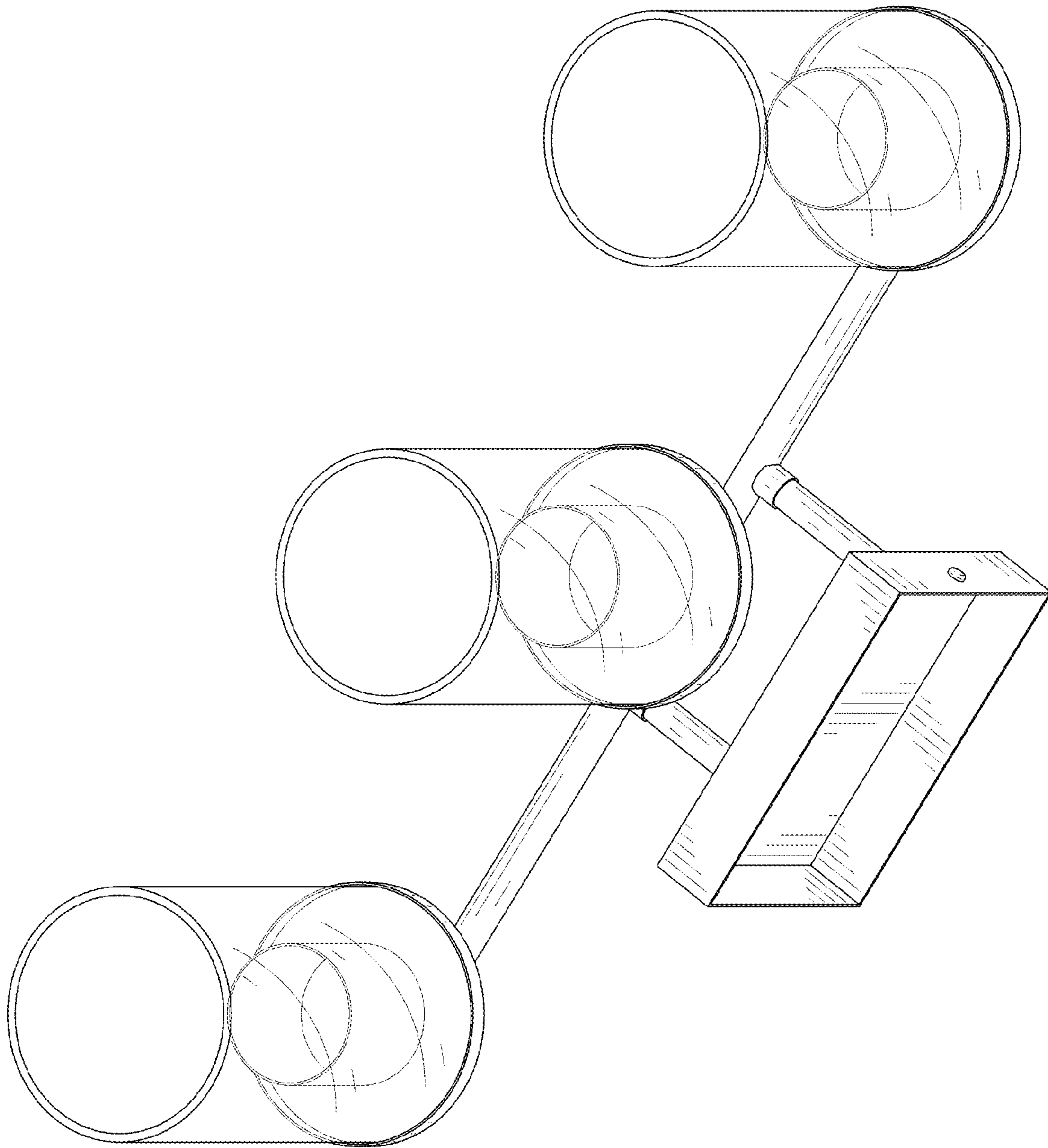


FIG. 2



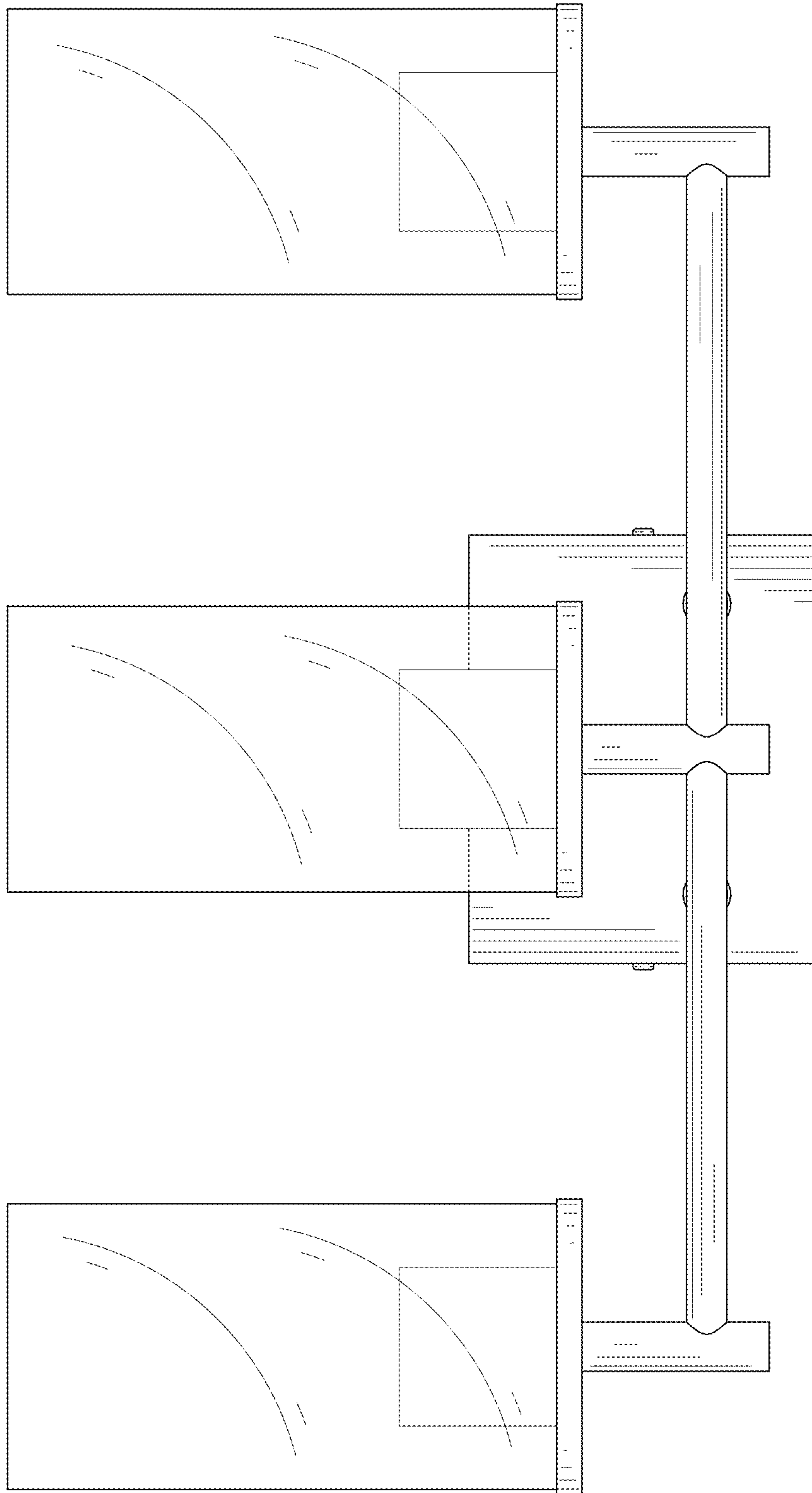


FIG. 3

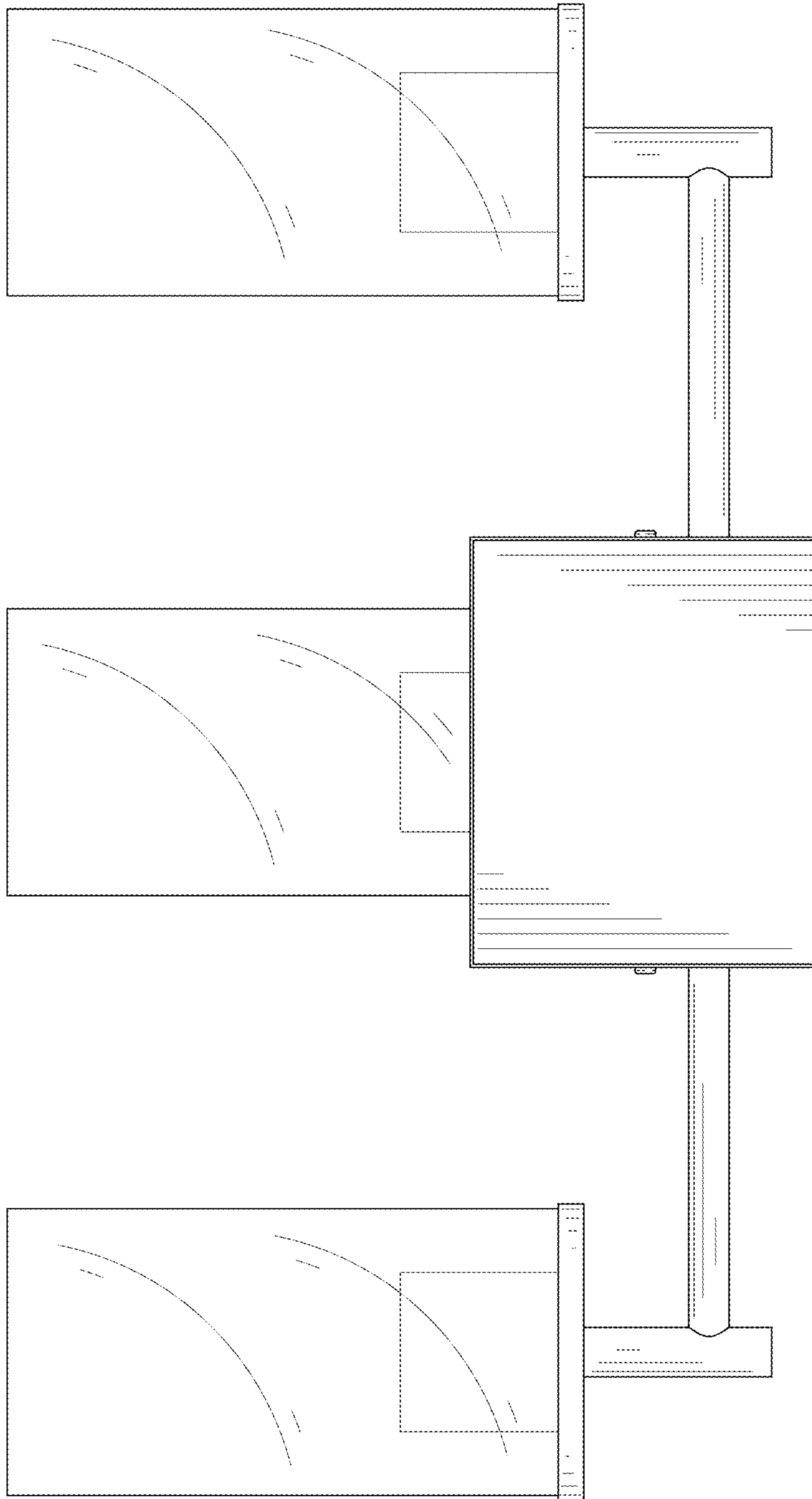


FIG. 4

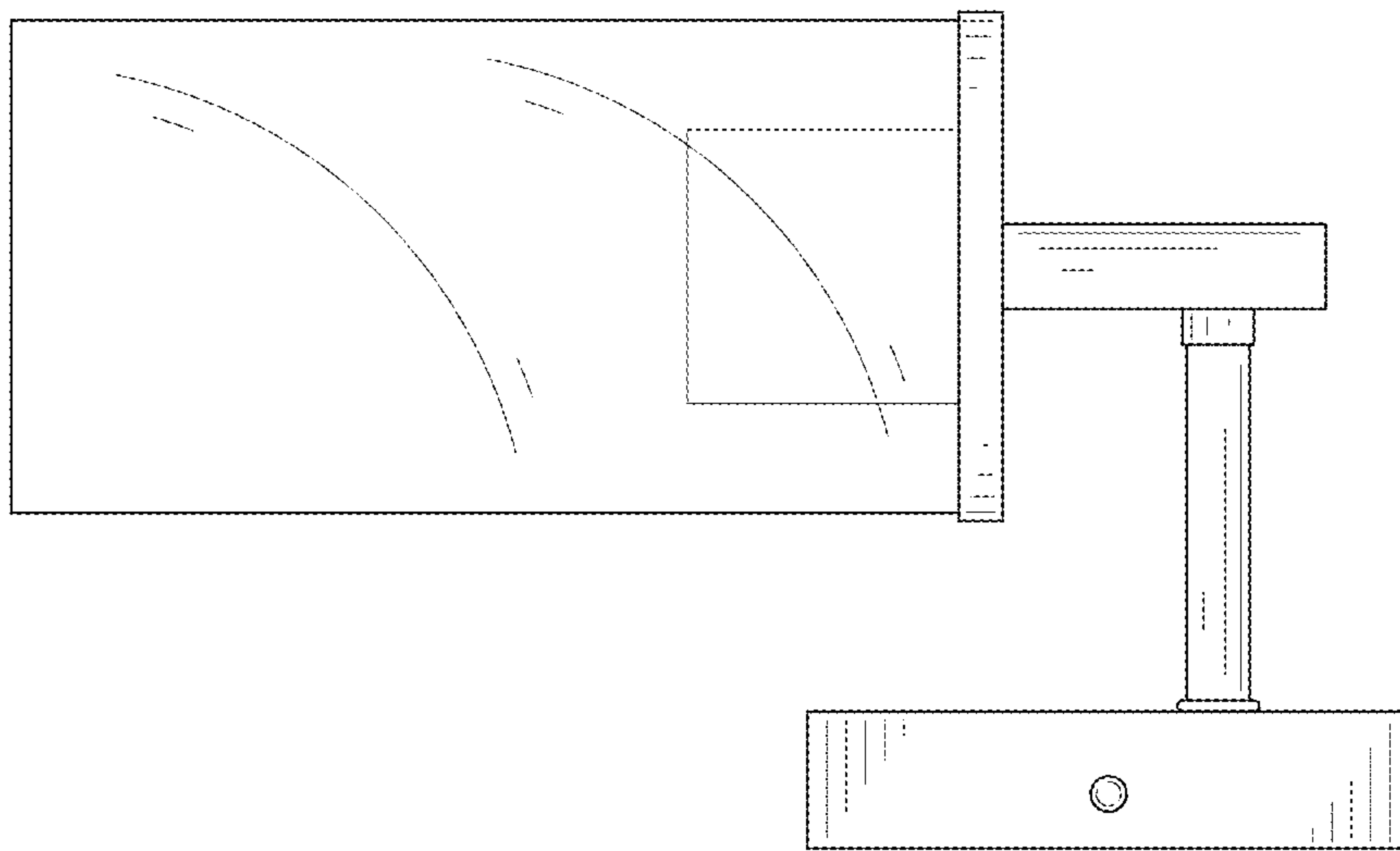


FIG. 5

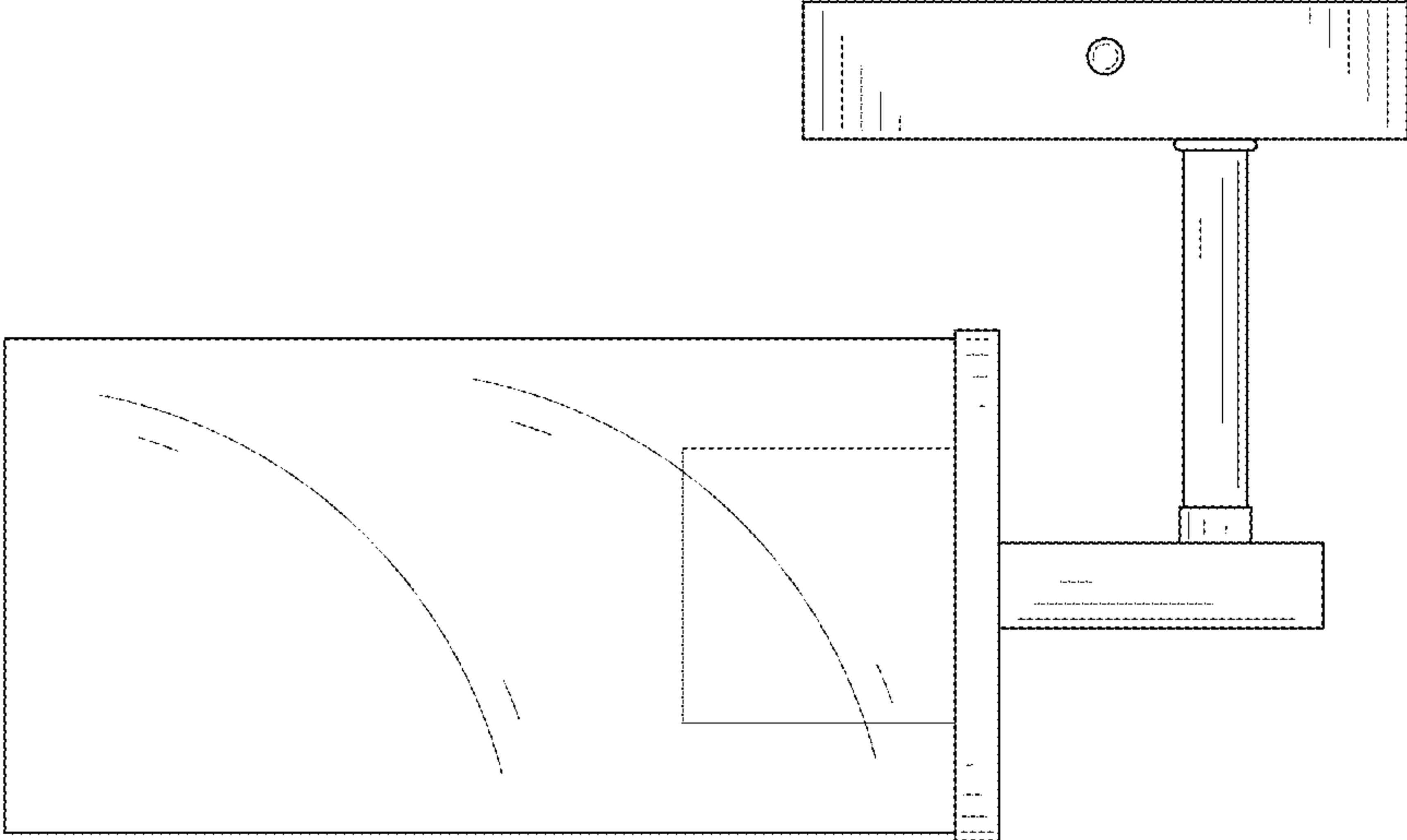


FIG. 6



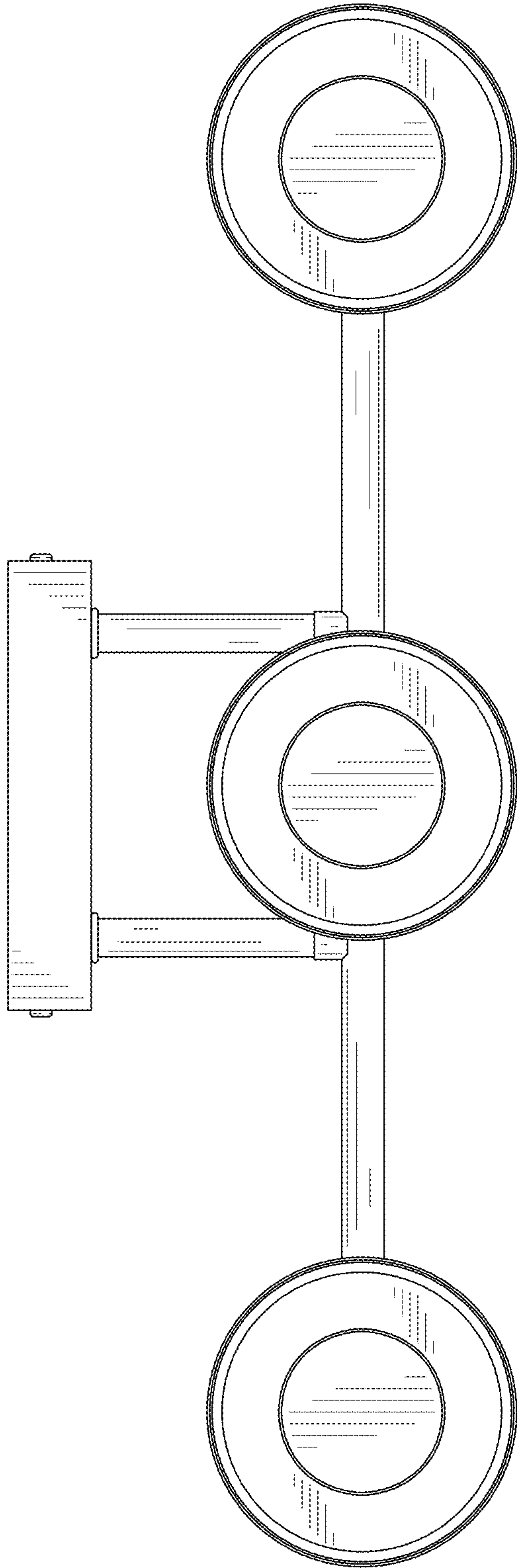


FIG. 7

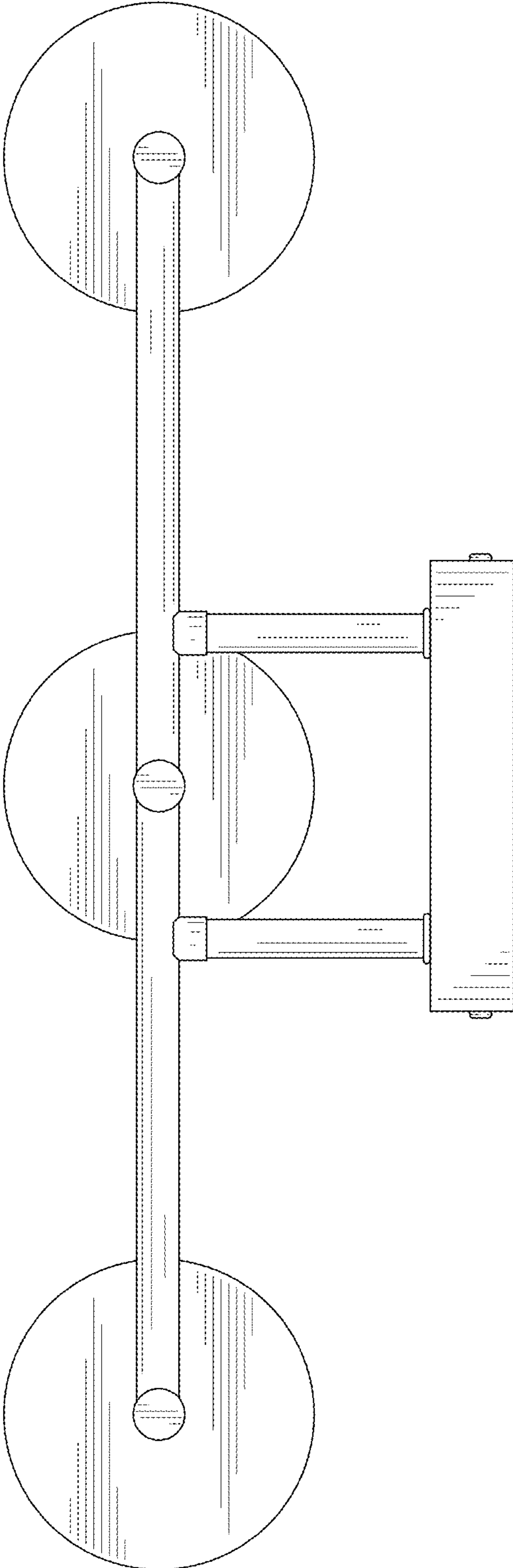


FIG. 8

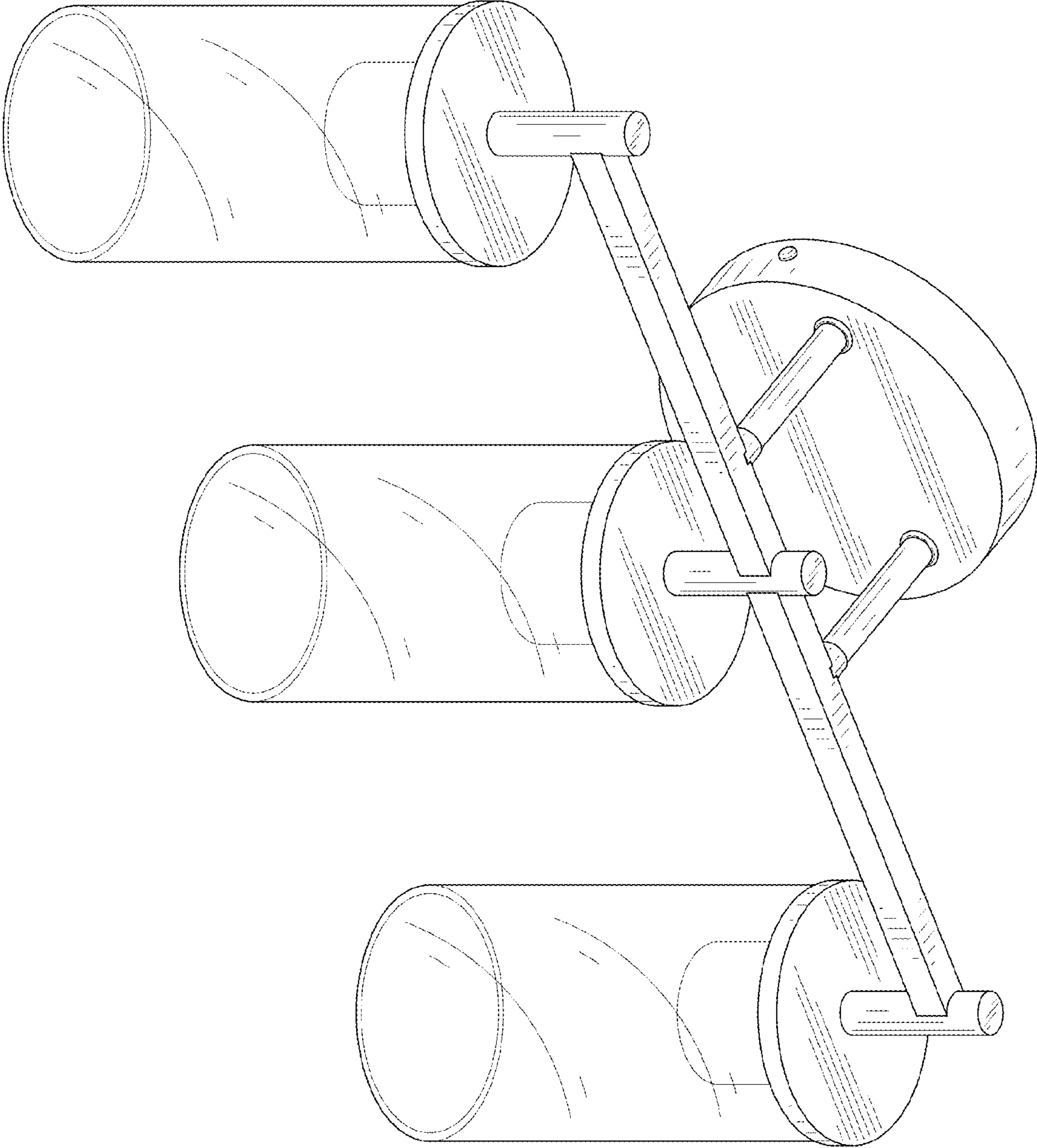


FIG. 9

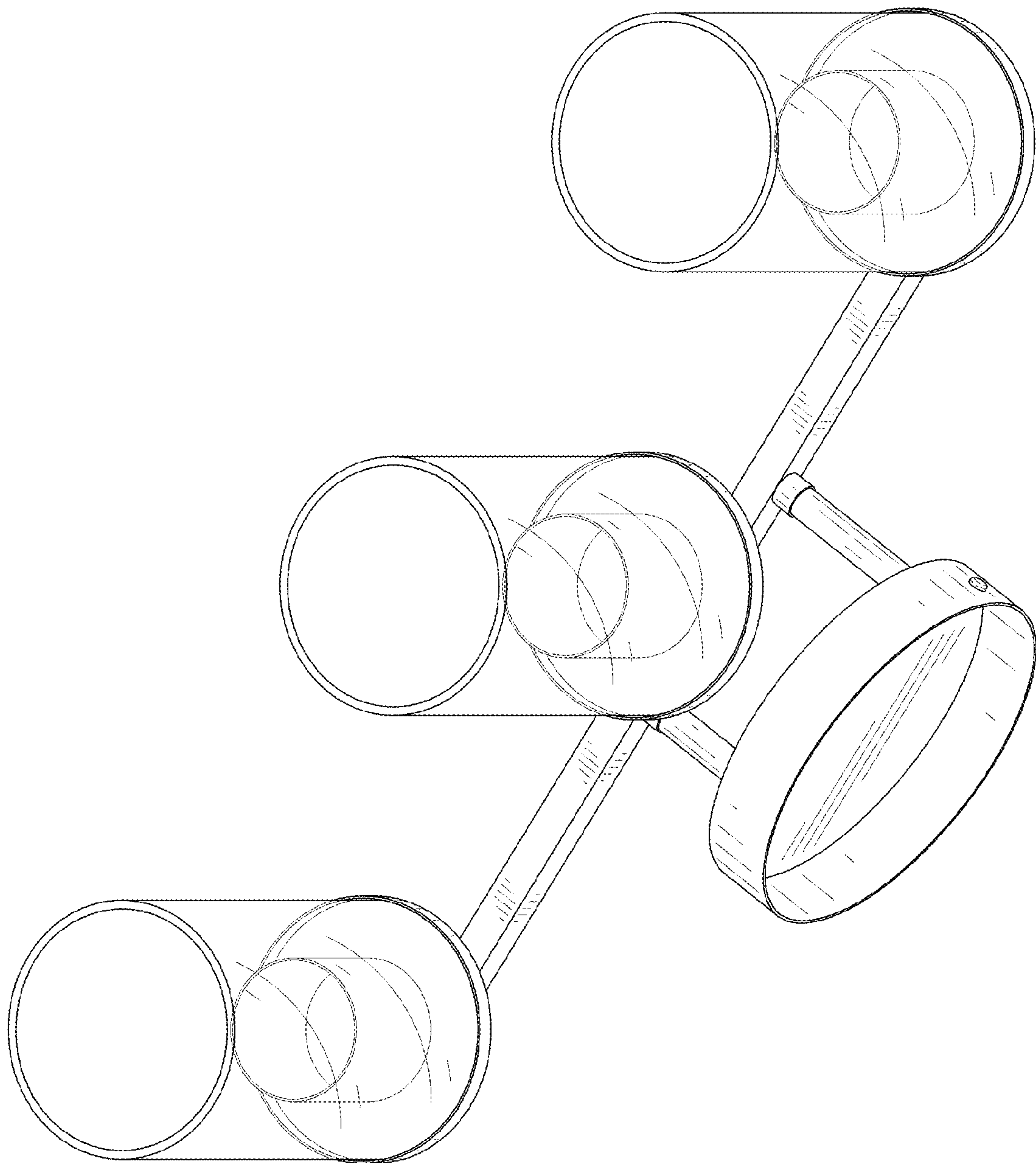


FIG. 10

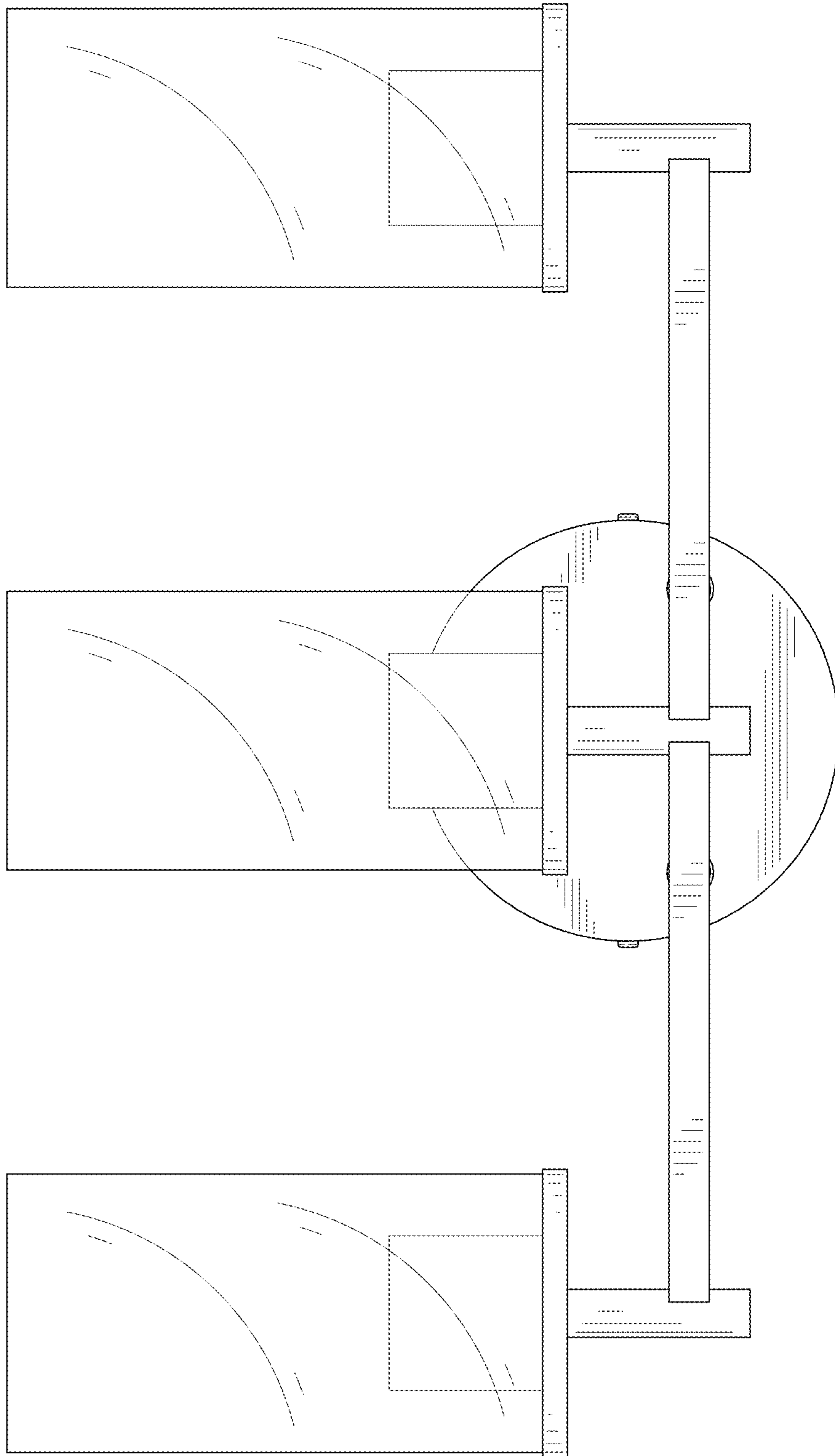


FIG. 11

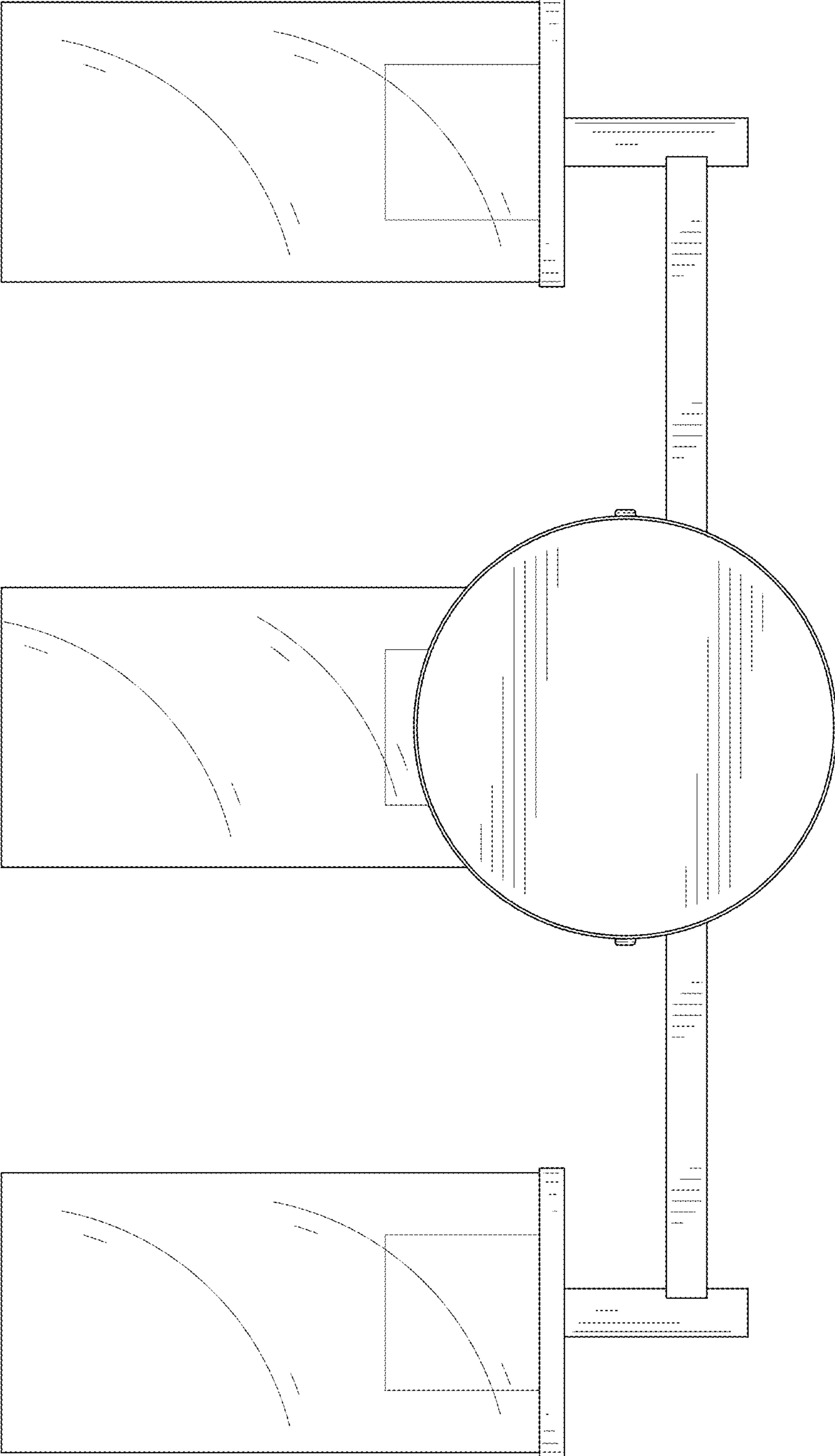


FIG. 12



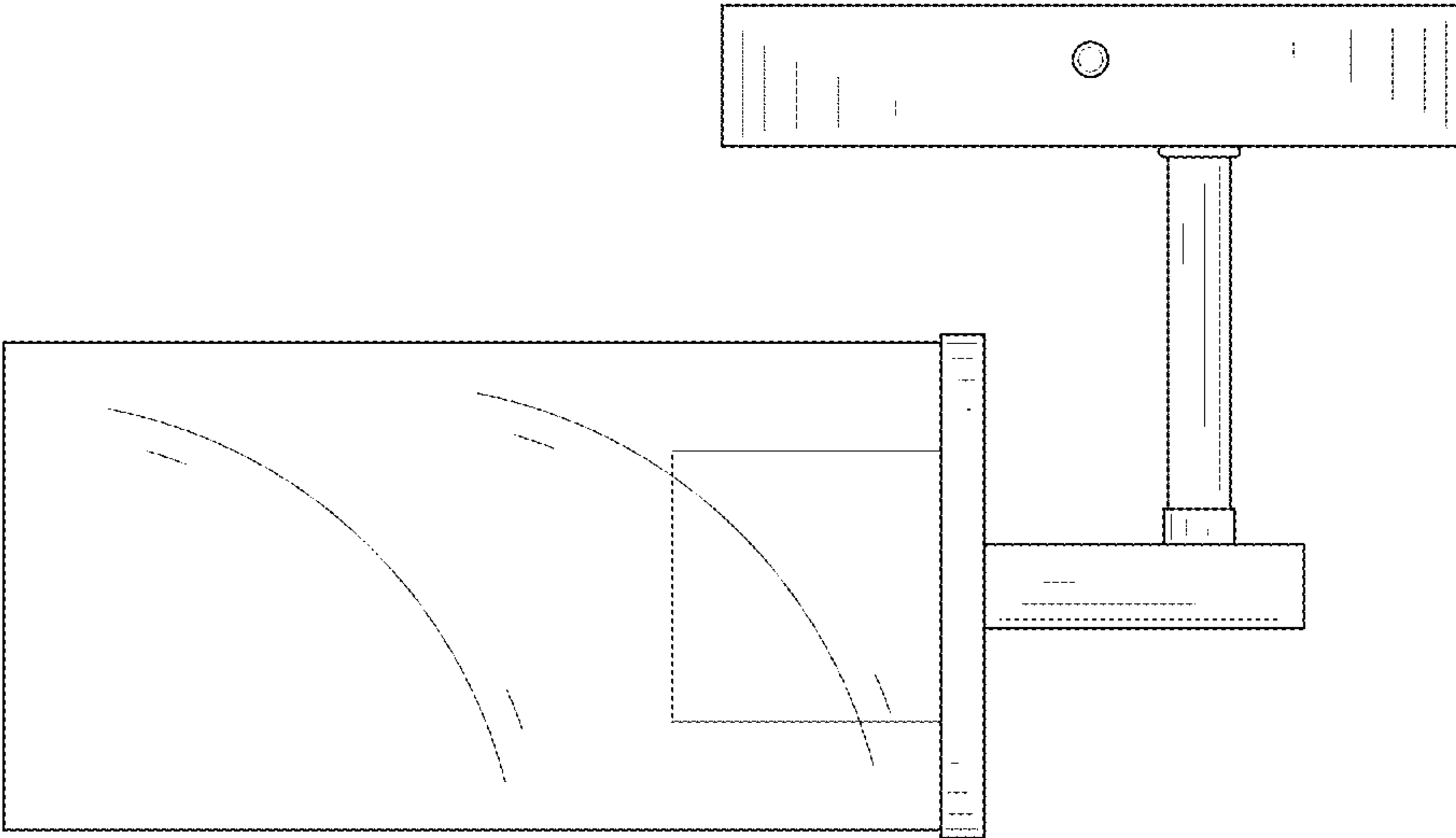


FIG. 13

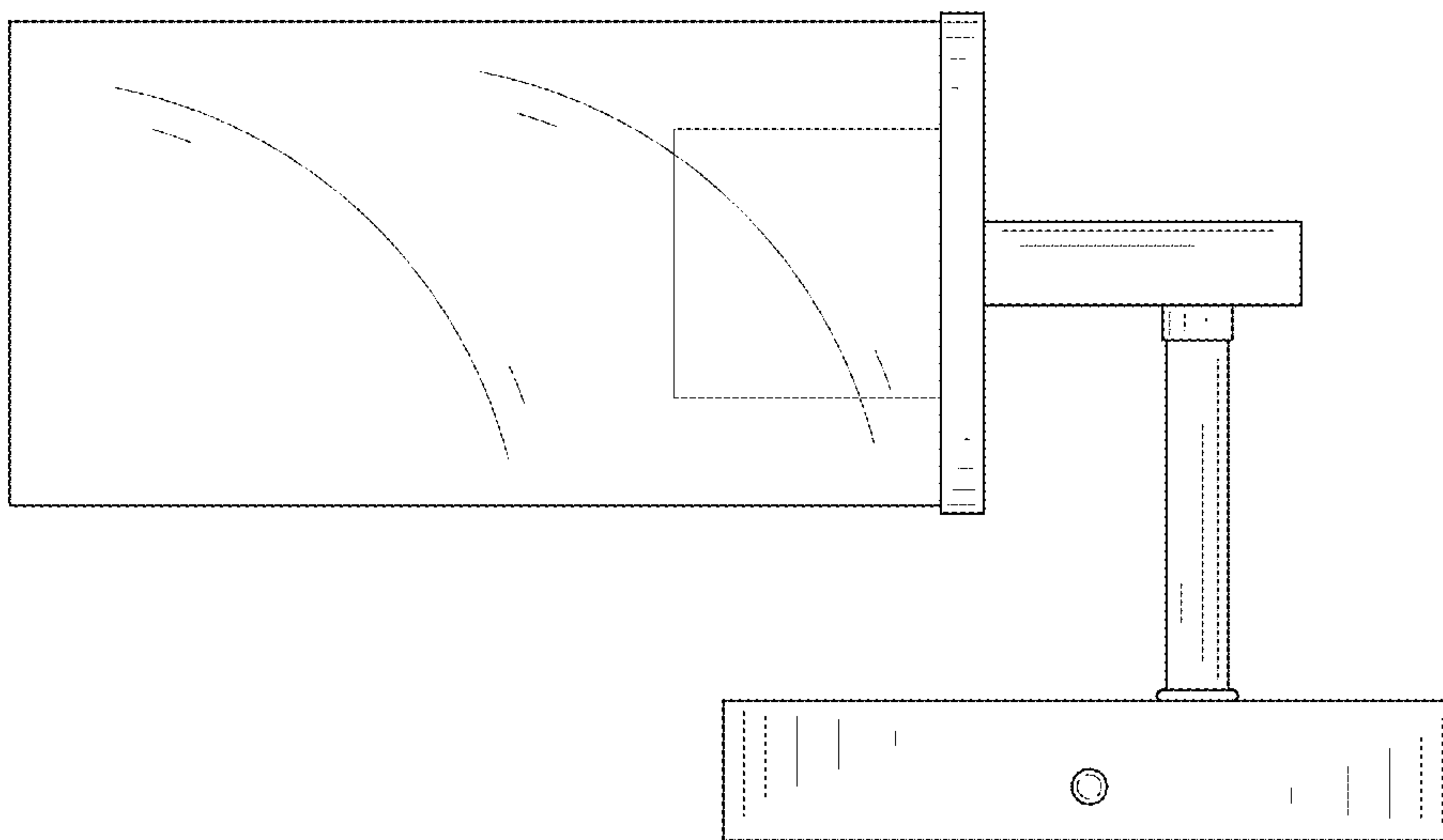


FIG. 14

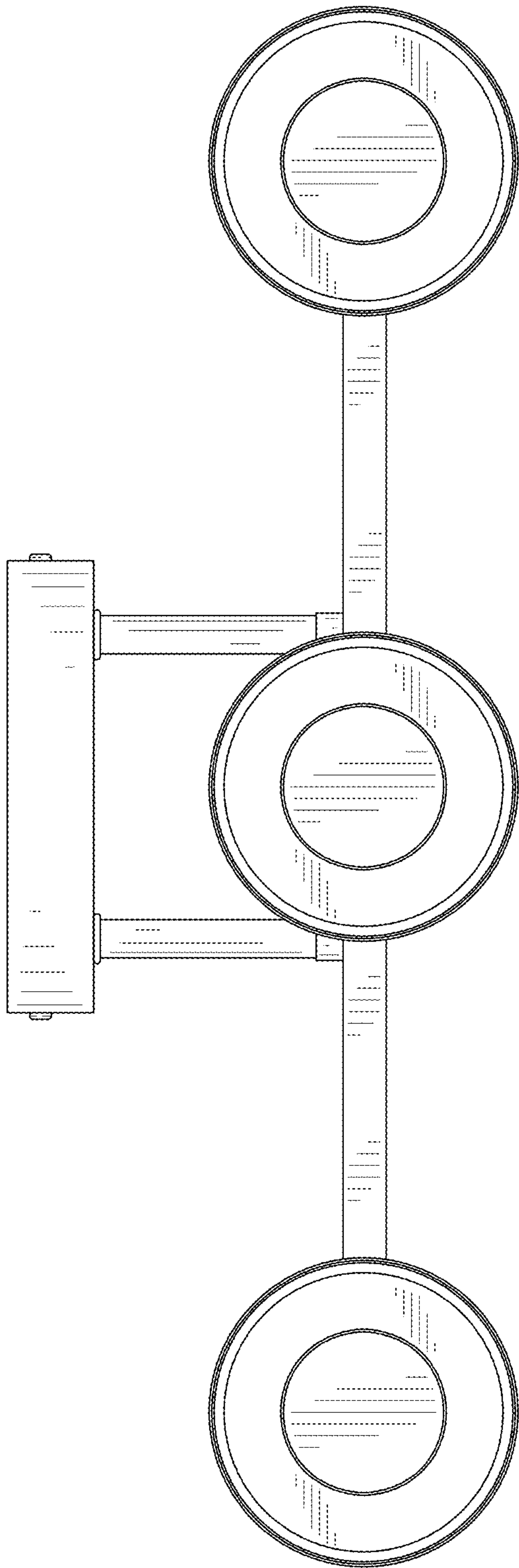


FIG. 15

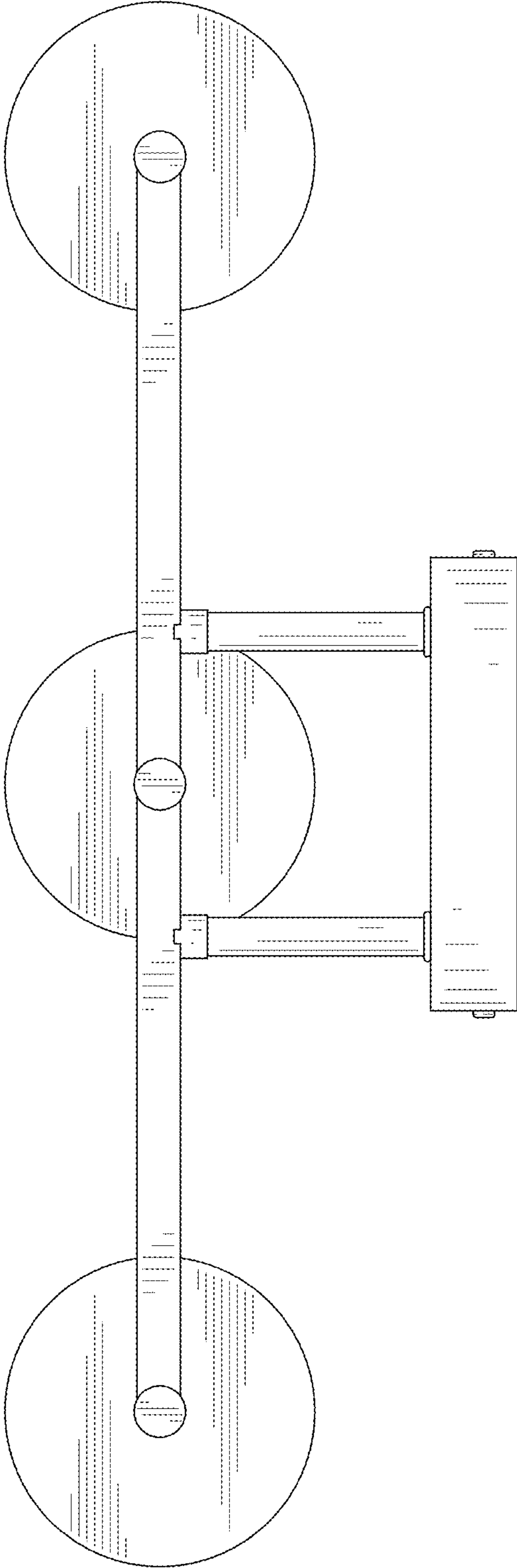


FIG. 16