



US00D977174S

(12) **United States Design Patent**  
**Li**

(10) **Patent No.:** **US D977,174 S**  
(45) **Date of Patent:** **\*\* Jan. 31, 2023**

- (54) **FARMHOUSE VANITY LIGHT**
  - (71) Applicant: **SHENZHEN TIANSHUO SUPPLY CHAIN CO., LTD.**, Shenzhen (CN)
  - (72) Inventor: **Yiya Li**, Hengyang (CN)
  - (73) Assignee: **SHENZHEN TIANSHUO SUPPLY CHAIN CO., LTD.**, Shenzhen (CN)
  - (\*\*) Term: **15 Years**
  - (21) Appl. No.: **29/853,028**
  - (22) Filed: **Sep. 12, 2022**
  - (51) **LOC (14) Cl.** ..... **26-03**
  - (52) **U.S. Cl.**  
USPC ..... **D26/87; D26/80**
  - (58) **Field of Classification Search**  
USPC ..... **D26/72, 80, 85, 86, 87, 92**  
CPC .. **F21S 8/033; F21S 8/035; F21S 8/036; F21S 8/046**
- See application file for complete search history.

(56) **References Cited**

**U.S. PATENT DOCUMENTS**

D564,696	S	*	3/2008	Hetfield	.....	D26/88
D575,437	S	*	8/2008	Bickler	.....	D26/86
D754,906	S	*	4/2016	Smith	.....	D26/80
D882,149	S	*	4/2020	Lin	.....	D26/86
D906,577	S	*	12/2020	Gardner	.....	D26/80
D913,565	S	*	3/2021	Yu	.....	D26/87
D916,352	S	*	4/2021	Zeng	.....	D26/86
D921,274	S	*	6/2021	Jiang	.....	D26/86
D923,235	S		6/2021	Hu		
D924,462	S		7/2021	Bai		
D958,438	S	*	7/2022	Shen	.....	D26/86
D963,914	S	*	9/2022	Shen	.....	D26/86
D968,009	S	*	10/2022	Luo	.....	D26/80
2017/0299155	A1	*	10/2017	Bibi	.....	F21V 1/20

**OTHER PUBLICATIONS**

Kira Home Inara 21.5" 3-Light Modern Bathroom/Vanity Light, ASIN: B0BBSHTJGR. Available from amazon.com Aug. 24, 2022. (Year: 2022).\*

Solfart Vintage Vanity Light, ASIN: B09JWM749S. Available from amazon.com Oct. 20, 2021. (Year: 2021).\*  
Hummingbird 3 Light Bathroom Vanity Light, ASIN: B09YLPRQLY. Available from amazon.com Apr. 22, 2022. (Year: 2022).\*  
Kyrid 3-Light Bathroom Vanity Light, ASIN: B09YVDCW2P. Available from amazon.com Apr. 26, 2022. (Year: 2022).\*

\* cited by examiner

*Primary Examiner* — Clare E Hefflin

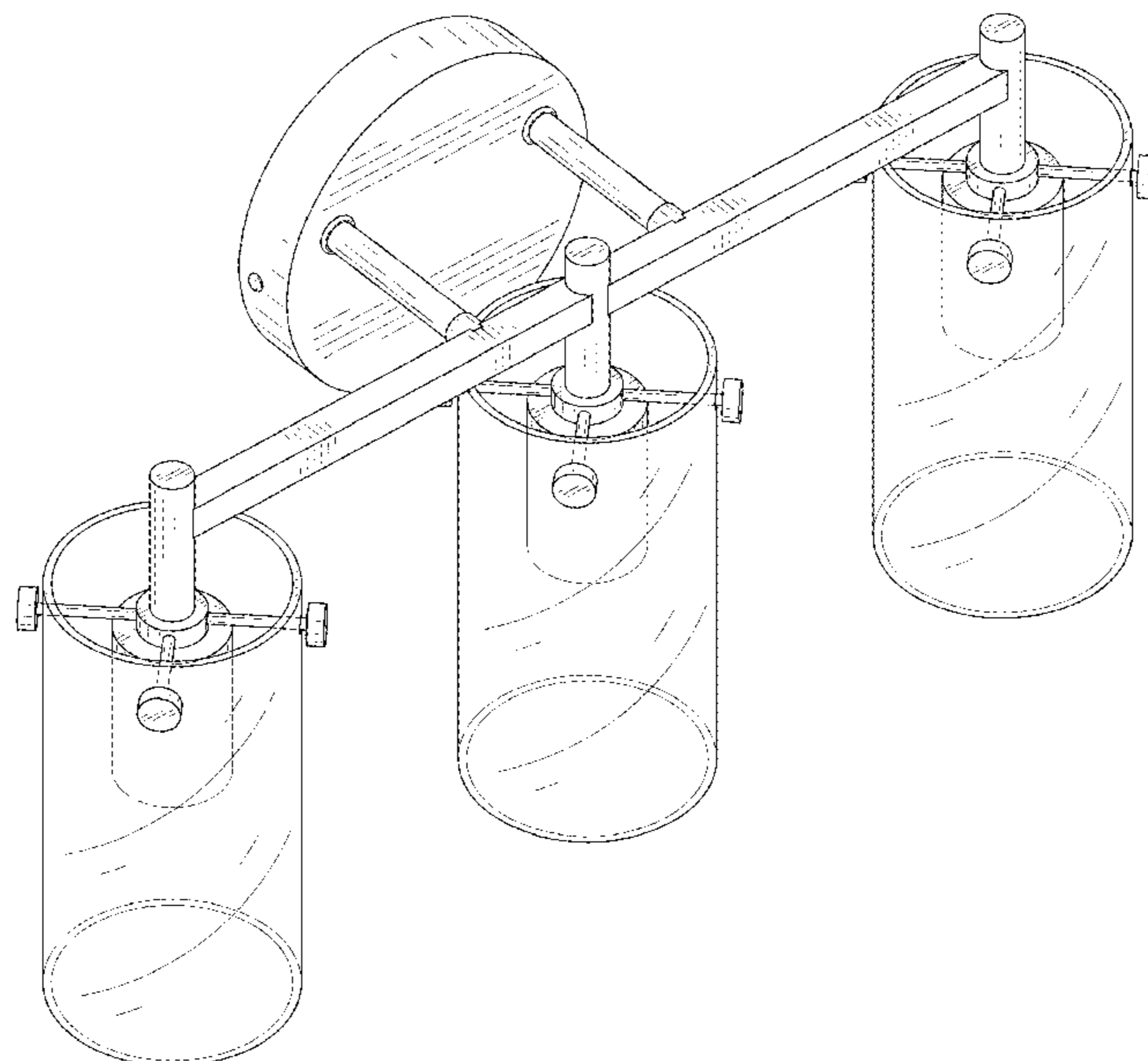
(57) **CLAIM**

The ornamental design for a farmhouse vanity light, as shown and described.

**DESCRIPTION**

FIG. 1 is a perspective view of a first embodiment of a farmhouse vanity light showing my new design; FIG. 2 is another perspective view thereof; FIG. 3 is a front elevational view thereof; FIG. 4 is a rear elevational view thereof; FIG. 5 is a left side elevational view thereof; FIG. 6 is a right side elevational view thereof; FIG. 7 is a top plan view thereof; FIG. 8 is a bottom plan view thereof; FIG. 9 is a perspective view of a second embodiment of the farmhouse vanity light; FIG. 10 is another perspective view thereof; FIG. 11 is a front elevational view thereof; FIG. 12 is a rear elevational view thereof; FIG. 13 is a left side elevational view thereof; FIG. 14 is a right side elevational view thereof; FIG. 15 is a top plan view thereof; and, FIG. 16 is a bottom plan view thereof.

**1 Claim, 16 Drawing Sheets**



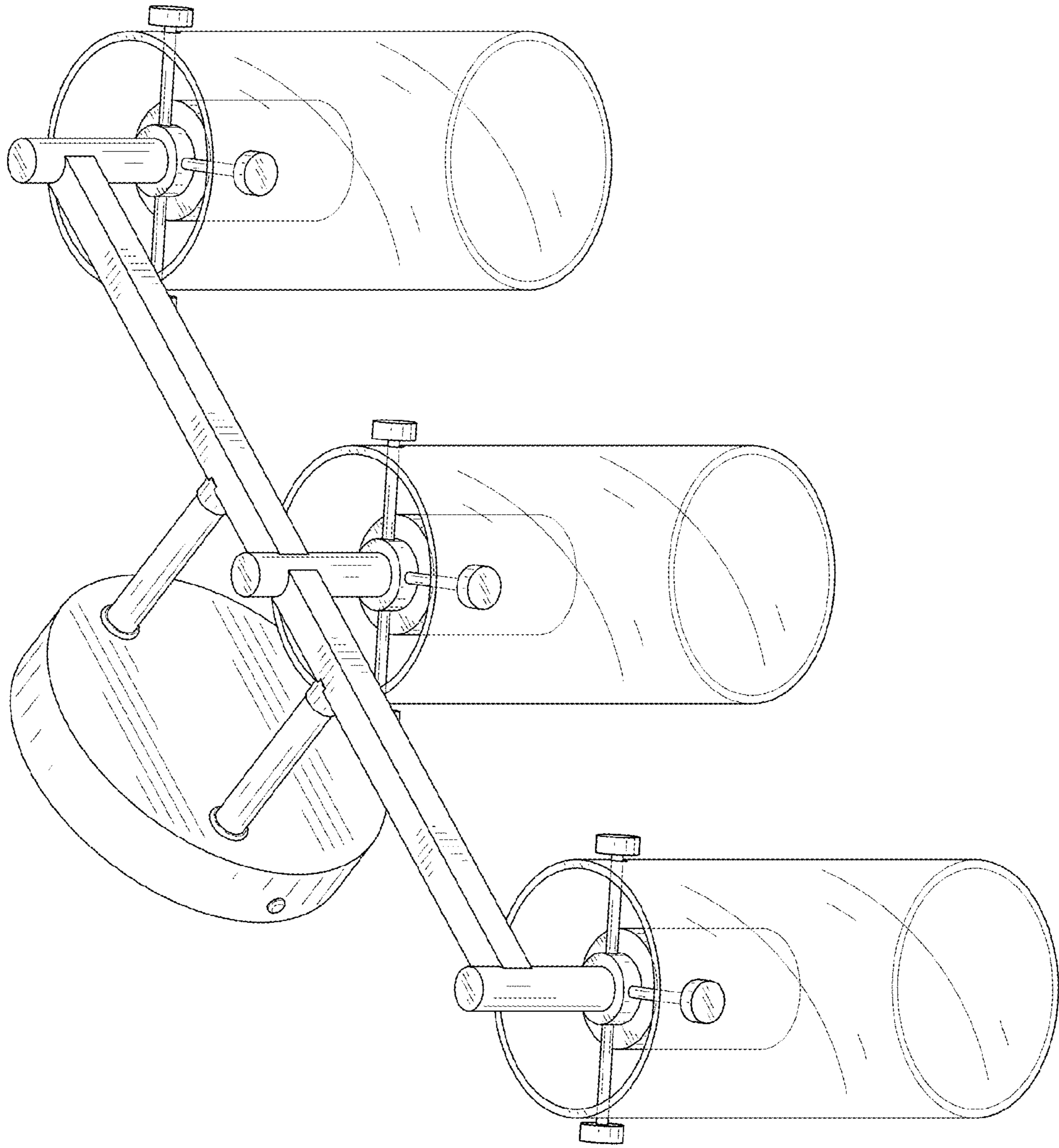


FIG. 1

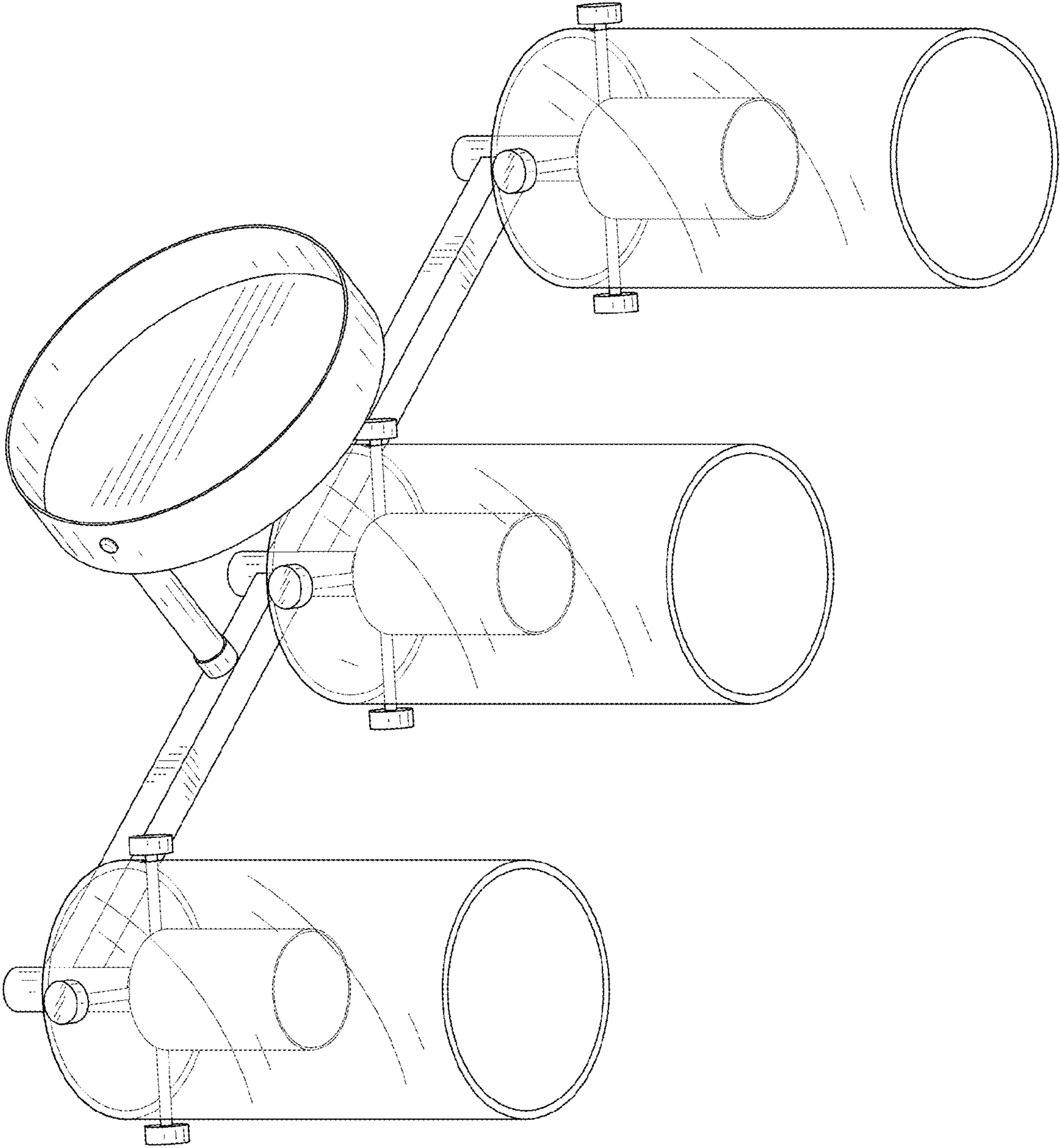


FIG. 2

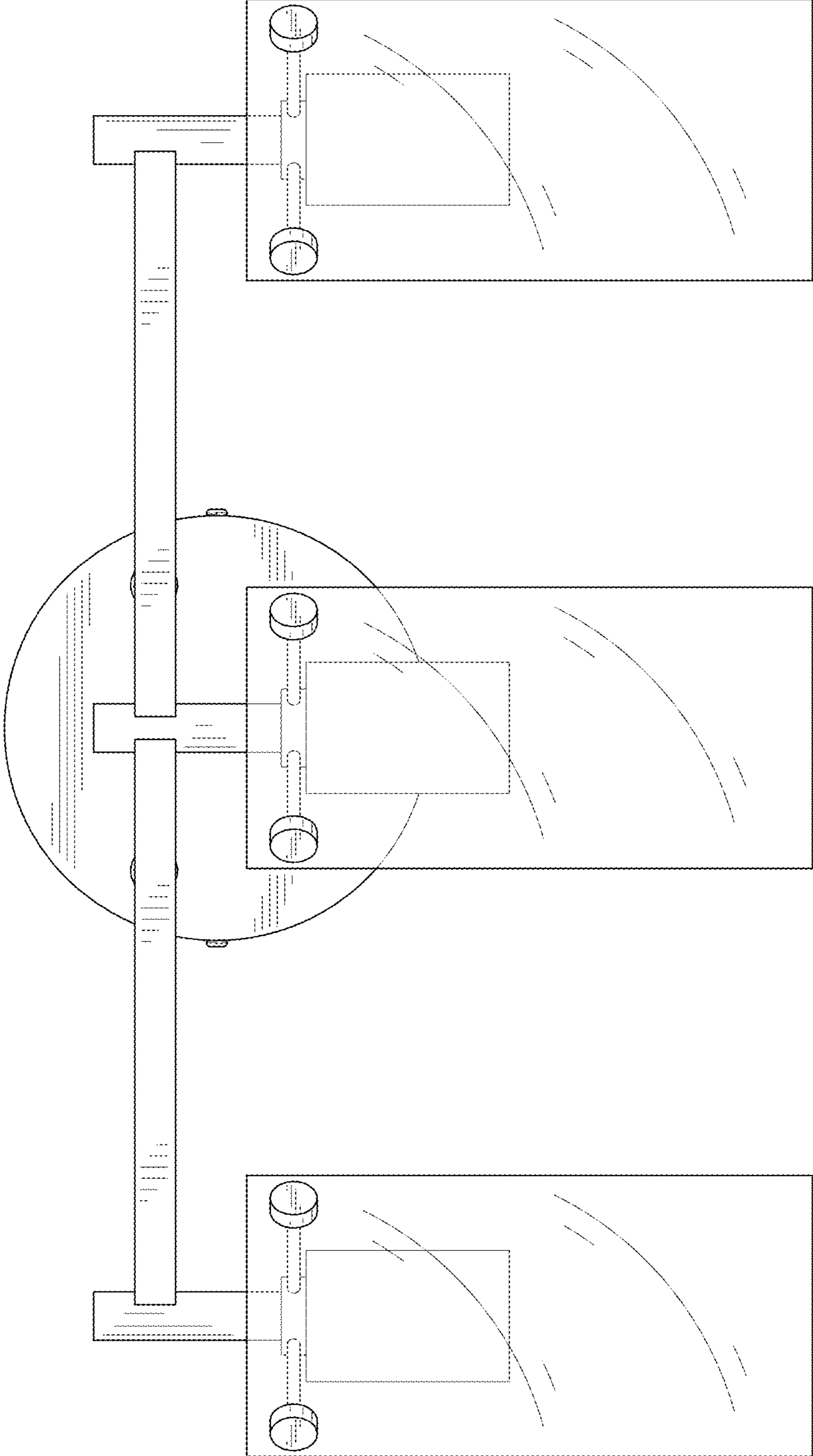


FIG. 3

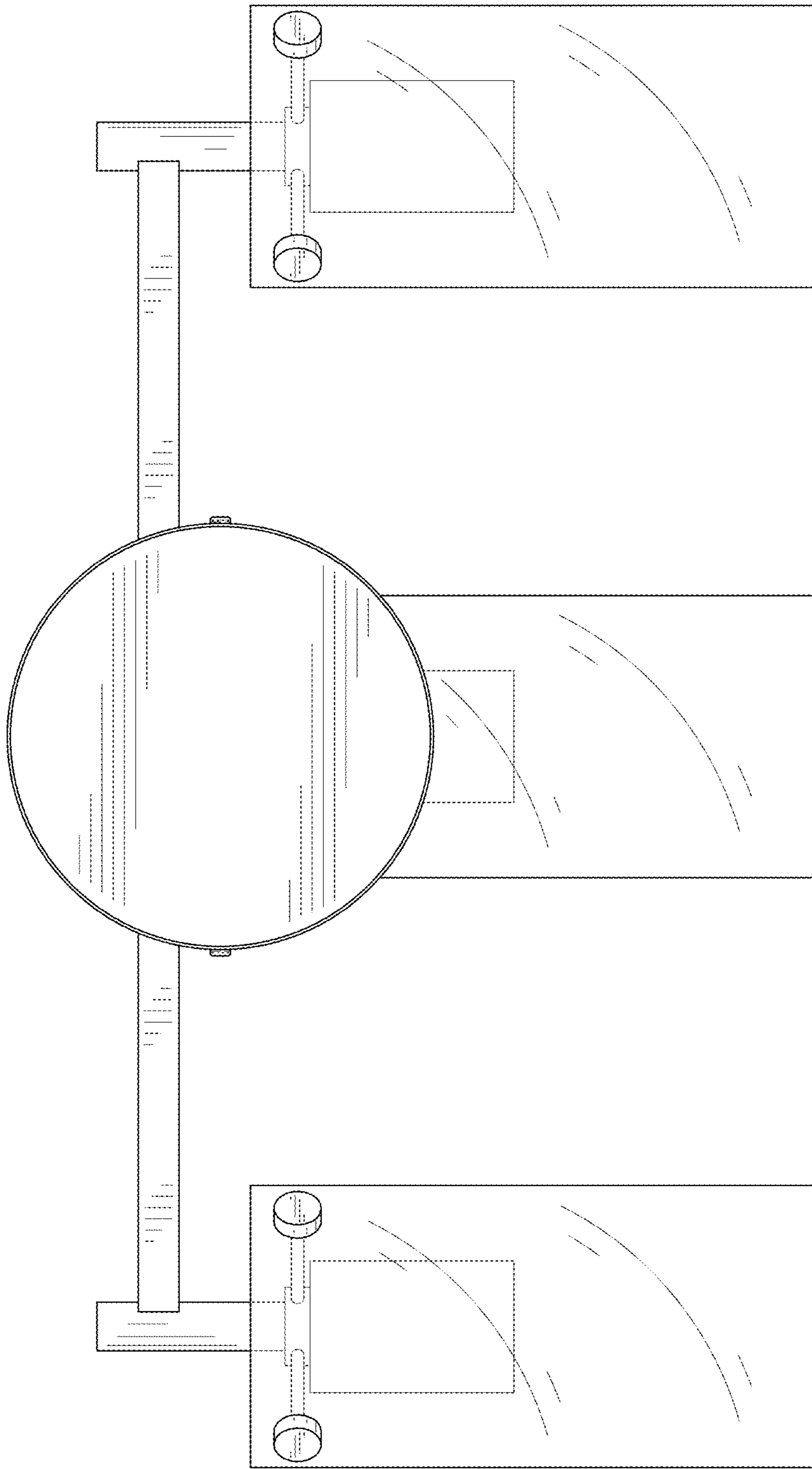


FIG. 4

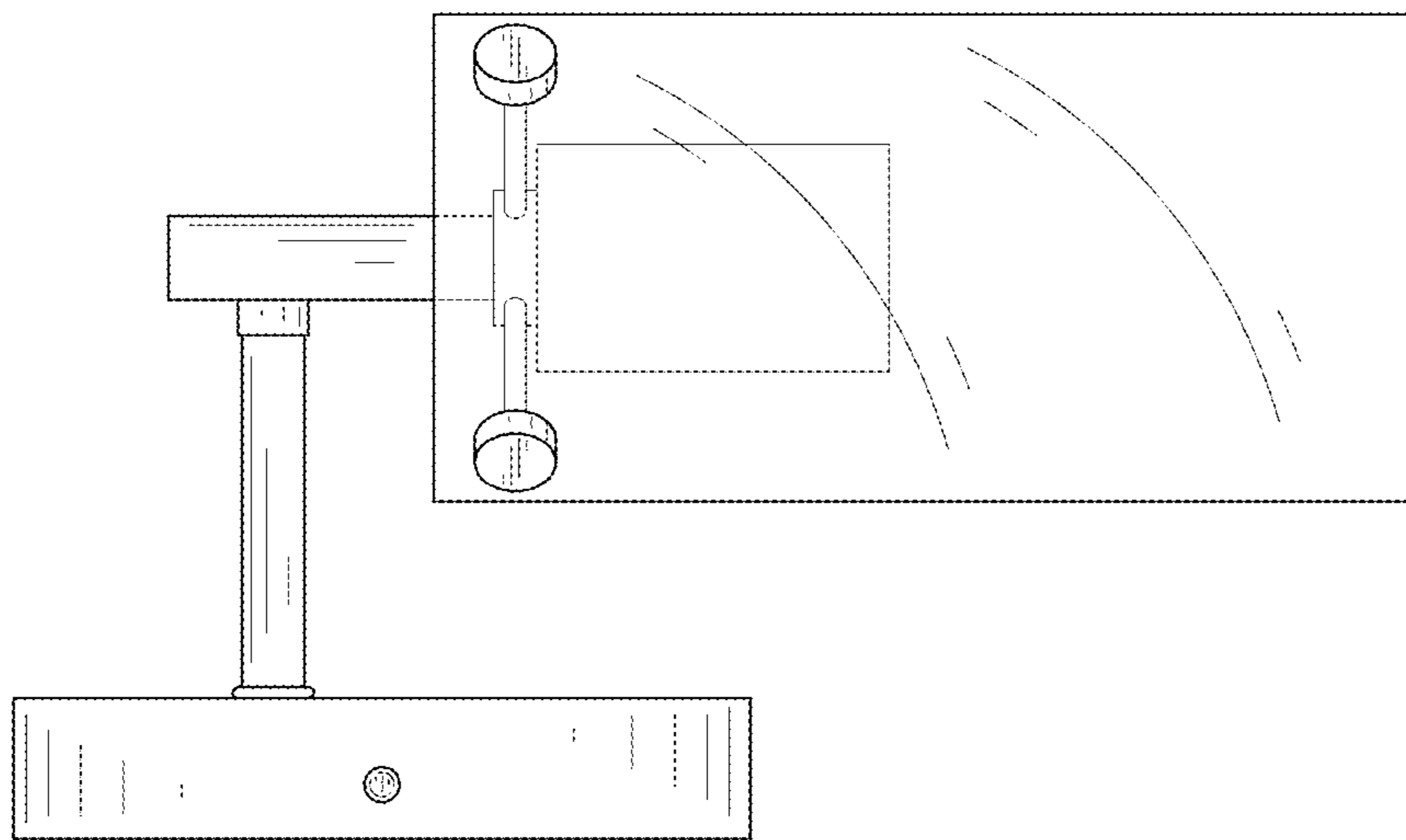


FIG. 5

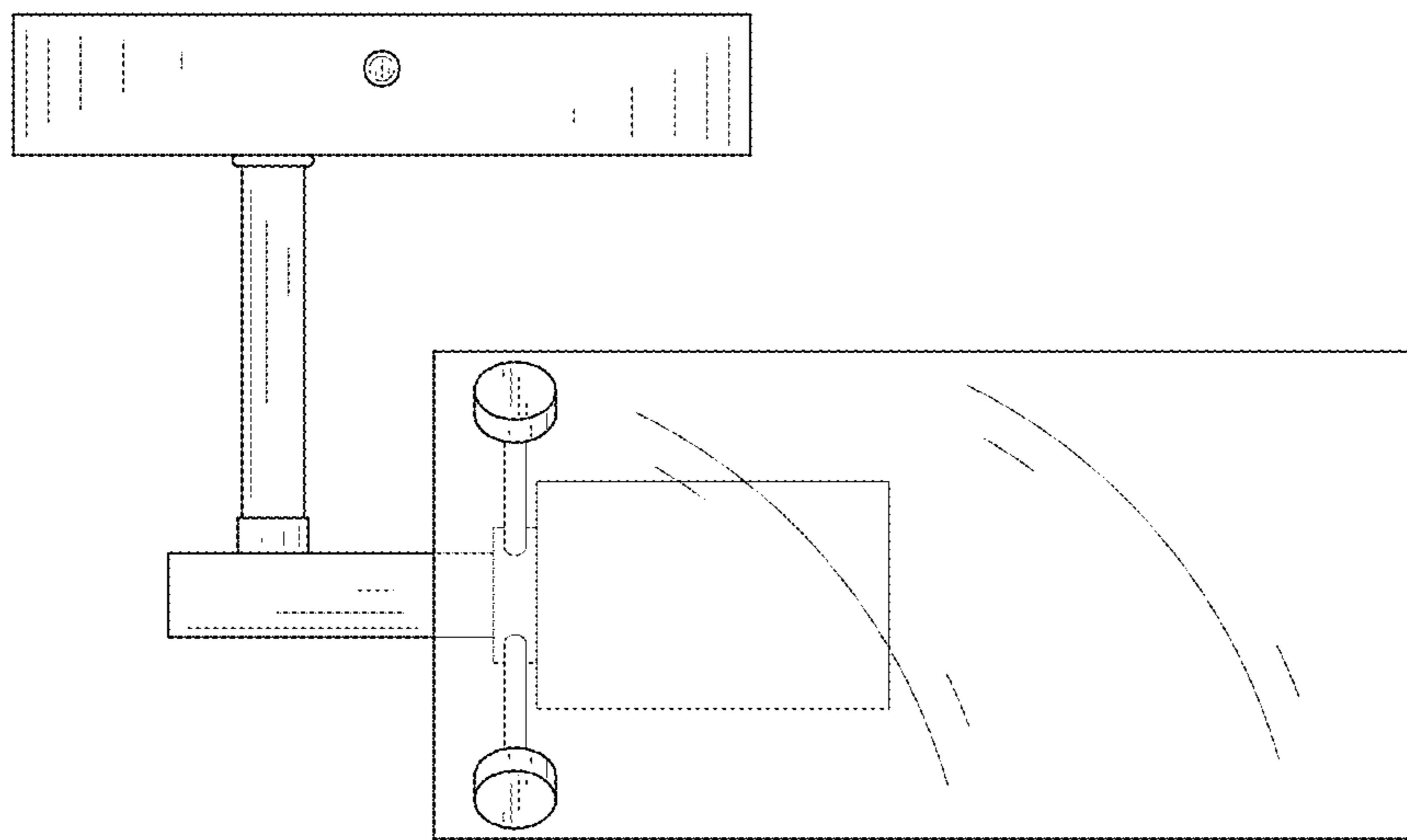


FIG. 6

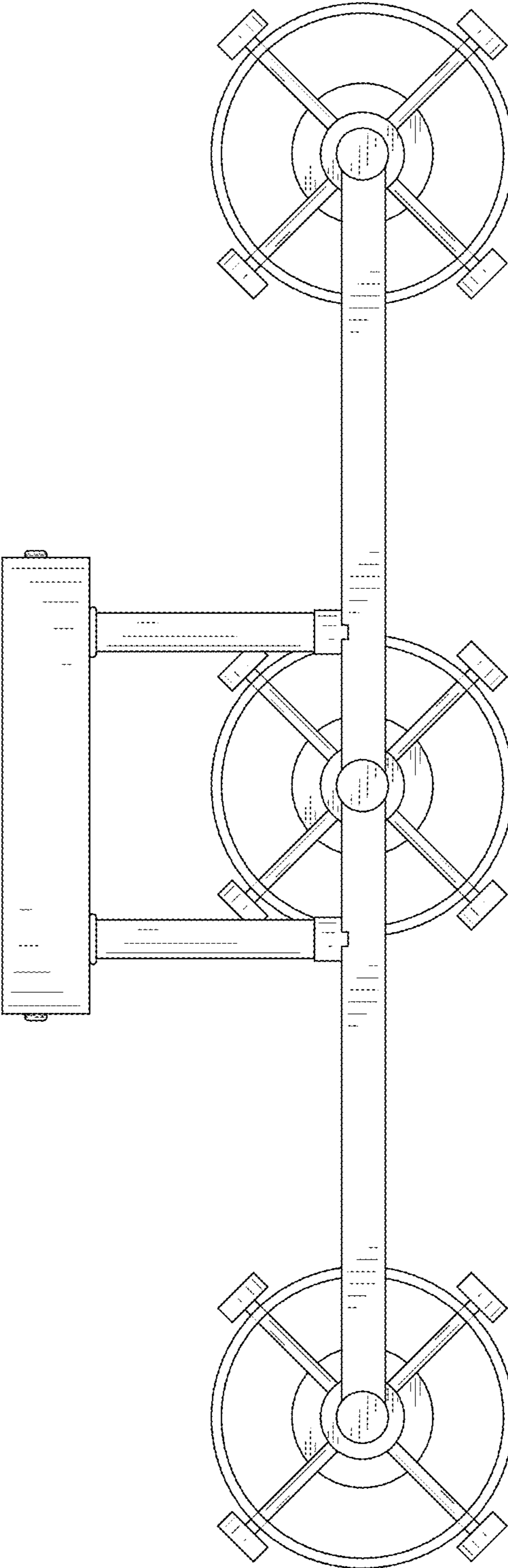


FIG. 7



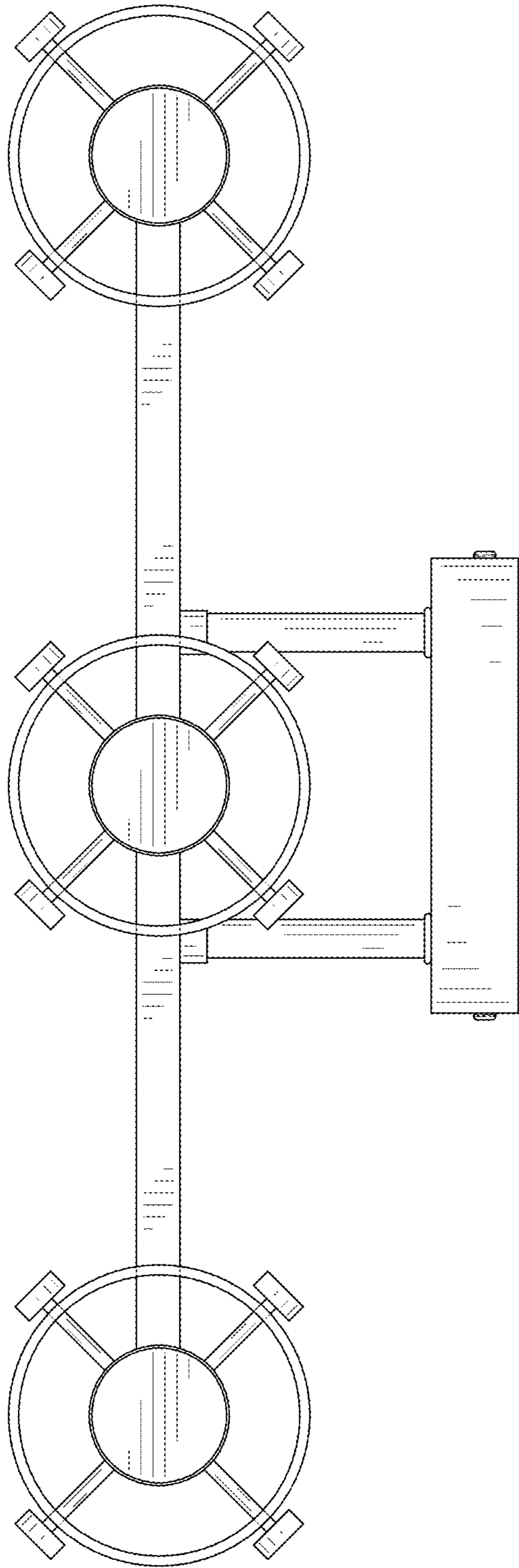


FIG. 8

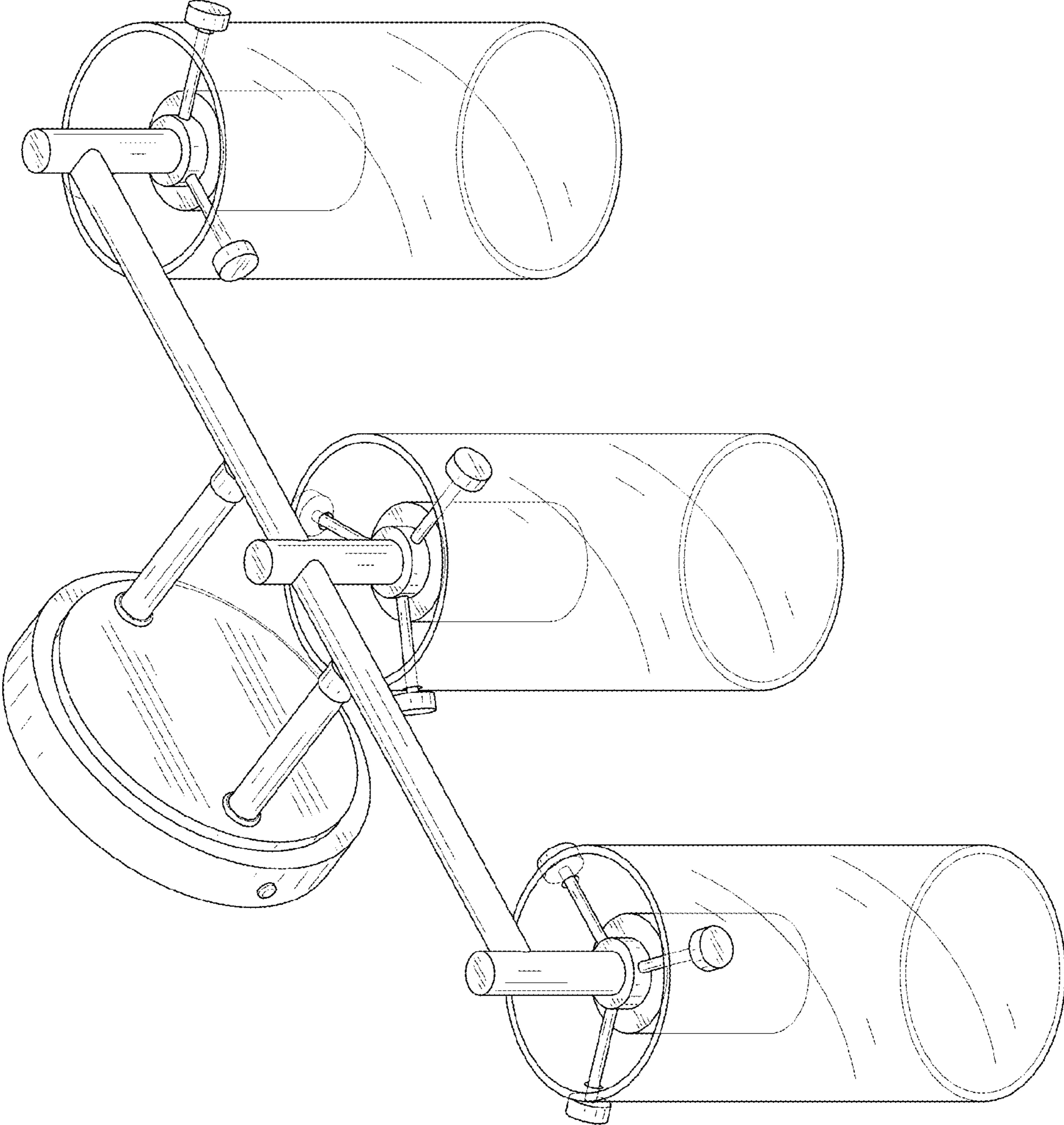


FIG. 9

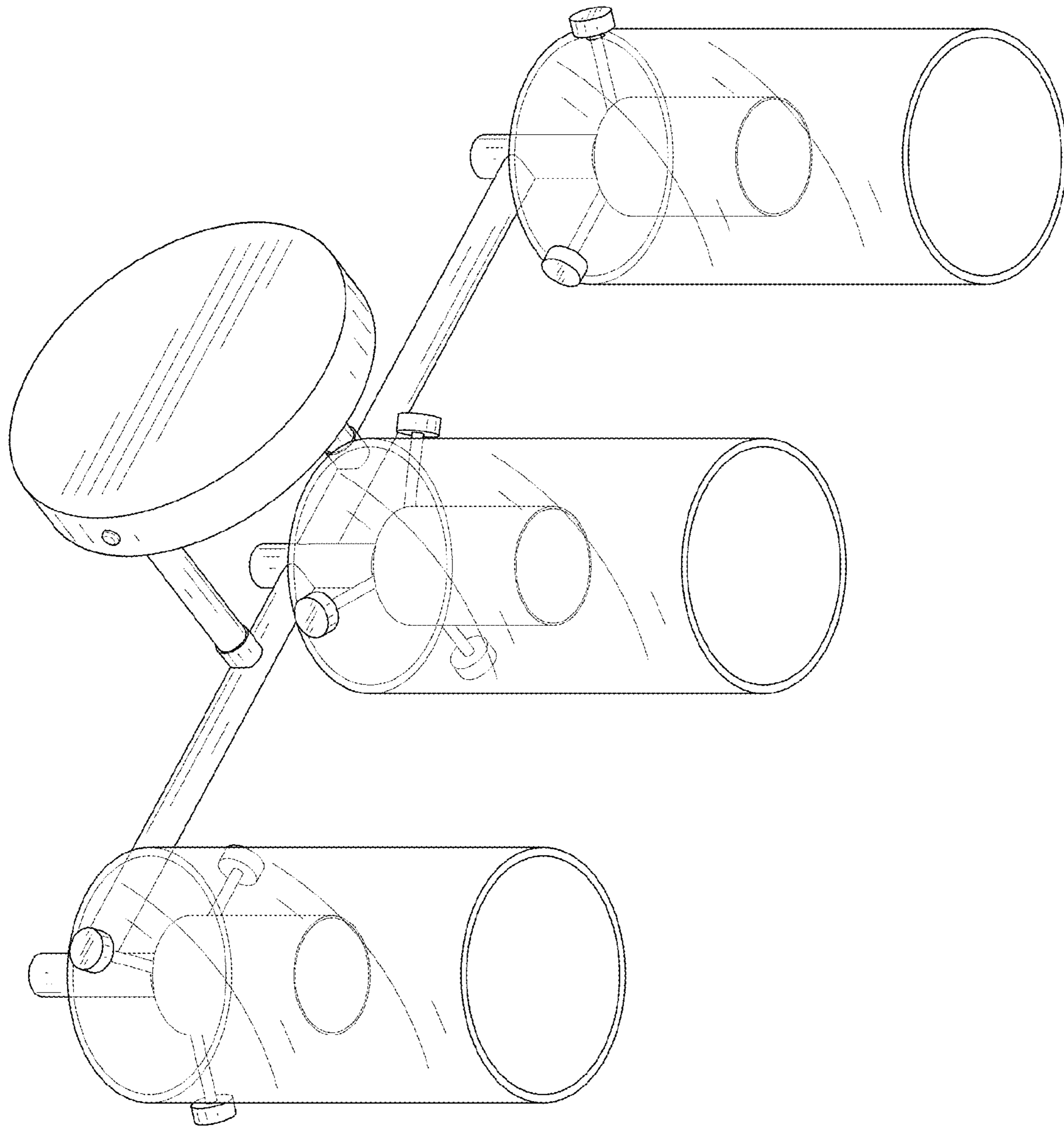


FIG. 10

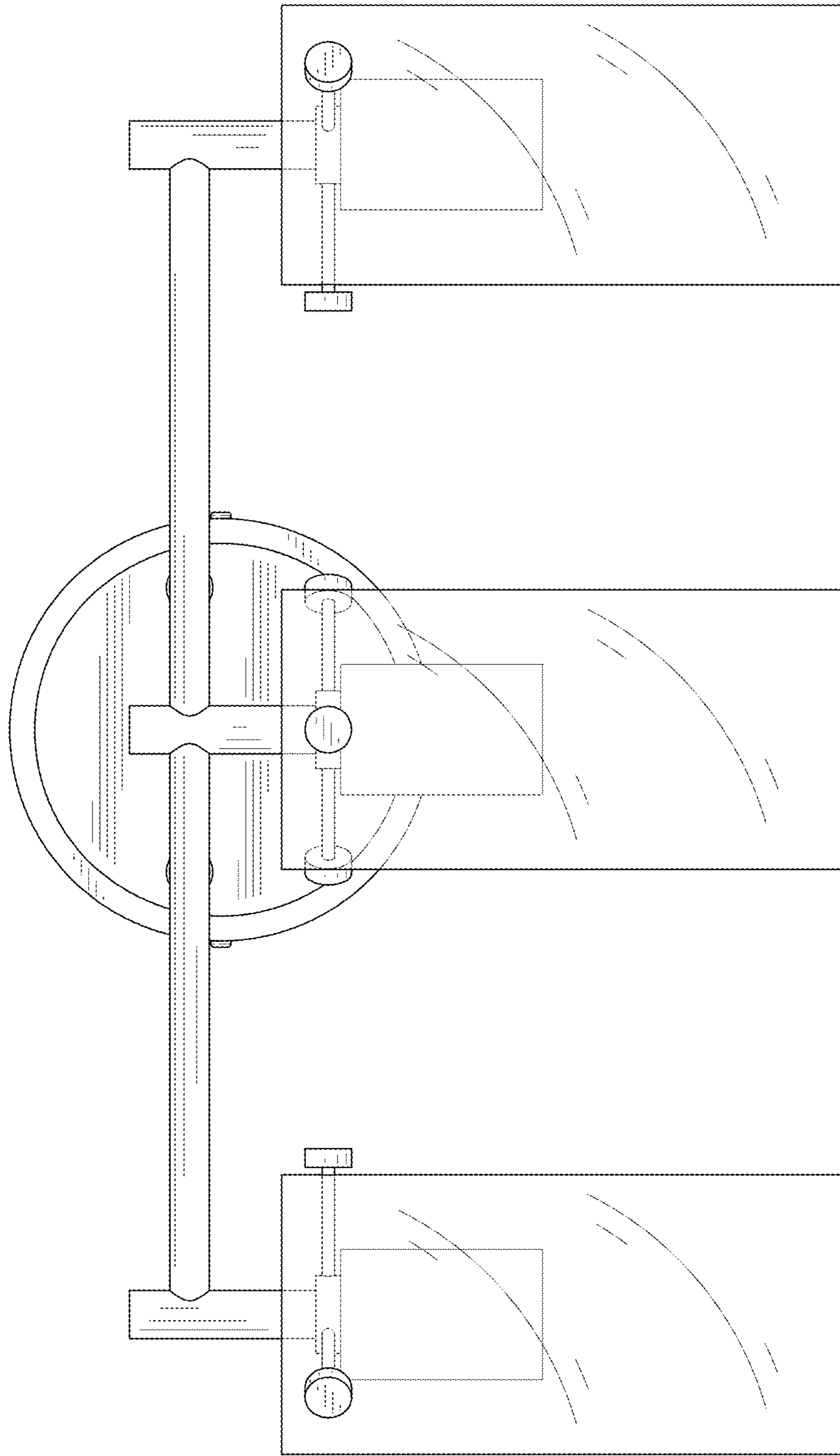


FIG. 11

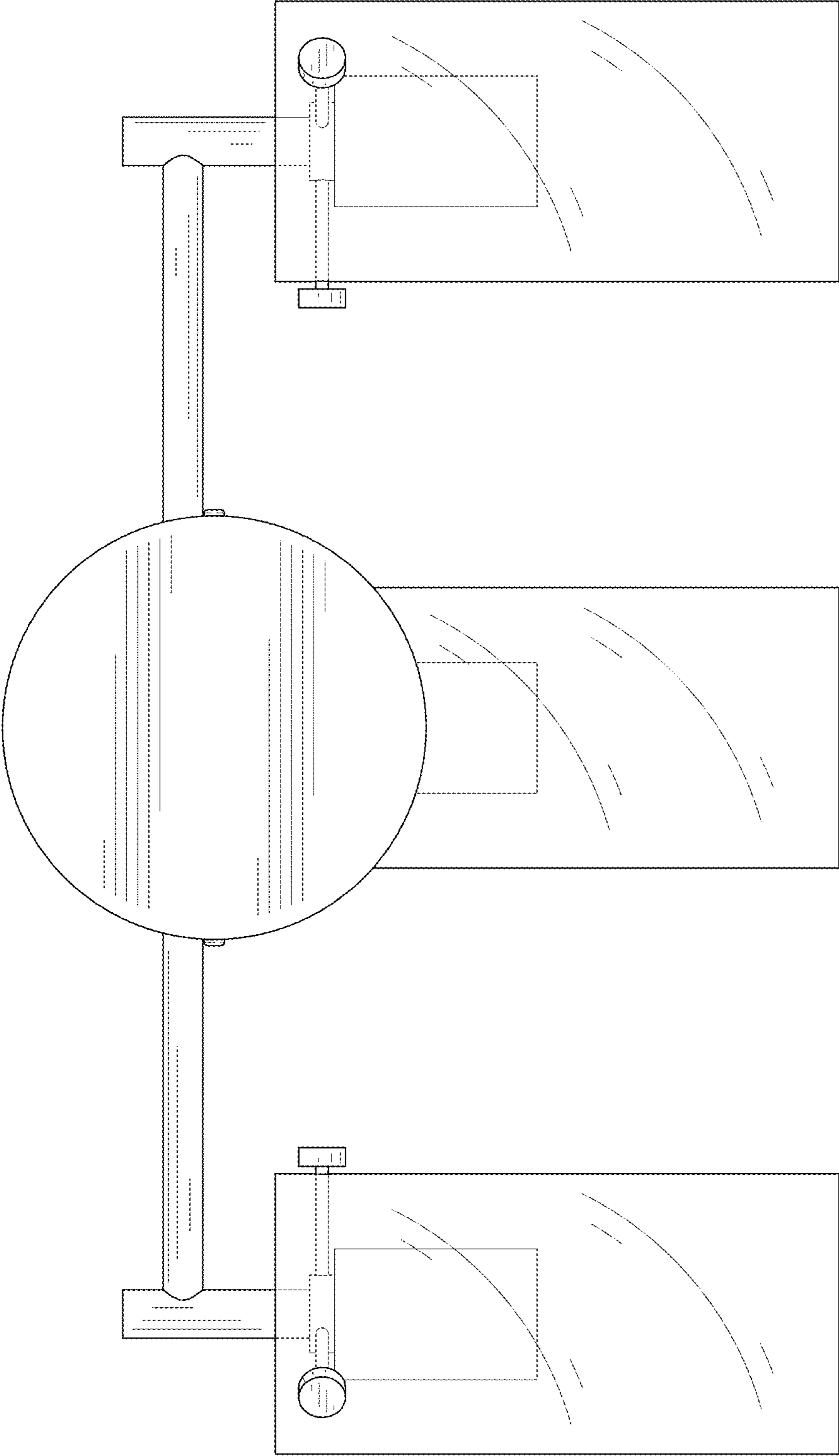


FIG. 12

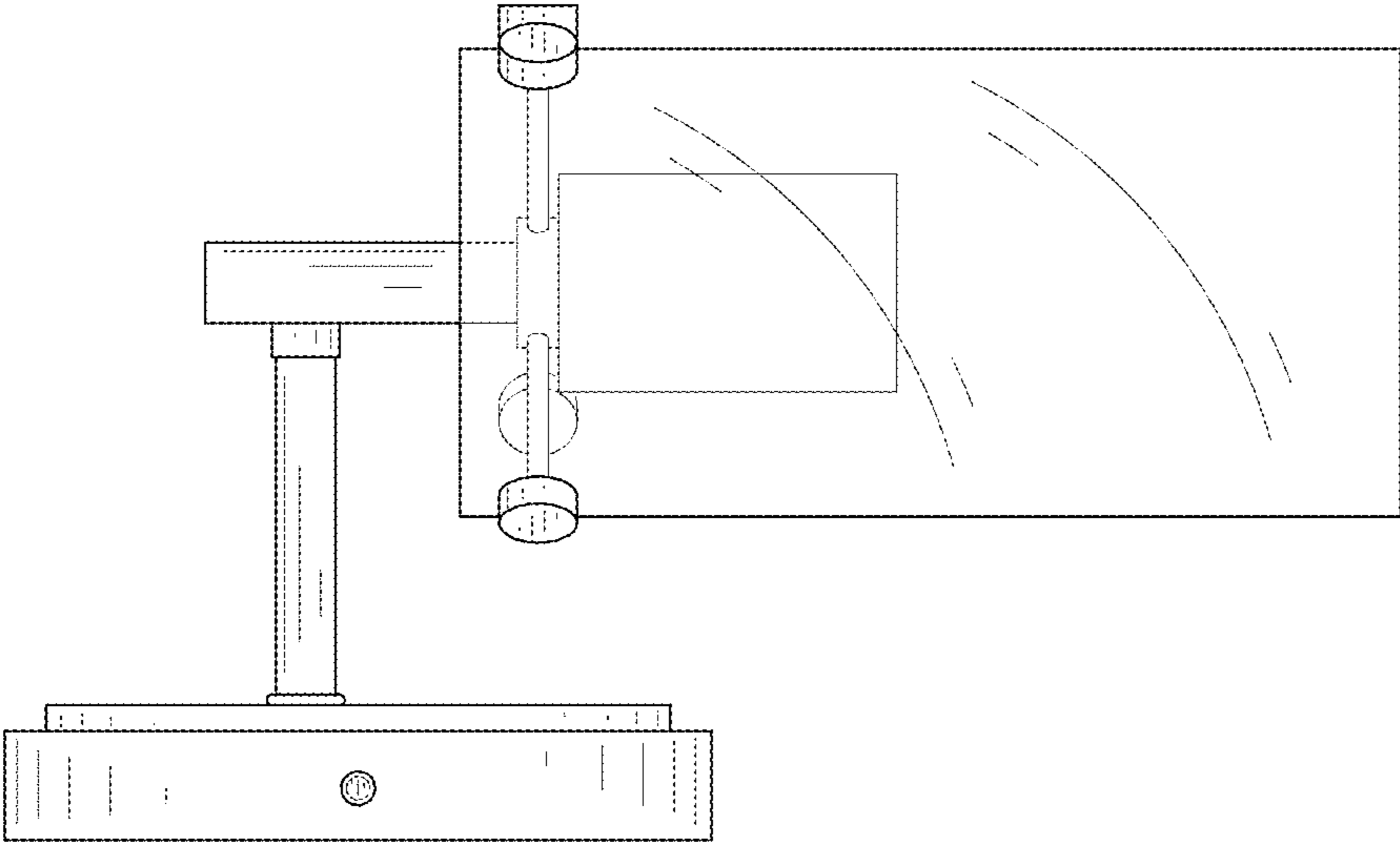


FIG. 13

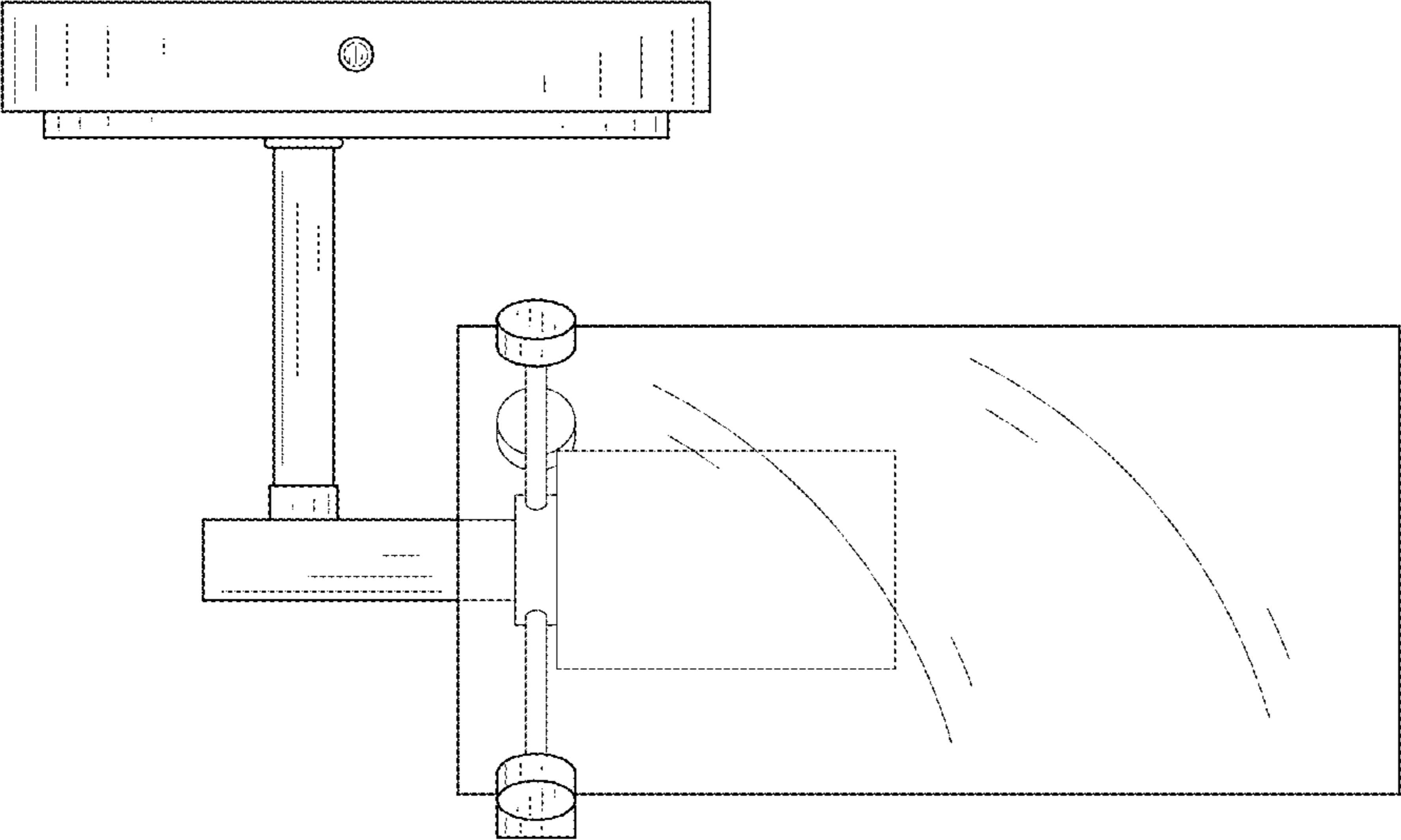


FIG. 14

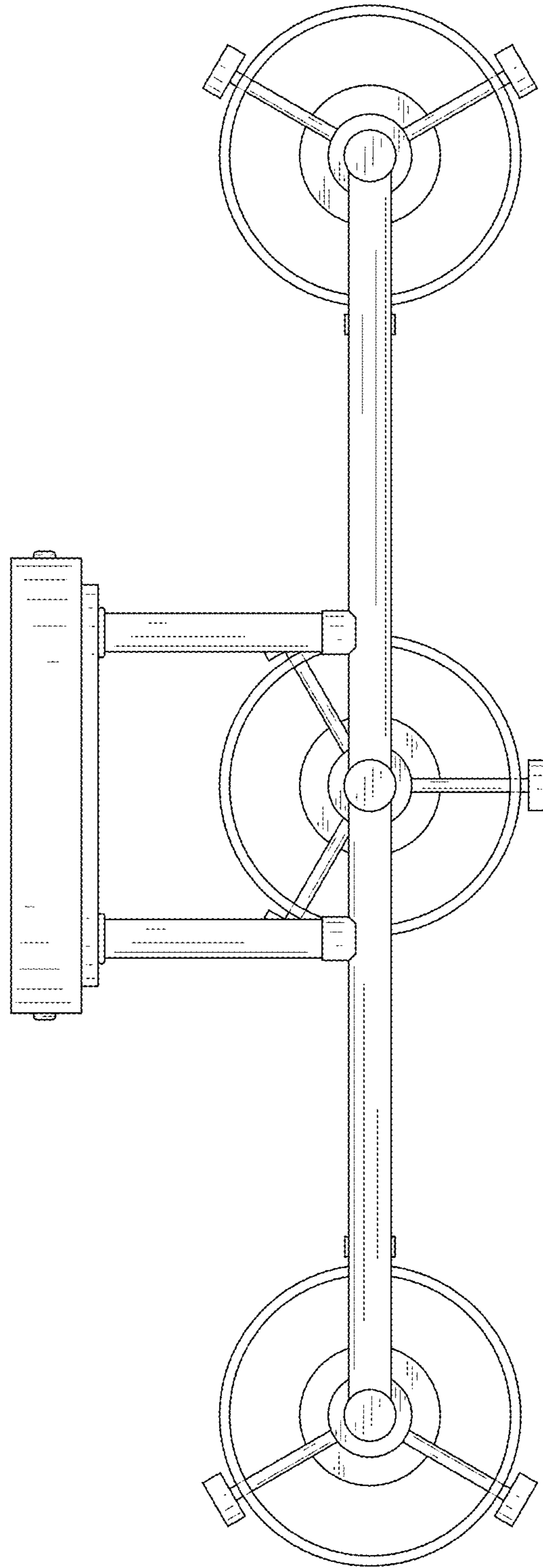


FIG. 15



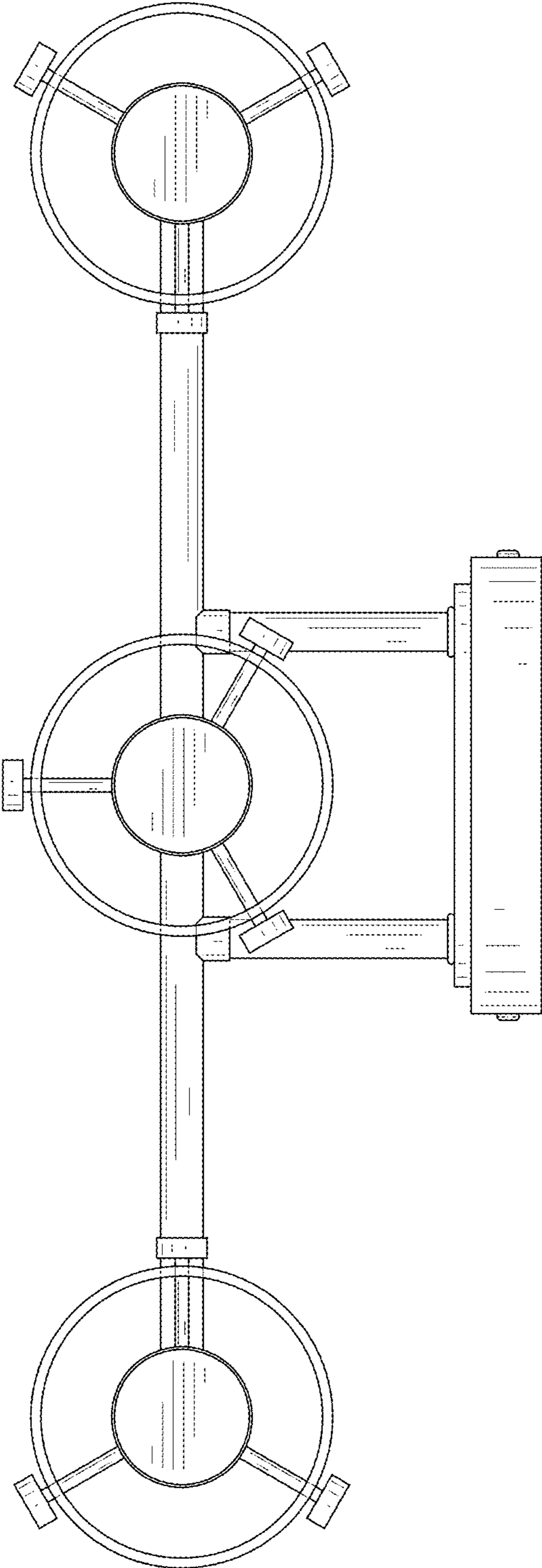


FIG. 16