



US00D977173S

(12) **United States Design Patent** (10) **Patent No.:** **US D977,173 S**  
**Ding** (45) **Date of Patent:** **\*\* Jan. 31, 2023**

(54) **TELESCOPIC PLANT LIGHT**

FOREIGN PATENT DOCUMENTS

(71) Applicant: **Huizhou Hongrui Photoelectric Technology Co., Ltd.**, Guangdong (CN)

CN 304059667 \* 2/2017  
CN 305854773 \* 6/2020  
CN 306244154 \* 12/2020

(72) Inventor: **Yu Lin Ding**, Boluo County (CN)

OTHER PUBLICATIONS

(73) Assignee: **HUIZHOU HONGRUI PHOTOELECTRIC TECHNOLOGY CO., LTD.**, Guangdong (CN)

Enlfjoss LED Grow Light, Plant Growing Lamp, available in Amazon.com, customer review oldest date Jan. 28, 2021 [online], [site visited Jul. 19, 2022], Available from the internet URL:https://www.amazon.com/Enlfjoss-Covering-Full-Spectrum-Noiseless-Warehouse/dp/B095YJN6MT/ref=cm\_cr\_ar\_p\_d\_product\_top?ie=UTF8 (Year: 2021).\*

(\*\*) Term: **15 Years**

(21) Appl. No.: **29/797,249**

\* cited by examiner

(22) Filed: **Jun. 29, 2021**

*Primary Examiner* — Brett Miller

(51) **LOC (14) Cl.** ..... **26-04**

*Assistant Examiner* — Jasmine L. Comedy

(52) **U.S. Cl.**  
USPC ..... **D26/76**

(74) *Attorney, Agent, or Firm* — Leong C. Lei

(58) **Field of Classification Search**  
USPC ..... D26/76, 77, 85, 113, 24; 362/223, 220, 362/249.15

(57) **CLAIM**

The ornamental design for a telescopic plant light, as shown and described.

CPC .. F21Y 2113/00; F21Y 2103/00; F21V 17/00; F21S 8/04; F21S 4/28; A01G 7/045; A01G 9/249; D03D 9/00; H05B 45/20  
See application file for complete search history.

**DESCRIPTION**

FIG. 1 is a perspective view of a telescopic plant light showing my present design;  
FIG. 2 is a front view thereof;  
FIG. 3 is a rear view thereof;  
FIG. 4 is a left side view thereof;  
FIG. 5 is a right side view thereof;  
FIG. 6 is a top view thereof; and,  
FIG. 7 is a bottom view thereof.

(56) **References Cited**

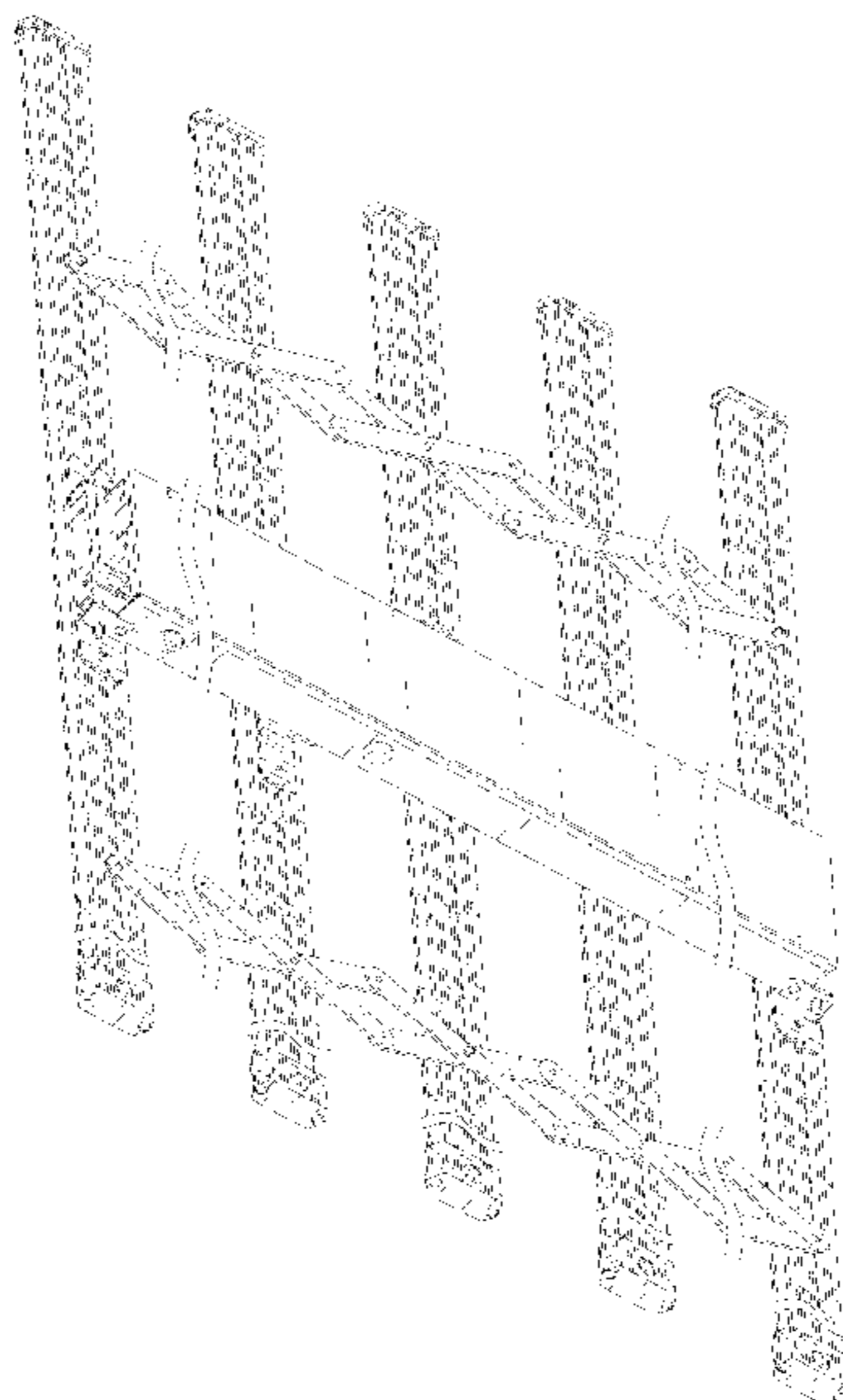
U.S. PATENT DOCUMENTS

D804,077 S \* 11/2017 Ma ..... D26/76  
D863,656 S \* 10/2019 Klase ..... D26/113  
10,436,428 B2 \* 10/2019 Duong ..... F21V 29/74  
D868,337 S \* 11/2019 Deng ..... D26/76  
D881,440 S \* 4/2020 Zhu ..... D26/76  
D910,898 S \* 2/2021 Chen ..... D26/76  
D923,850 S \* 6/2021 Liu ..... D26/76  
D928,381 S \* 8/2021 Xia ..... D26/76  
2016/0003453 A1 \* 1/2016 Klase ..... F21S 4/28  
362/220  
2020/0053967 A1 \* 2/2020 Murphy ..... H05B 45/20

The broken lines in the drawings illustrate portions of the telescopic plant light which form no part of the claimed design.

The drawings contain symbolic break lines in FIG. 1-7. The portion between the break lines forms no part of the claimed design.

**1 Claim, 7 Drawing Sheets**



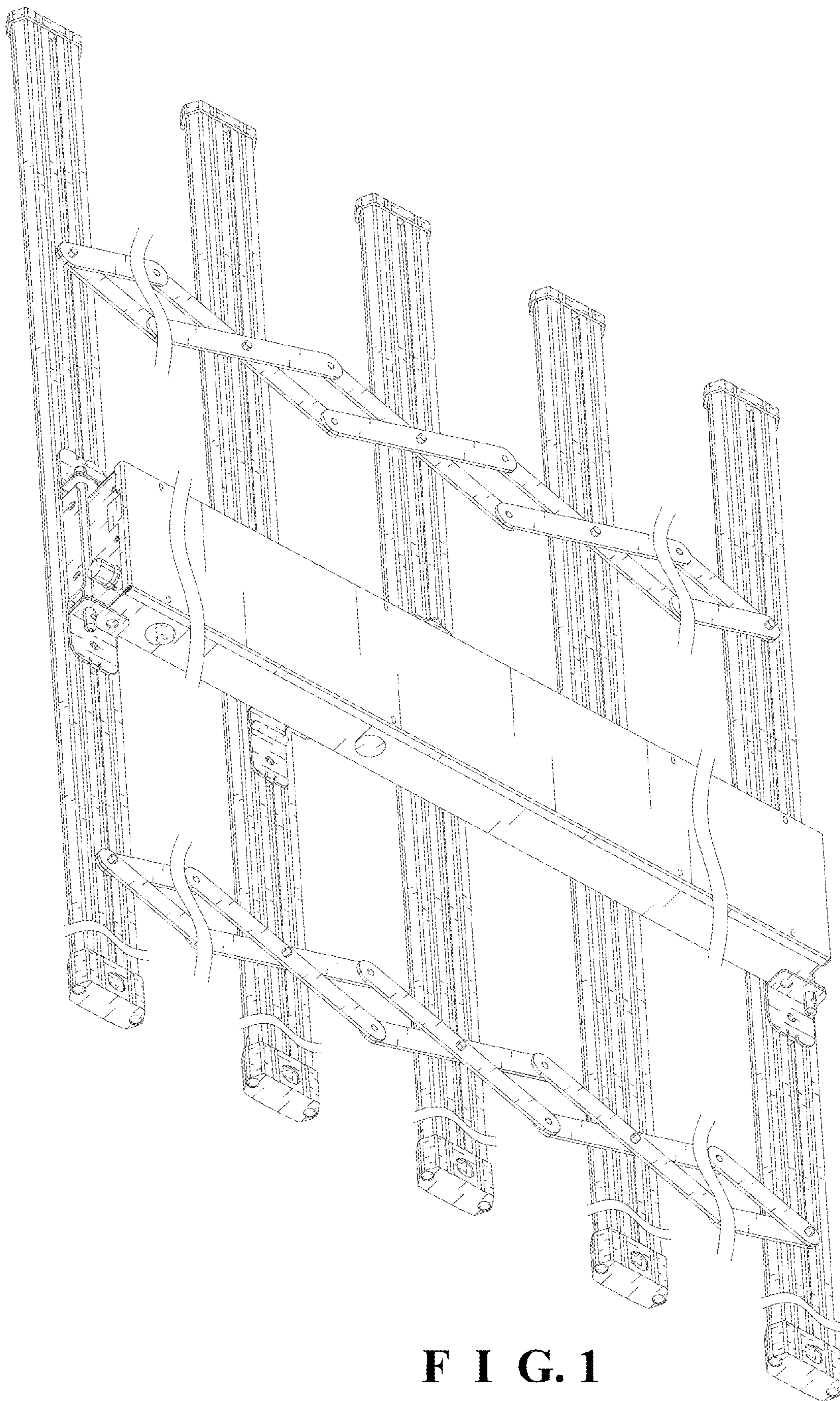


FIG. 1

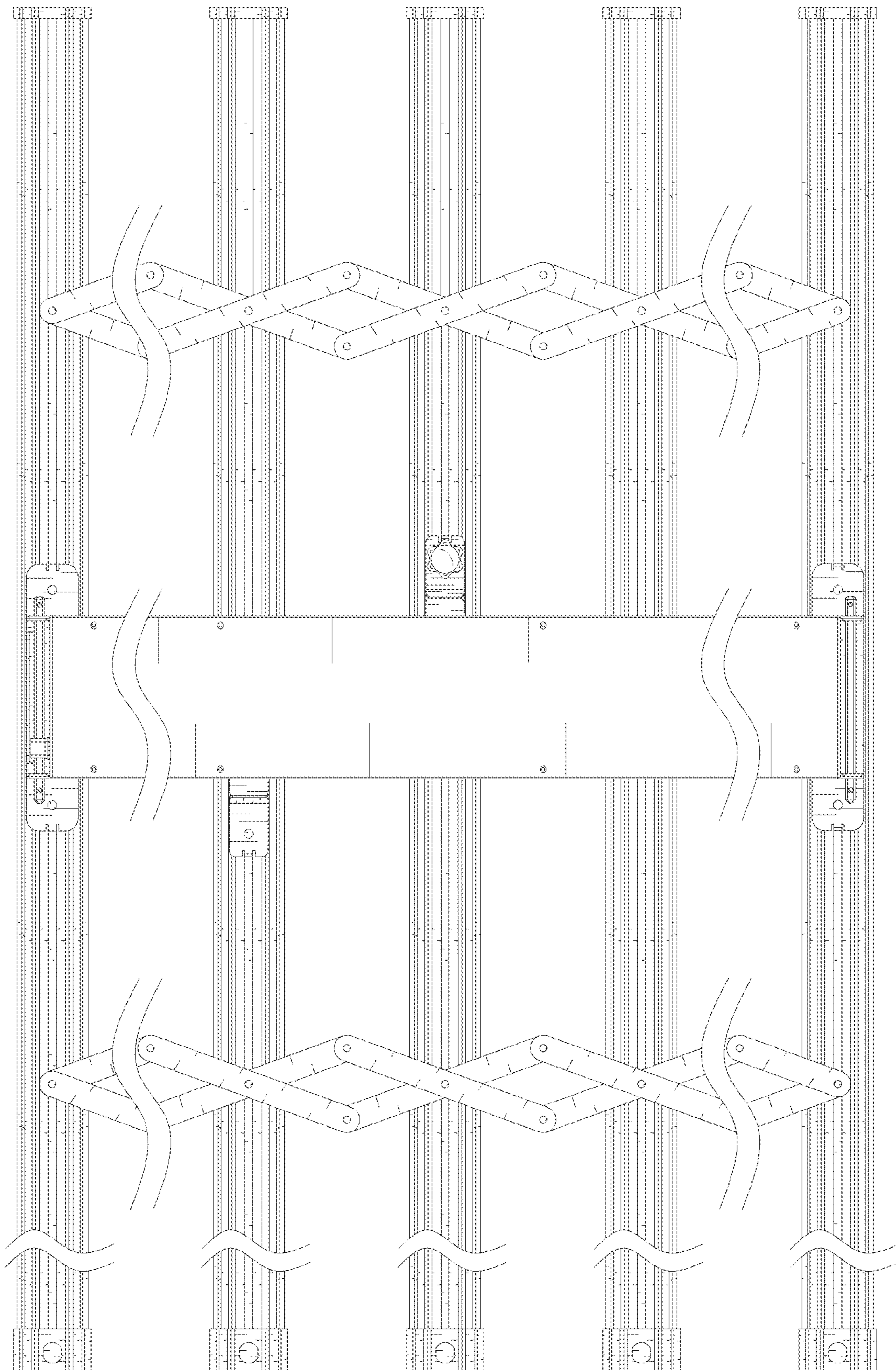


FIG. 2

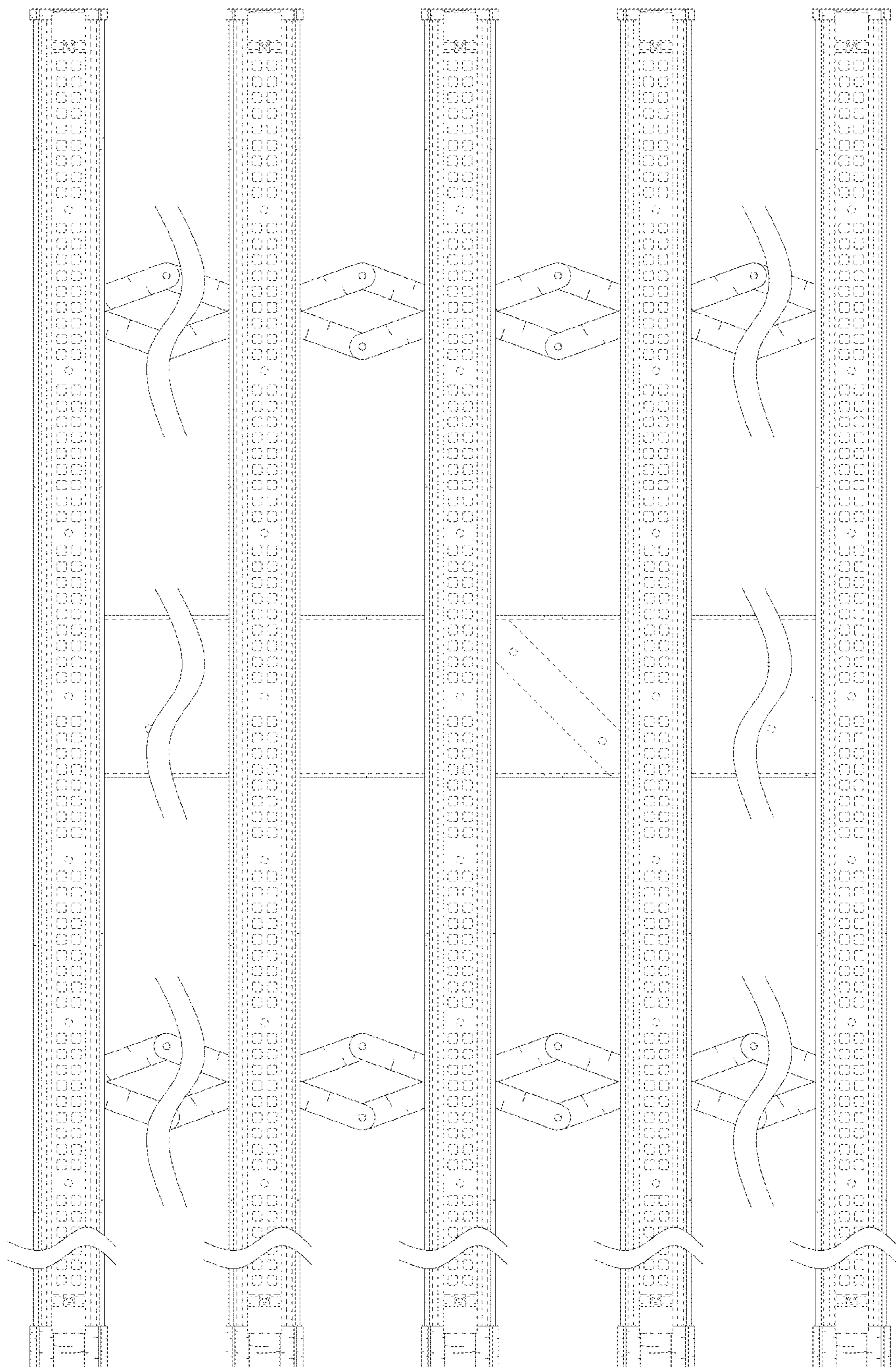


FIG. 3

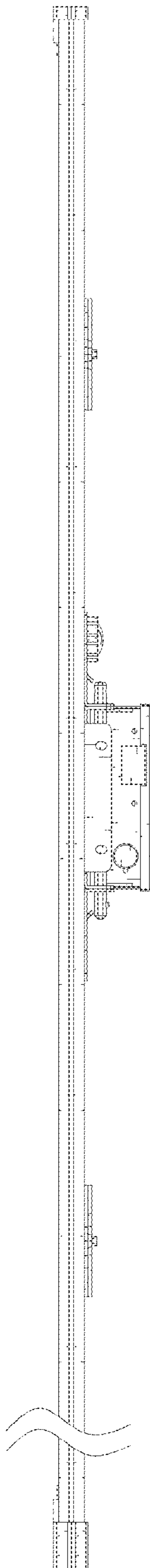
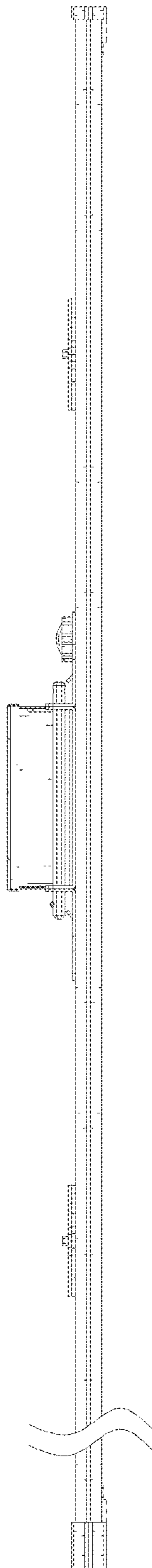
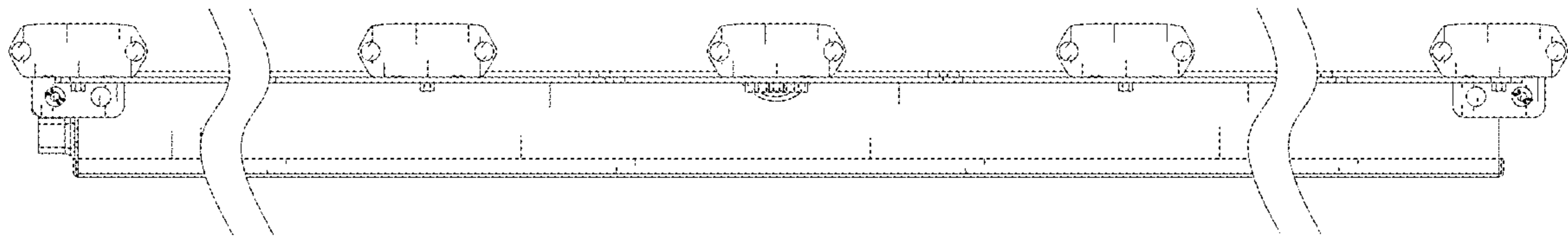


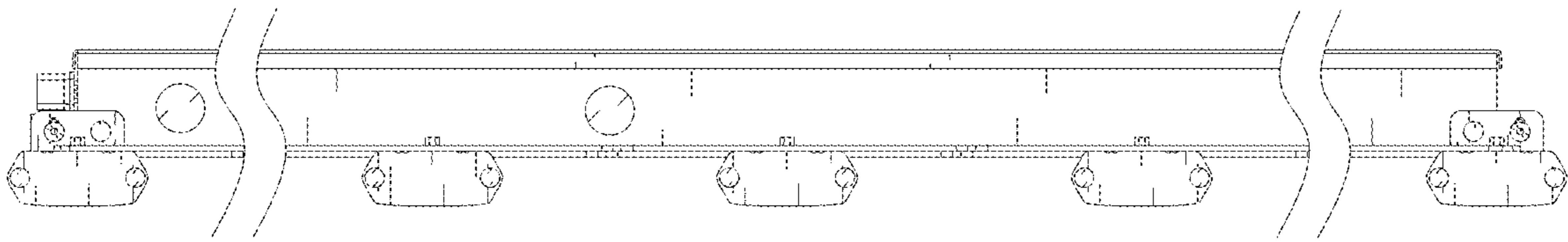
FIG. 4



**FIG. 5**



**F I G. 6**



**FIG. 7**