



US00D977172S

(12) **United States Design Patent** (10) **Patent No.:** **US D977,172 S**
Oross et al. (45) **Date of Patent:** **** Jan. 31, 2023**

(54) **EDGELIT LINEAR HIGHBAY LIGHT
FIXTURE**

Available from the internet URL: <https://www.beeslighting.com/22.5STRIPDIM-830-277V> (Year: 2018).*

(Continued)

(71) Applicant: **RAB Lighting Inc.**, New York, NY
(US)

Primary Examiner — Brett Miller
Assistant Examiner — Jasmine L. Comedy

(72) Inventors: **Glen Oross**, San Diego, CA (US);
Nicholas Calaceto, Paramus, NJ (US);
Wengang Gao, Ningbo (CN); **Mark
Novak**, Moreno Valley, CA (US)

(74) *Attorney, Agent, or Firm* — Innovation Law Office;
Dennis S. Schell

(73) Assignee: **RAB Lighting Inc.**, New York, NY
(US)

(57) **CLAIM**

The ornamental design for an edgelit linear highbay light fixture, as shown and described.

(**) Term: **15 Years**

DESCRIPTION

(21) Appl. No.: **29/782,838**

FIG. 1 is a top perspective view of a first embodiment of an edgelit linear highbay light fixture

(22) Filed: **May 10, 2021**

FIG. 2 is a bottom perspective view of the first embodiment thereof;

(51) **LOC (14) Cl.** **26-04**

FIG. 3 is a front elevational view of the first embodiment thereof;

(52) **U.S. Cl.**

FIG. 4 is a rear elevational view of the first embodiment thereof;

USPC **D26/76**

(58) **Field of Classification Search**

USPC D26/24, 72, 51, 76, 78, 89, 118, 120;
362/223, 217.01

FIG. 5 is a right side elevational view of the first embodiment thereof;

FIG. 6 is a left side elevational view of the first embodiment thereof;

(Continued)

(56) **References Cited**

U.S. PATENT DOCUMENTS

D476,753 S * 7/2003 Chelf D26/3
D521,173 S * 5/2006 Noh D26/78

(Continued)

FOREIGN PATENT DOCUMENTS

CN 302799401 * 4/2014
GB 6019052 * 9/2017

OTHER PUBLICATIONS

4ft LED Strip Light, available in [beeslighting.com](https://www.beeslighting.com), customer review oldest date Apr. 9, 2018 [online], [site visited Sep. 15, 2022],

FIG. 7 is a top plan view of the first embodiment thereof;
FIG. 8 is a bottom plan view of the first embodiment thereof;
FIG. 9 is a top perspective view of a second embodiment of an edgelit linear highbay light fixture
FIG. 10 is a bottom perspective view of the second embodiment thereof;
FIG. 11 is a front elevational view of the second embodiment thereof;
FIG. 12 is a rear elevational view of the second embodiment thereof;
FIG. 13 is a right side elevational view of the second embodiment thereof;
FIG. 14 is a left side elevational view of the second embodiment thereof;
FIG. 15 is a top plan view of the second embodiment thereof; and,

(Continued)

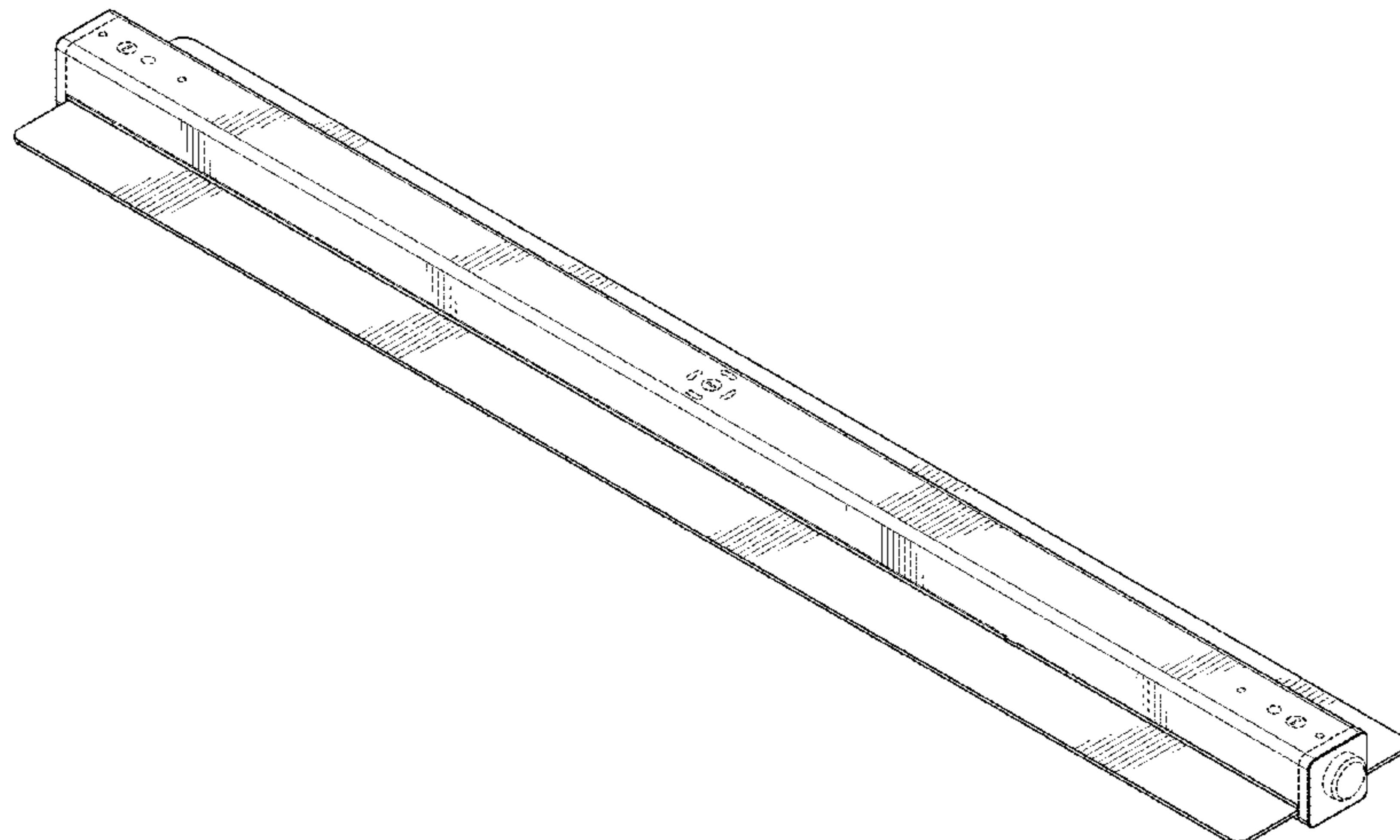


FIG. 16 is a bottom plan view of the second embodiment thereof.

The broken lines shown in the drawings are included for the purpose of illustrating unclaimed portions of the edgelit linear highbay light fixture and form no part of the claimed design. The embodiments of FIGS. 1-8 are shown with a symbolic break in the length of the design. The appearance of any portion of the article between the break lines forms no part of the claimed design.

FIG. 9 is the same as FIG. 1 with the symbolic break in the length of the design removed. The remaining views of the second embodiment are the same as FIGS. 2-8 with the symbolic break in the length of the design removed.

1 Claim, 10 Drawing Sheets

(58) **Field of Classification Search**

CPC F21Y 2103/00; F21Y 2103/20; F21S 8/04;
 F21S 8/033; F21S 8/03; F21V 7/005;
 F21V 3/02

See application file for complete search history.

(56)

References Cited

U.S. PATENT DOCUMENTS

D526,737 S *	8/2006	Noh	D26/78
D663,065 S *	7/2012	Beghelli	D26/76
D701,343 S *	3/2014	Ng	D26/76
D735,392 S *	7/2015	Ng	D26/76
D756,553 S *	5/2016	Kim	D26/76
D760,417 S *	6/2016	Benensohn	D26/76
D794,241 S *	8/2017	Huyghe	D26/80
D862,777 S *	10/2019	Antony	D26/118
D877,391 S *	3/2020	Lin	D26/76
D885,634 S *	5/2020	Bhavanbhai Patel	D26/76
D898,976 S *	10/2020	Xu	D26/76

OTHER PUBLICATIONS

MILUM recessed lamps, available in architonic.com, announced Year 2020 [online], [site visited Sep. 21, 2022], Internet URL: <https://www.architonic.com/en/product/ribag-milum-recessed-lamps-with-acrylic-glass-diffuser-opal/20121660> (Year: 2020).*

* cited by examiner

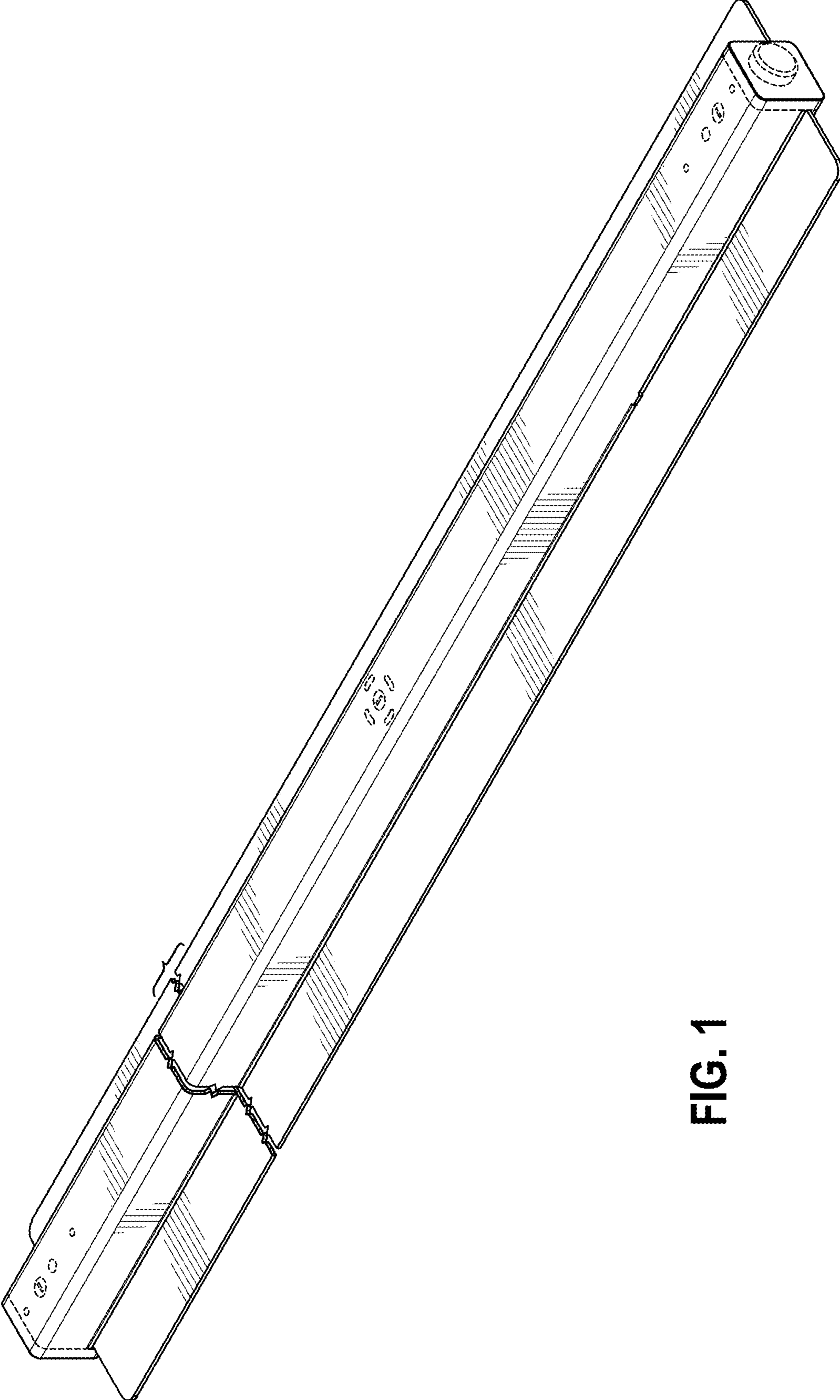


FIG. 1

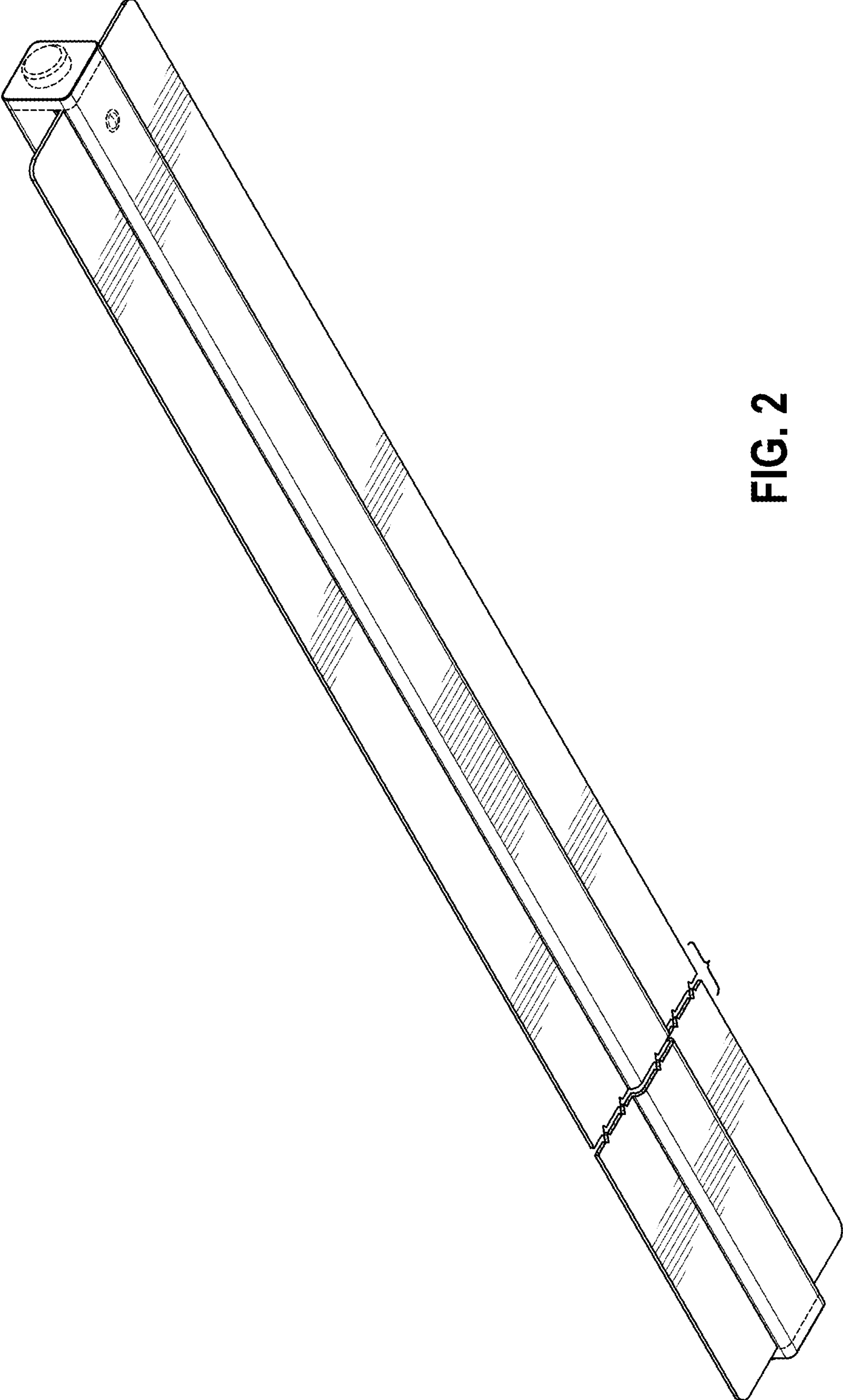


FIG. 2

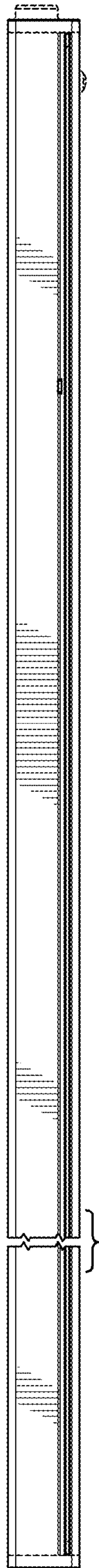


FIG. 3

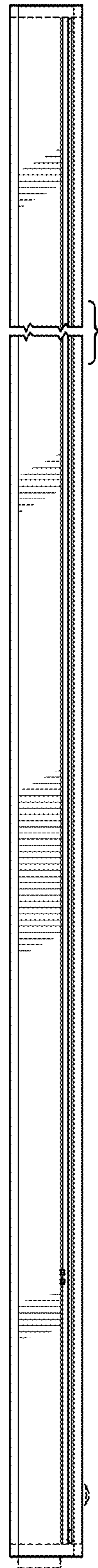


FIG. 4

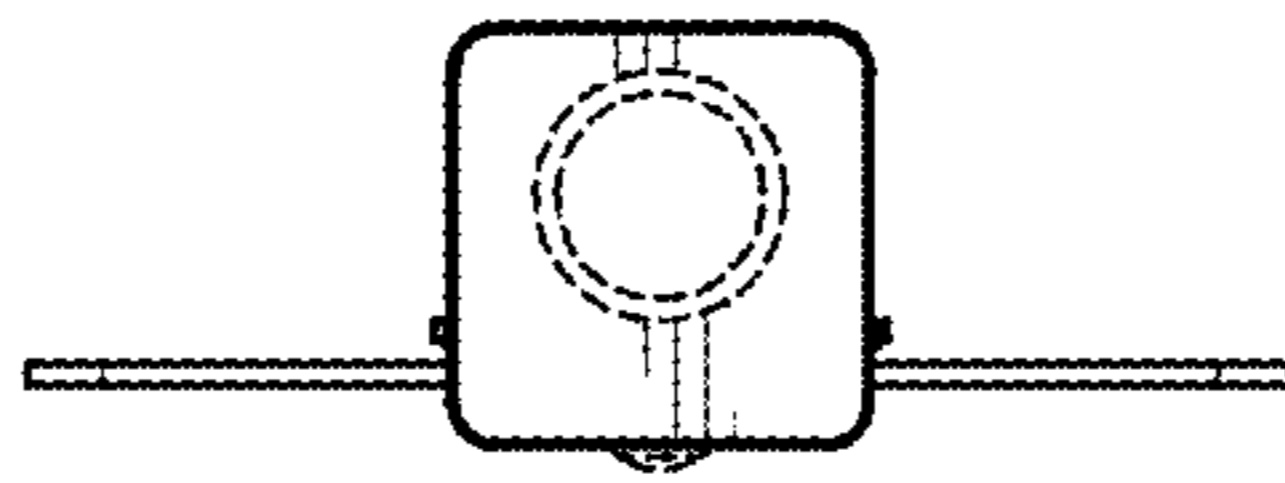


FIG. 5

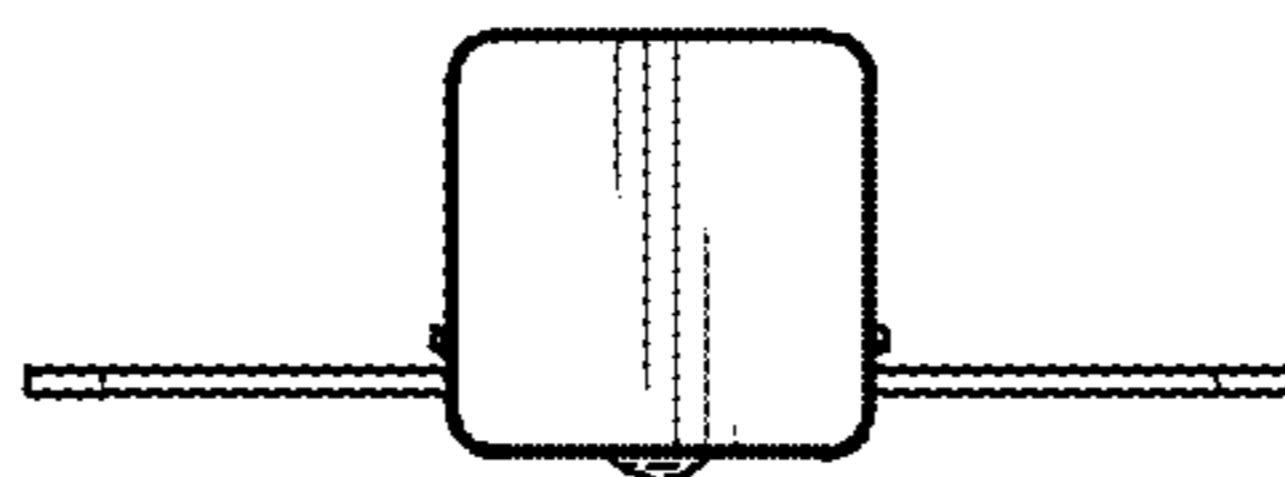


FIG. 6

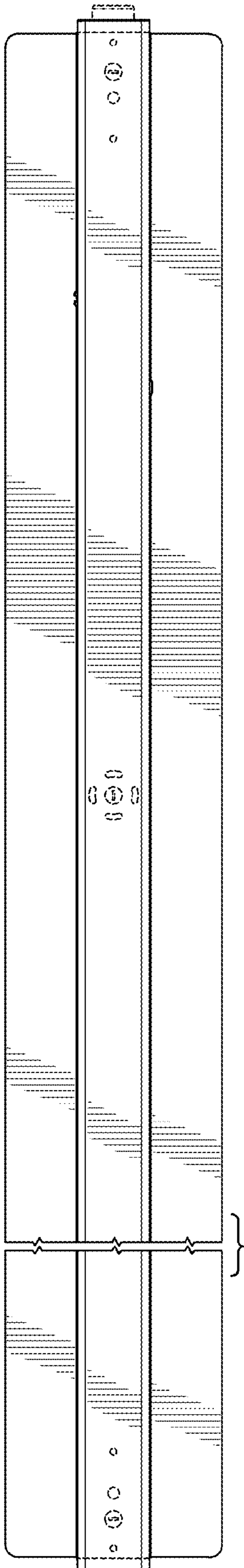


FIG. 7

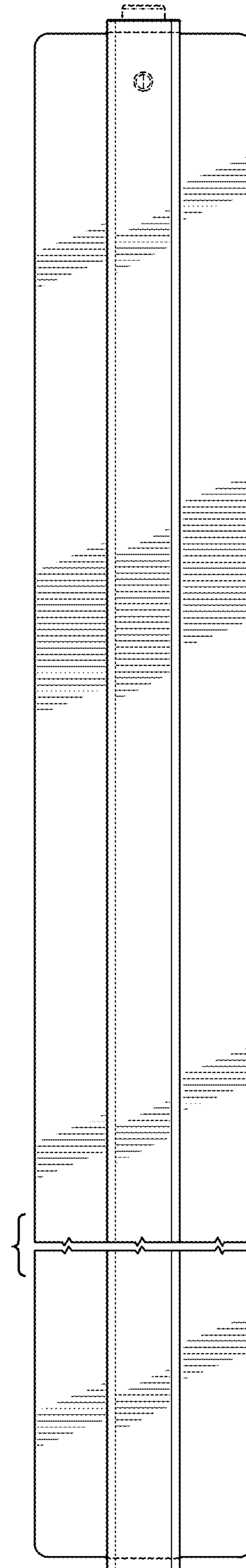


FIG. 8

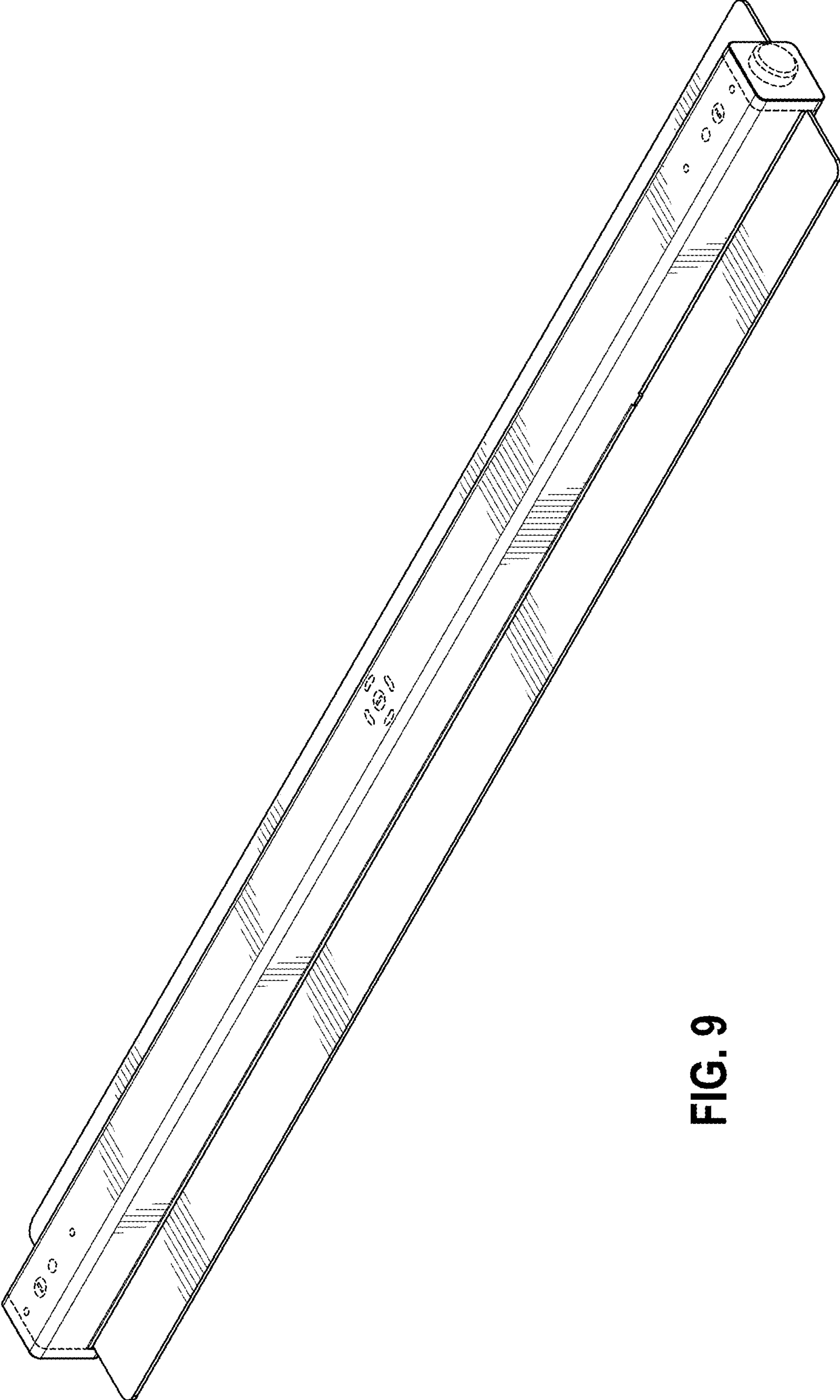


FIG. 9

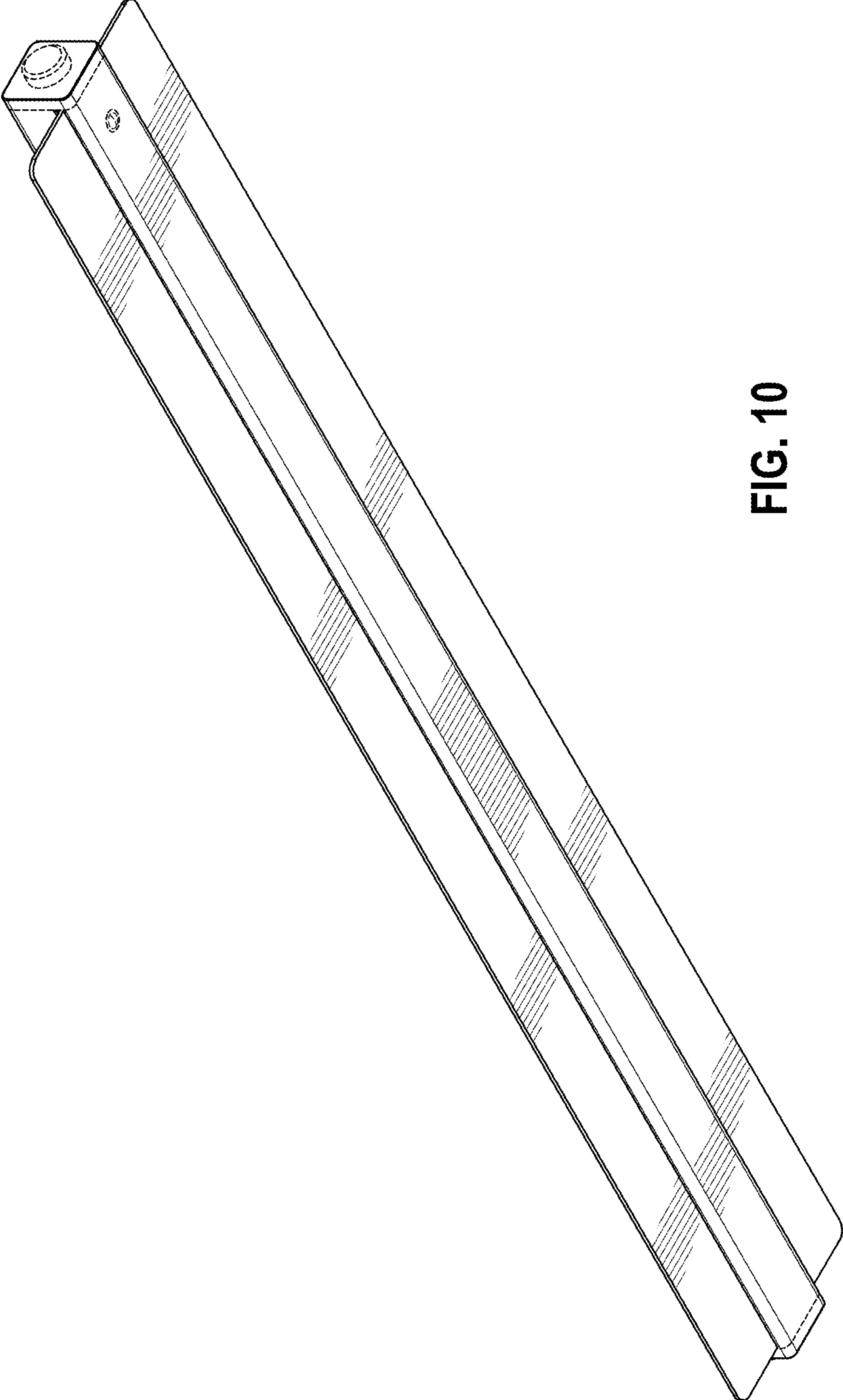


FIG. 10

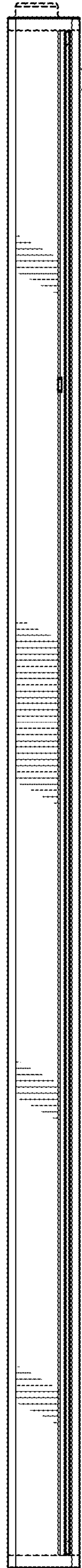


FIG. 11

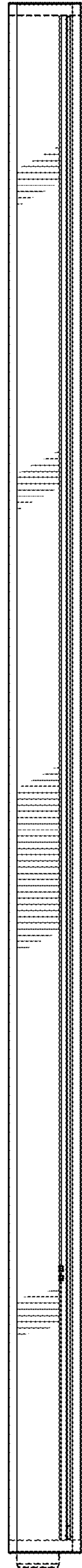


FIG. 12

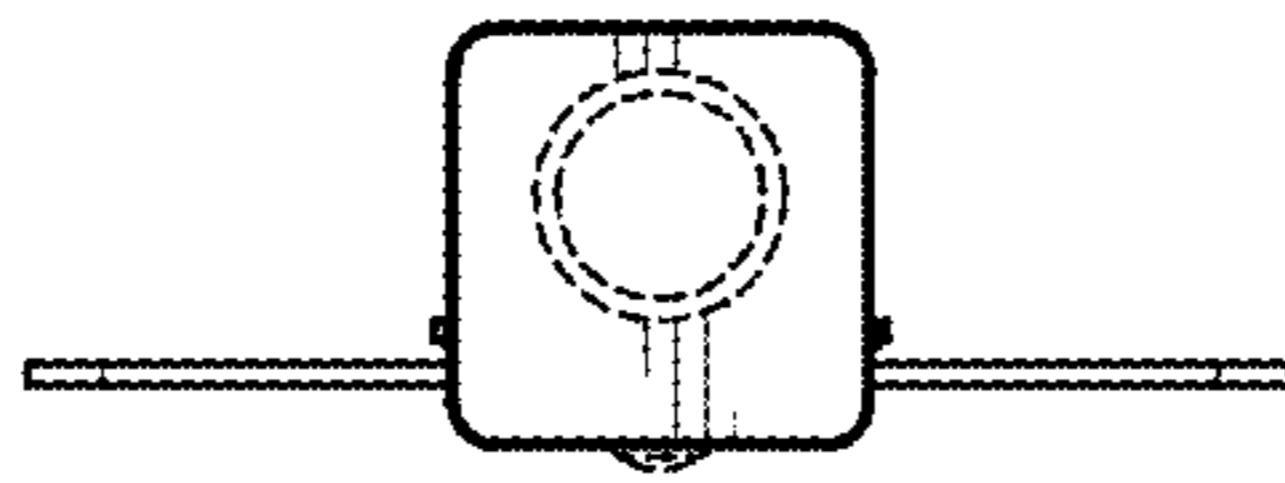


FIG. 13

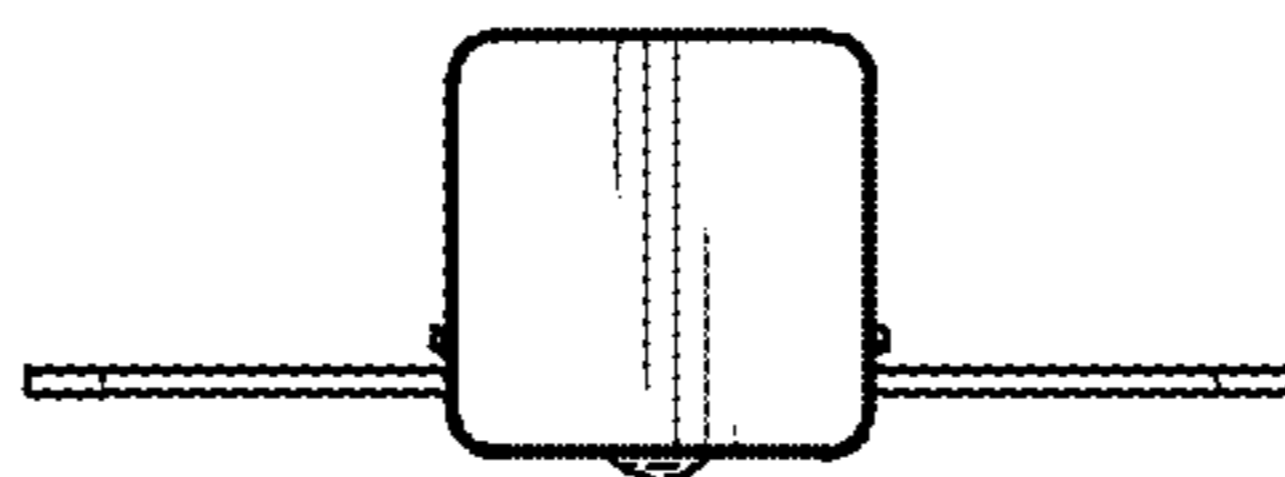


FIG. 14

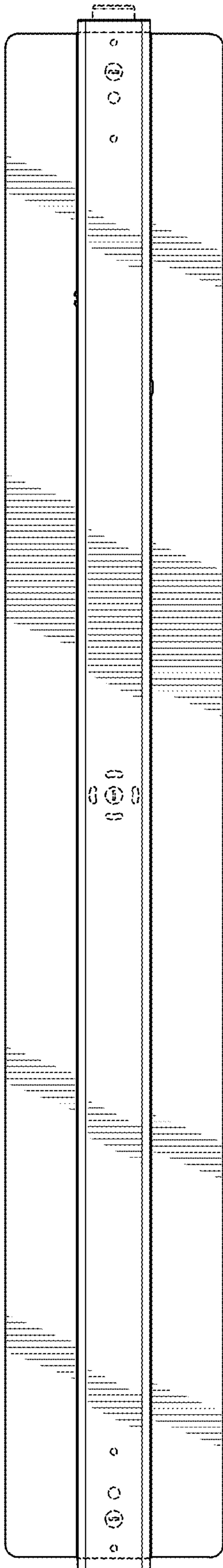


FIG. 15

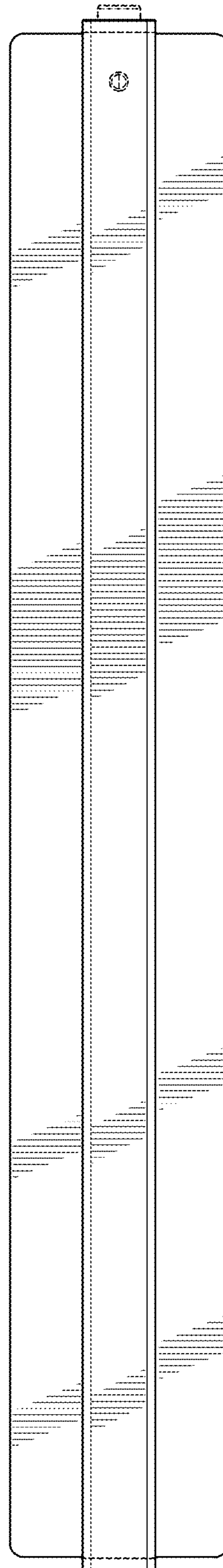


FIG. 16