



US00D977171S

(12) **United States Design Patent** (10) **Patent No.:** **US D977,171 S**
Gao (45) **Date of Patent:** **** Jan. 31, 2023**

(54) **LAMP**

FOREIGN PATENT DOCUMENTS

(71) Applicant: **Mingwei Gao**, Baisha Li Autonomous County (CN)

CN 306483785 * 4/2021

(72) Inventor: **Mingwei Gao**, Baisha Li Autonomous County (CN)

OTHER PUBLICATIONS

(**) Term: **15 Years**

Mies Retired (available online Nov. 26, 2021) Retrieved from the internet Nov. 3, 2022 from URL: <https://www.modernforms.com/product/mies-2/>*

(21) Appl. No.: **29/849,451**

(Continued)

(22) Filed: **Aug. 11, 2022**

Primary Examiner — Richard Kearney

(51) **LOC (14) Cl.** **26-05**

(74) *Attorney, Agent, or Firm* — Daniel M. Cohn; Howard M. Cohn

(52) **U.S. Cl.**

USPC **D26/72**

(58) **Field of Classification Search**

USPC D26/24, 72, 75, 76, 81, 82, 85, 87, 88, D26/89

CPC F21S 8/00; F21S 8/03; F21S 8/033; F21S 8/036; F21S 8/04; F21S 8/043; F21S 8/06; F21S 8/061; F21S 8/063; F21S 8/068; F21S 8/08

See application file for complete search history.

(57) **CLAIM**

The ornamental design for a lamp, as shown and described.

DESCRIPTION

FIG. 1 is a perspective view of a first embodiment of a lamp showing my new design;

FIG. 2 is another perspective view thereof;

FIG. 3 is a front elevational view thereof;

FIG. 4 is a rear elevational view thereof;

FIG. 5 is a left side elevational view thereof;

FIG. 6 is a right side elevational view thereof;

FIG. 7 is a top plan view thereof;

FIG. 8 is a bottom plan view thereof;

FIG. 9 is a perspective view of a second embodiment of the lamp;

FIG. 10 is another perspective view thereof;

FIG. 11 is a front elevational view thereof;

FIG. 12 is a rear elevational view thereof;

FIG. 13 is a left side elevational view thereof;

FIG. 14 is a right side elevational view thereof;

FIG. 15 is a top plan view thereof; and,

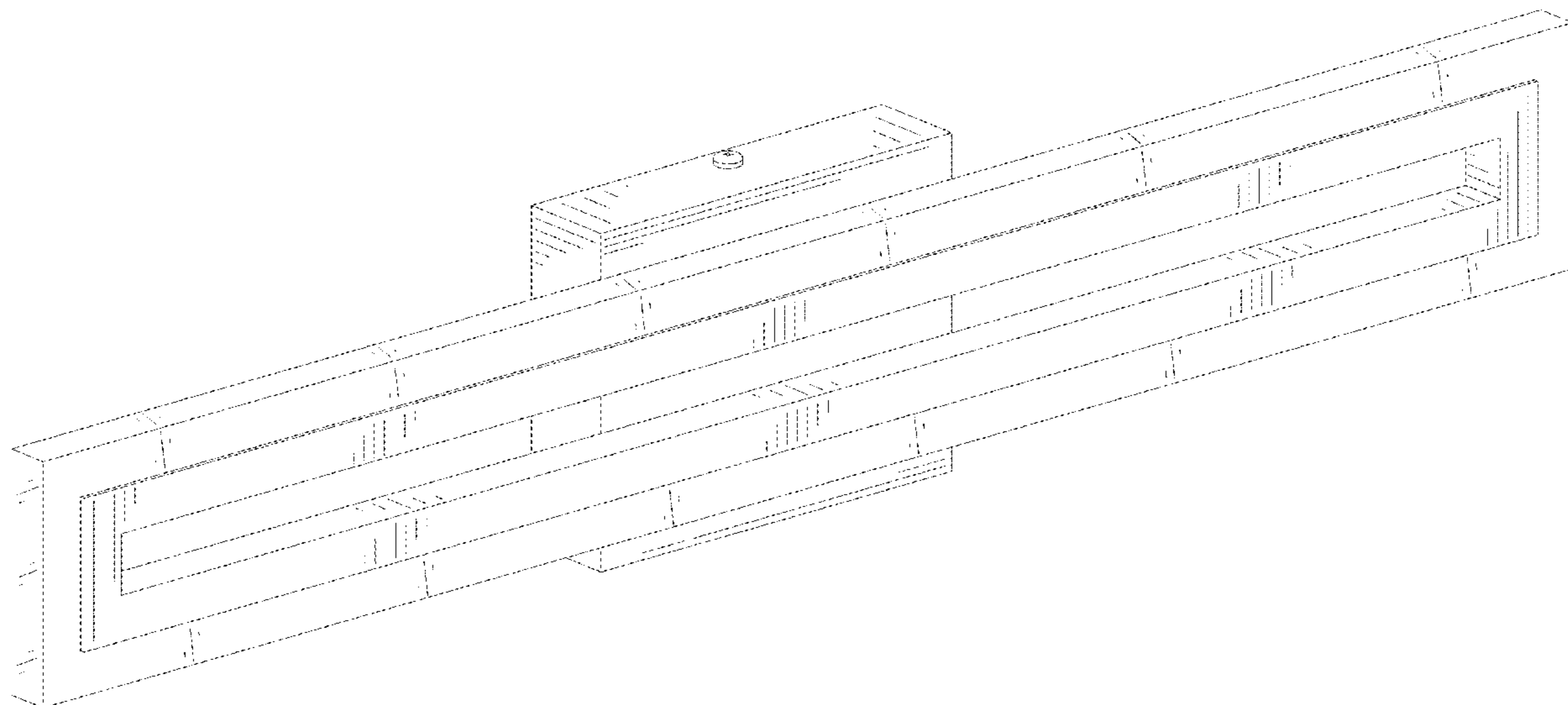
FIG. 16 is a bottom plan view thereof.

(56) **References Cited**

U.S. PATENT DOCUMENTS

D641,906 S *	7/2011	Lee	D26/63
D712,591 S *	9/2014	Sannella	D26/141
D819,860 S *	6/2018	Clark	D26/76
D827,918 S *	9/2018	Botti	D26/106
D848,037 S	5/2019	Rioux et al.		
D864,456 S *	10/2019	Lin	D26/76
D877,963 S *	3/2020	Cinier	D26/106
D887,614 S *	6/2020	Lin	D26/85
D901,747 S	11/2020	Lin		
D912,879 S *	3/2021	Hu	D26/85
D916,354 S *	4/2021	Sánchez González	D26/93
D929,031 S *	8/2021	Sieczkowski	D26/138
D965,200 S *	9/2022	Huang	D26/80
2016/0186939 A1 *	6/2016	Ho	F21V 33/0028 362/101

1 Claim, 16 Drawing Sheets



(56)

References Cited

OTHER PUBLICATIONS

HMies Modern Forms (available online Nov. 26, 2021) Retrieved from the internet Nov. 3, 2022 from URL: <https://web.archive.org/web/20211126235611/https://www.modernforms.com/product/mies-2/>.*

AFX Lighting (available online Mar. 27, 2021) Retrieved from the internet Nov. 3, 2022 from URL: <https://www.1800lighting.com/afx-lighting-zola-13-inch-led-bath-vanity-light-3833400.html>.*

* cited by examiner

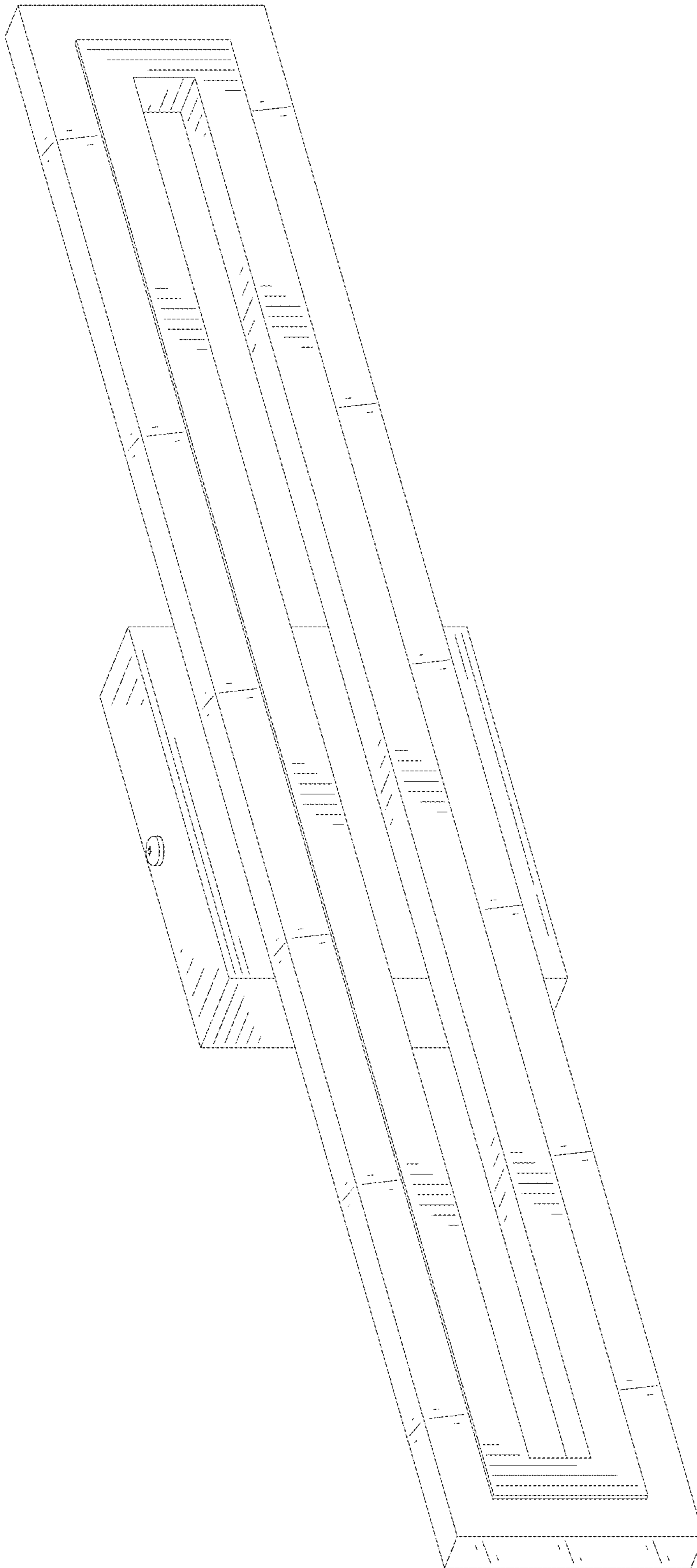


FIG. 1

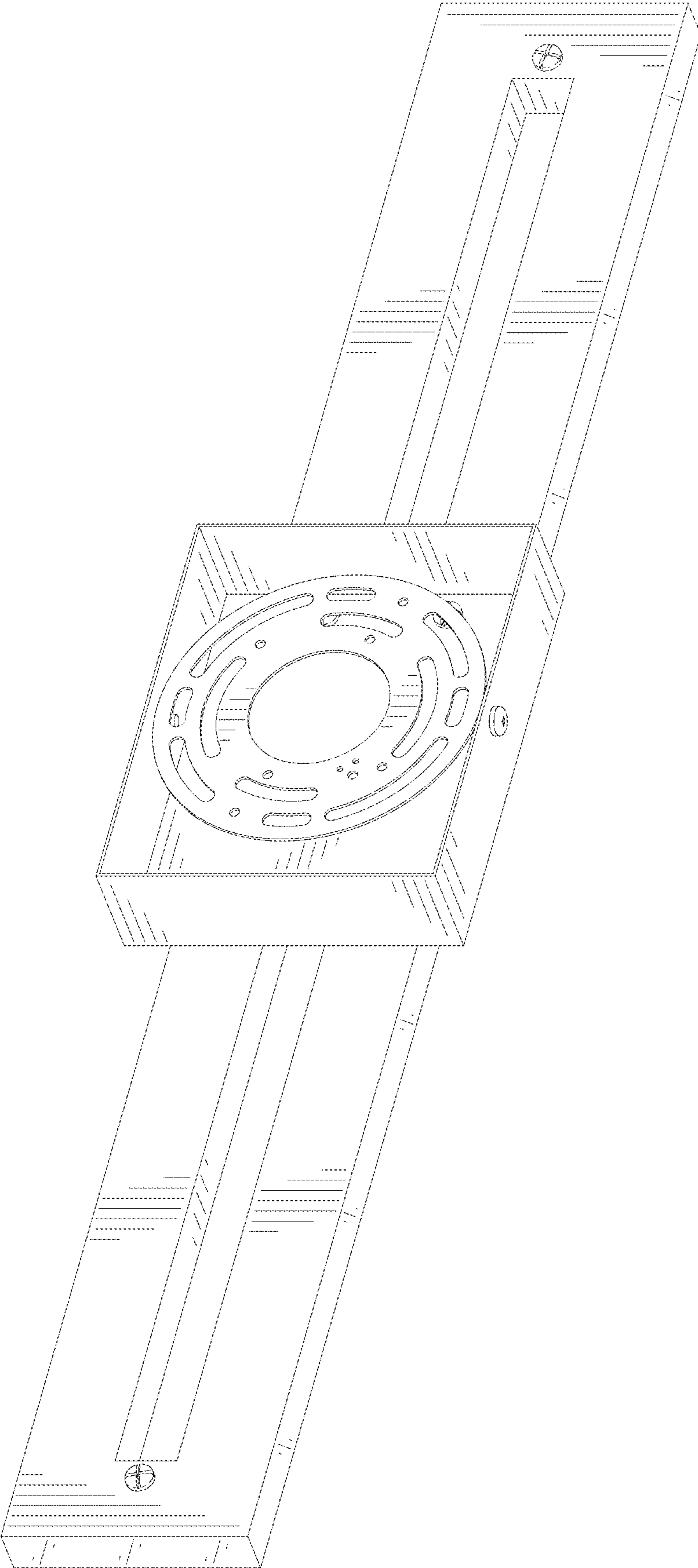


FIG. 2

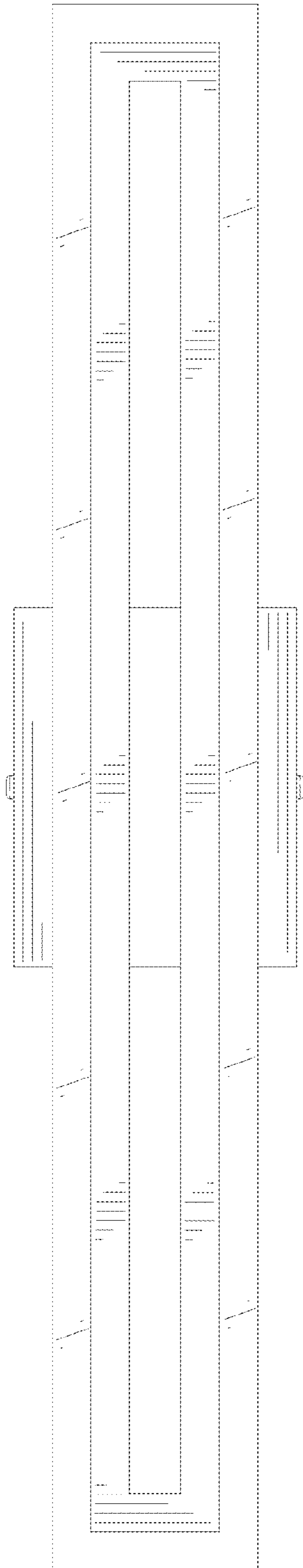


FIG. 3

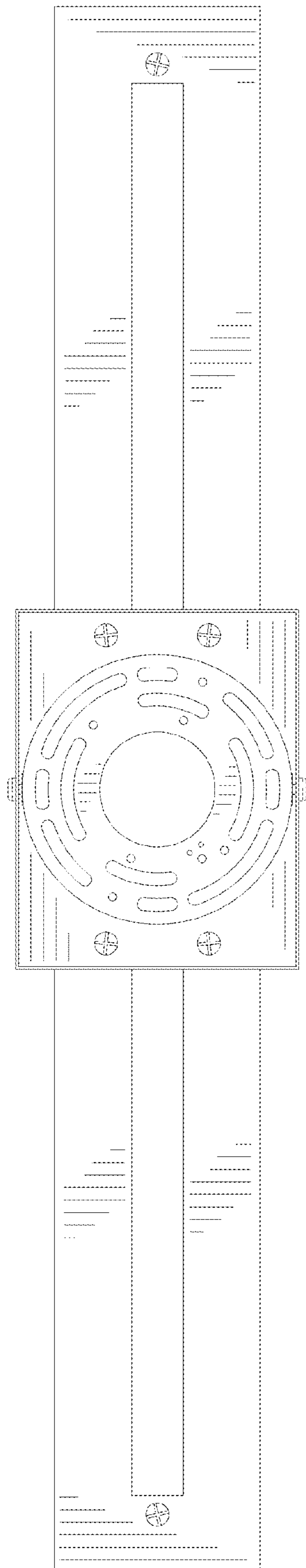


FIG. 4

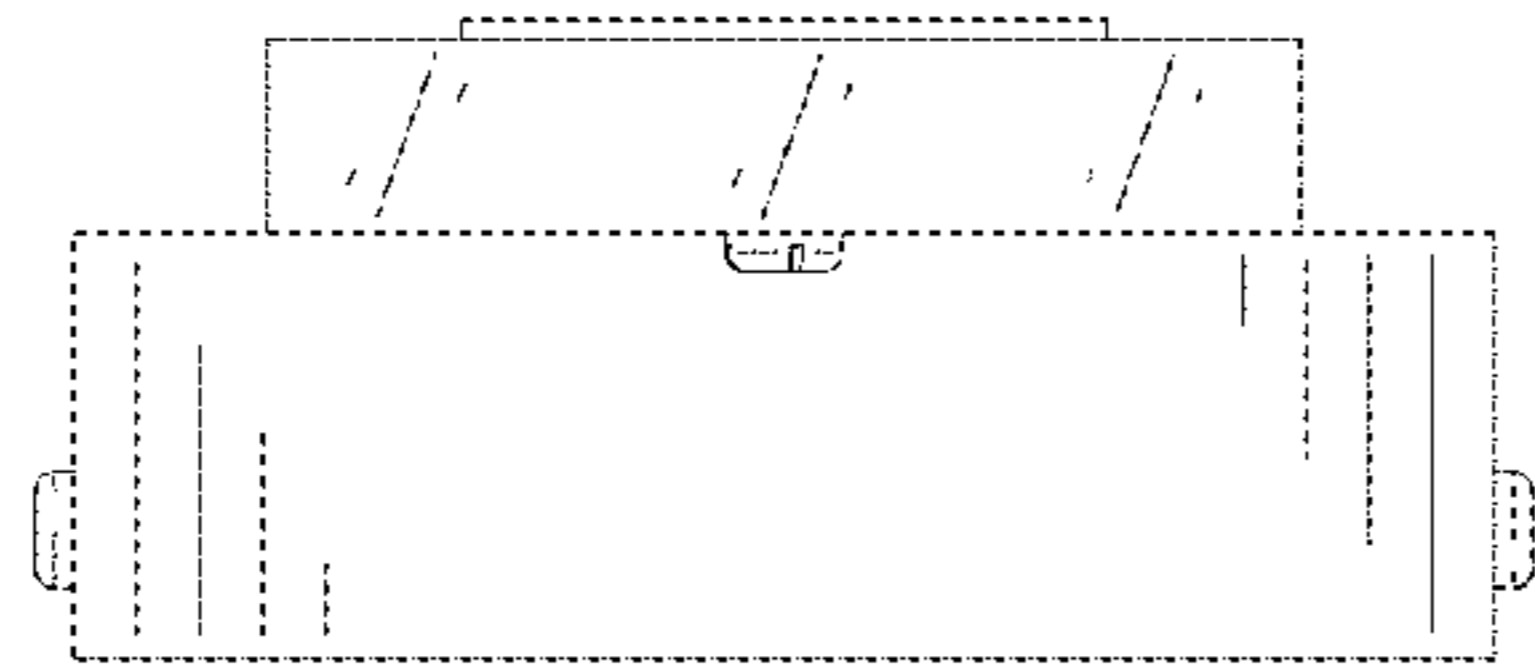


FIG. 5

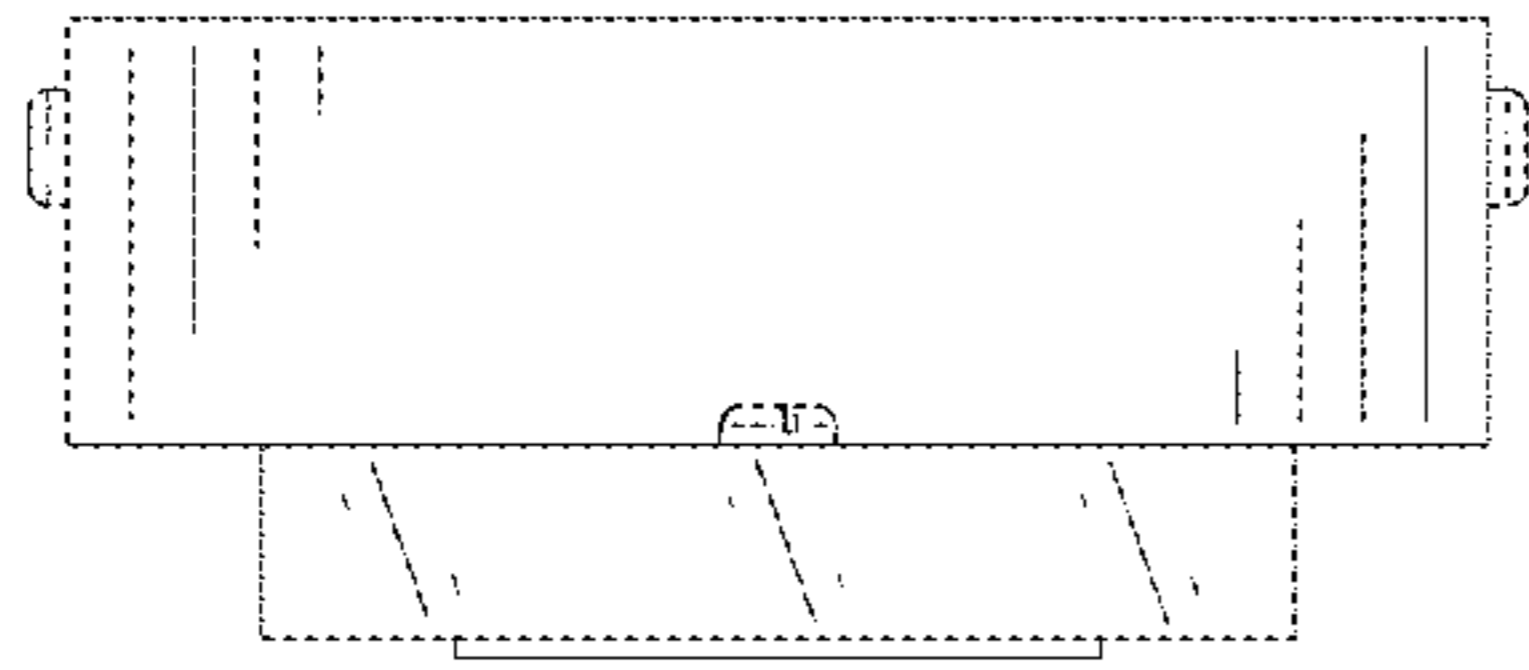


FIG. 6

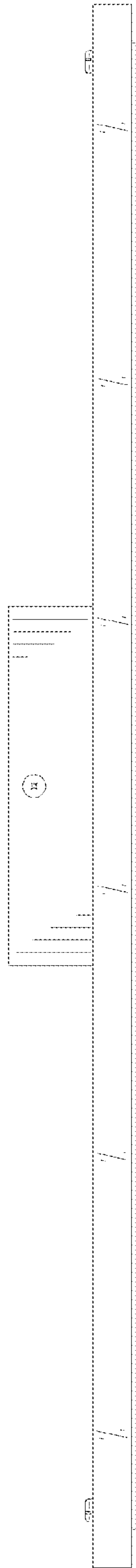


FIG. 7

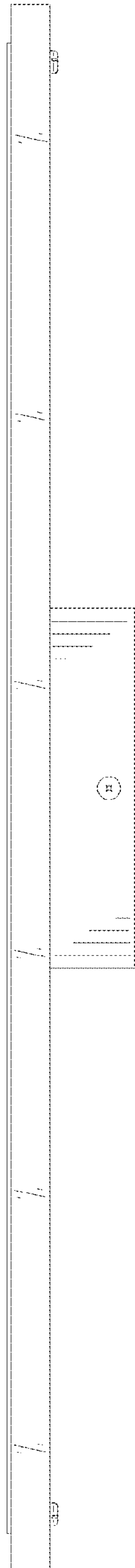


FIG. 8

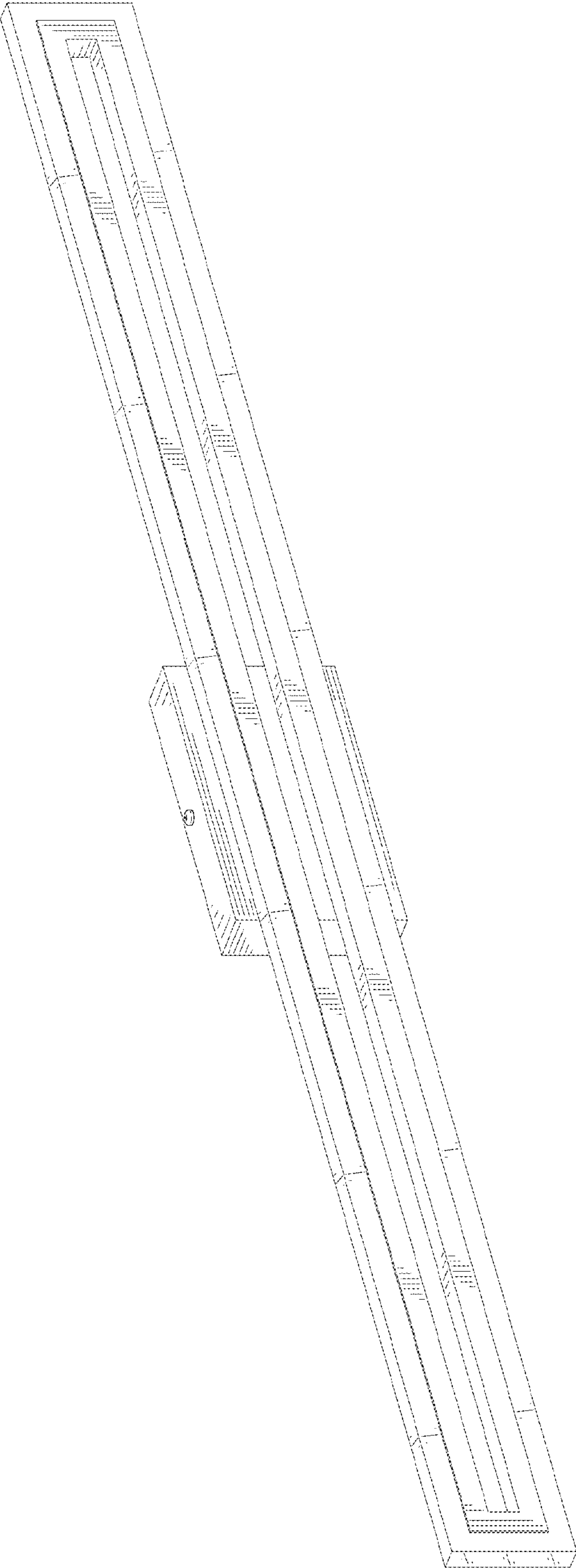


FIG. 9

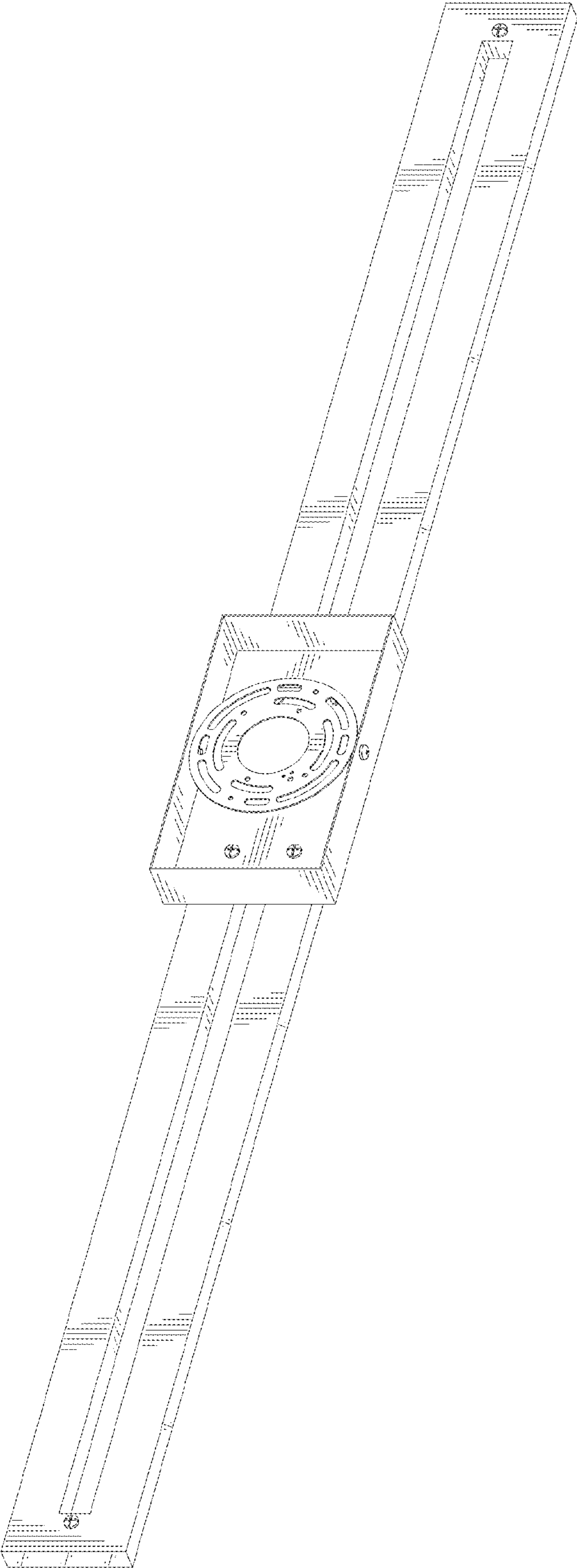


FIG. 10

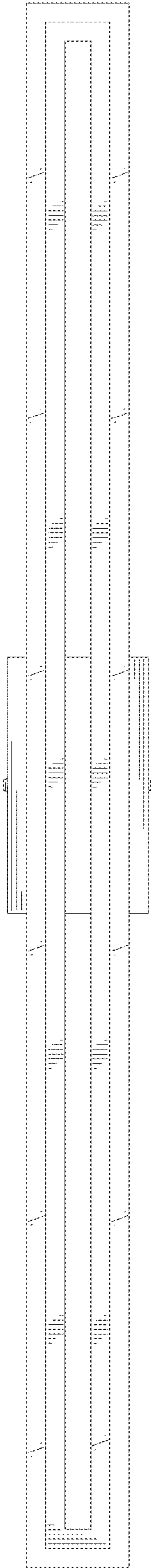


FIG. 11

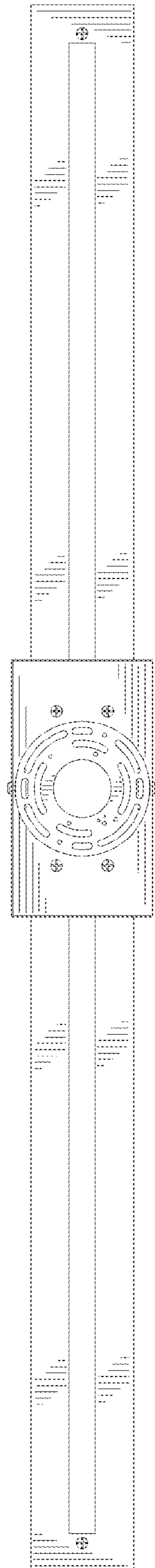


FIG. 12

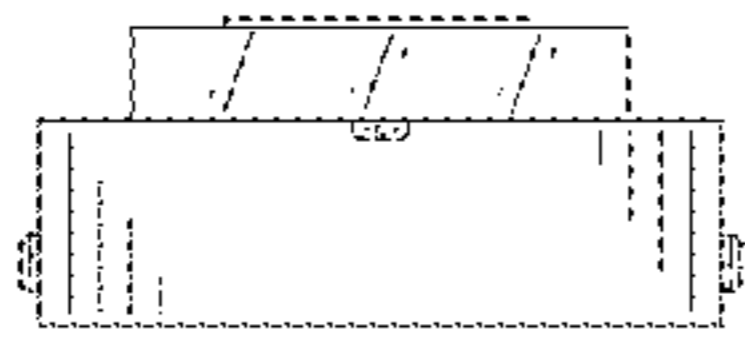


FIG. 13

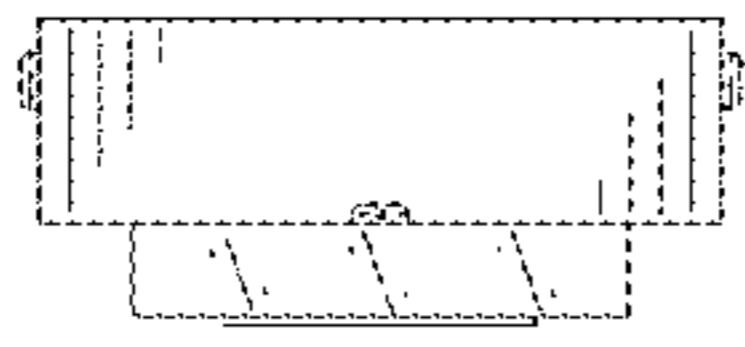


FIG. 14

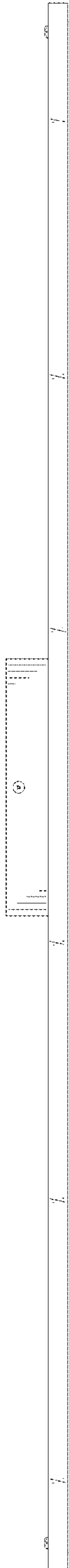


FIG. 15

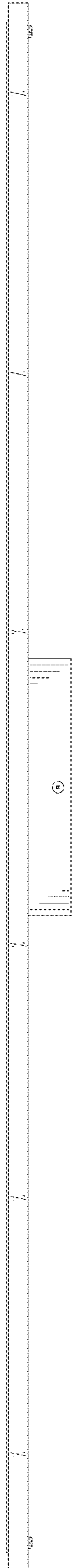


FIG. 16