



US00D977170S

(12) **United States Design Patent**
Chen et al.

(10) **Patent No.:** **US D977,170 S**
(45) **Date of Patent:** **** Jan. 31, 2023**

(54) **LED GROW LIGHT**

- (71) Applicant: **LUMLUX CORP.**, Jiangsu (CN)
- (72) Inventors: **Honghua Chen**, Jiangsu (CN); **Ming Qiu**, Jiangsu (CN); **Yong Deng**, Jiangsu (CN)
- (73) Assignee: **LUMLUX CORP.**, Suzhou (CN)
- (**) Term: **15 Years**
- (21) Appl. No.: **29/806,150**
- (22) Filed: **Sep. 1, 2021**

(30) **Foreign Application Priority Data**

- Jul. 19, 2021 (CN) 202130458757.6
- (51) **LOC (14) Cl.** **26-05**
- (52) **U.S. Cl.**
USPC **D26/72**
- (58) **Field of Classification Search**
USPC D26/13, 24, 25, 72, 75-77, 85, 90
CPC A01G 7/045; F21S 2/00; F21S 4/00; F21S 4/28; F21S 8/00; F21S 8/03; F21S 8/031; F21S 8/036; F21S 8/04; F21S 8/043; F21S 8/06; F21S 8/061
See application file for complete search history.

(56) **References Cited**

U.S. PATENT DOCUMENTS

- D640,817 S * 6/2011 Salessi D26/63
 - D667,968 S * 9/2012 Shin D26/1
- (Continued)

FOREIGN PATENT DOCUMENTS

- EM 008263842-0002 * 11/2020
- EM 008671978-0001 * 9/2021

OTHER PUBLICATIONS

“Mars” reference by Mars Hydro on Amazon.com, first date available Mar. 5, 2019 [online], site visited Jun. 10, 2022, available from internet URL: <https://www.amazon.com/MARS-HYDRO-Coverage-Hydroponic-Spectrum/dp/B0855QW8FK?th=1> (Year: 2019).*

(Continued)

Primary Examiner — Marissa J Cash
Assistant Examiner — Liv C Anderson

(74) *Attorney, Agent, or Firm* — Dragon Sun Law Firm, PC; Jinggao Li; Nathaniel Perkins

(57) **CLAIM**

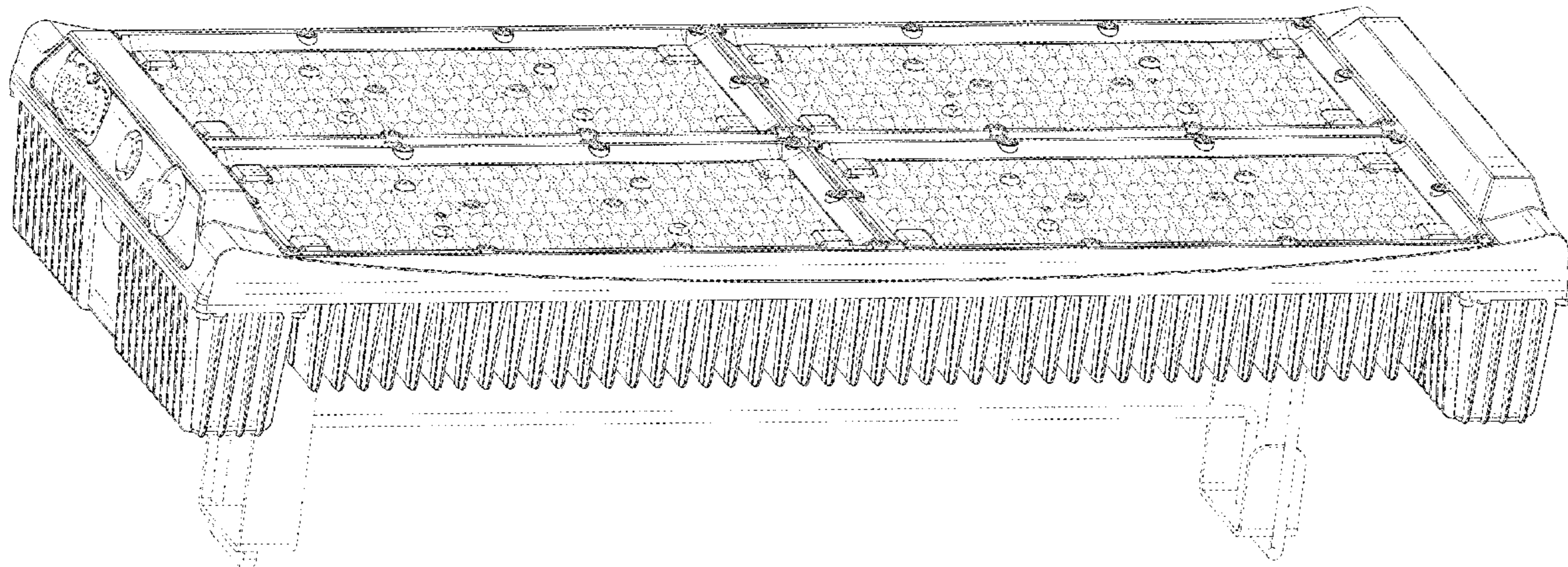
The ornamental design for an LED grow light, as shown and described.

DESCRIPTION

FIG. 1 is a perspective view of an LED grow light showing my new design;
 FIG. 2 is another perspective view thereof;
 FIG. 3 is a front elevation view thereof;
 FIG. 4 is a rear elevation view thereof;
 FIG. 5 is an enlarged left elevation view thereof;
 FIG. 6 is an enlarged right elevation view thereof;
 FIG. 7 is a top plan view thereof;
 FIG. 8 is a bottom plan view thereof;
 FIG. 9 is an enlarged view of the selected portion 9 in FIG. 1;
 FIG. 10 is an enlarged view of the selected portion 10 in FIG. 3;
 FIG. 11 is an enlarged view of the selected portion 11 in FIG. 4; and,
 FIG. 12 is an enlarged view of the selected portion 12 in FIG. 8.

The broken lines shown in the figures depict portions of the LED grow light that form no part of the claimed design. The additional broken lines surrounding the enlarged views in FIGS. 1, 3-4, and 8-12 are for annotative purposes only and form no part of the claim thereof.

1 Claim, 12 Drawing Sheets



(56)

References Cited

U.S. PATENT DOCUMENTS

D761,477 S * 7/2016 Guercio D26/76
D823,530 S * 7/2018 Chen D26/120
D823,532 S * 7/2018 Chen D26/120
D857,273 S * 8/2019 Zou D26/80
D857,979 S * 8/2019 Schweid D26/24
D870,344 S * 12/2019 Chen D26/74
D893,076 S * 8/2020 Liu D26/76
11,032,976 B1 * 6/2021 Cai F21V 3/10
D925,105 S * 7/2021 Johnson D26/118
D934,481 S * 10/2021 Liu D26/76
D936,892 S * 11/2021 Huo D26/120
D944,440 S * 2/2022 Cao D26/76
D945,053 S * 3/2022 Huo D26/120
2017/0027110 A1 * 2/2017 Ito A01G 7/045
2019/0191517 A1 * 6/2019 Adams H05B 47/18

OTHER PUBLICATIONS

“2022” reference by Sayhon on Amazon.com, first date available Sep. 3, 2020 [online], site visited Jun. 10, 2022, available from internet URL: <https://www.amazon.com/Supplement-SAYHON-Coverage-Spectrum-Greenhouse/dp/B08HC8TX1W> (Year: 2020).*

* cited by examiner

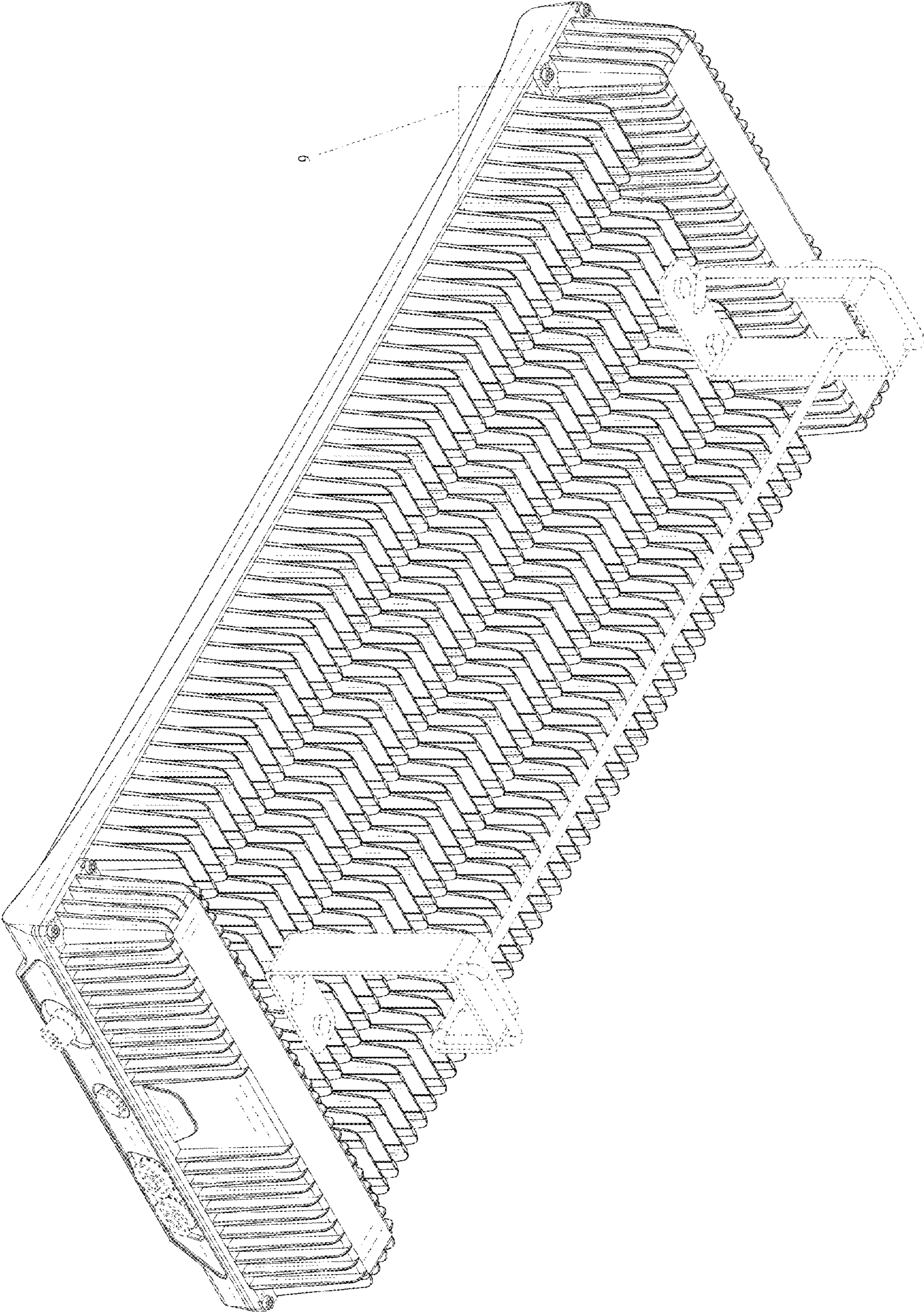


FIG. 1

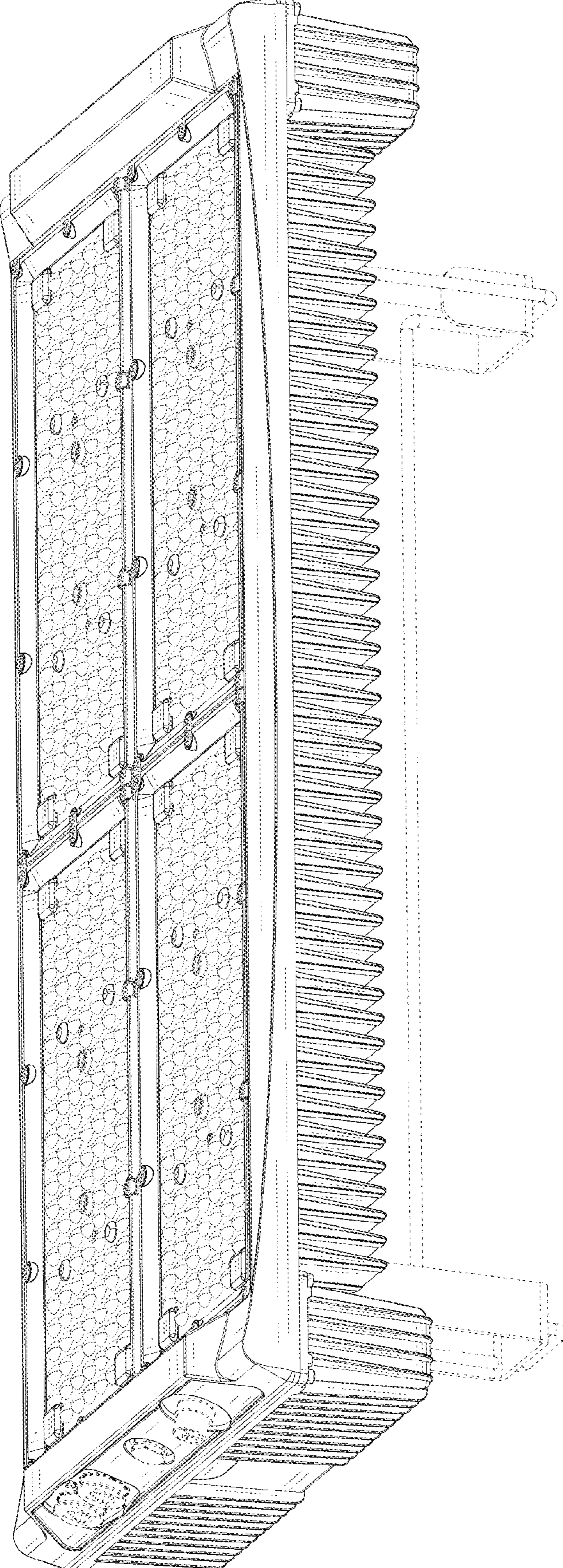


FIG. 2

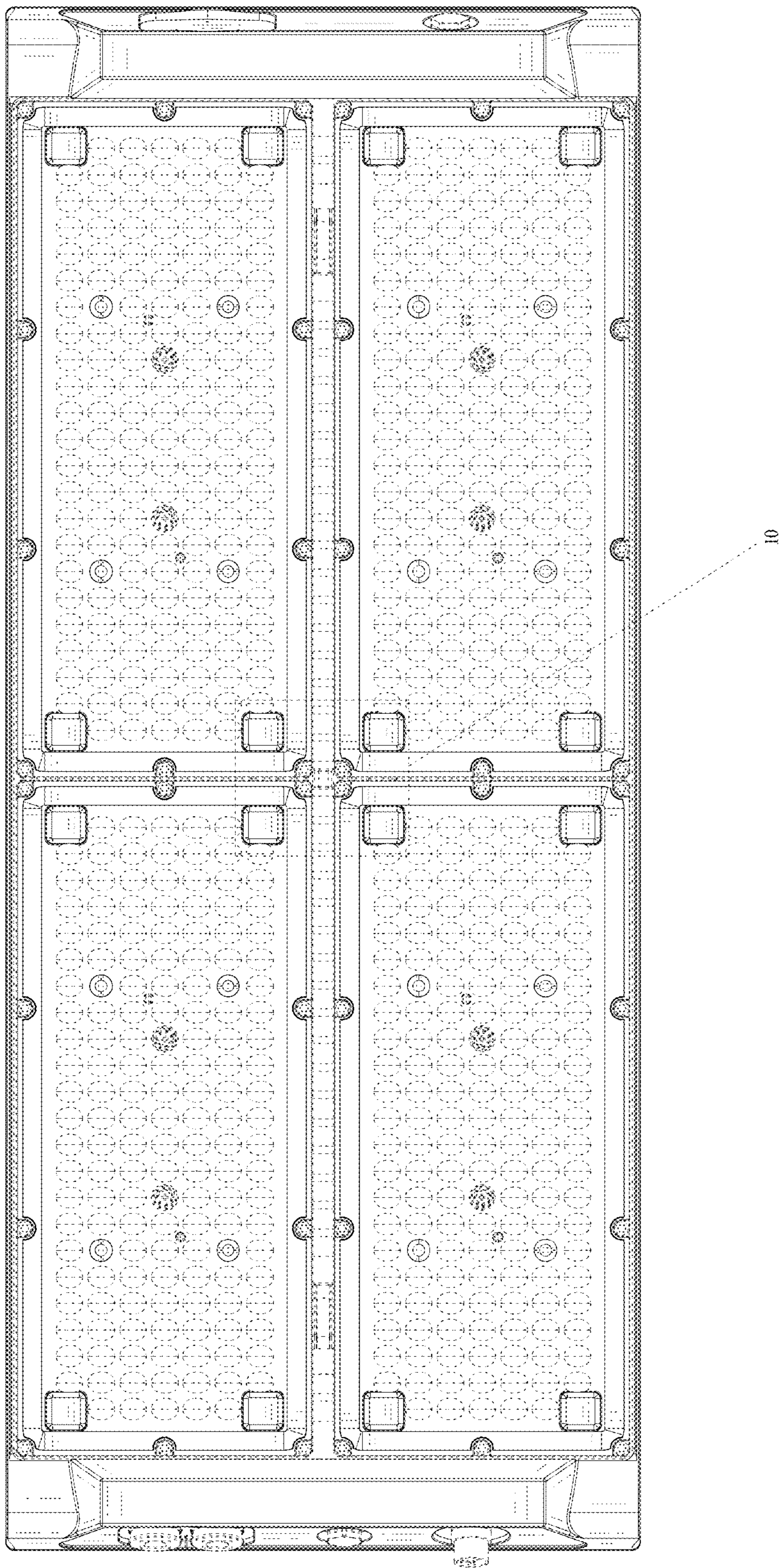


FIG. 3

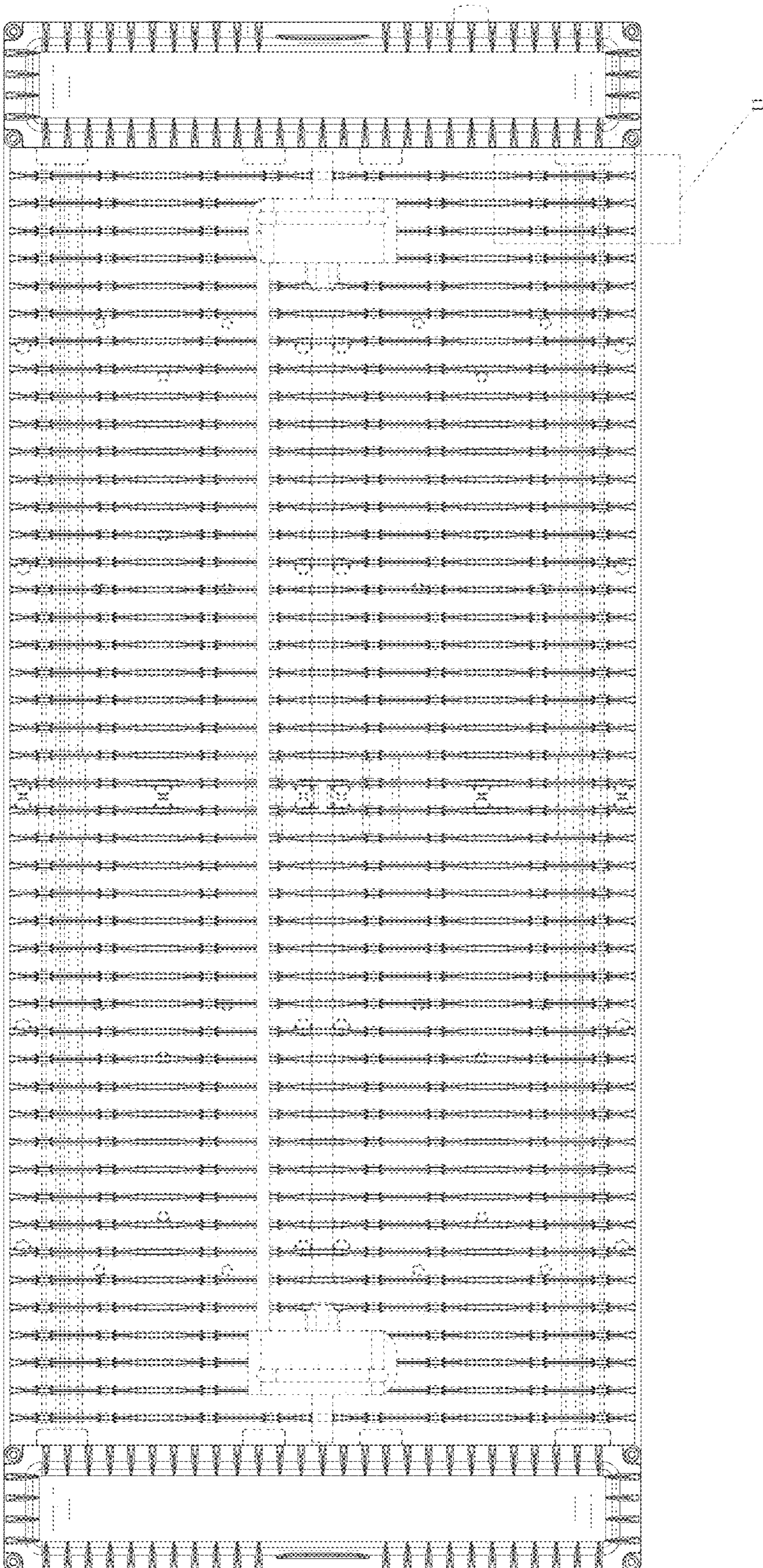


FIG. 4

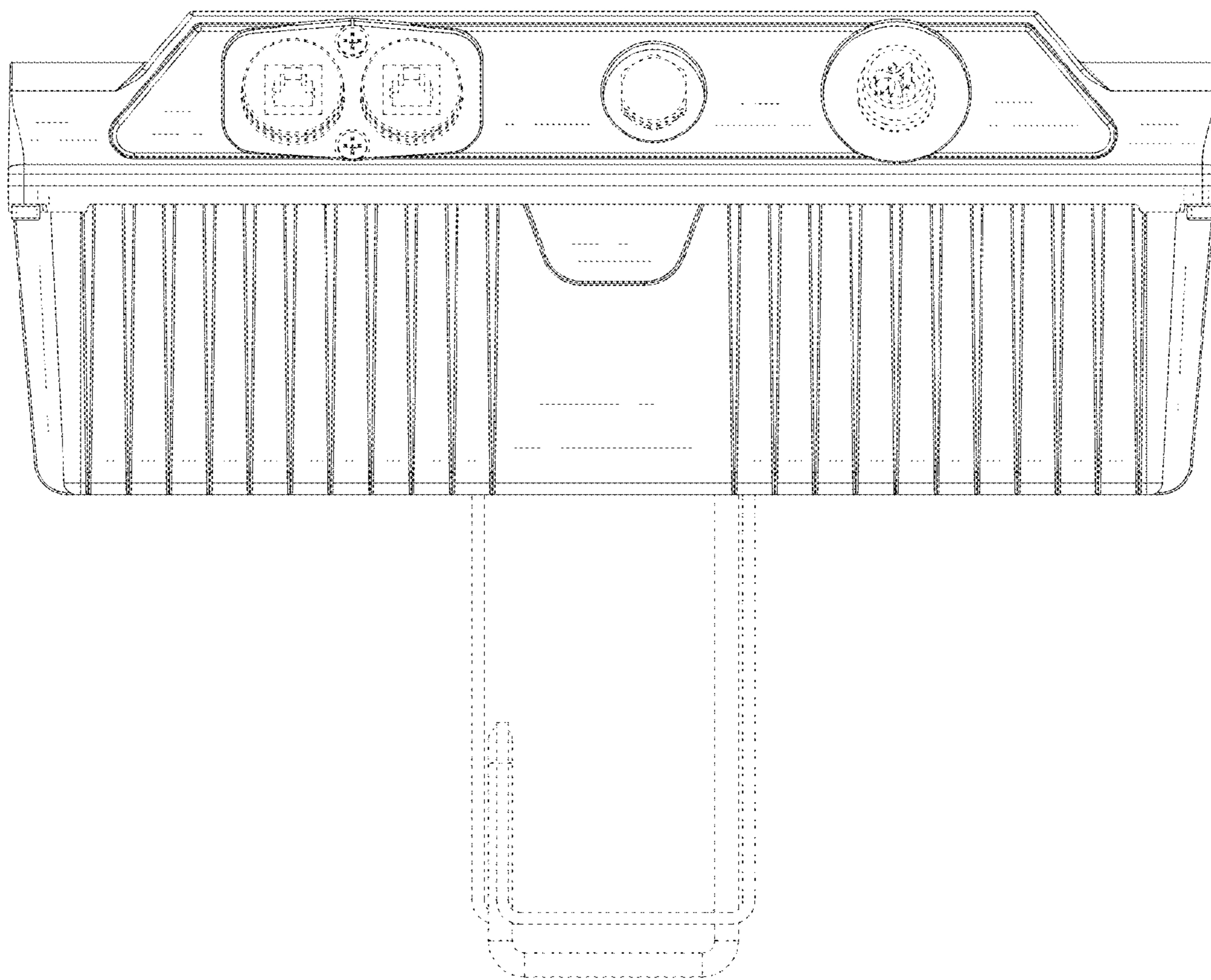


FIG. 5

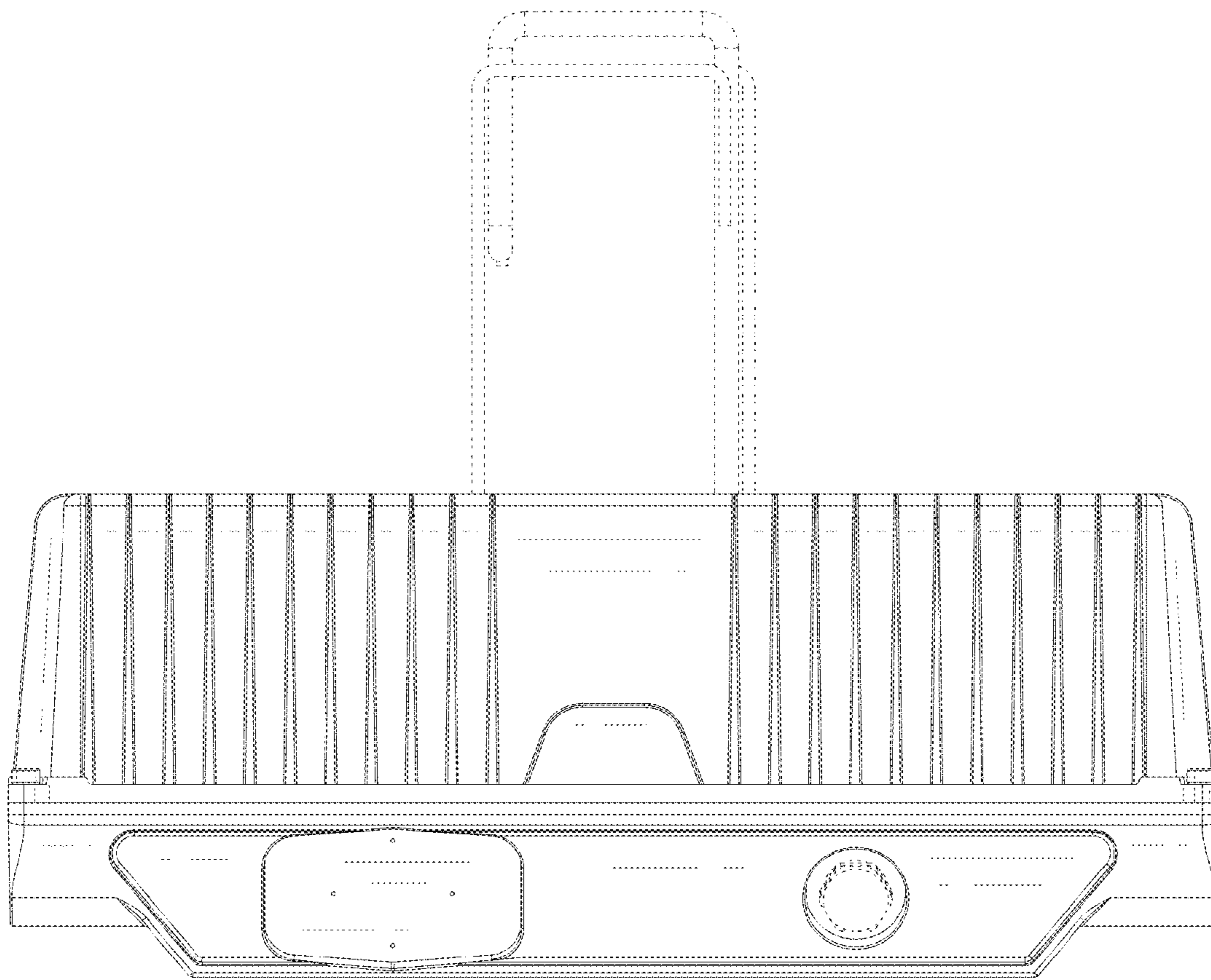


FIG. 6

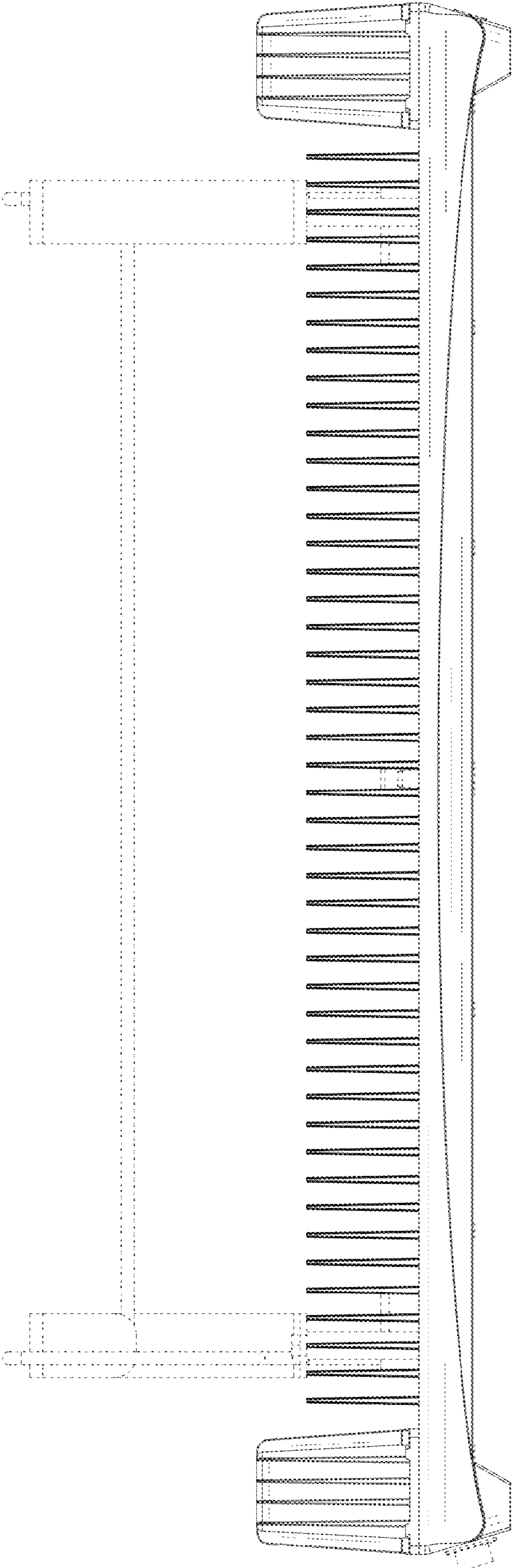


FIG. 7

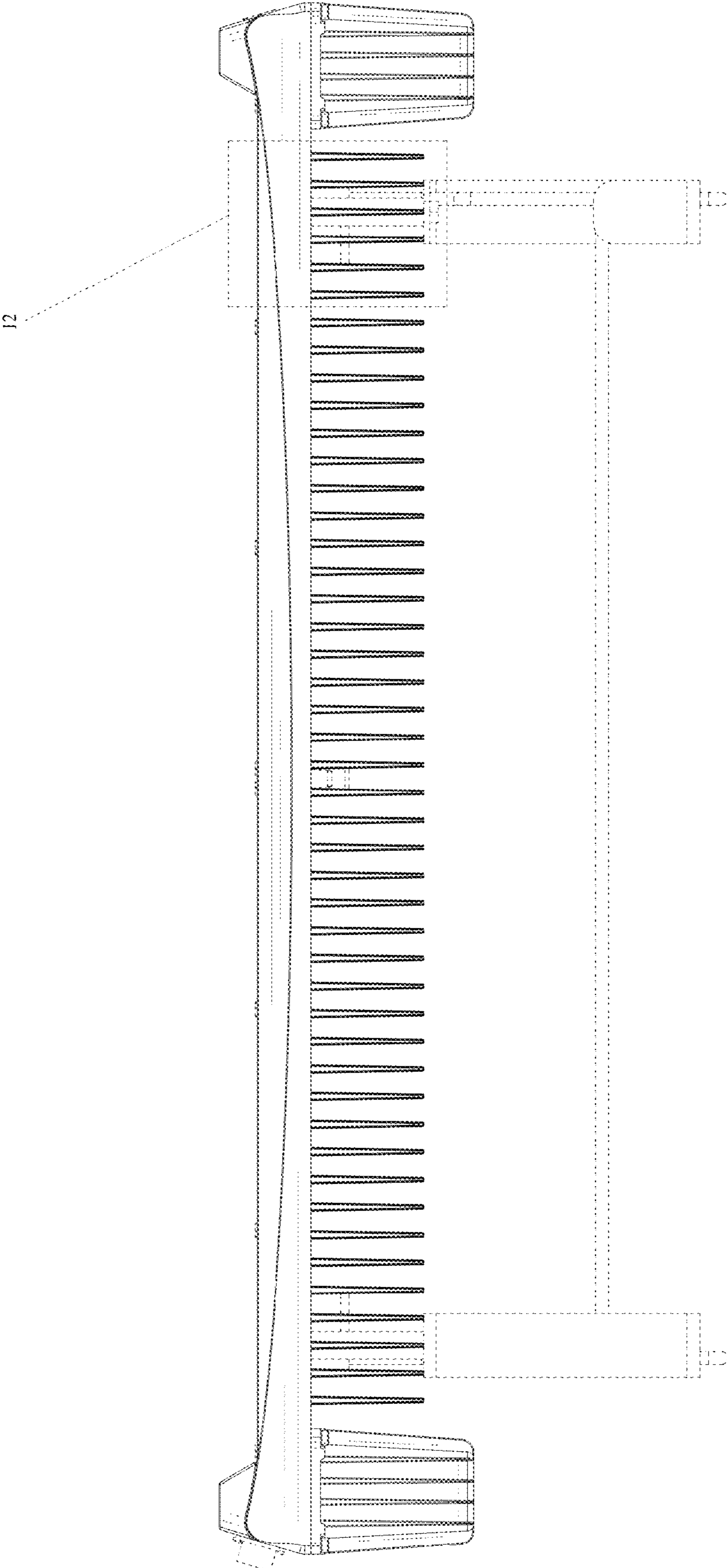


FIG. 8

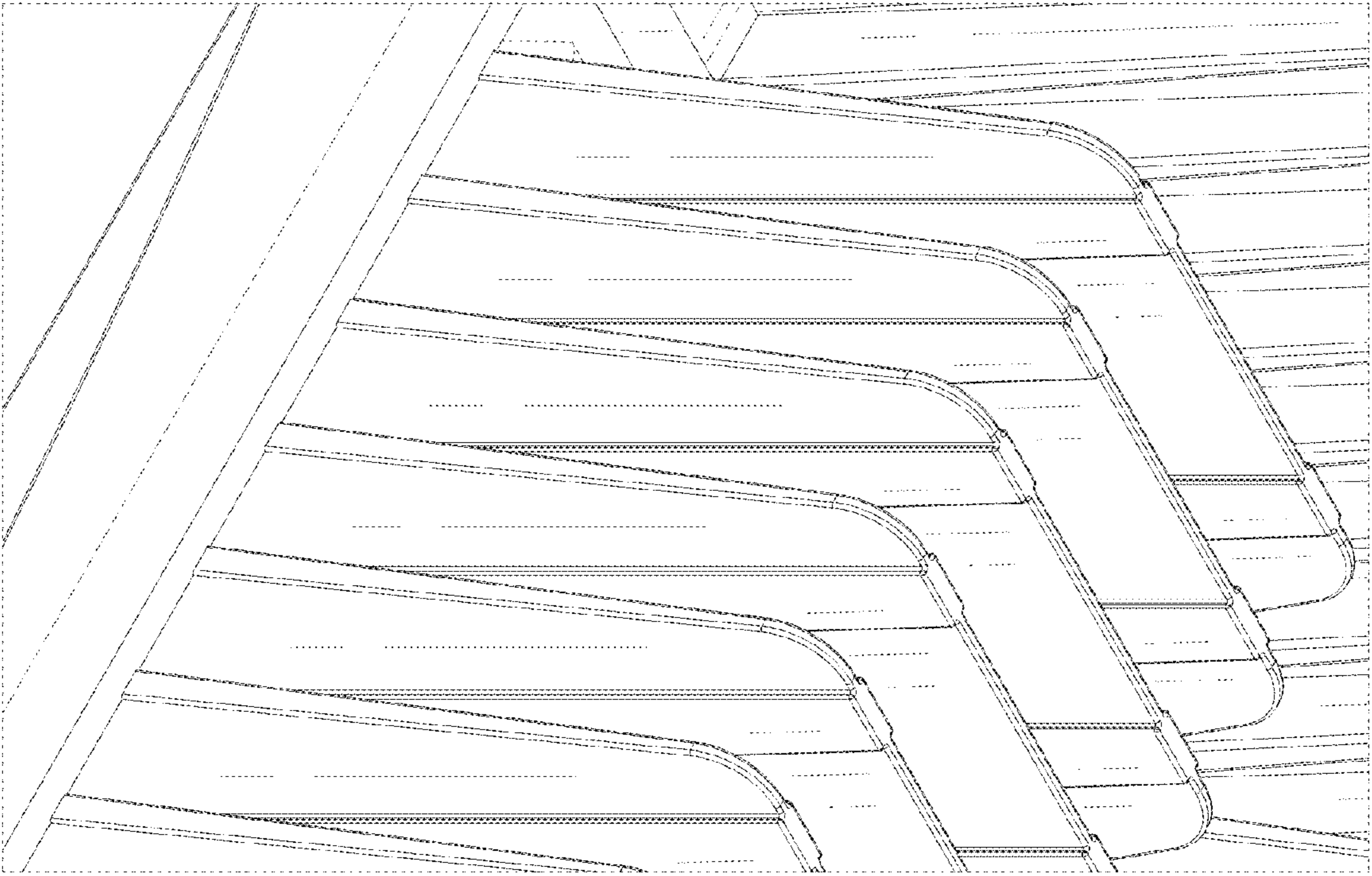


FIG. 9

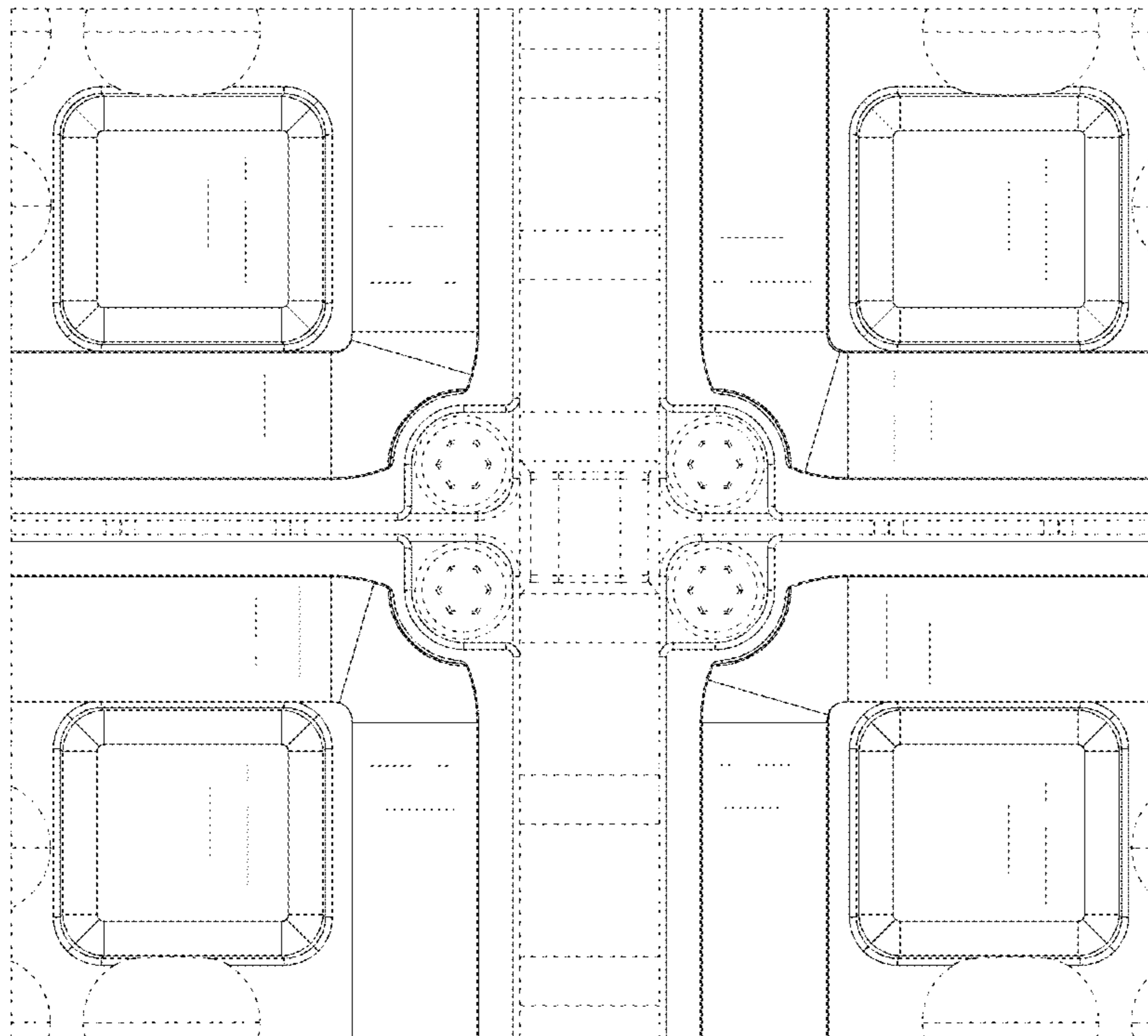


FIG. 10

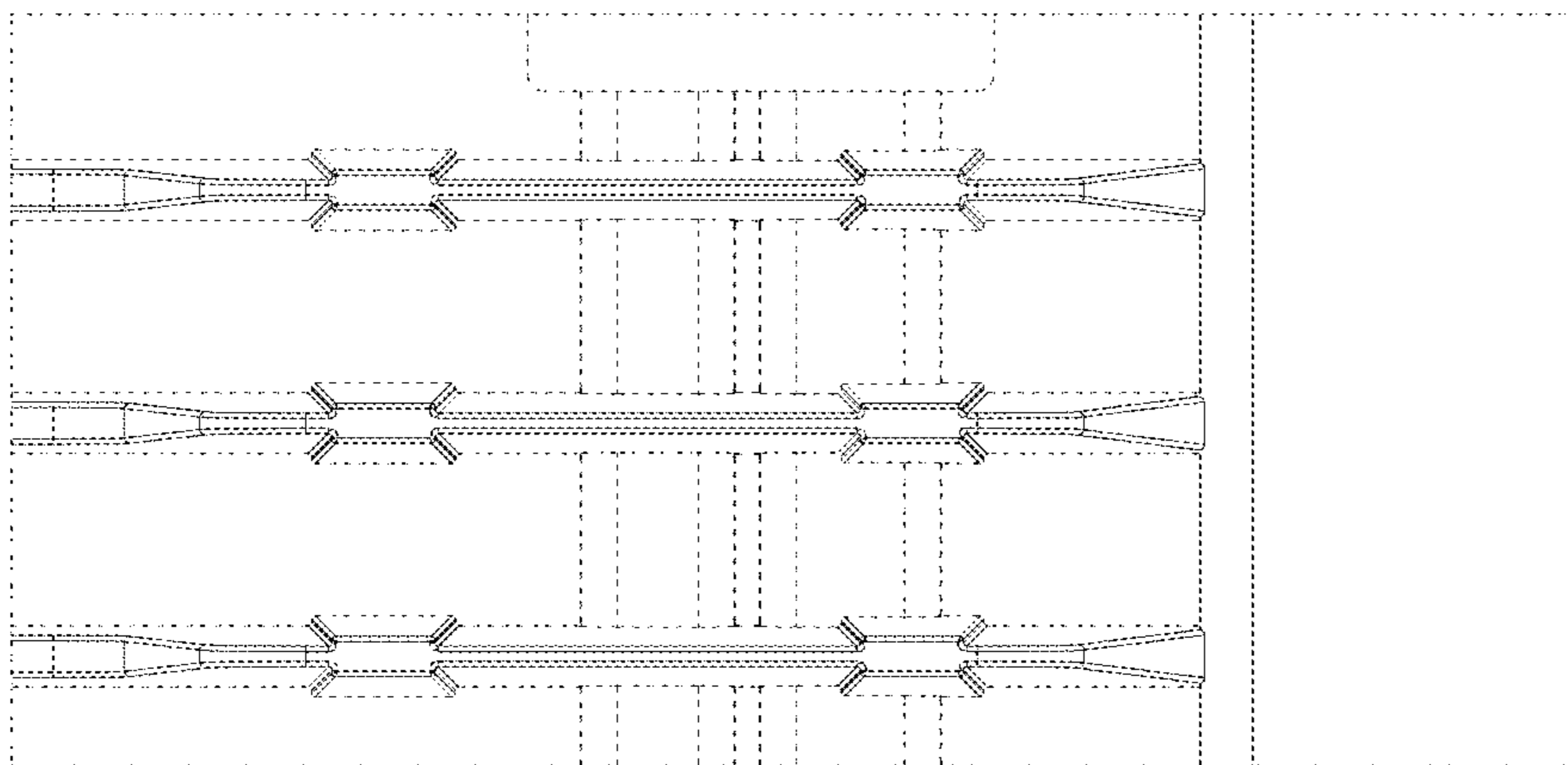


FIG. 11

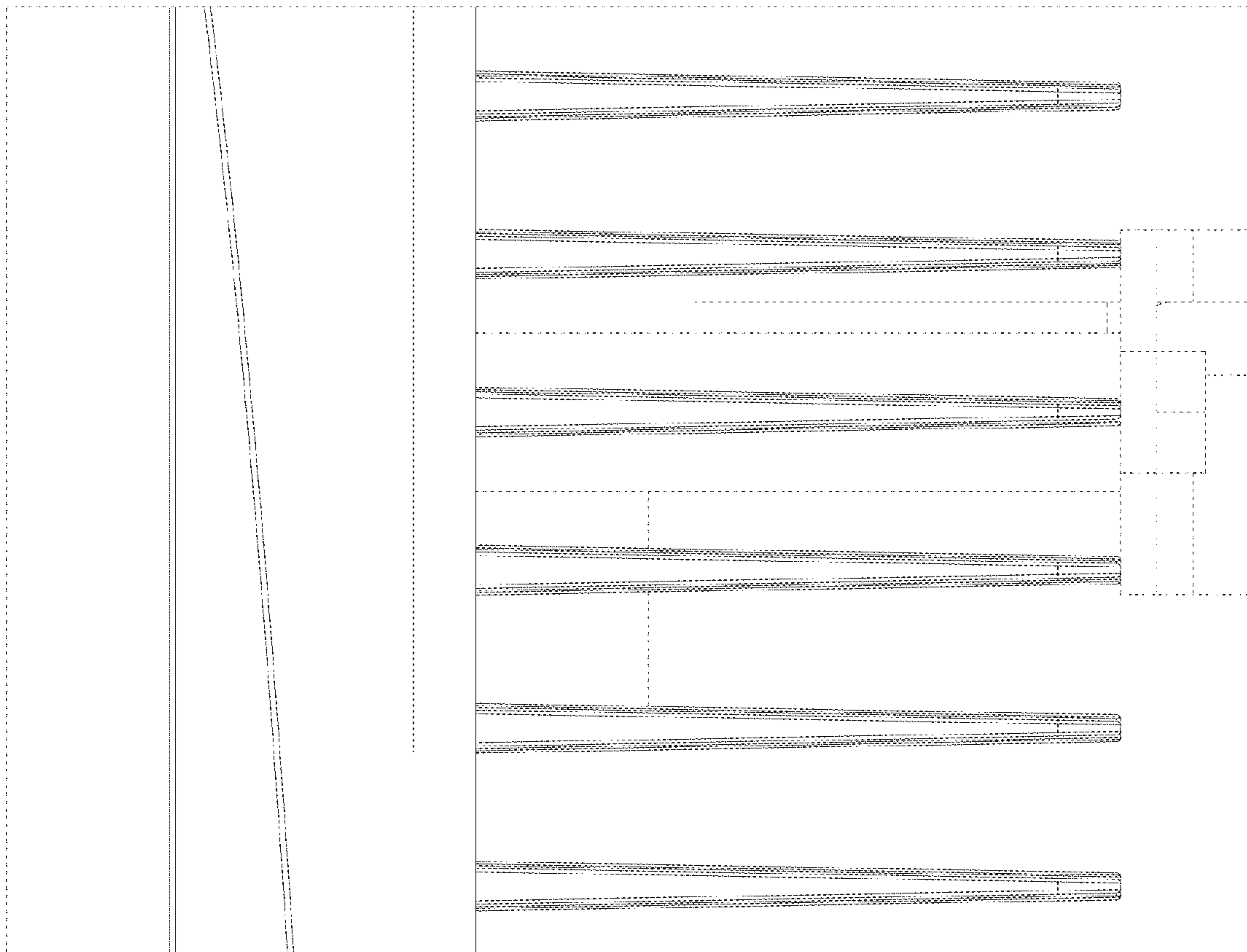


FIG. 12