



US00D977169S

(12) **United States Design Patent**
Kong

(10) **Patent No.:** **US D977,169 S**

(45) **Date of Patent:** **** Jan. 31, 2023**

(54) **SOLAR LIGHT**

(71) Applicant: **ZHONGSHAN XIAOLAN TOWN
YAOSHUOLI LIGHTING
FACTORY, Zhongshan (CN)**

(72) Inventor: **Lingguo Kong, Zhongshan (CN)**

(73) Assignee: **ZHONGSHAN XIAOLAN TOWN
YAOSHUOLI LIGHTING
FACTORY, Zhongshan (CN)**

(**) Term: **15 Years**

(21) Appl. No.: **29/785,043**

(22) Filed: **May 24, 2021**

(51) **LOC (14) Cl.** **26-03**

(52) **U.S. Cl.**
USPC **D26/72; D26/85**

(58) **Field of Classification Search**
USPC D26/72, 85
CPC F21S 8/03; F21S 8/033; F21S 8/036; F21S
8/037; F21S 9/022; F21S 9/024; F21S
9/03; F21S 9/035; F21S 9/037; F21W
2131/107
See application file for complete search history.

(56) **References Cited**

U.S. PATENT DOCUMENTS

D811,644 S *	2/2018	Hou	D26/85
D822,874 S *	7/2018	Hu	D26/85
D849,988 S *	5/2019	Li	D26/85
D866,842 S *	11/2019	Wang	D26/85
D882,147 S *	4/2020	He	D26/85

D893,079 S *	8/2020	Zhang	D26/85
D928,382 S *	8/2021	Lin	D26/85
D939,752 S *	12/2021	Luo	D26/85
D956,309 S *	6/2022	Yan	D26/85
2017/0321877 A1 *	11/2017	Polidoro	A61L 9/20

OTHER PUBLICATIONS

Reayos Outdoor Motion Sensor Lights, ASIN: B09YHB14G9. Available from amazon.com Apr. 26, 2022. (Year: 2022).*
Aigostar Outdoor Motion Sensor Security Light, ASIN: B08SLMSL97. Available from amazon.com Jul. 28, 2021. (Year: 2021).*
Otdair Outdoor Solar Light, ASIN: B09P1JG7GN. Available from amazon.com Dec. 22, 2021. (Year: 2021).*

* cited by examiner

Primary Examiner — Clare E Heflin

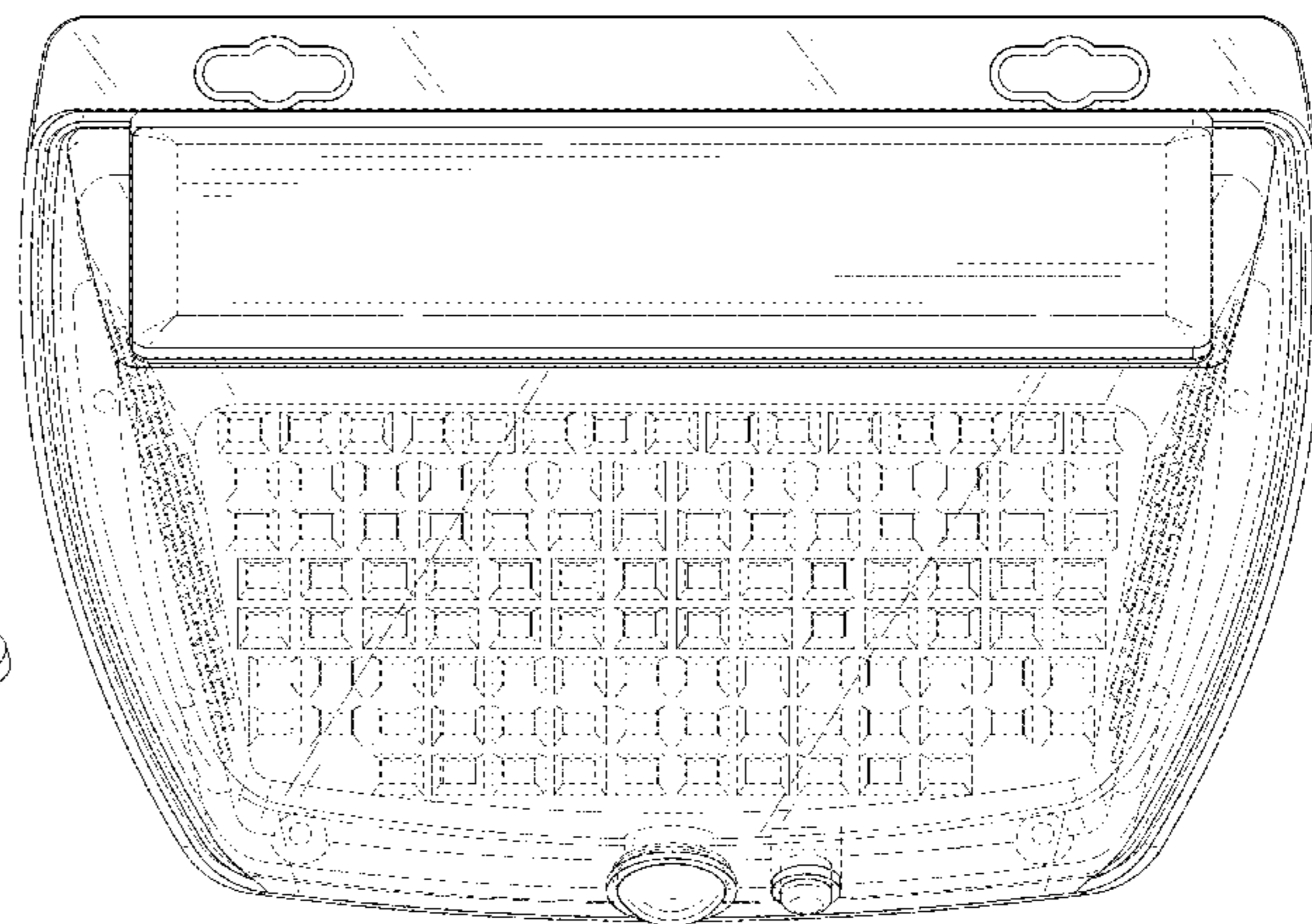
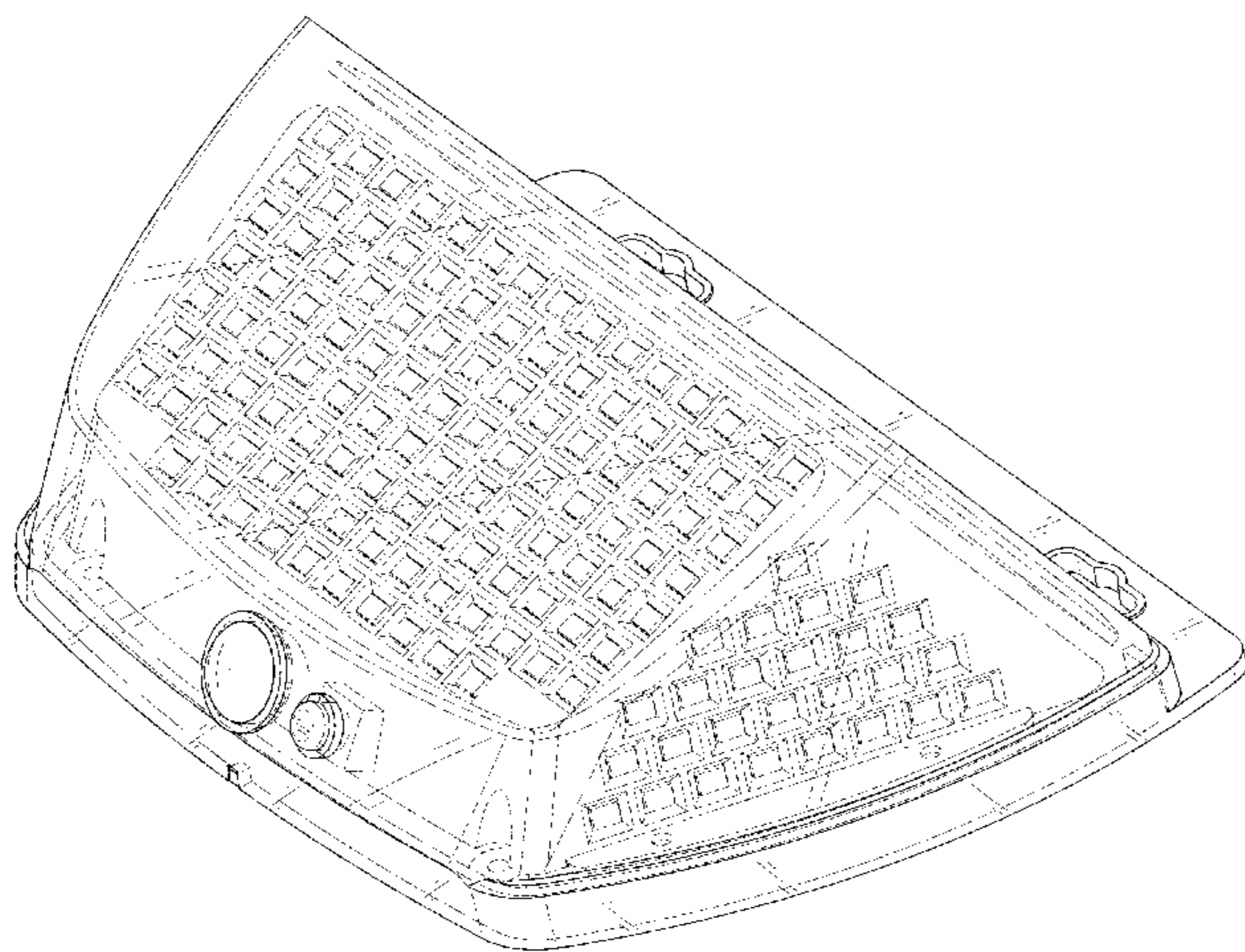
(57) **CLAIM**

The ornamental design for a solar light, as shown and described.

DESCRIPTION

FIG. 1 is a perspective view of a solar light showing my new design;
FIG. 2 is another perspective view thereof;
FIG. 3 is a bottom plan view thereof;
FIG. 4 is a top plan view thereof;
FIG. 5 is a right side elevation view thereof;
FIG. 6 is a left side elevation view thereof;
FIG. 7 is a front elevation view thereof; and,
FIG. 8 is a rear elevation view thereof.
The broken lines in the drawings depict portions of the solar light that form no part of the claimed design.

1 Claim, 8 Drawing Sheets



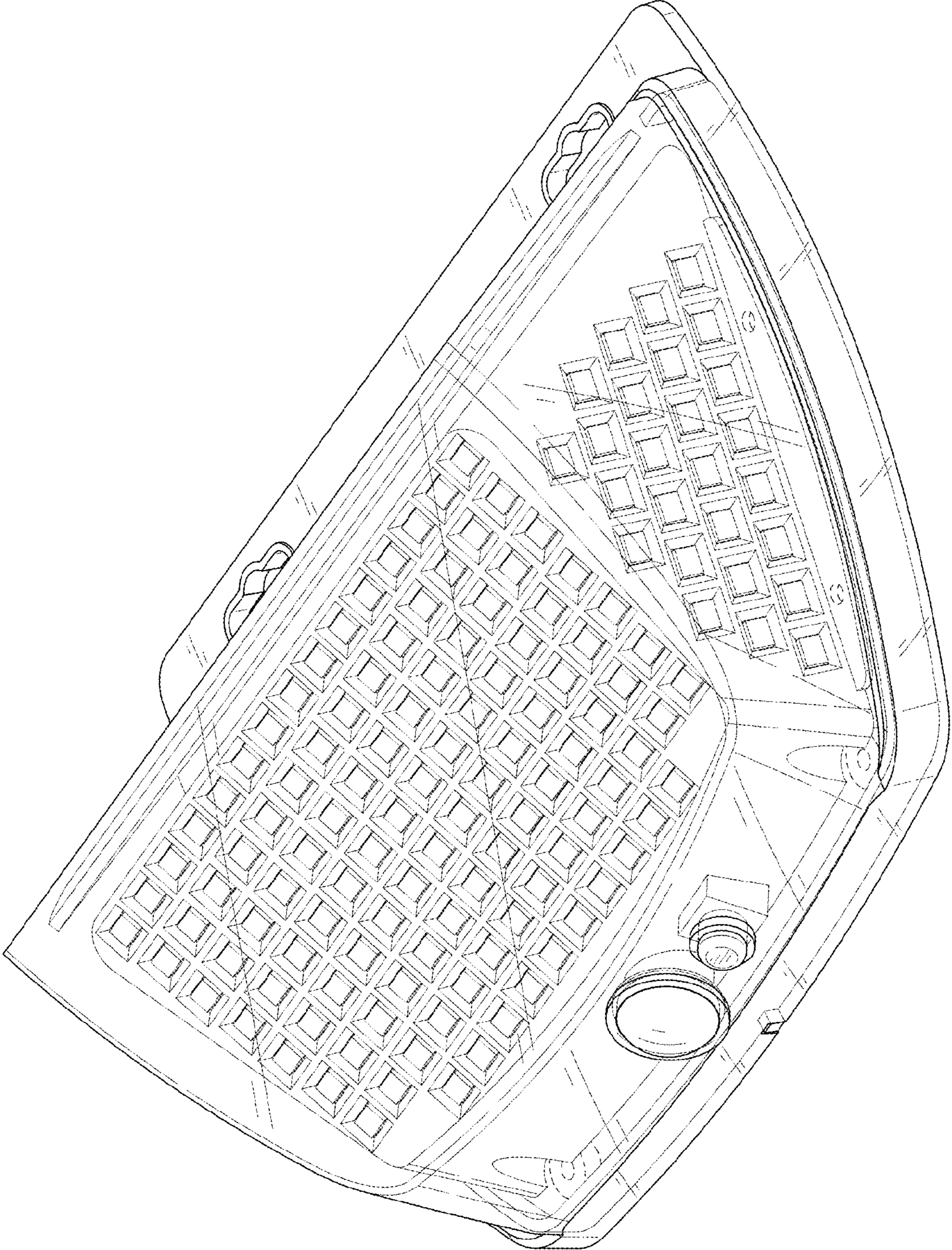


FIG. 1

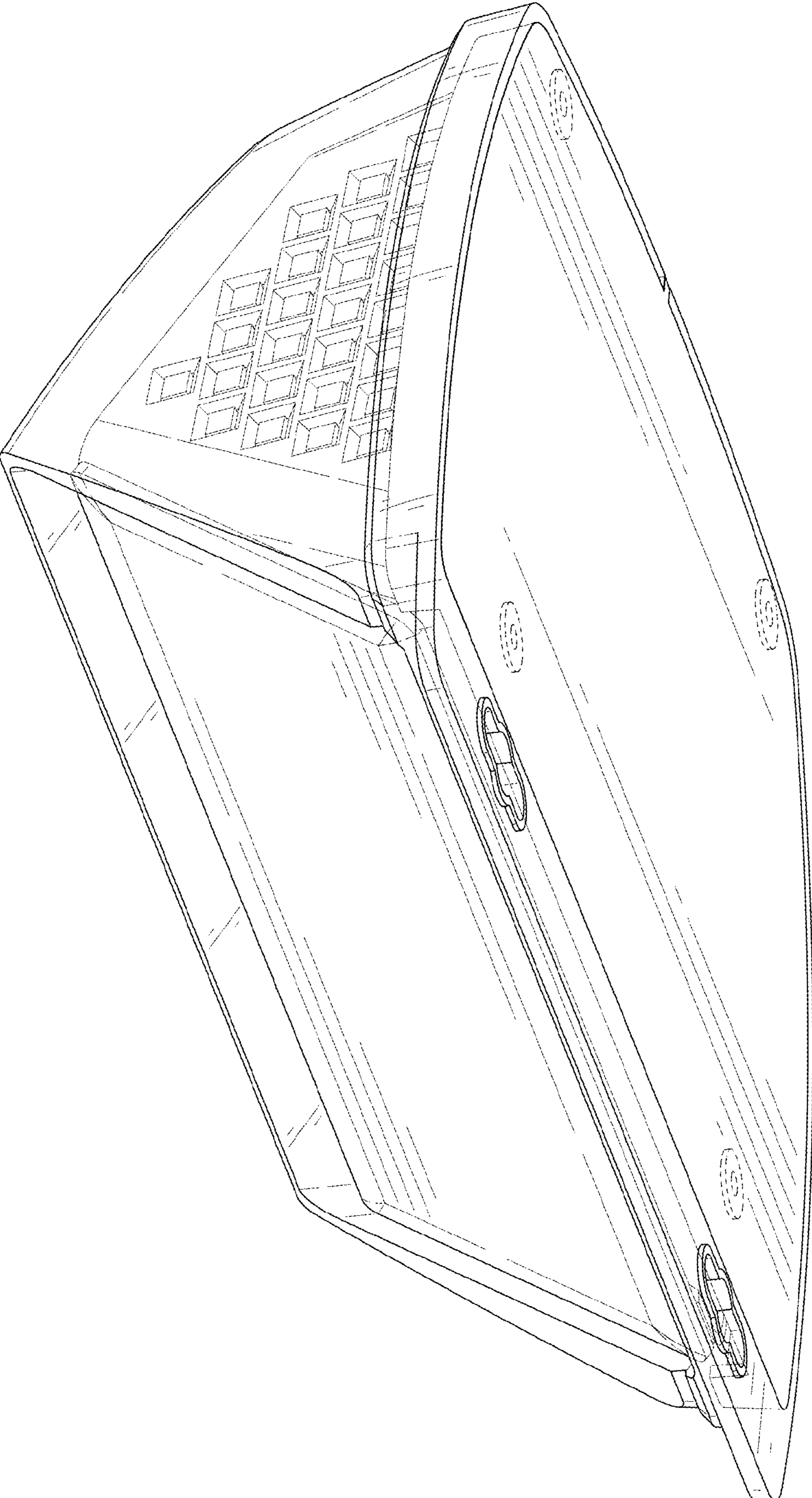


FIG. 2

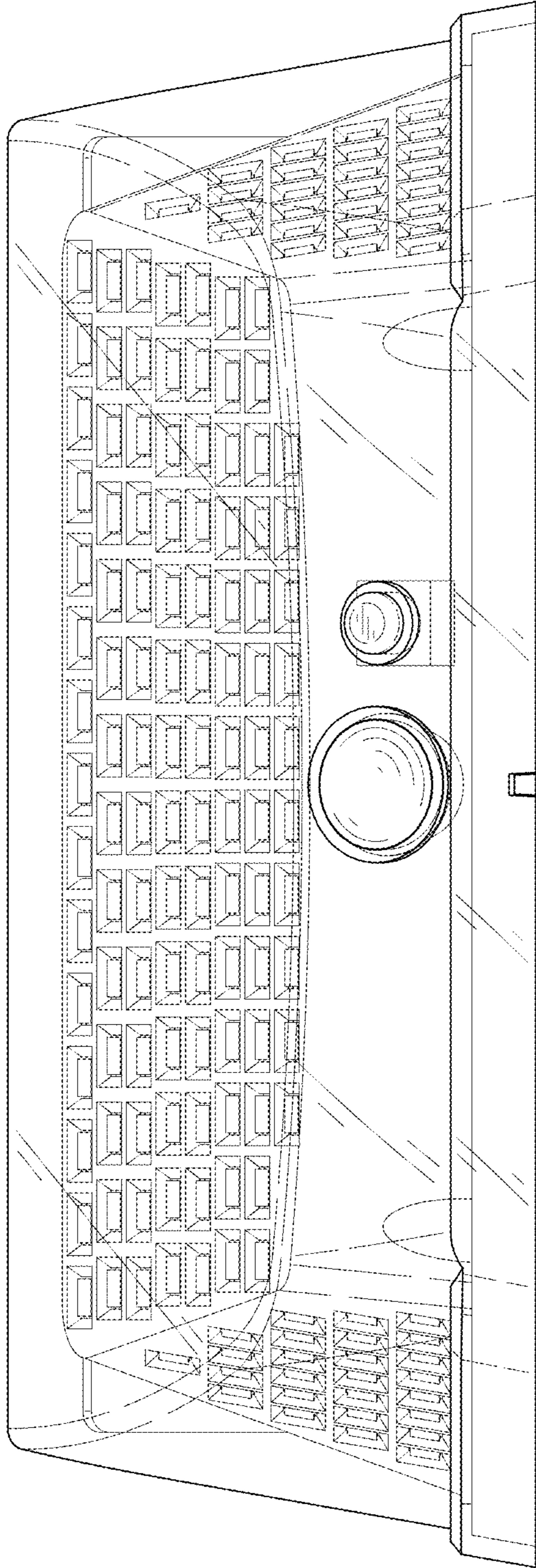


FIG. 3

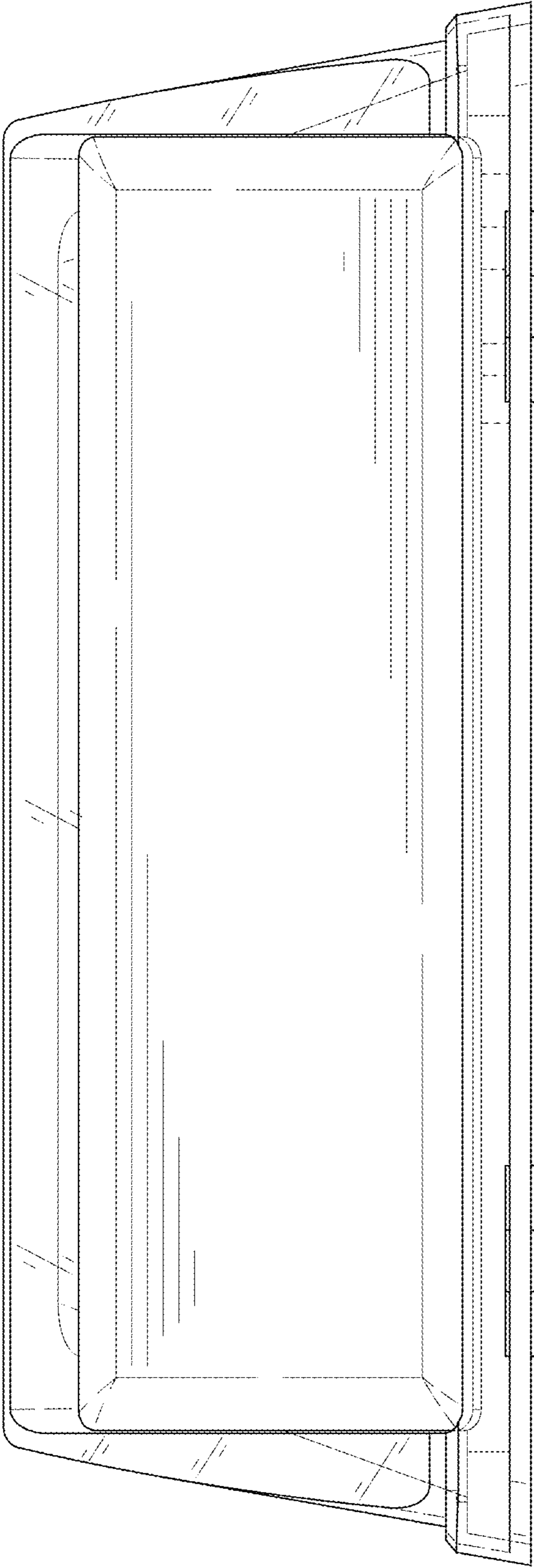


FIG. 4

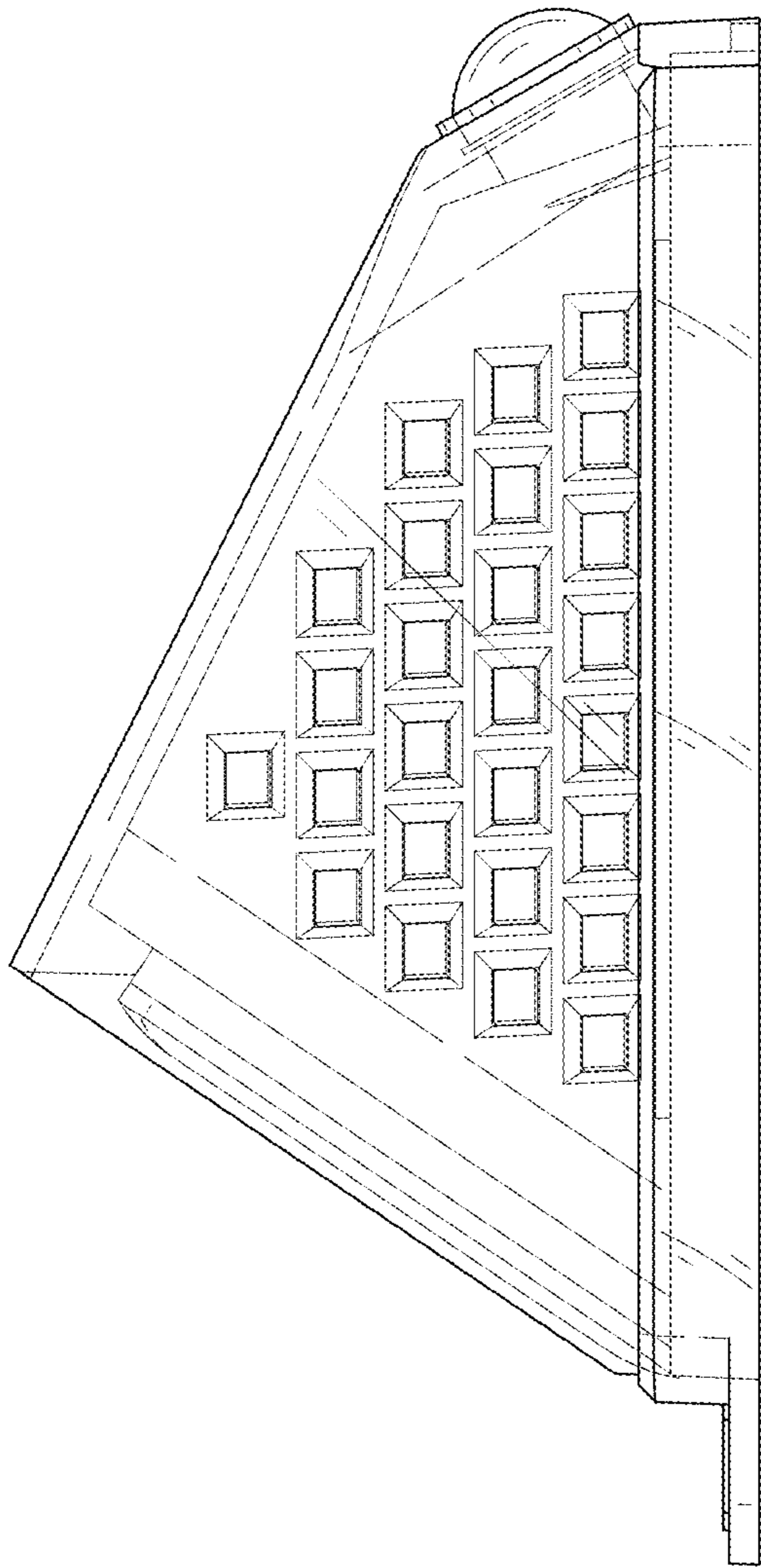


FIG. 5

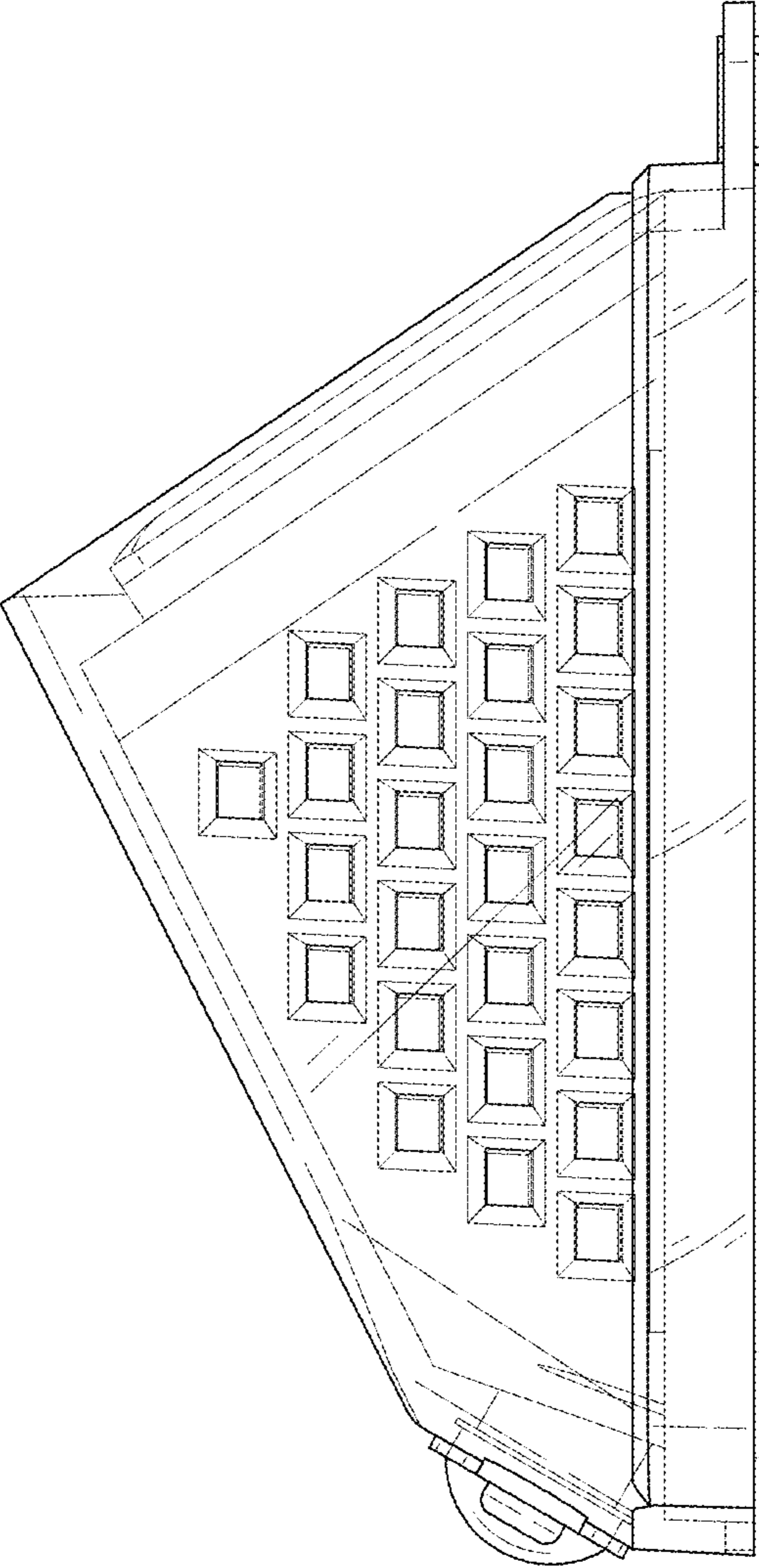


FIG. 6

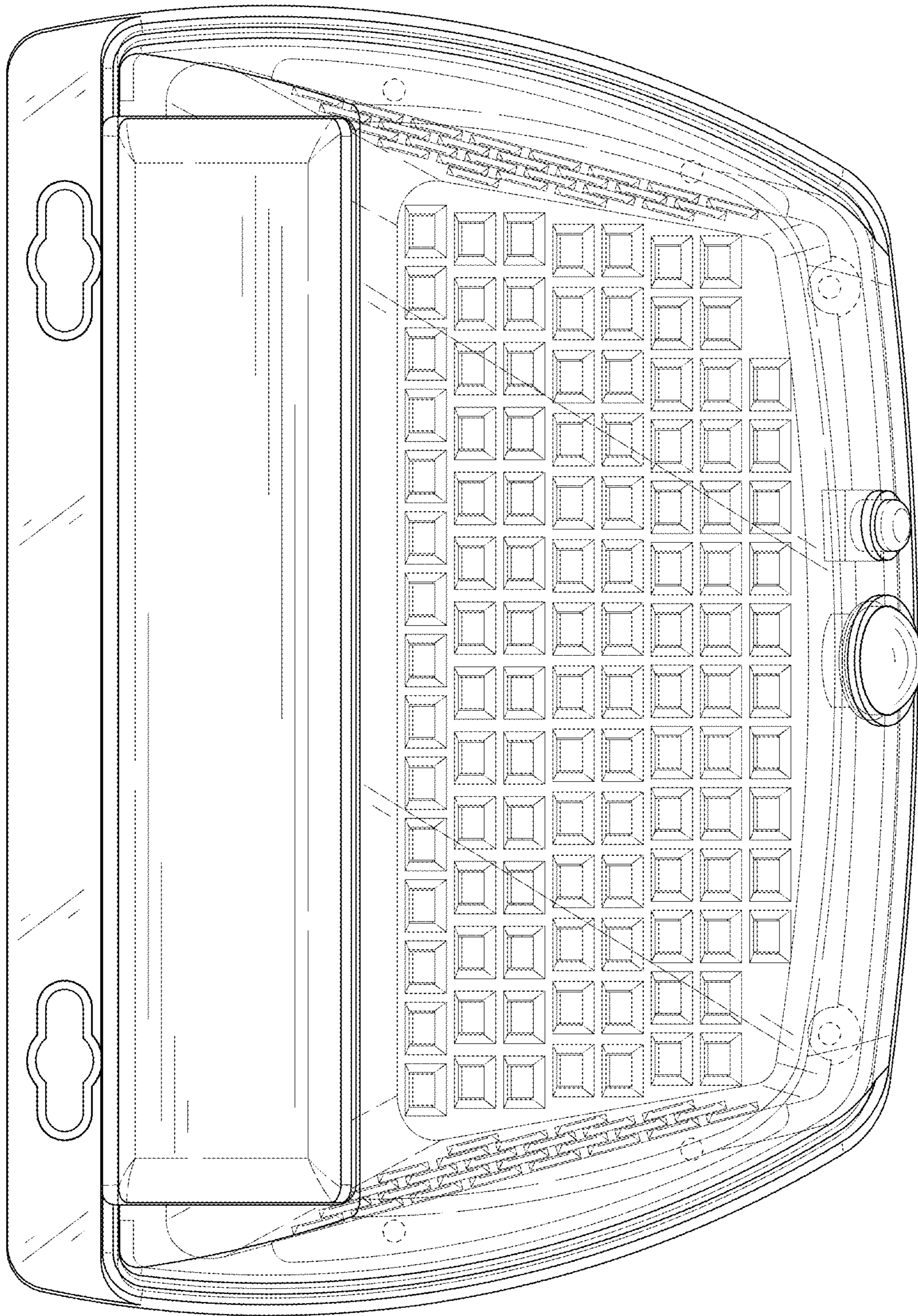


FIG. 7

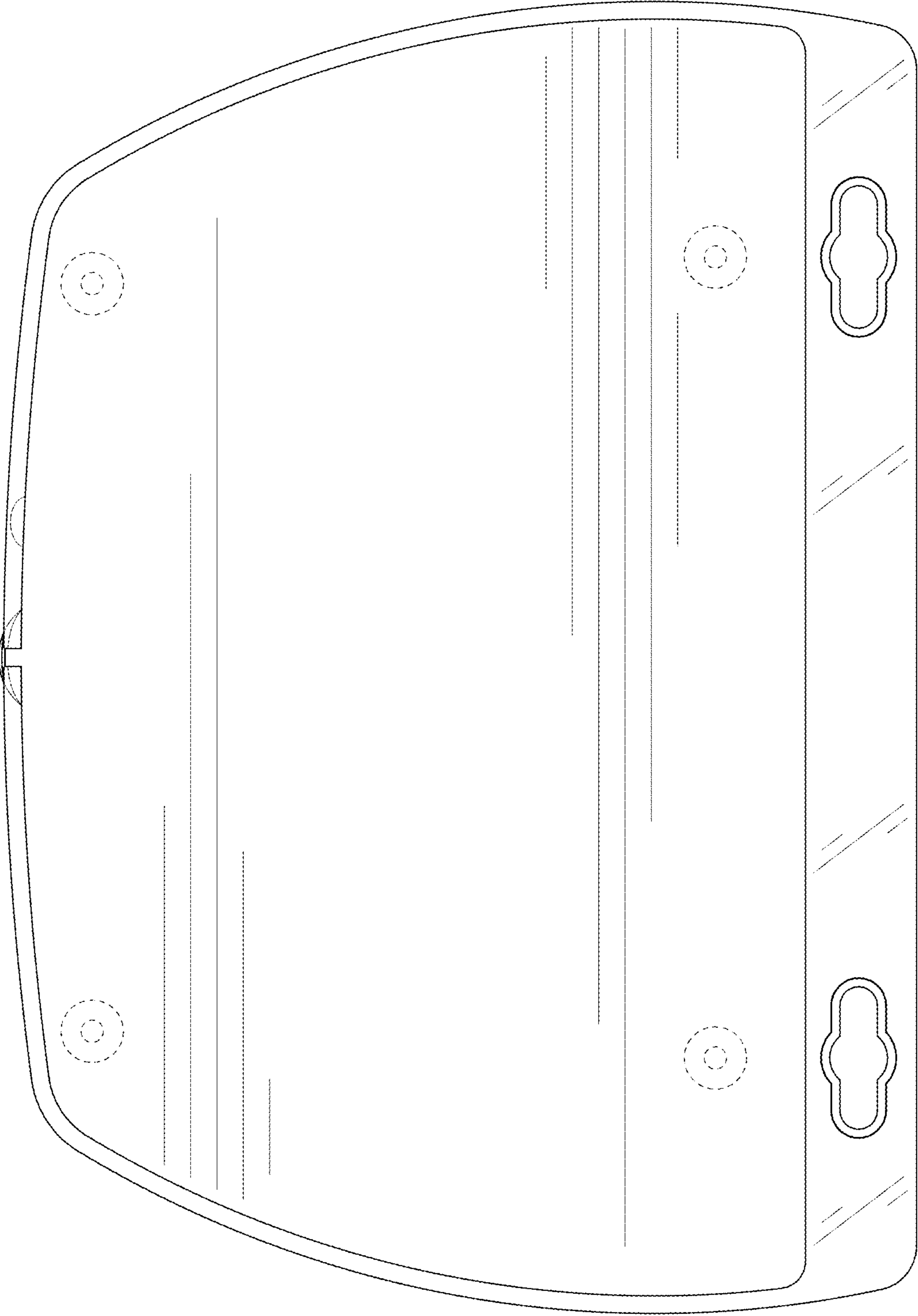


FIG. 8