



US00D977168S

(12) **United States Design Patent** (10) **Patent No.:** **US D977,168 S**
Zhou (45) **Date of Patent:** **** Jan. 31, 2023**

(54) **SOLAR PATHWAY LIGHT**

OTHER PUBLICATIONS

(71) Applicant: **Shenzhen Baliang Technology Co., Ltd.**, Shenzhen (CN)

Bucasa Solar Pathway Lights, ASIN: B09YCP3GZ4. Available from amazon.com May 12, 2022. (Year: 2022).*

(72) Inventor: **Jianping Zhou**, Ji'an (CN)

Letmy Solar Pathway Lights, ASIN: B09Q8TTN1R. Available from amazon.com Apr. 1, 2022. (Year: 2022).*

(**) Term: **15 Years**

Crosslight Solar Four Light Pathway Light, ASIN: B087T9RTW1. Available from amazon.com Feb. 16, 2022. (Year: 2022).*

(21) Appl. No.: **29/818,744**

Home Zone Security Decorative Solar Outdoor Lights, ASIN: B084SMR6F1. Available from amazon.com Feb. 13, 2020. (Year: 2020).*

(22) Filed: **Dec. 10, 2021**

* cited by examiner

(51) **LOC (14) Cl.** **26-05**

Primary Examiner — Clare E Heflin

(52) **U.S. Cl.**

(74) *Attorney, Agent, or Firm* — Che-Yang Chen; Law Office of Michael Chen

USPC **D26/67**

(58) **Field of Classification Search**

(57) **CLAIM**

USPC D26/67-70, 85

CPC F21S 8/03; F21S 8/033; F21S 8/036; F21S

8/081; F21S 9/037; F21W 2111/02;

F21W 2111/023; F21W 2131/109

See application file for complete search history.

The ornamental design for the solar pathway light, as shown and described.

DESCRIPTION

(56) **References Cited**

FIG. 1 is a top, front and left side perspective view of the solar pathway light, showing my new design;

U.S. PATENT DOCUMENTS

FIG. 2 is a front elevational view thereof;

D468,471 S * 1/2003 Chen D26/67

FIG. 3 is a rear elevational view thereof;

D574,539 S * 8/2008 Sanoner D26/67

FIG. 4 is a left side elevational view thereof;

D589,194 S * 3/2009 Sabernig D26/104

FIG. 5 is a right side elevational view thereof;

D591,885 S * 5/2009 Tortel D26/67

FIG. 6 is a top plan view thereof; and,

D615,684 S * 5/2010 Chen D26/68

FIG. 7 is a bottom plan view thereof.

D688,413 S * 8/2013 Tomlinson D26/129

The broken lines in the drawings illustrate the portions of the solar pathway light, which form no part of the claimed design.

D694,930 S * 12/2013 Meyer D26/67

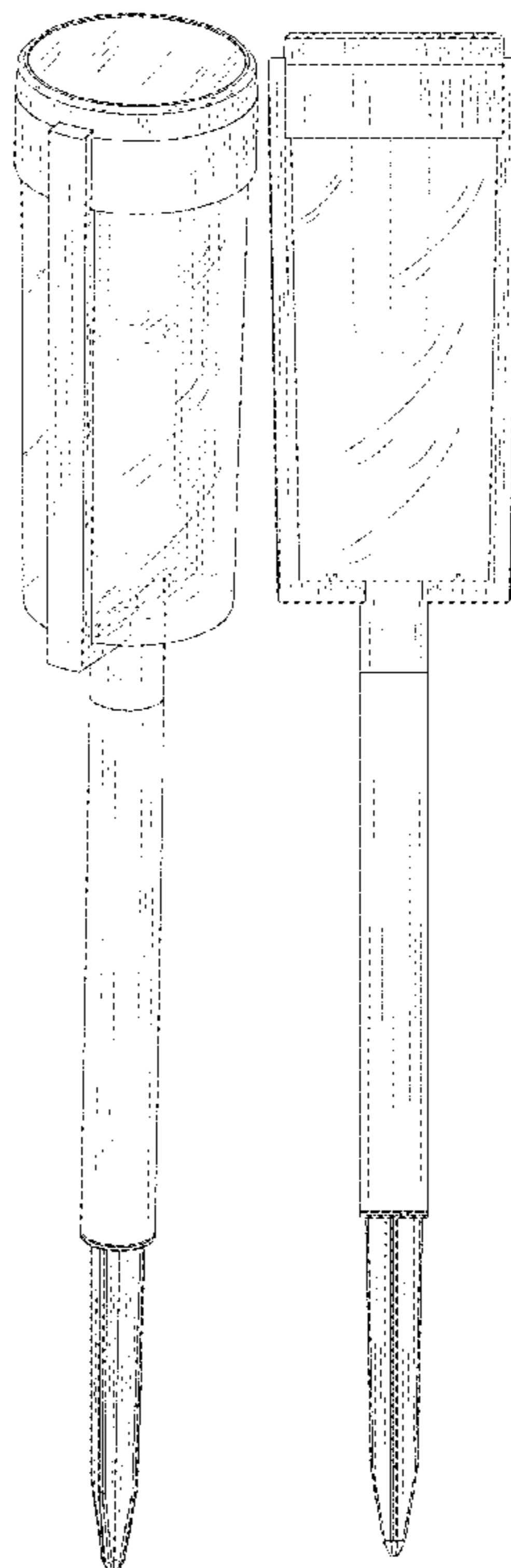
1 Claim, 7 Drawing Sheets

D822,867 S * 7/2018 Chen D26/67

D880,037 S * 3/2020 Zhang D26/40

D904,663 S * 12/2020 Wang D26/68

D923,847 S 6/2021 Ye



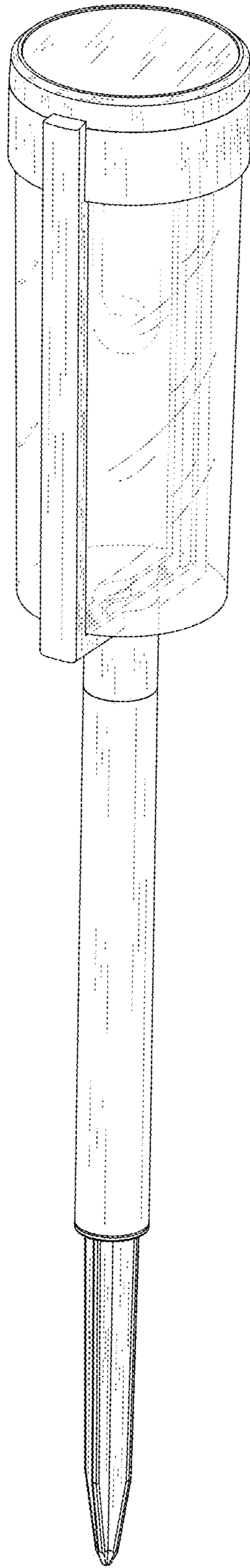


FIG. 1

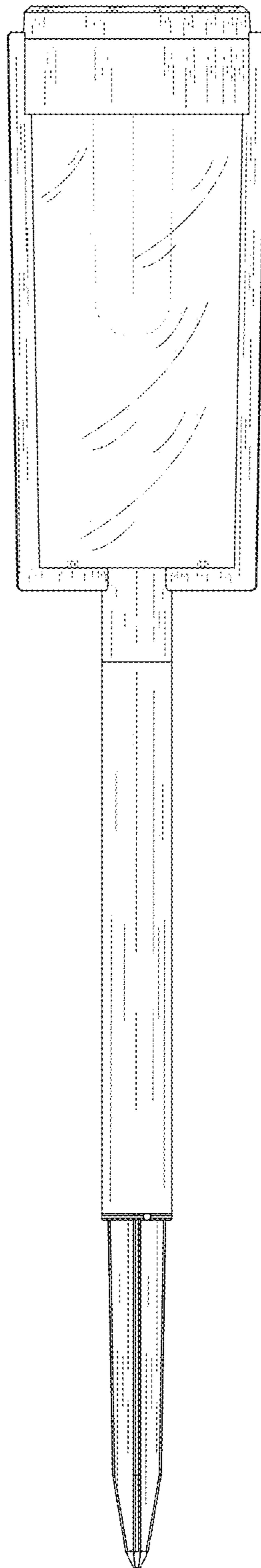


FIG.2

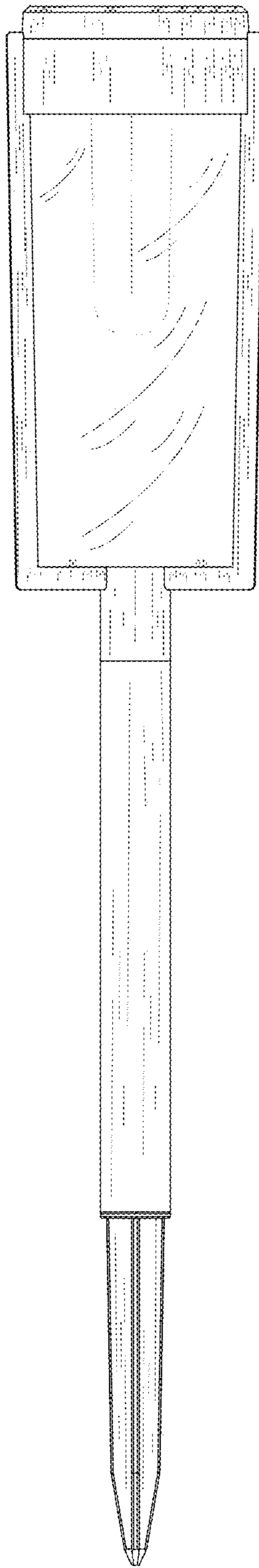


FIG.3

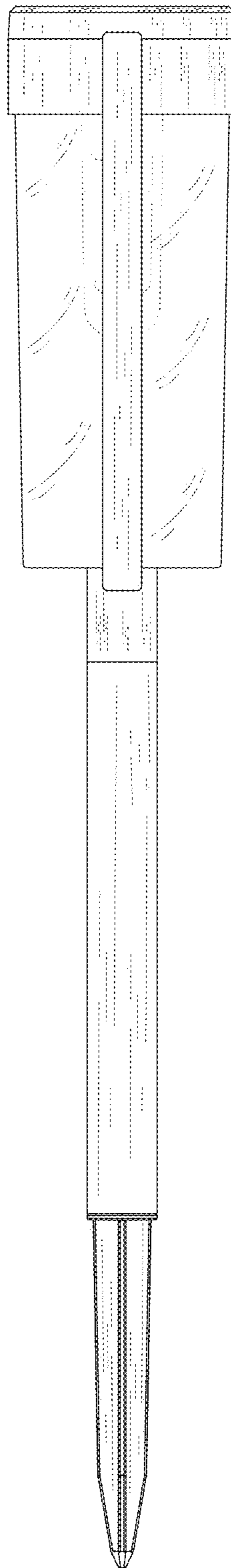


FIG. 4

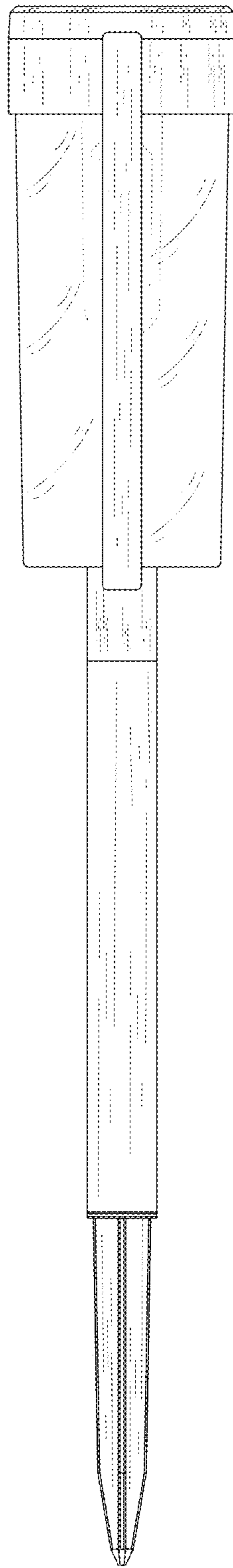


FIG. 5

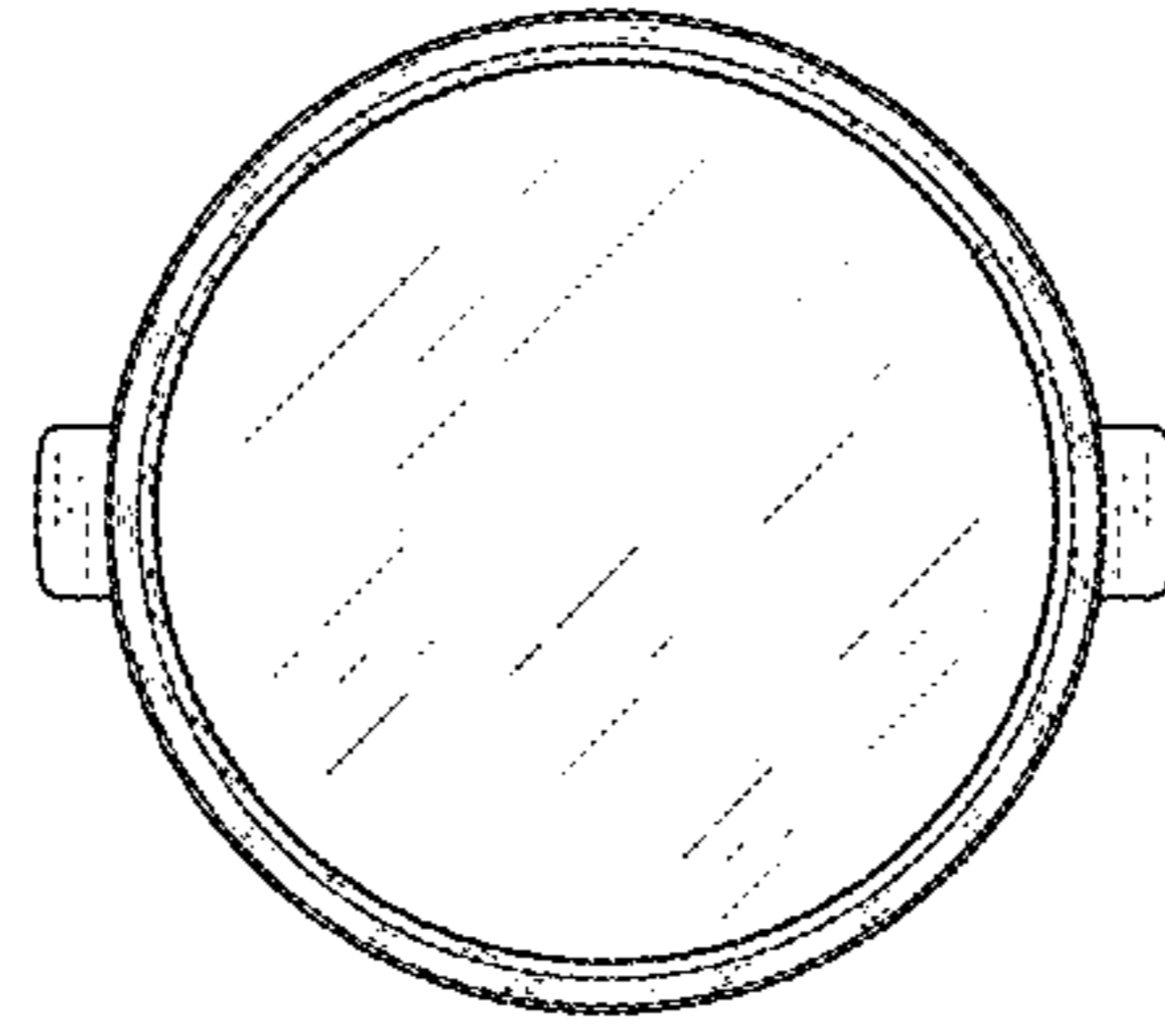


FIG.6

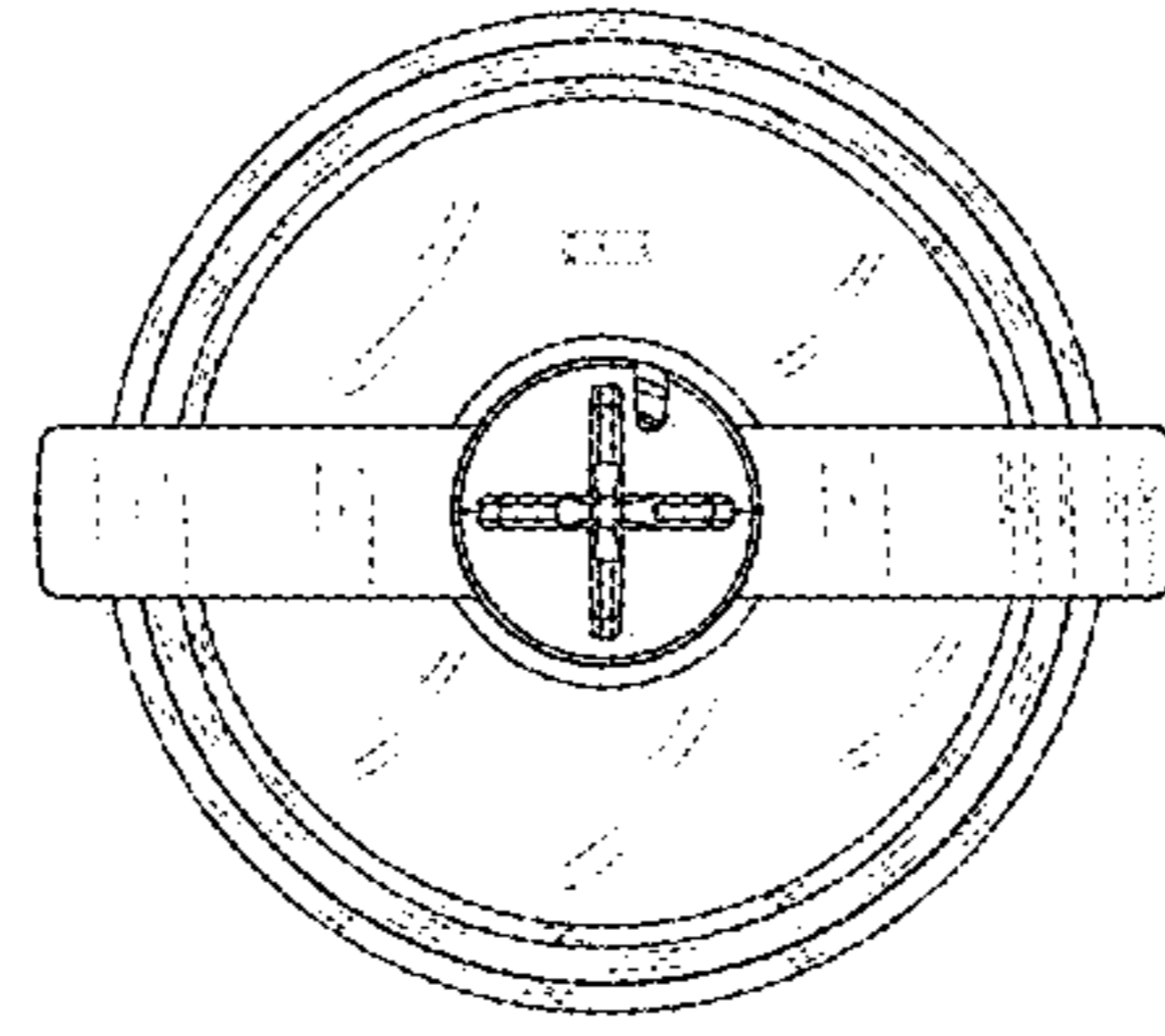


FIG.7