



US00D977167S

(12) **United States Design Patent** (10) **Patent No.:** **US D977,167 S**
Long (45) **Date of Patent:** **** Jan. 31, 2023**

(54) **SOLAR PATHWAY LIGHT**

OTHER PUBLICATIONS

(71) Applicant: **Ningbo Zhihang Electric Appliance Co., Ltd.**, Ningbo (CN)
(72) Inventor: **Xinhou Long**, Ji'an (CN)
(**) Term: **15 Years**
(21) Appl. No.: **29/818,743**
(22) Filed: **Dec. 10, 2021**
(51) **LOC (14) Cl.** **26-05**
(52) **U.S. Cl.**
USPC **D26/67**
(58) **Field of Classification Search**
USPC D26/67-70, 85
CPC F21S 8/03; F21S 8/033; F21S 8/036; F21S 8/081; F21S 9/037; F21W 2111/02; F21W 2111/023; F21W 2131/109
See application file for complete search history.

Smart Garden Avant 5L Stake Light, 5pc Carry Pack, ASIN: B08VW8L599. Available from amazon.co.uk Feb. 4, 2021. (Year: 2021).*
Crosslight Solar Powered Vintage Stake Light, ASIN: B08ZK1TBY9. Available from amazon.com Mar. 19, 2021. (Year: 2021).*
Letmy Solar Pathway Lights, ASIN: B08HQ65NSD. Available from amazon.com Apr. 6, 2021. (Year: 2021).*
Home Zone Security Pathway & Garden Solar Glass Lights, ASIN: B07WWKLCPN. Available from amazon.com Oct. 2, 2019. (Year: 2019).*

* cited by examiner

Primary Examiner — Clare E Heflin
(74) *Attorney, Agent, or Firm* — Che-Yang Chen; Law Office of Michael Chen

(57) **CLAIM**

The ornamental design for the solar pathway light, as shown and described.

(56) **References Cited**

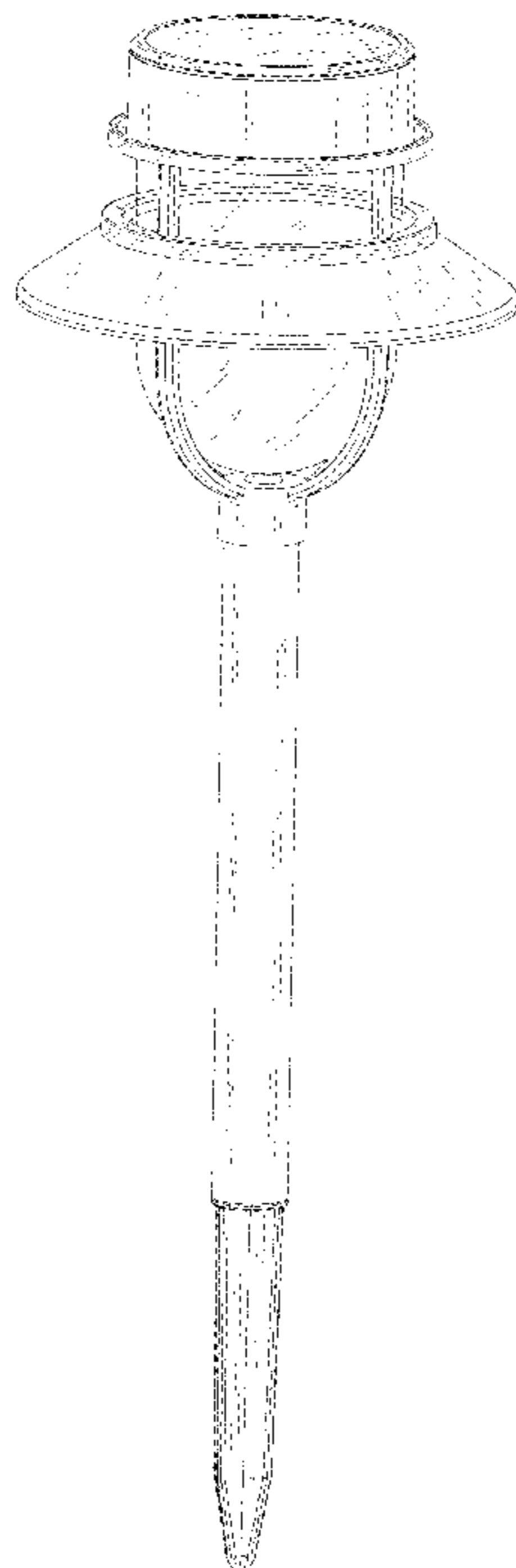
DESCRIPTION

U.S. PATENT DOCUMENTS

D199,144 S *	9/1964	Daum	D26/67
D300,372 S *	3/1989	O'Dohanue	D26/85
D300,373 S *	3/1989	Galipeau	D26/85
D302,329 S *	7/1989	Fretz	D26/67
D427,351 S *	6/2000	Landefeld	D26/67
D487,525 S *	3/2004	Hsu	D26/72
D494,698 S *	8/2004	Hon	D26/67
D495,444 S *	8/2004	Lam	D26/63
D528,243 S *	9/2006	Bucher	D26/68
D639,990 S	6/2011	Chen	
D663,457 S *	7/2012	Ho	D26/68
D678,576 S *	3/2013	Chen	D26/67
D822,251 S *	7/2018	Chen	D26/67
D952,224 S *	5/2022	Nankil	D26/85

FIG. 1 is a top, front and right side perspective view of the solar pathway light, showing my new design;
FIG. 2 is a bottom, rear and left side perspective view thereof;
FIG. 3 is a front elevational view thereof;
FIG. 4 is a rear elevational view thereof;
FIG. 5 is a left side elevational view thereof;
FIG. 6 is a right side elevational view thereof;
FIG. 7 is a top plan view thereof; and,
FIG. 8 is a bottom plan view thereof.

1 Claim, 8 Drawing Sheets



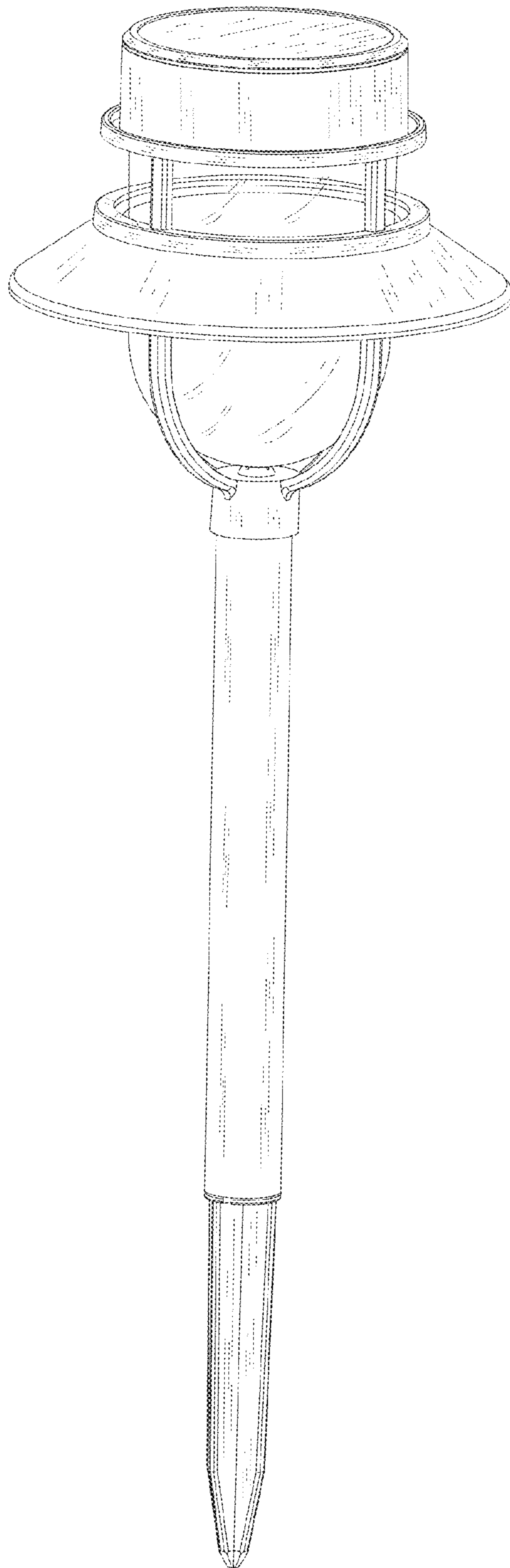


FIG.1

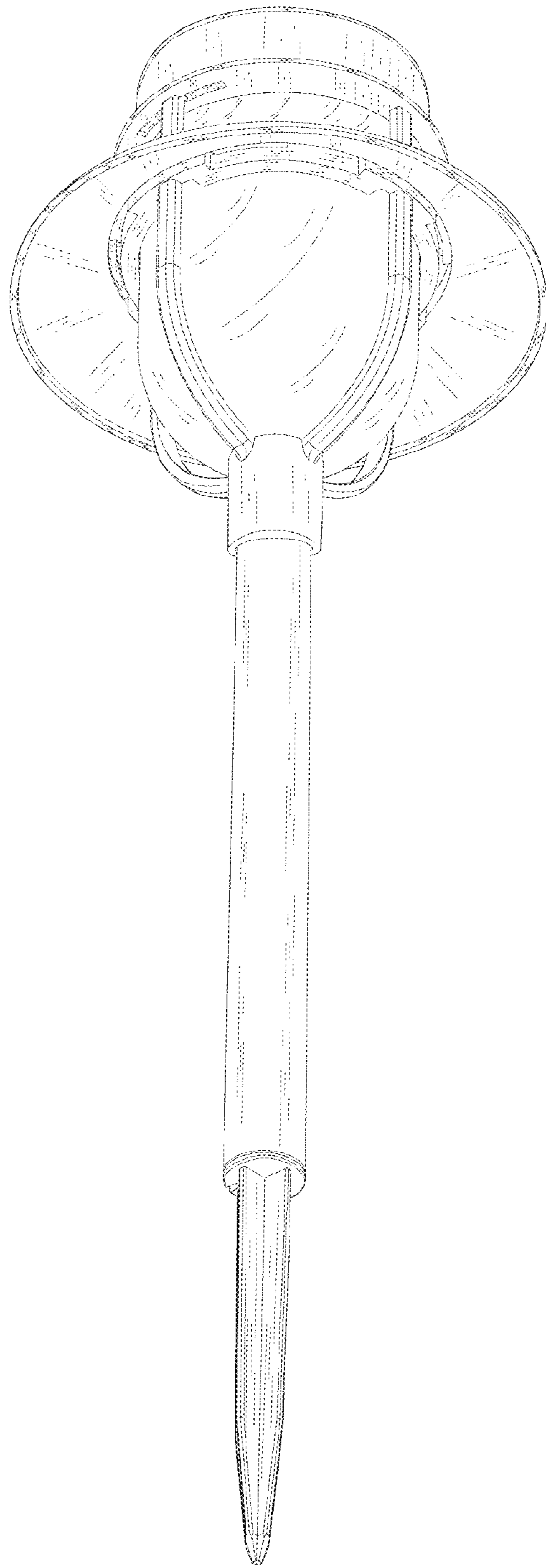


FIG. 2

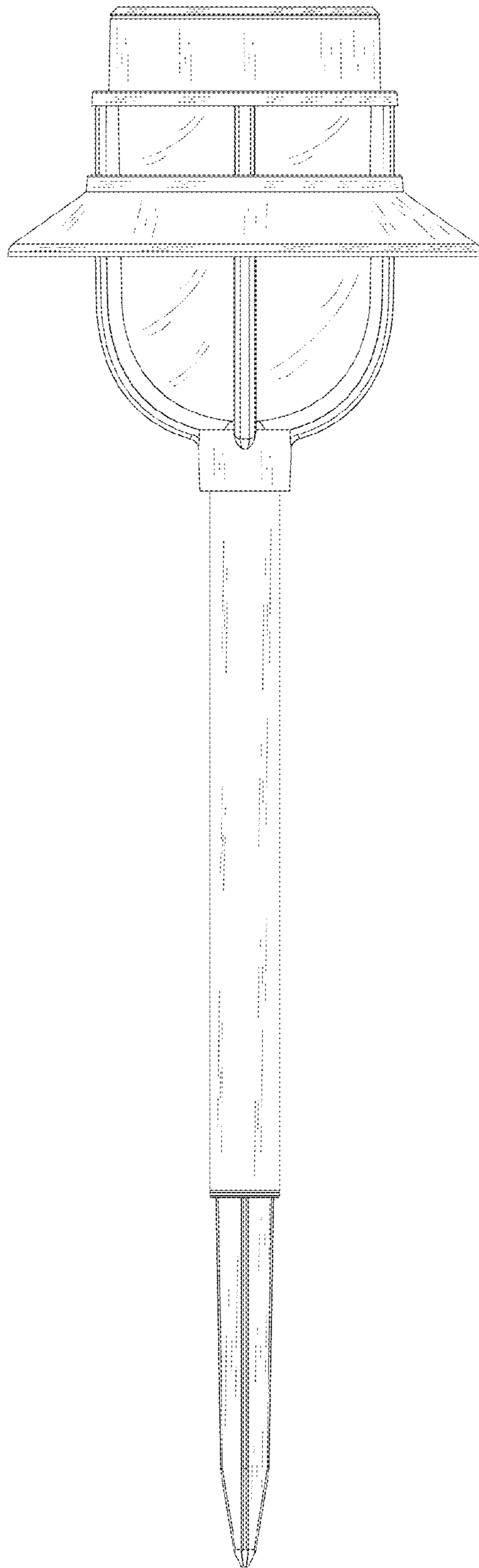


FIG. 3

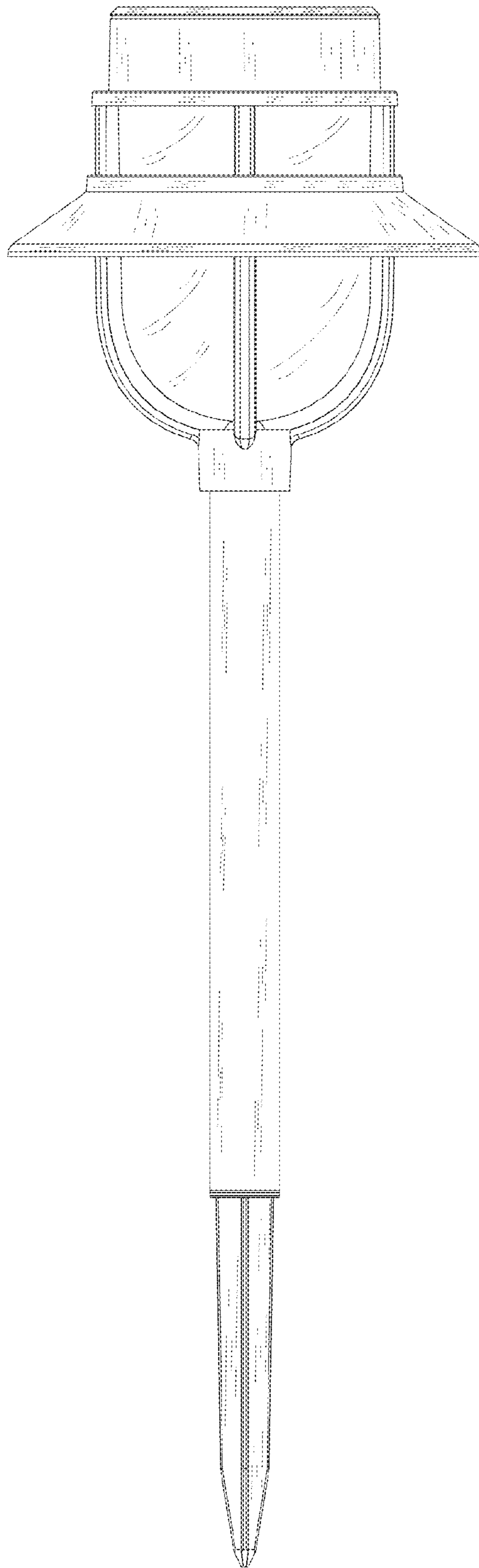


FIG.4

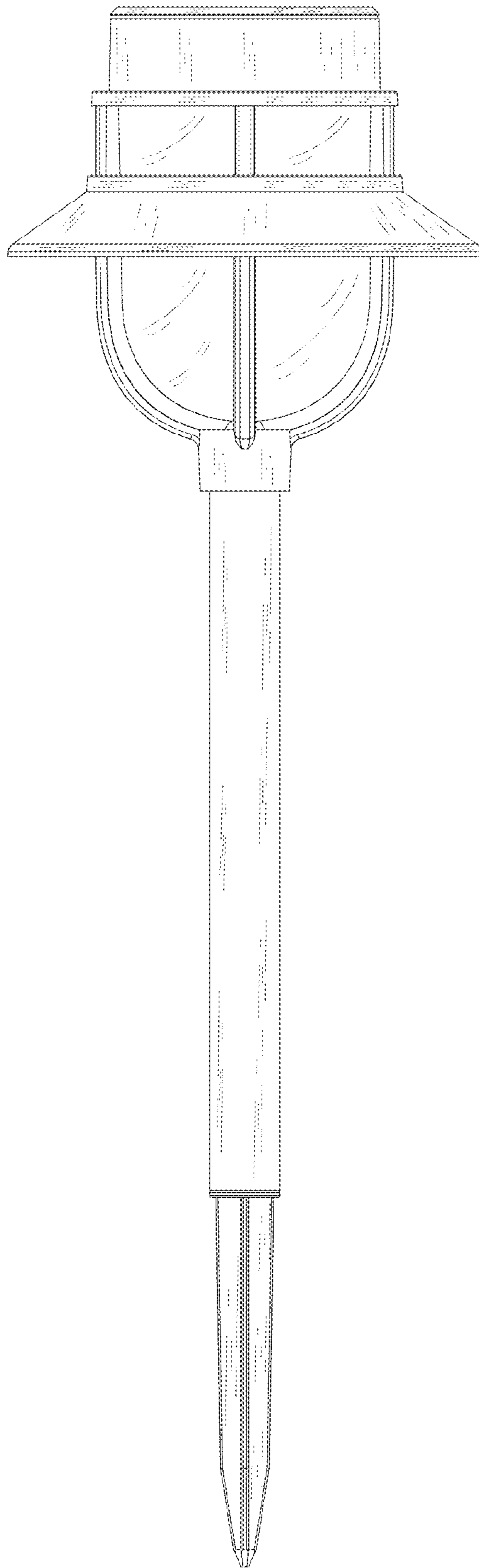


FIG. 5

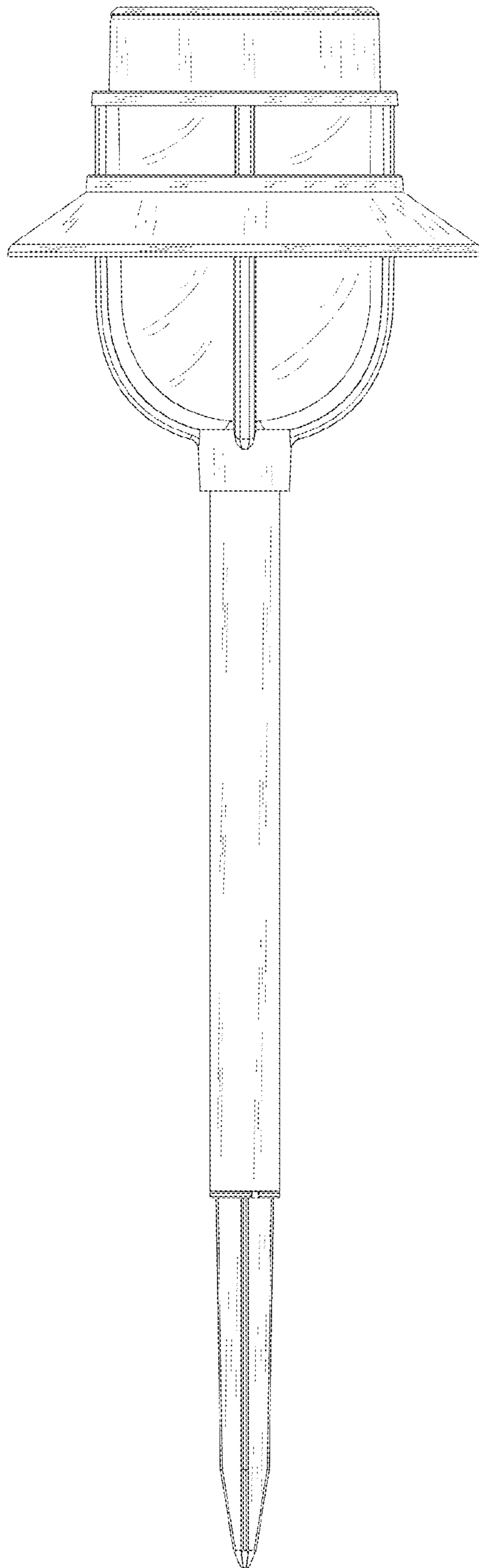


FIG.6

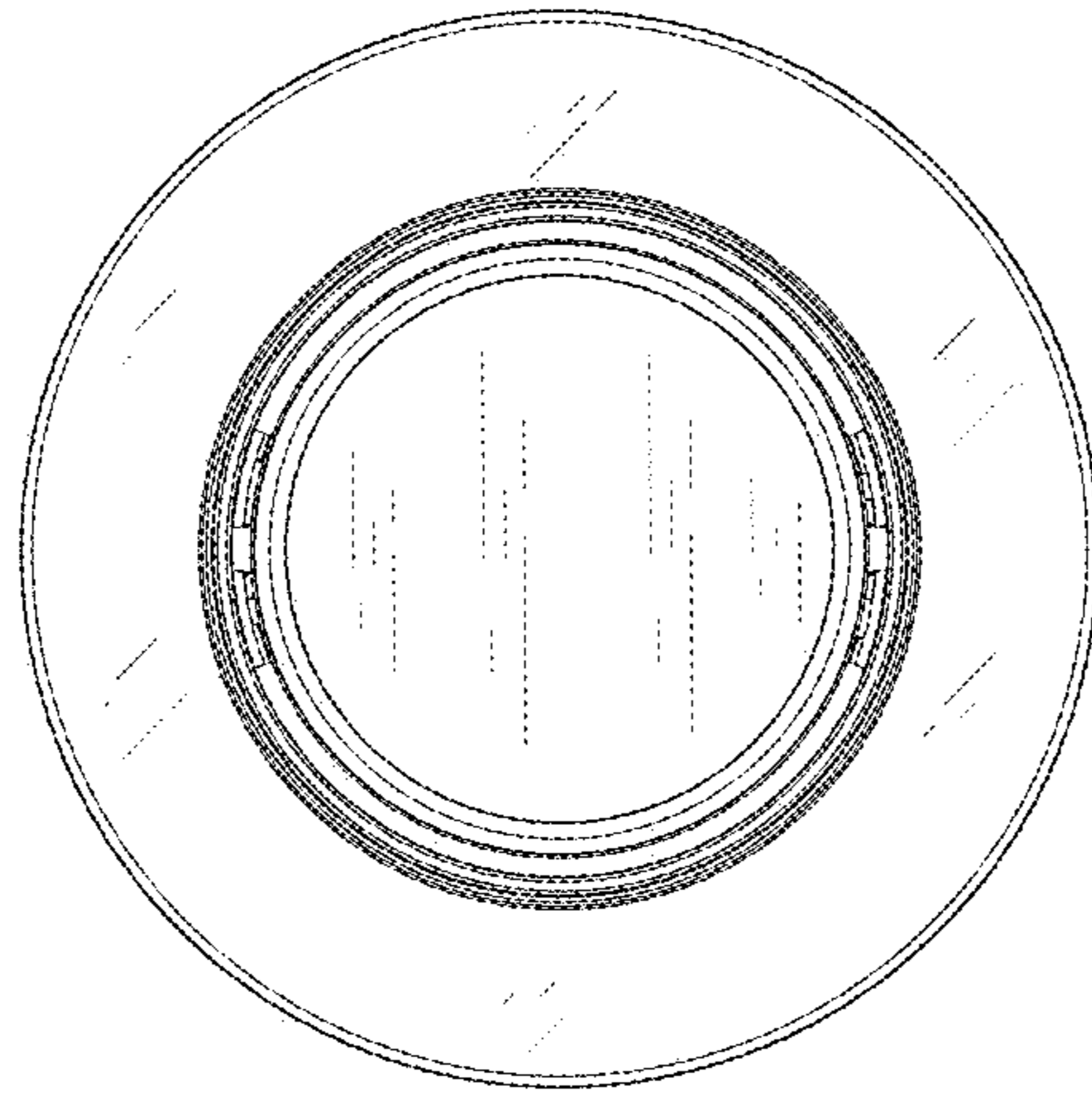


FIG.7

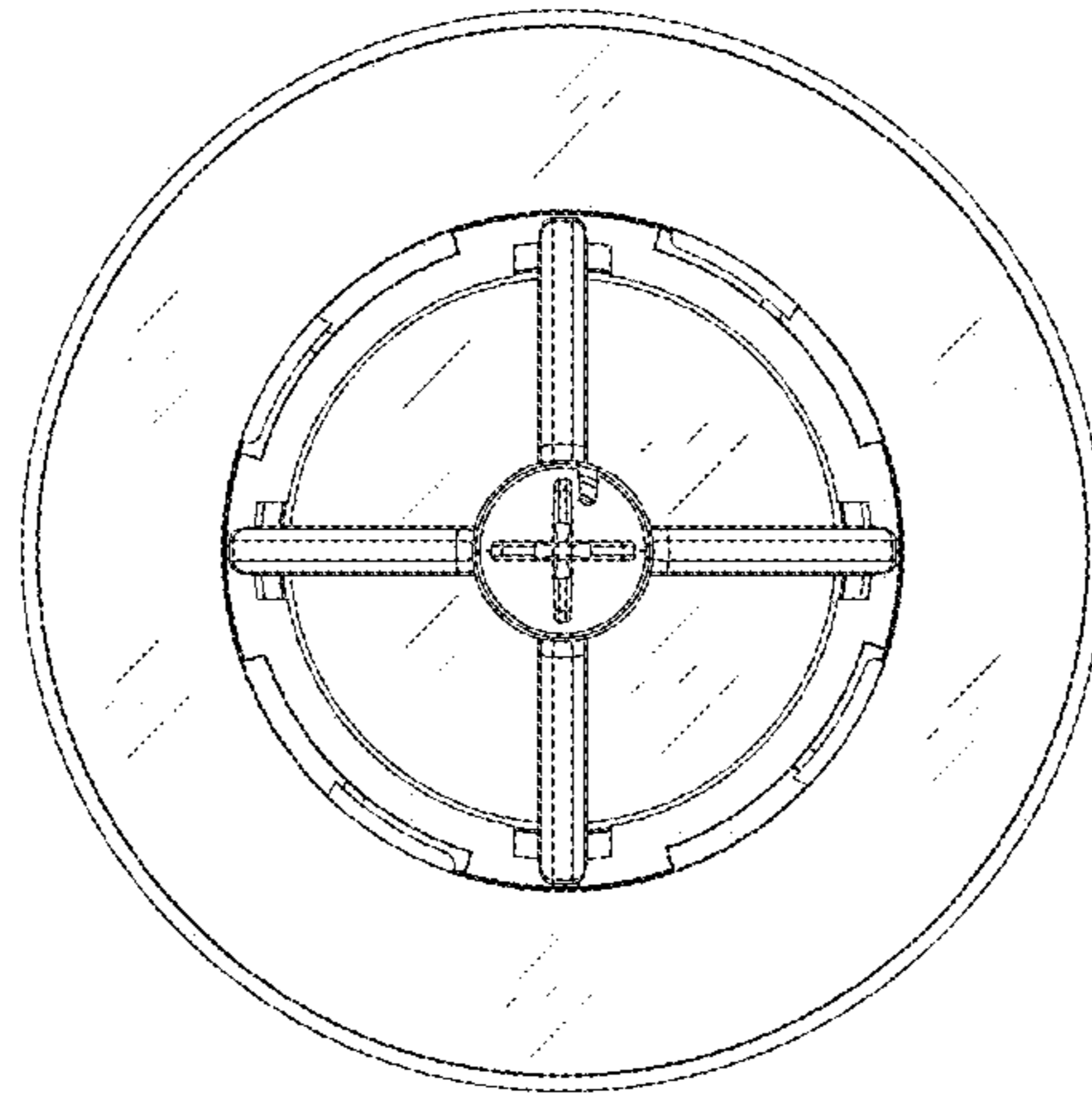


FIG.8