



US00D977163S

(12) **United States Design Patent**  
**Wu**

(10) **Patent No.:** **US D977,163 S**

(45) **Date of Patent:** **\*\* Jan. 31, 2023**

(54) **VEHICLE LIGHT PART**

(71) Applicant: **COPLUS INC.**, Tainan (TW)

(72) Inventor: **Po-Hua Wu**, Tainan (TW)

(73) Assignee: **COPLUS INC.**, Tainan (TW)

(\*\*) Term: **15 Years**

(21) Appl. No.: **29/786,816**

(22) Filed: **Jun. 2, 2021**

(30) **Foreign Application Priority Data**

Mar. 9, 2021 (TW) ..... 110301202

(51) **LOC (14) Cl.** ..... **26-06**

(52) **U.S. Cl.**  
USPC ..... **D26/28**

(58) **Field of Classification Search**  
USPC ..... D26/28, 29, 30, 31, 32, 33, 34, 35, 36,  
D26/139

CPC ..... F21W 2103/35; F21W 2103/40; F21W  
2102/17; F21W 2102/30; F21W 2103/00;  
F21W 2103/55; F21W 2104/00; F21W  
2107/17; F21W 2107/13; F21S 41/00;  
F21S 41/141; F21S 41/162; F21S 41/18;  
F21S 41/20; F21S 41/33; F21S 41/36;  
F21S 41/60; F21S 43/00; F21V 21/04

See application file for complete search history.

(56) **References Cited**

**U.S. PATENT DOCUMENTS**

D846,770 S \* 4/2019 Kozub ..... D26/28  
D859,708 S \* 9/2019 Kozub ..... D26/28

D874,696 S \* 2/2020 He ..... D26/28  
D928,999 S \* 8/2021 Wu ..... D26/28  
D937,454 S \* 11/2021 Wu ..... D26/28  
D938,079 S \* 12/2021 Lin ..... D26/28  
D939,114 S \* 12/2021 Chen ..... D26/28  
D950,802 S \* 5/2022 Tsai ..... D26/28  
D954,307 S \* 6/2022 Lin ..... D26/28  
D954,308 S \* 6/2022 Lin ..... D26/28  
D955,015 S \* 6/2022 Wu ..... D26/28  
D961,817 S \* 8/2022 Yang ..... D26/28  
D965,832 S \* 10/2022 Yeh ..... D26/28

\* cited by examiner

*Primary Examiner* — Angela J Lee

(74) *Attorney, Agent, or Firm* — Lewis Roca Rothgerber  
Christie LLP

(57) **CLAIM**

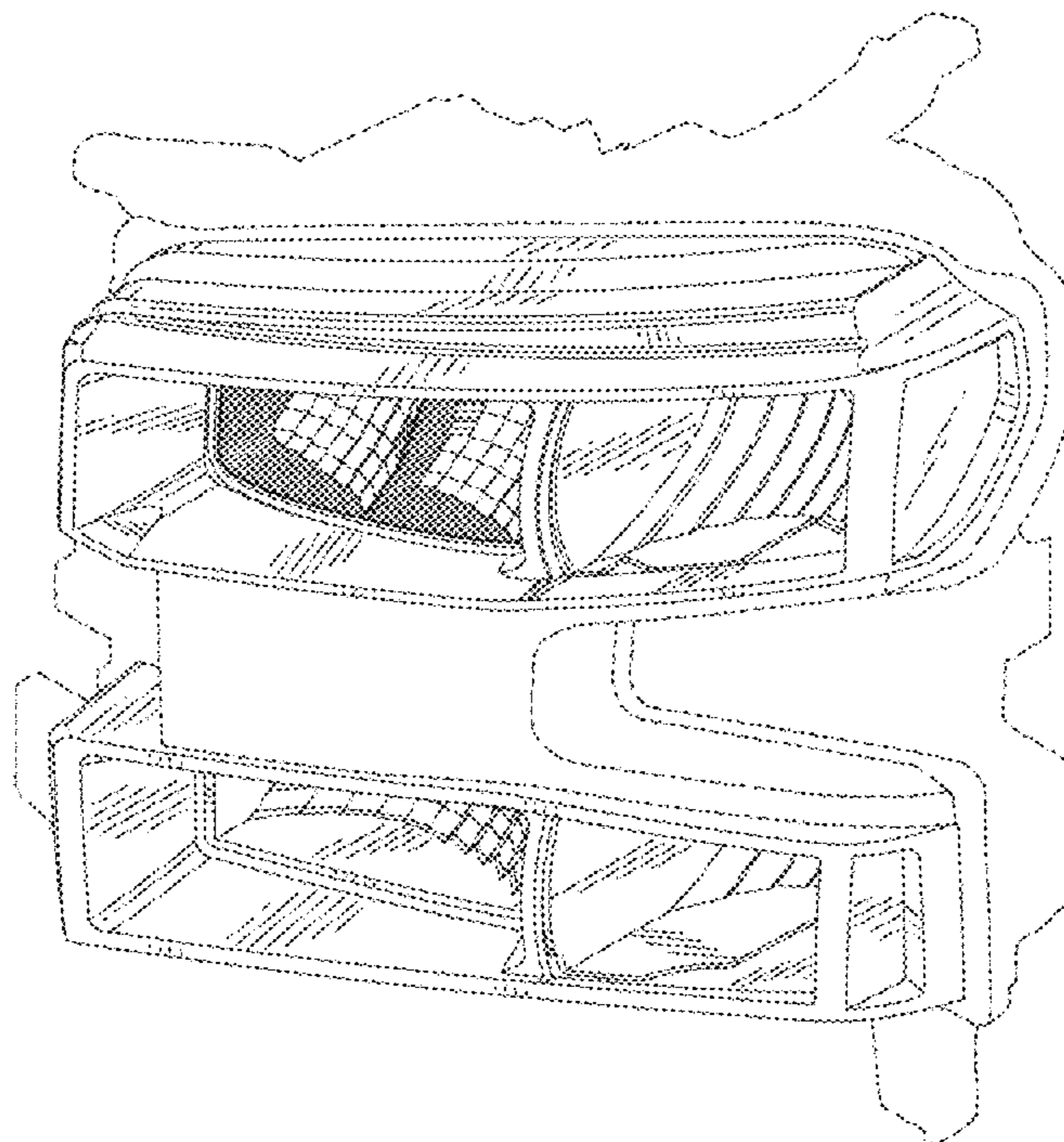
The ornamental design for vehicle light part, as shown and  
described.

**DESCRIPTION**

FIG. 1 is a perspective view of the vehicle light part;  
FIG. 2 is a front view thereof;  
FIG. 3 is a rear view thereof;  
FIG. 4 is a left side view thereof;  
FIG. 5 is a right side view thereof;  
FIG. 6 is a top view thereof; and,  
FIG. 7 is a bottom view thereof.

The broken lines in the drawings depict portions of the  
article that form no part of the claimed design.

**1 Claim, 7 Drawing Sheets**



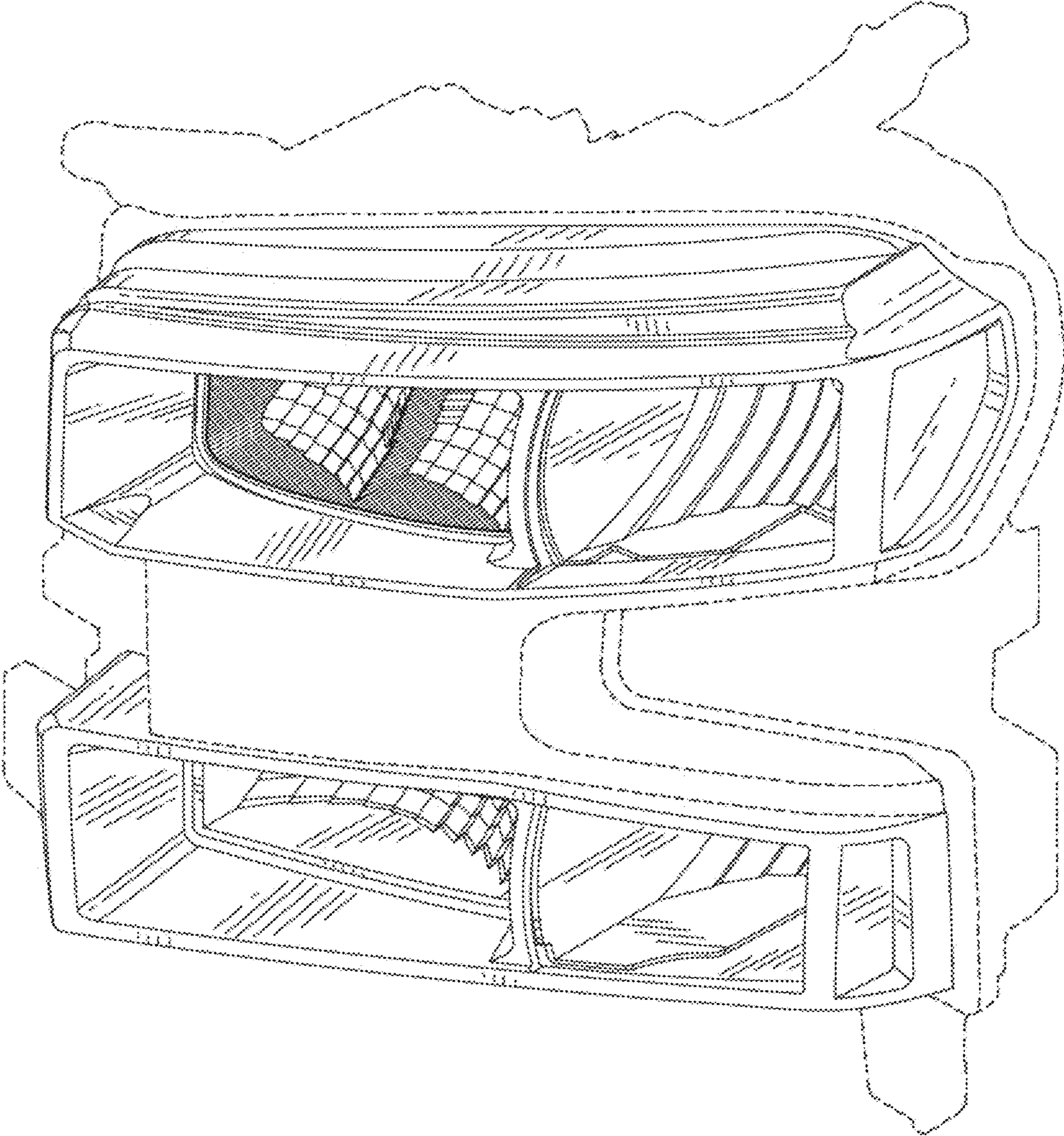


FIG. 1



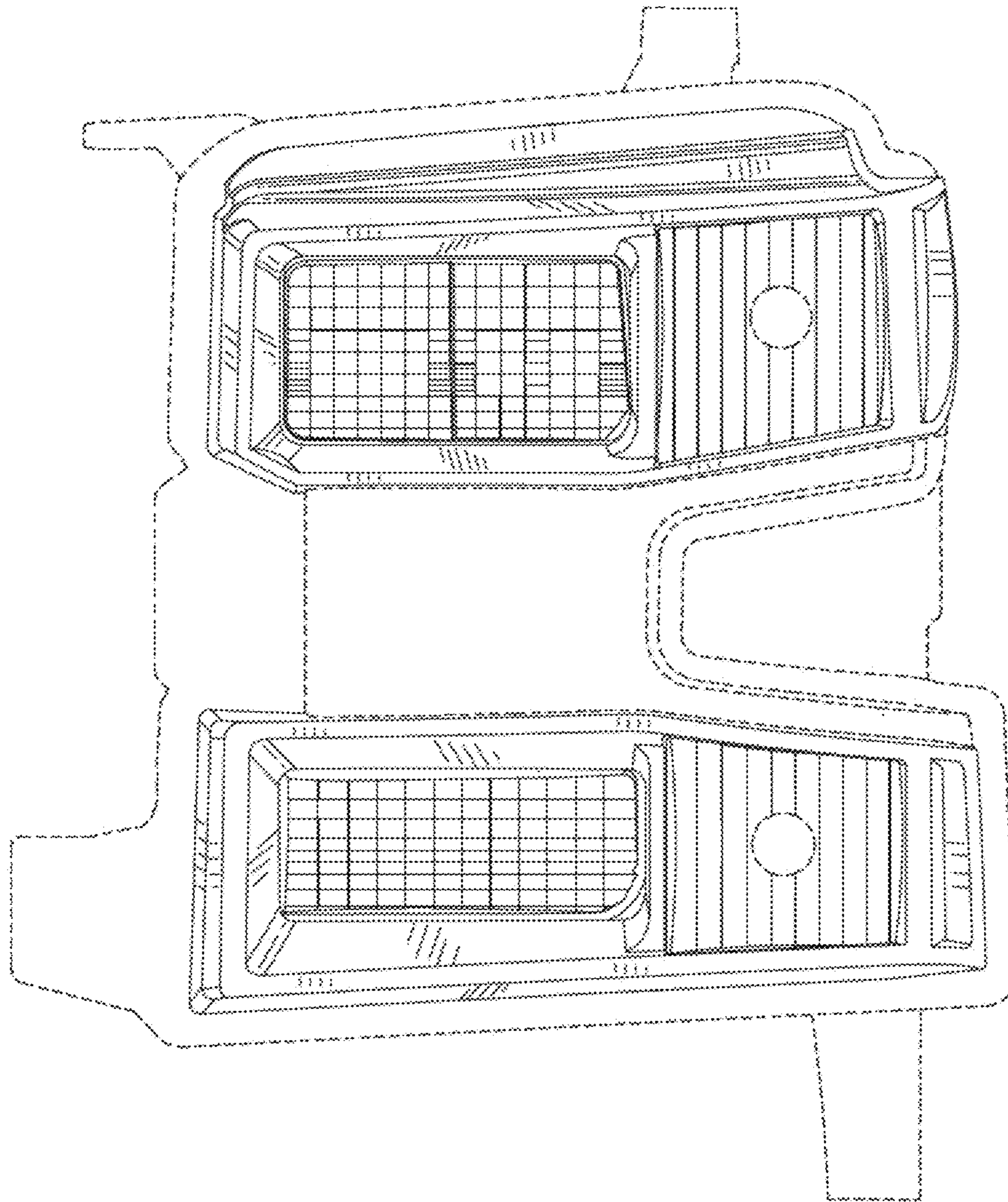


FIG. 2

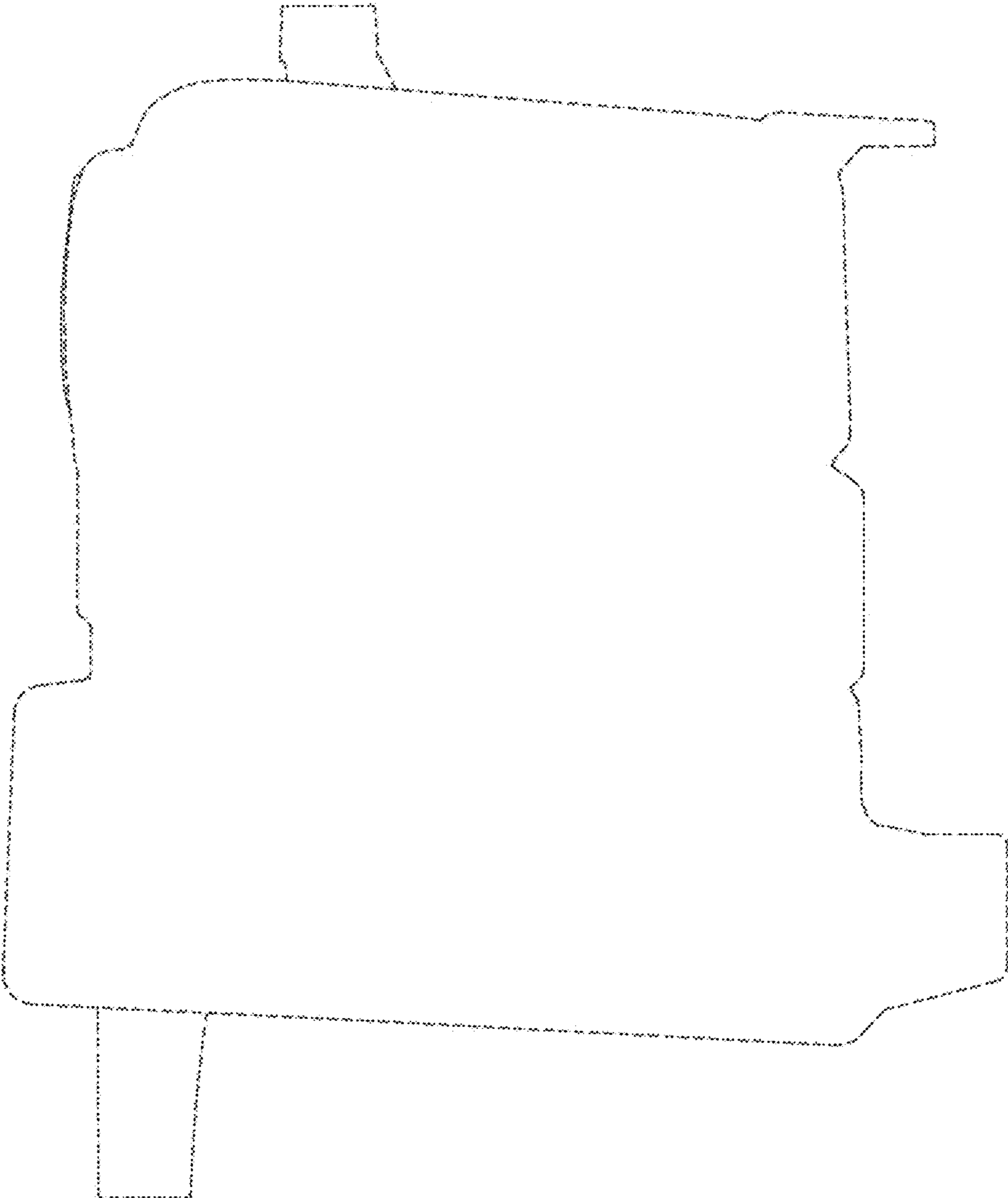


FIG. 3

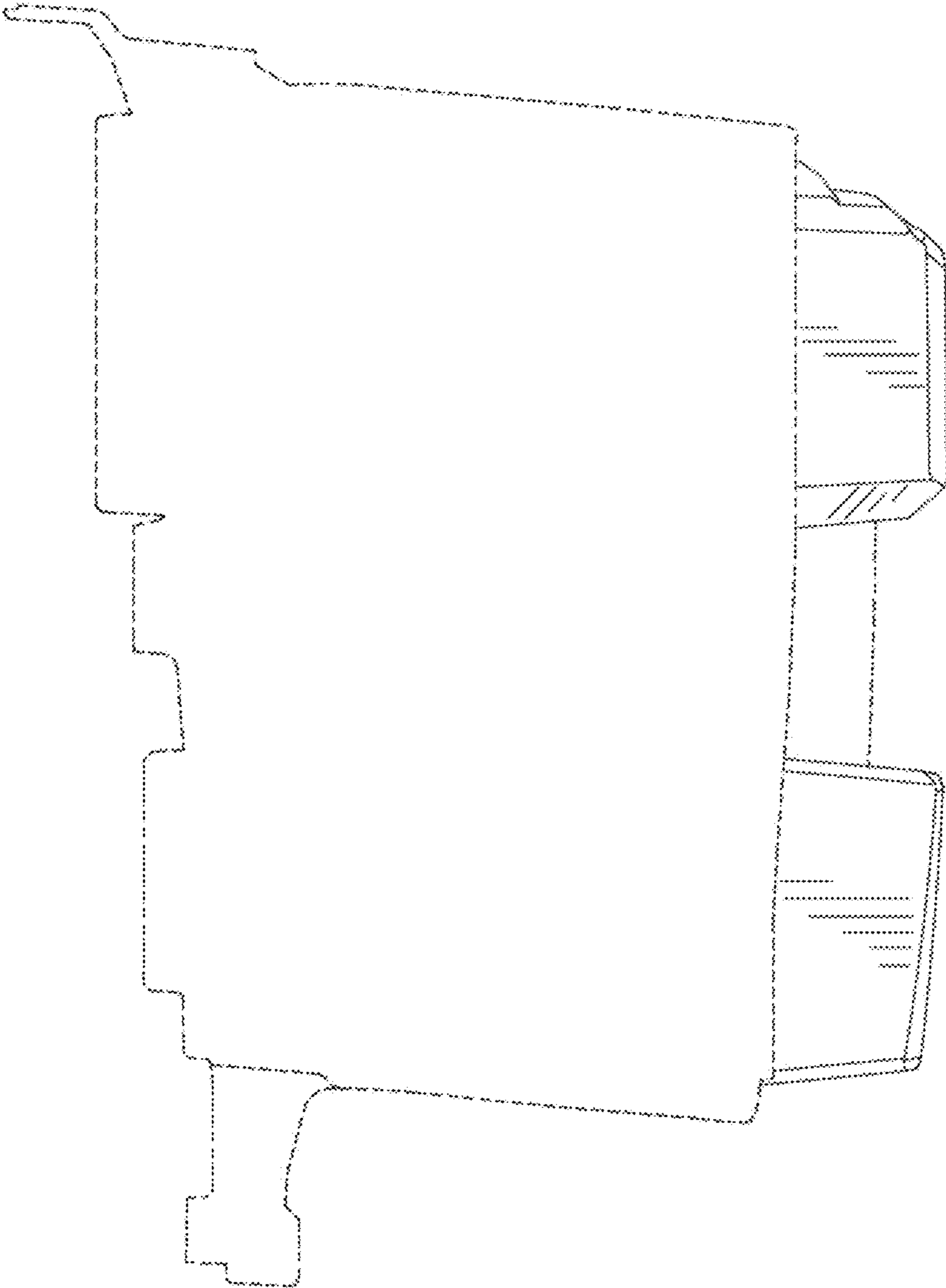


FIG. 4

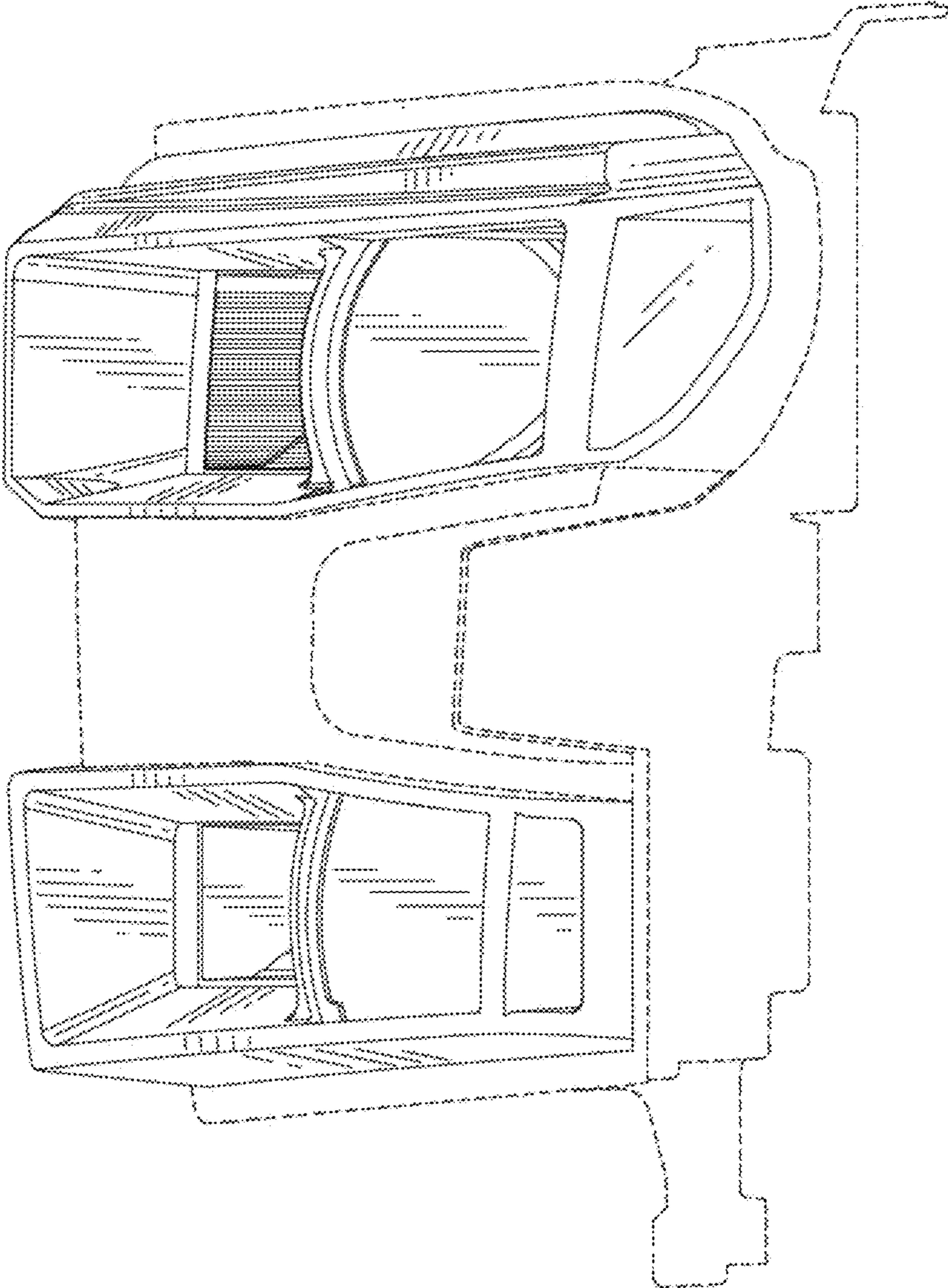


FIG. 5

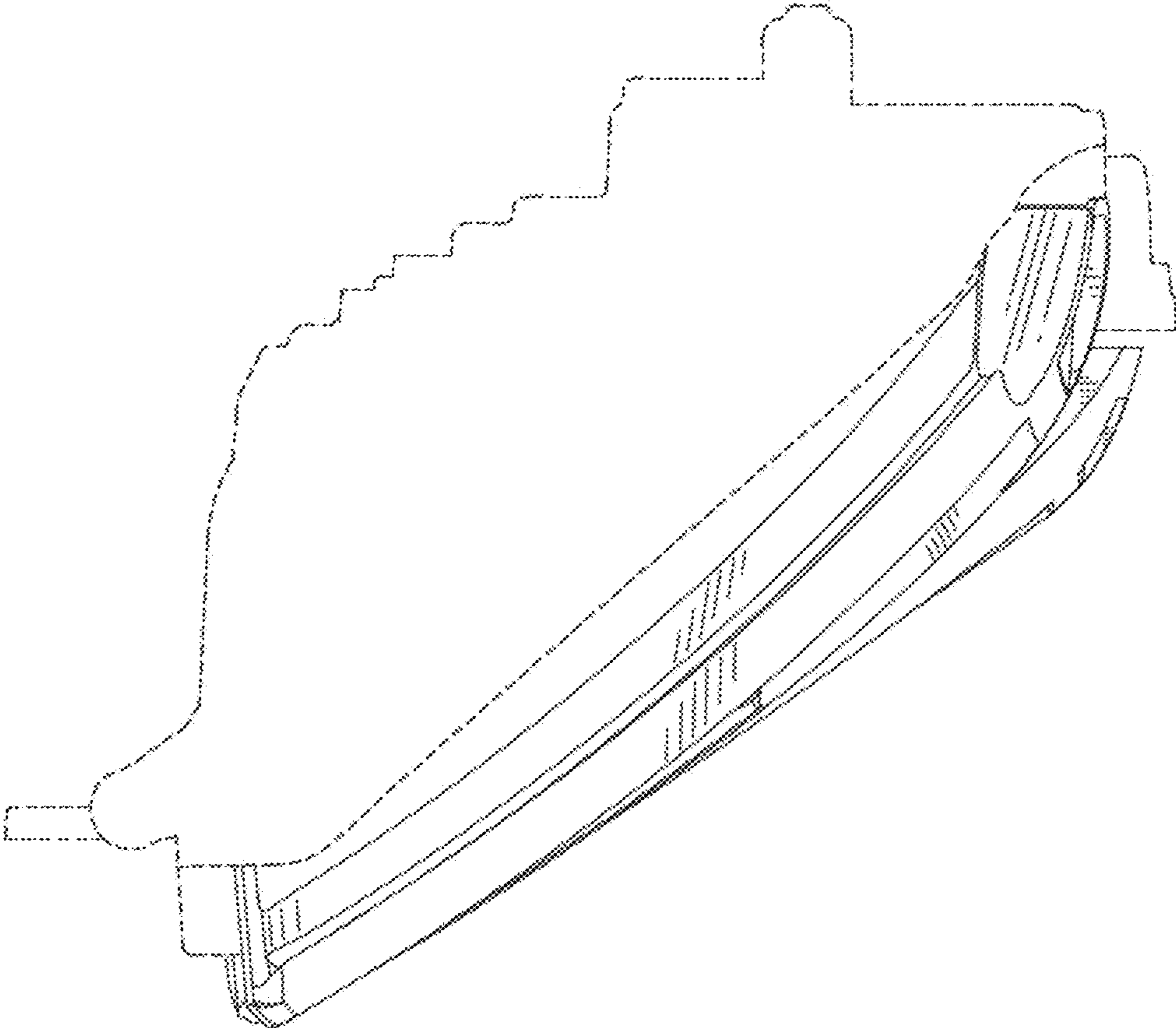


FIG. 6



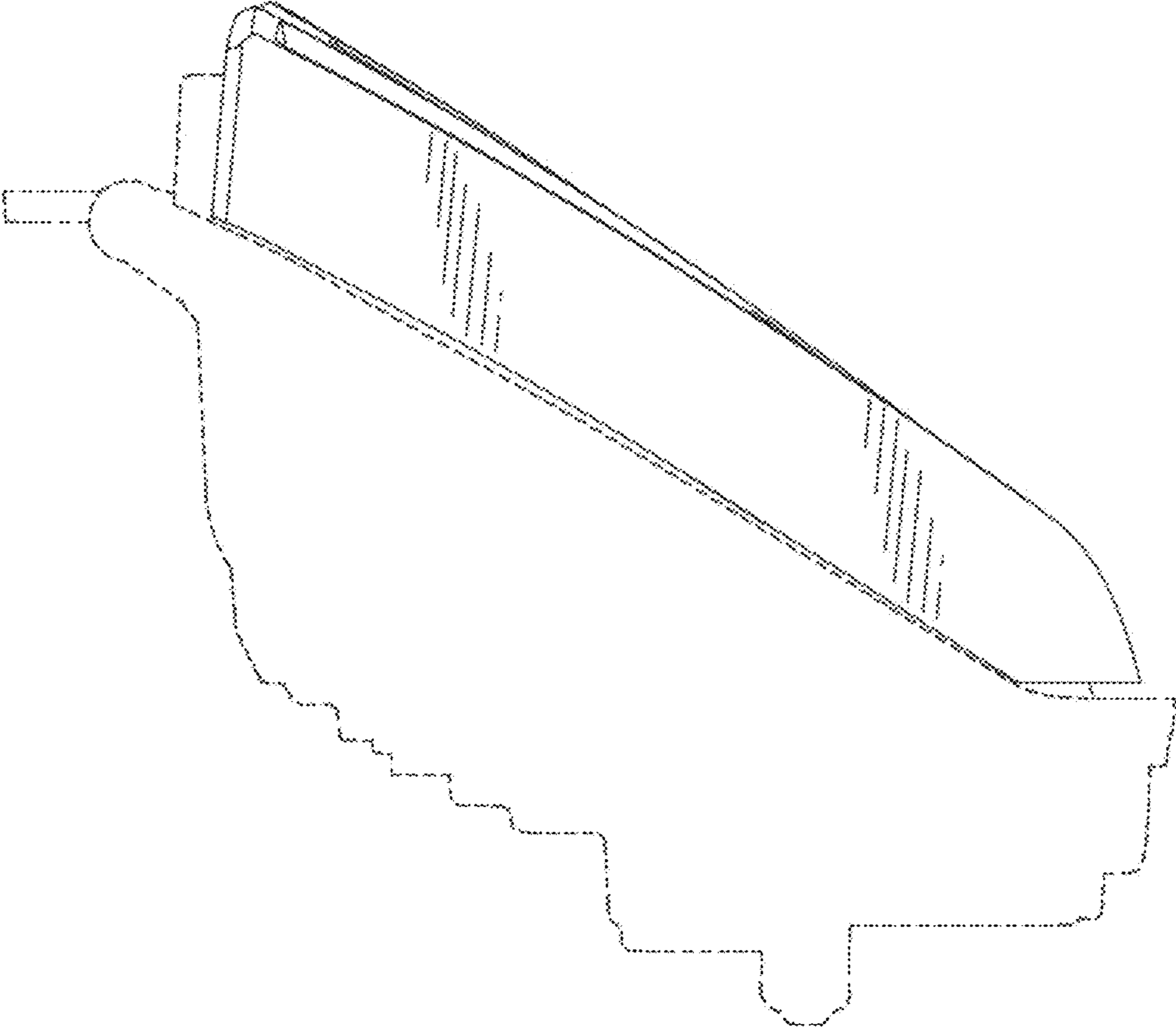


FIG. 7