



US00D977161S

(12) **United States Design Patent**
Chen

(10) **Patent No.:** **US D977,161 S**

(45) **Date of Patent:** **** Jan. 31, 2023**

(54) **CAR LIGHT**

(71) Applicant: **Zhejiang Hongguan Lighting Technology Co., Ltd., Ruian (CN)**

(72) Inventor: **Yu Chen, Ruian (CN)**

(**) Term: **15 Years**

(21) Appl. No.: **29/777,679**

(22) Filed: **Apr. 8, 2021**

(30) **Foreign Application Priority Data**

Feb. 4, 2021 (CN) 202130082251.X

(51) **LOC (14) Cl.** **26-06**

(52) **U.S. Cl.**
USPC **D26/28**

(58) **Field of Classification Search**

USPC D26/28, 29, 30, 31, 32, 33, 34, 35, 36
CPC F21W 2103/35; F21W 2103/40; F21W 2102/17; F21W 2102/30; F21W 2103/00; F21W 2103/55; F21W 2104/00; F21W 2107/17; F21W 2107/13; F21S 41/00; F21S 41/141; F21S 41/162; F21S 41/18; F21S 41/20; F21S 41/33; F21S 41/36; F21S 41/60; F21S 43/00; F21V 21/04

See application file for complete search history.

(56) **References Cited**

U.S. PATENT DOCUMENTS

D749,251 S * 2/2016 Nakahara D26/28
D757,967 S * 5/2016 Kim D26/28

D780,966 S * 3/2017 Binder D26/28
D851,295 S * 6/2019 Whang D26/28
D869,707 S * 12/2019 Wu D26/28
D887,600 S * 6/2020 Yun D26/35
D914,255 S * 3/2021 Hong D26/28
D914,933 S * 3/2021 Kim D26/28
D921,240 S * 6/2021 He D26/28
D921,247 S * 6/2021 Kim D26/28
D948,089 S * 4/2022 Sakaue D26/28
D950,794 S * 5/2022 Theis D26/28

* cited by examiner

Primary Examiner — Angela J Lee

(74) *Attorney, Agent, or Firm* — Rumit R. Kanakia

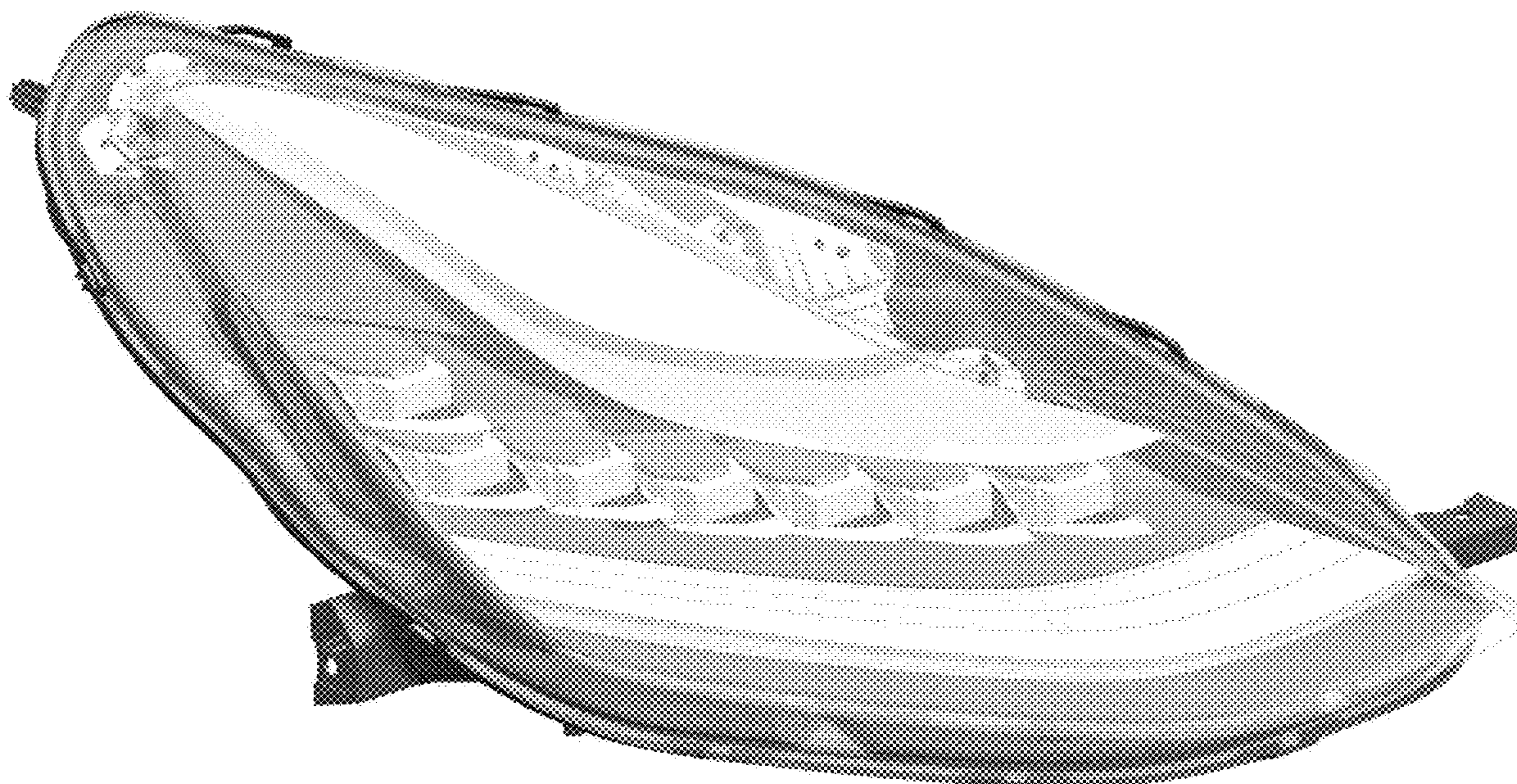
(57) **CLAIM**

The ornamental design for a car light, as shown and described.

DESCRIPTION

FIG. 1 is a perspective view of a car light showing my new design;
FIG. 2 is a front view thereof;
FIG. 3 is a back view thereof;
FIG. 4 is a left side view thereof;
FIG. 5 is a right side view thereof;
FIG. 6 is a top view thereof; and,
FIG. 7 is a bottom view thereof.

1 Claim, 7 Drawing Sheets



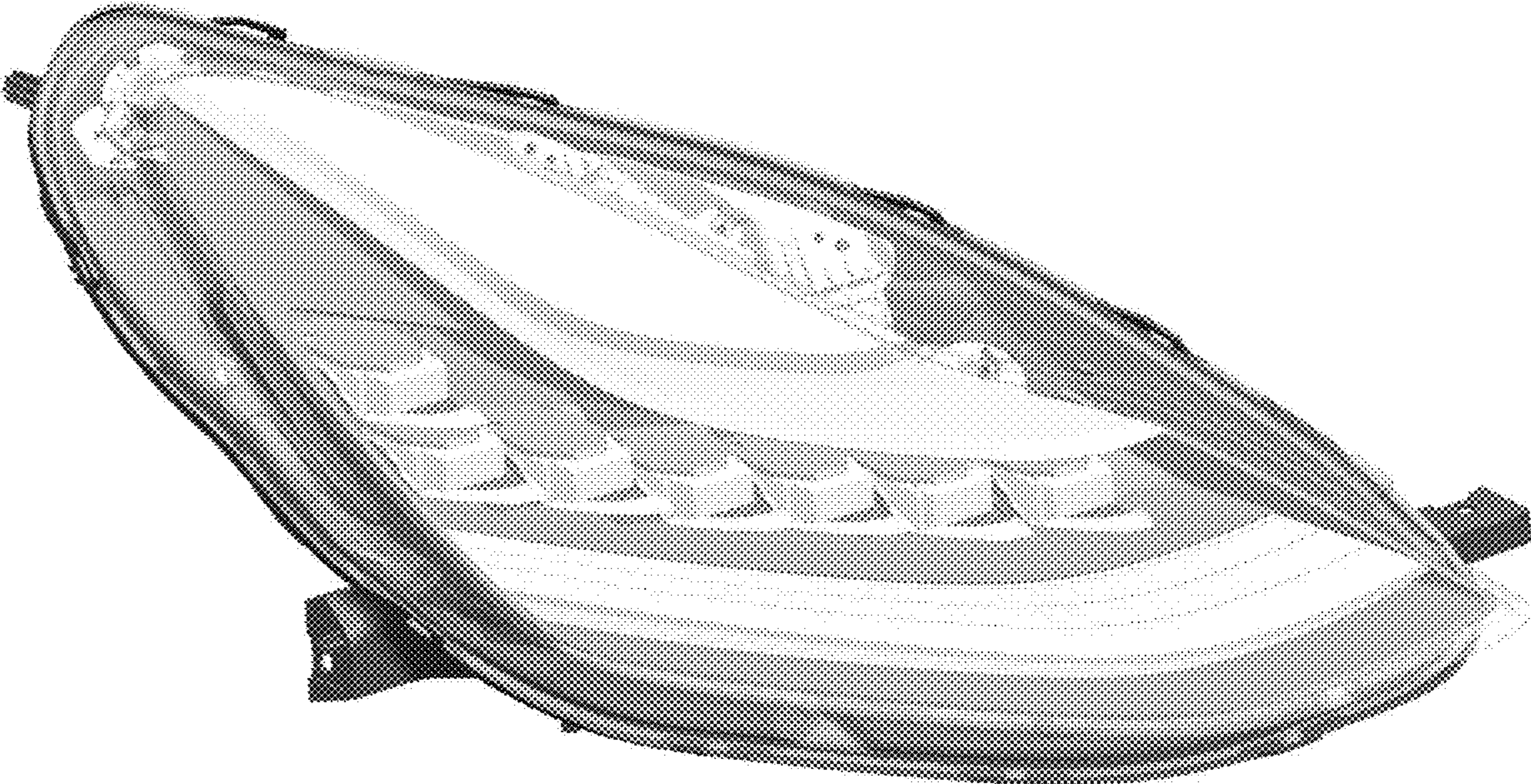


FIG. 1

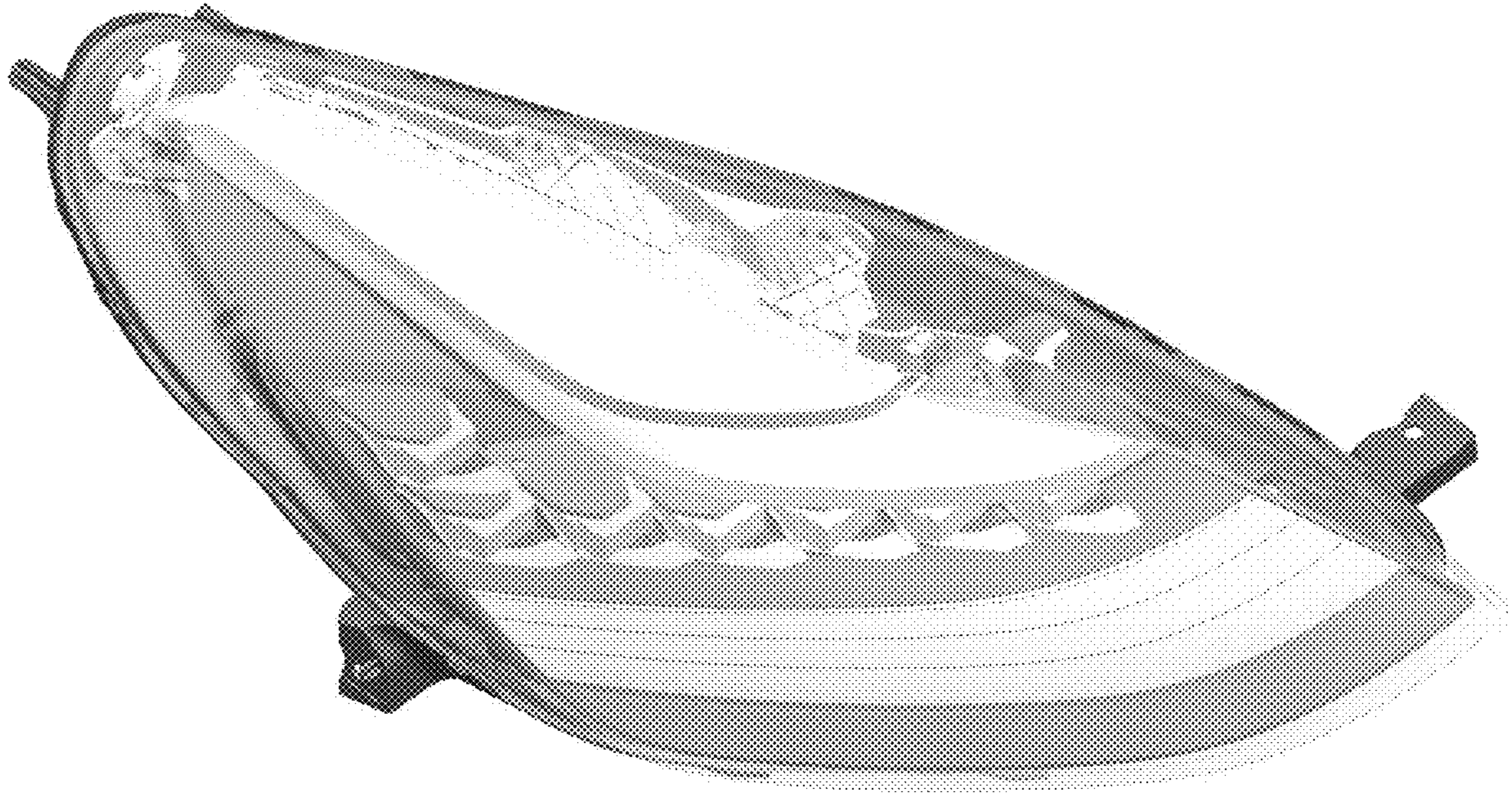


FIG. 2

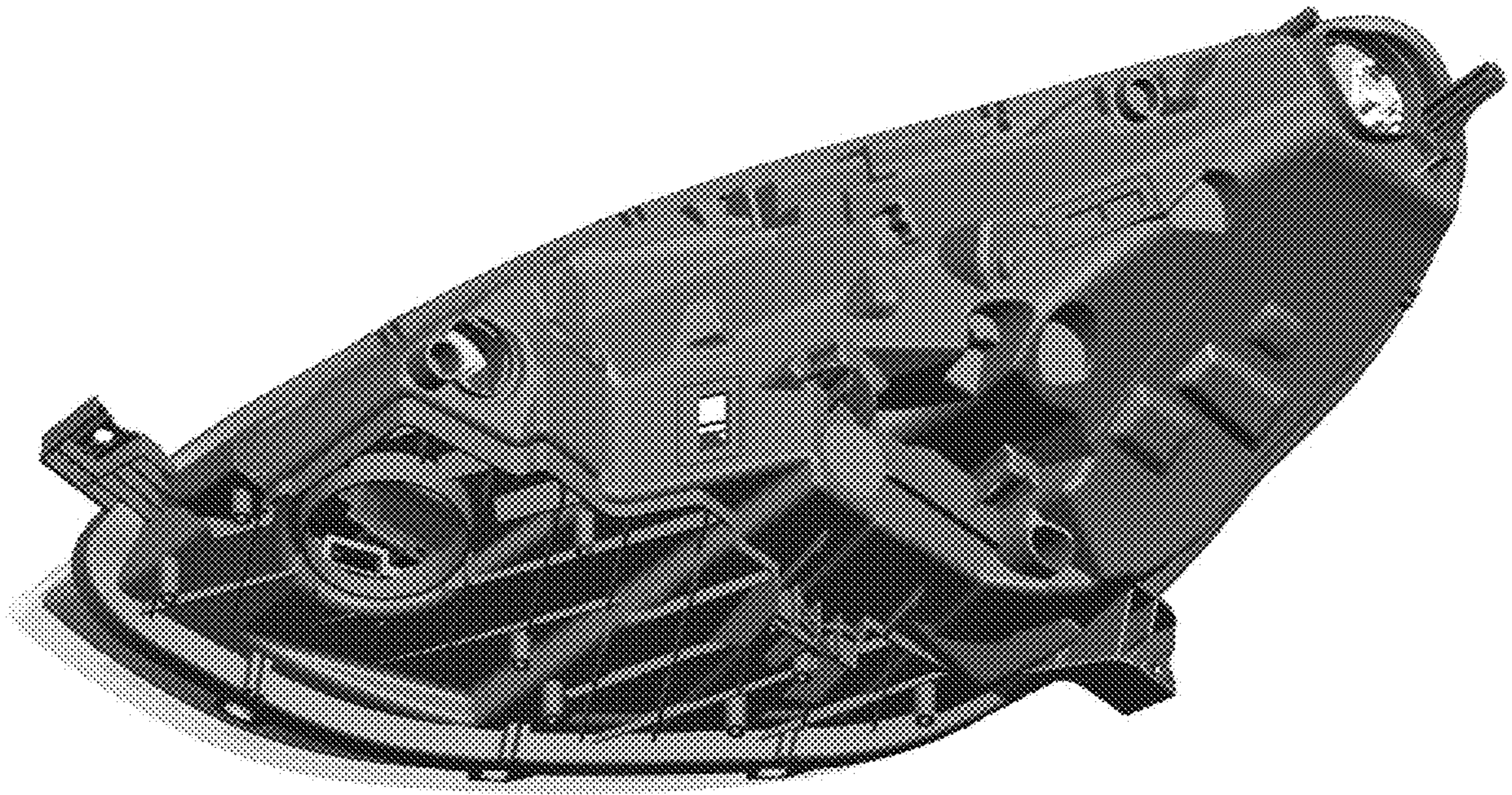


FIG. 3

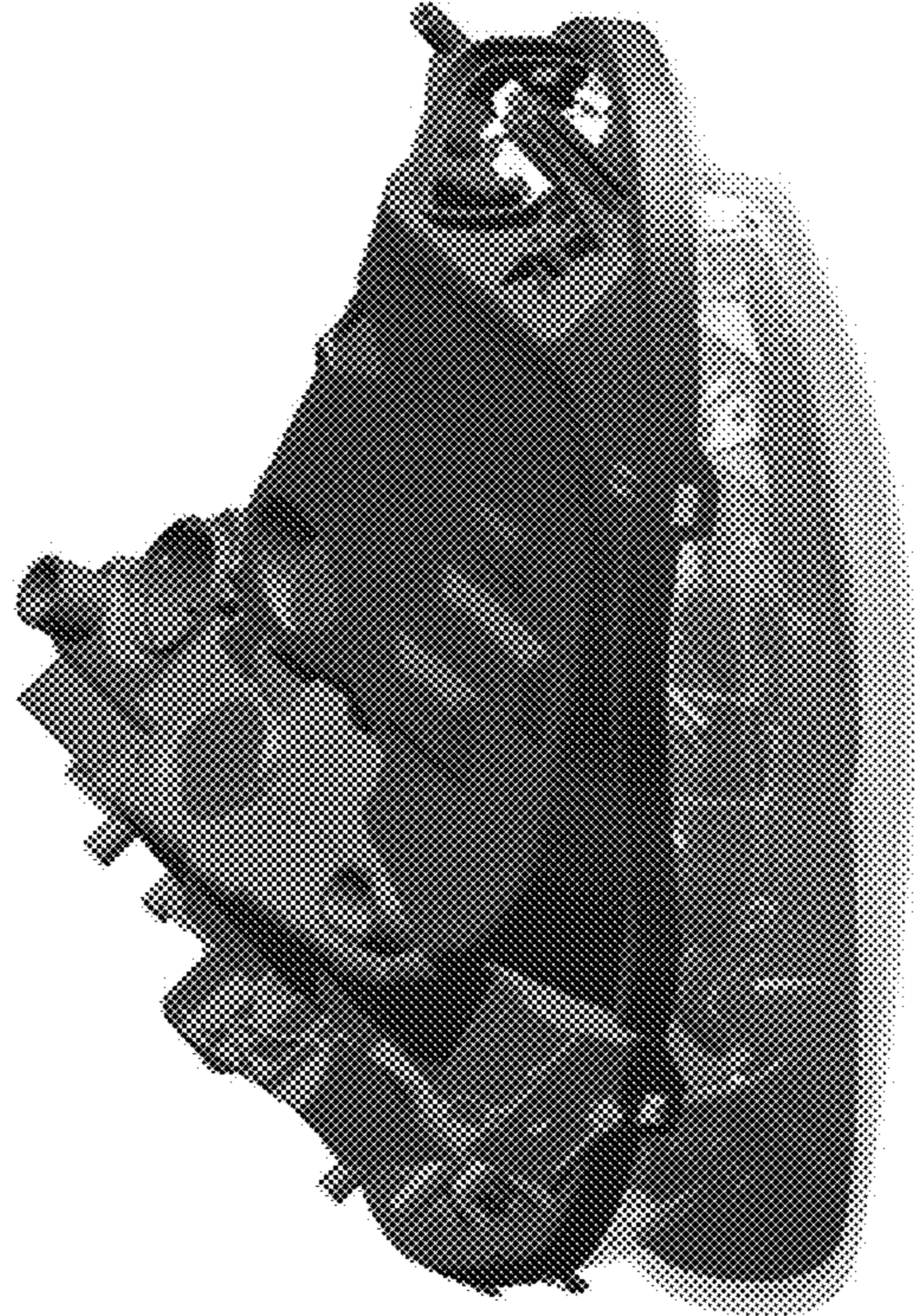


FIG. 4

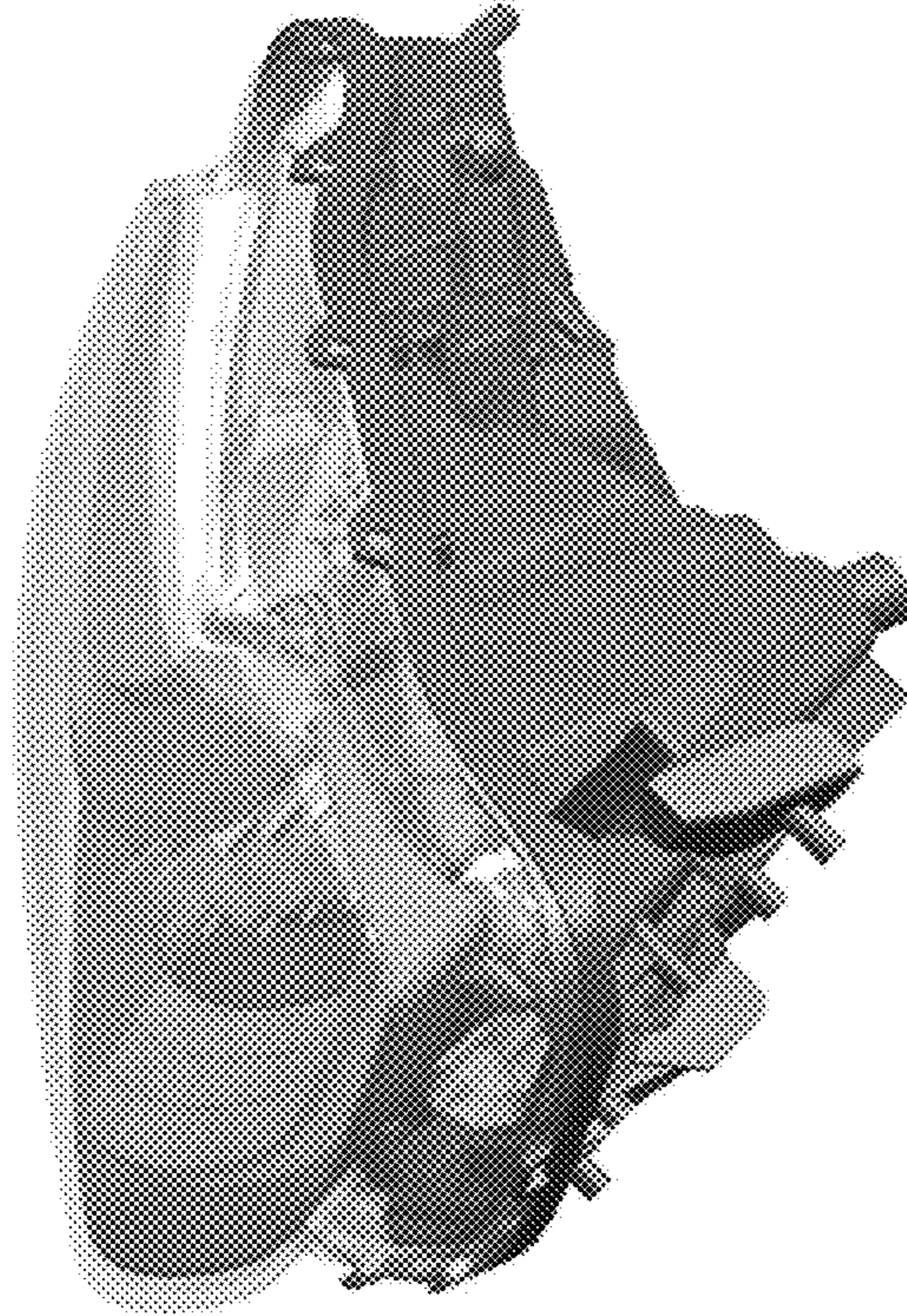


FIG. 5

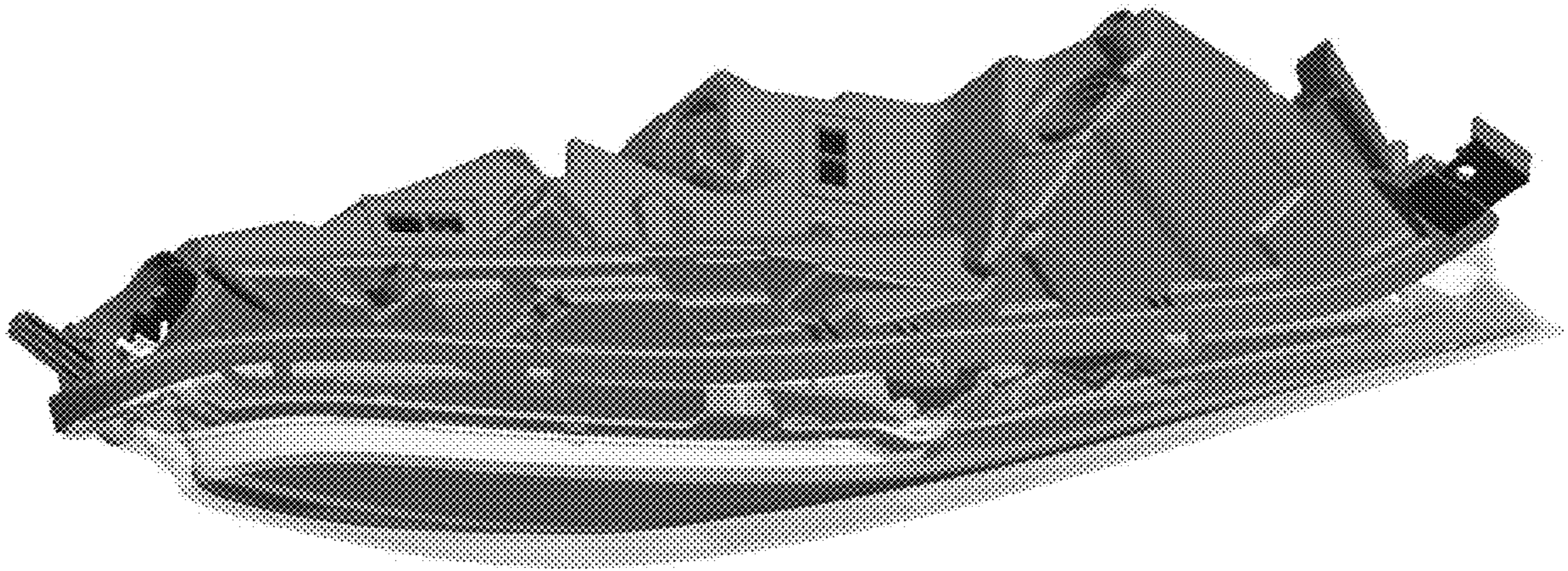


FIG. 6

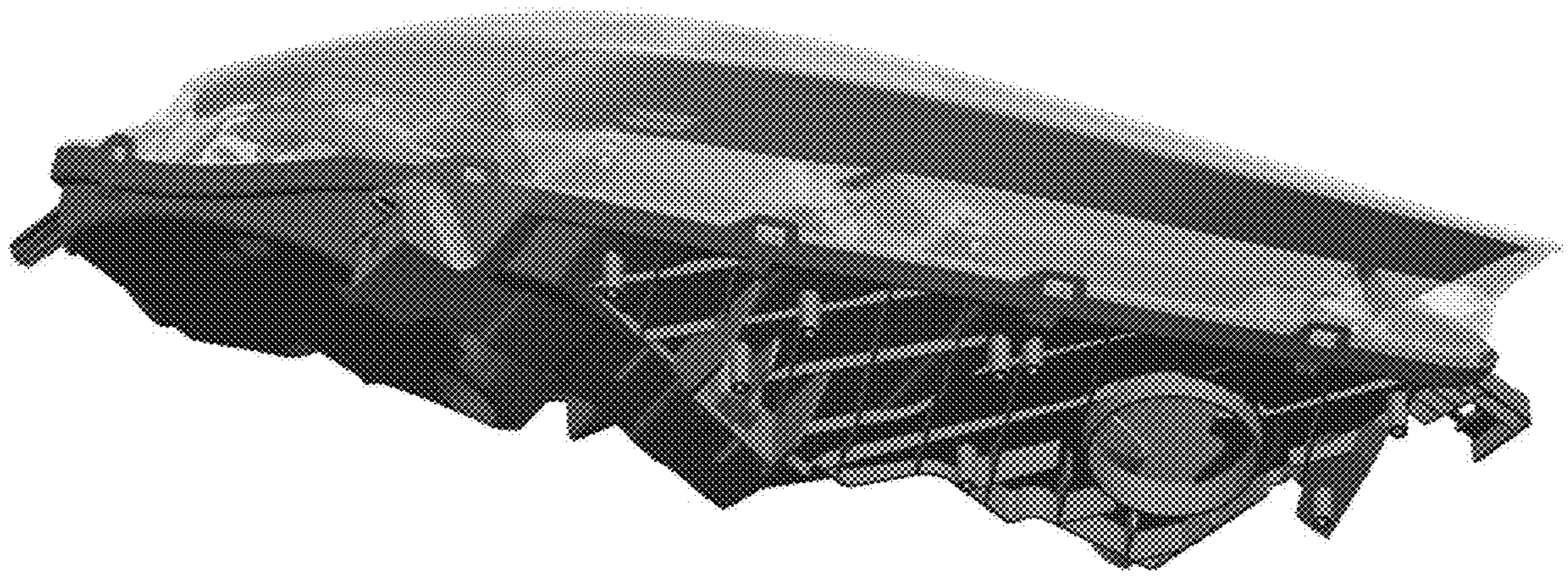


FIG. 7