



US00D977160S

(12) **United States Design Patent** (10) **Patent No.:** **US D977,160 S**
Lin (45) **Date of Patent:** **** Jan. 31, 2023**

(54) **AUTOMOBILE HEADLIGHT LENS**

(71) Applicant: **Chi-Chung Lin**, Hsinchu (TW)

(72) Inventor: **Chi-Chung Lin**, Hsinchu (TW)

(**) Term: **15 Years**

(21) Appl. No.: **29/755,118**

(22) Filed: **Oct. 16, 2020**

(51) **LOC (14) Cl.** **26-06**

(52) **U.S. Cl.**
USPC **D26/28**

(58) **Field of Classification Search**
USPC D26/24, 28, 34-36, 139; D12/190, 400,
D12/196

CPC B60Q 1/2615; B60Q 1/26; B60Q 1/2619;
B60Q 1/2607; B60Q 1/44; F21S 43/00;
F21S 43/10; F21S 43/13

See application file for complete search history.

(56) **References Cited**

U.S. PATENT DOCUMENTS

D406,910 S *	3/1999	Bangle	D26/28
D467,365 S *	12/2002	Tsai	D26/28
D735,917 S	8/2015	Grake et al.		
D770,085 S	10/2016	Platto et al.		
D843,030 S *	3/2019	Lee	D26/28
D847,392 S *	4/2019	Zipfel	D26/28
D890,371 S *	7/2020	Goodrich	D26/28
D896,406 S *	9/2020	Lin	D26/28
D896,410 S *	9/2020	He	D26/28
D897,013 S *	9/2020	Cheng	D26/28

FOREIGN PATENT DOCUMENTS

TW	95303142	*	1/2008
WO	WOD093255-001	*	4/2017

OTHER PUBLICATIONS

Autosaver88 LED DRL Projector Headlight Assembly, available in Amazon.com, date first available Jan. 29, 2019 [online], [site visited Jun. 1, 2022], Available from the internet URL: https://www.amazon.com/dp/B07N83R6PZ/ref=cm_sw_em_r_mt_dp_YTA6HV0KAW1R0RDWBJXX (Year: 2019).*

Acanii—Toyota Tundra 08-17 Sequoia LED Housing Projector Headlights, available in Amazon.com, date first available Apr. 22, 2019 [online], [site visited Jun. 1, 2022], Available from the internet URL: https://www.amazon.com/dp/B07R2PQCLD/ref=cm_sw_em_r_mt_dp_P5FW6X3YFT34DVDTVHG3?_encoding=UTF8&psc=1 (Year: 2019).*

* cited by examiner

Primary Examiner — Brett Miller

Assistant Examiner — Jasmine L. Comedy

(74) *Attorney, Agent, or Firm* — Alexander Chen, Esq.

(57) **CLAIM**

The ornamental design for an automobile headlight lens, as shown and described.

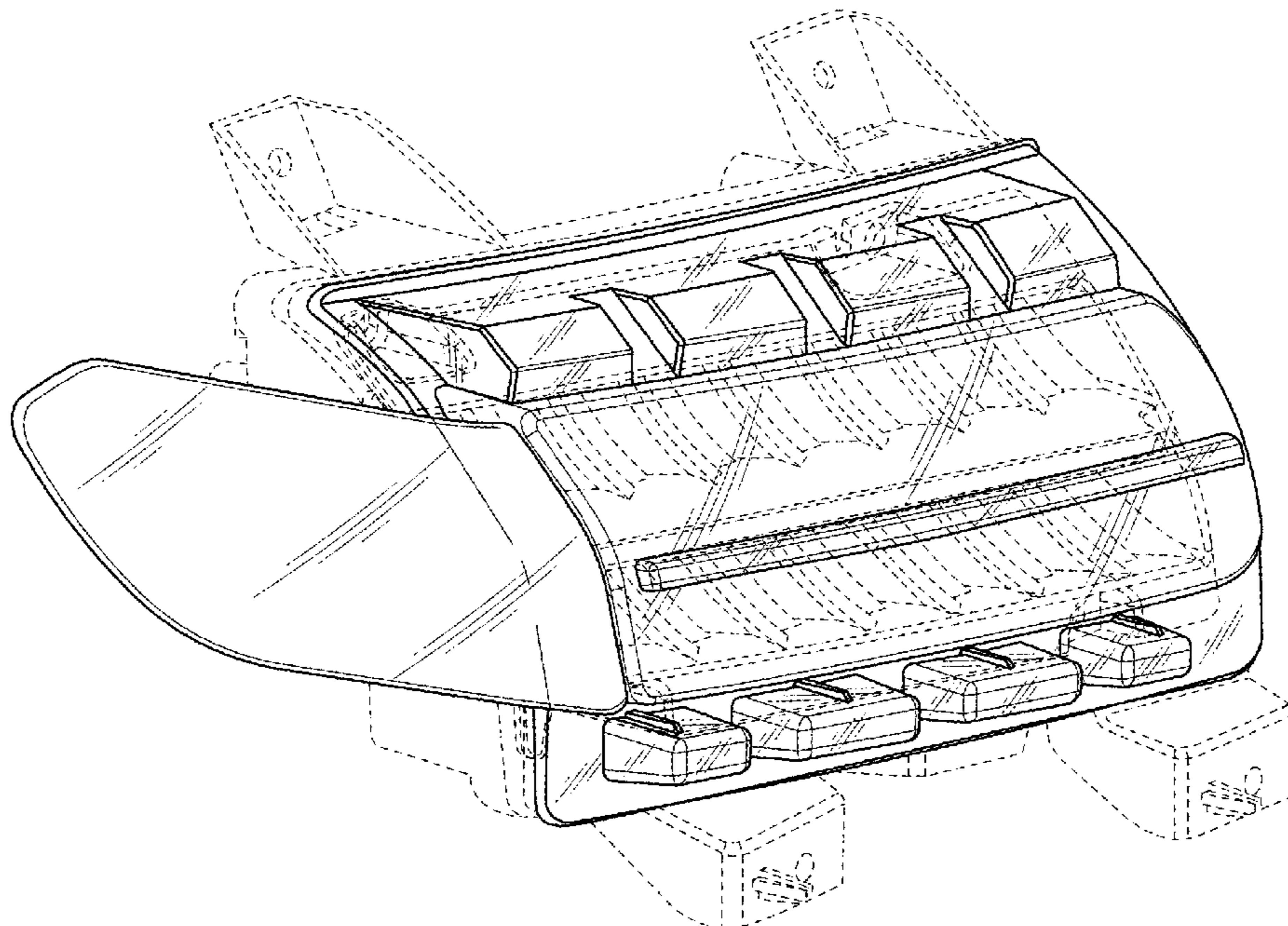
DESCRIPTION

FIG. 1 is a perspective view of an automobile headlight lens; FIG. 2 is a front view thereof; FIG. 3 is a side view thereof; FIG. 4 is a top view thereof; and, FIG. 5 is a bottom view thereof.

Any broken lines are included to show environmental structure and form no part of the claimed design.

The drawings and descriptions represent the left side embodiment. The claim is also for a mirror image right side embodiment.

1 Claim, 5 Drawing Sheets



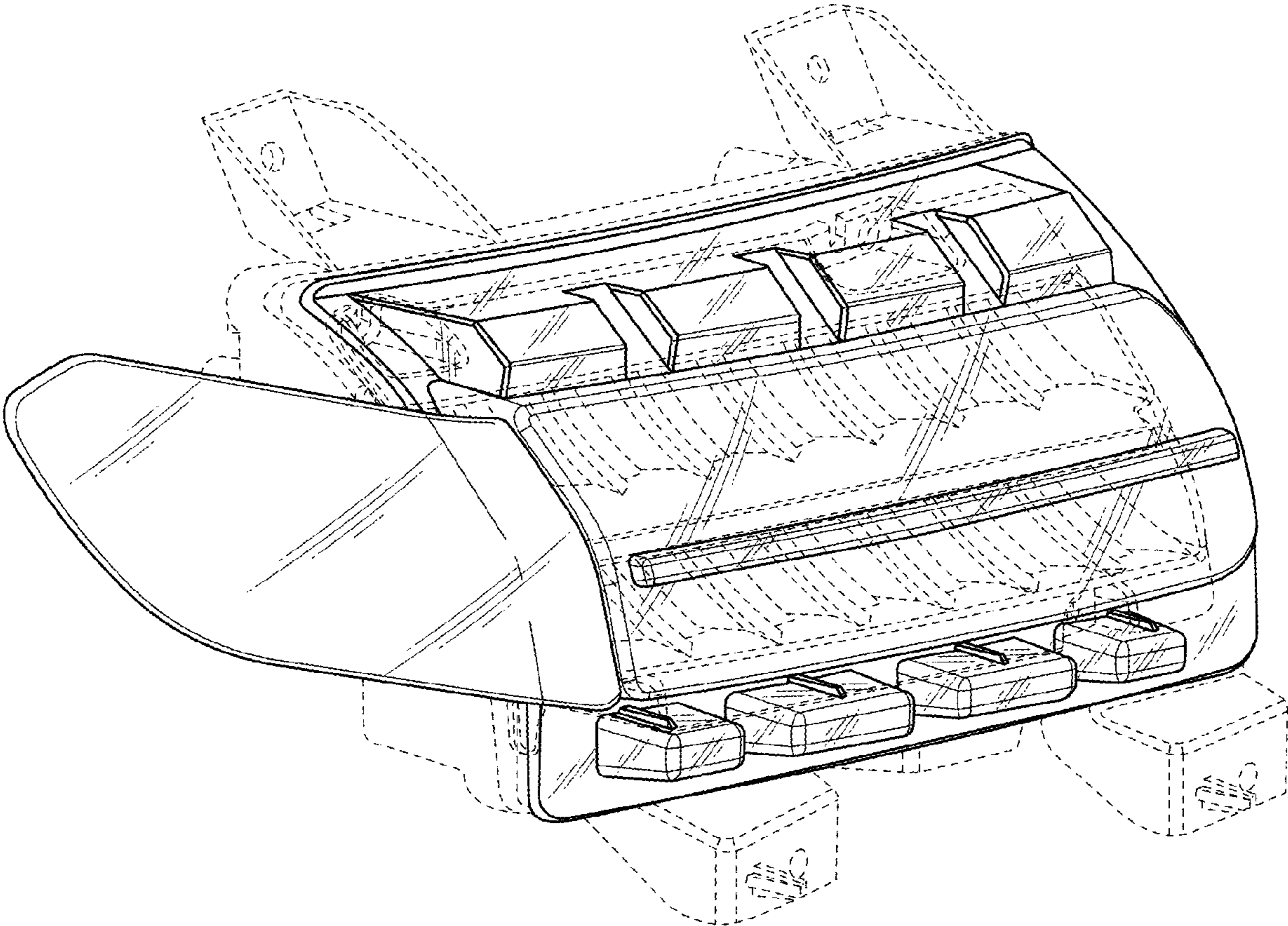


FIG. 1

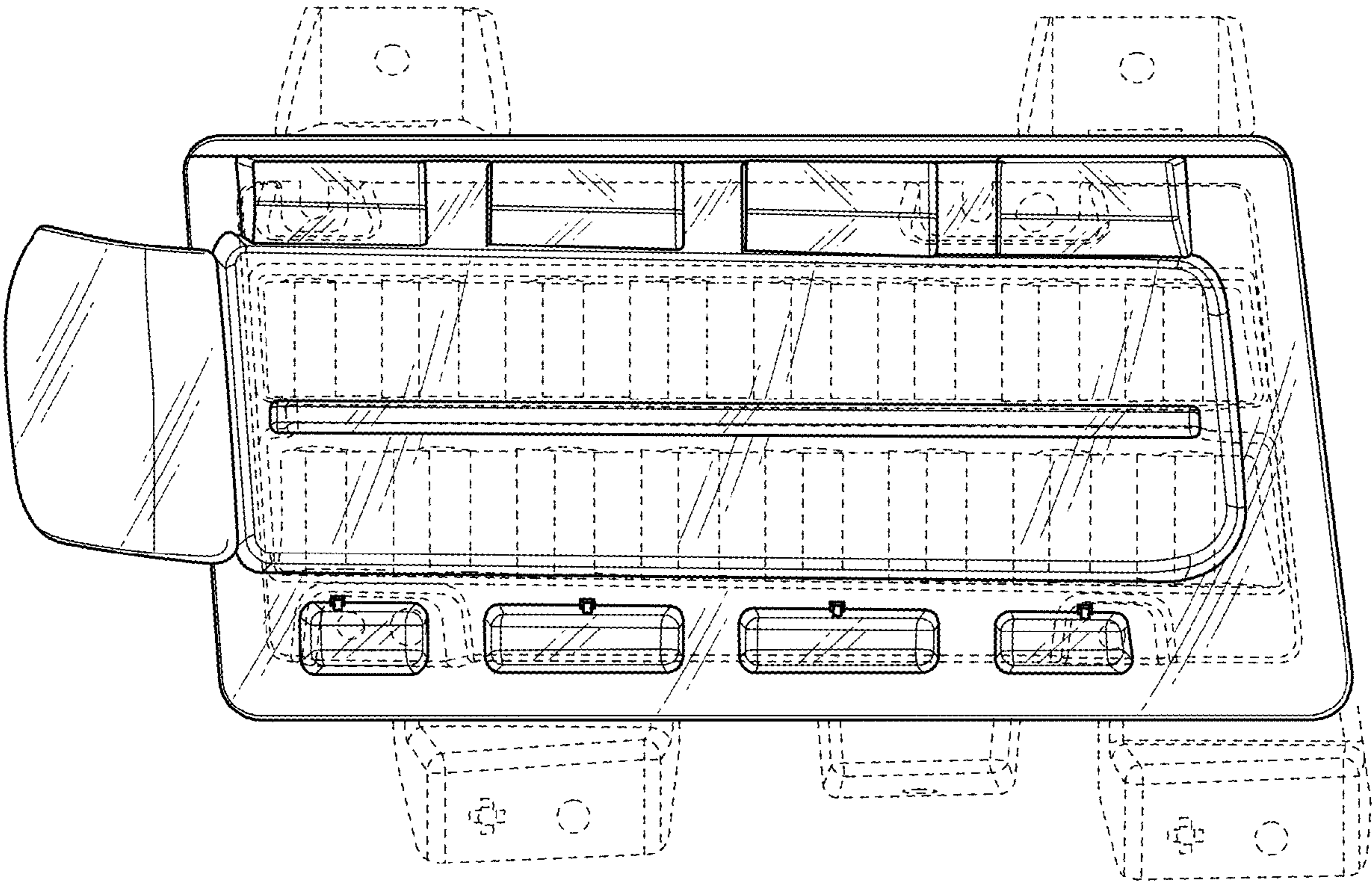


FIG. 2

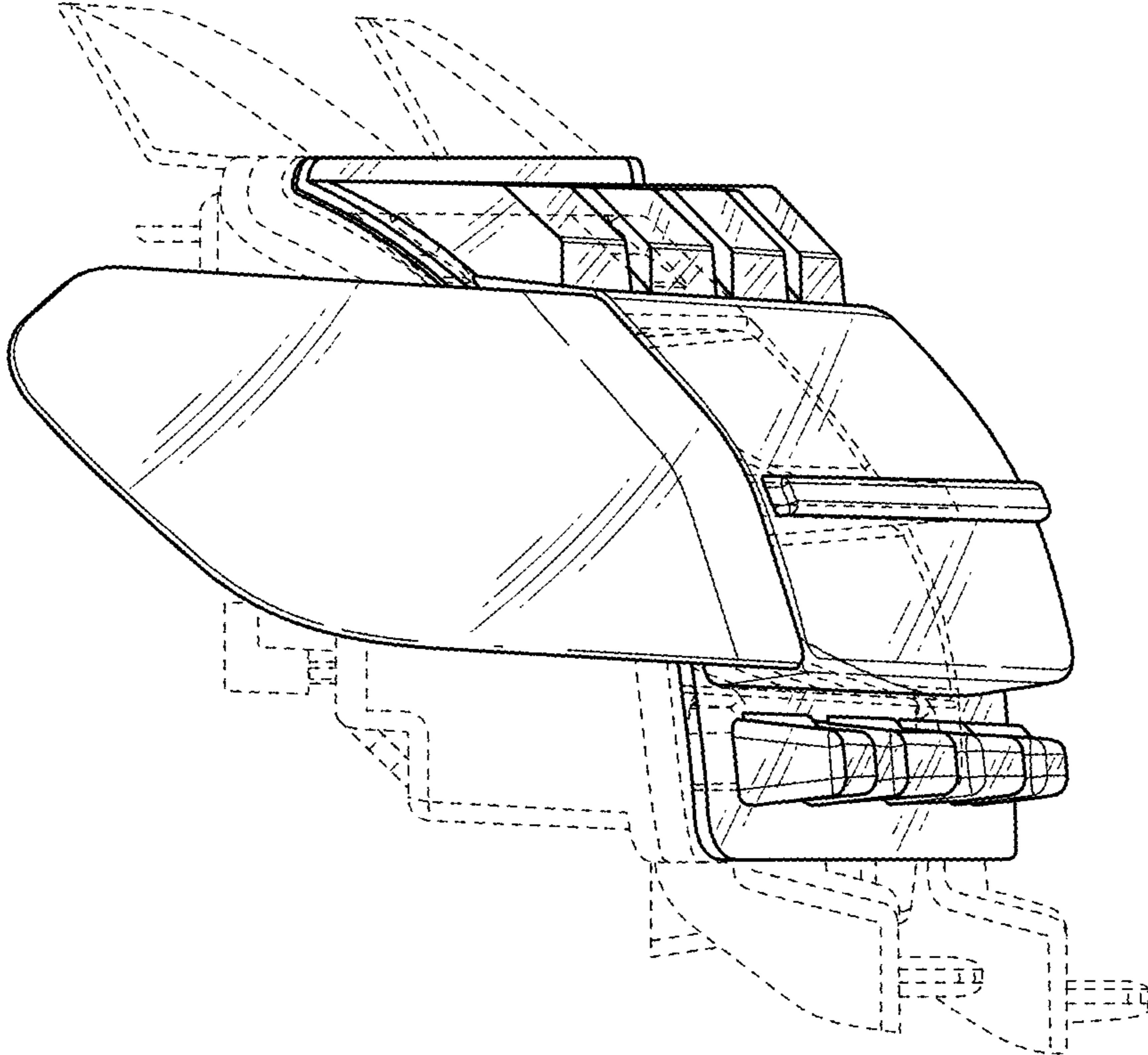


FIG. 3

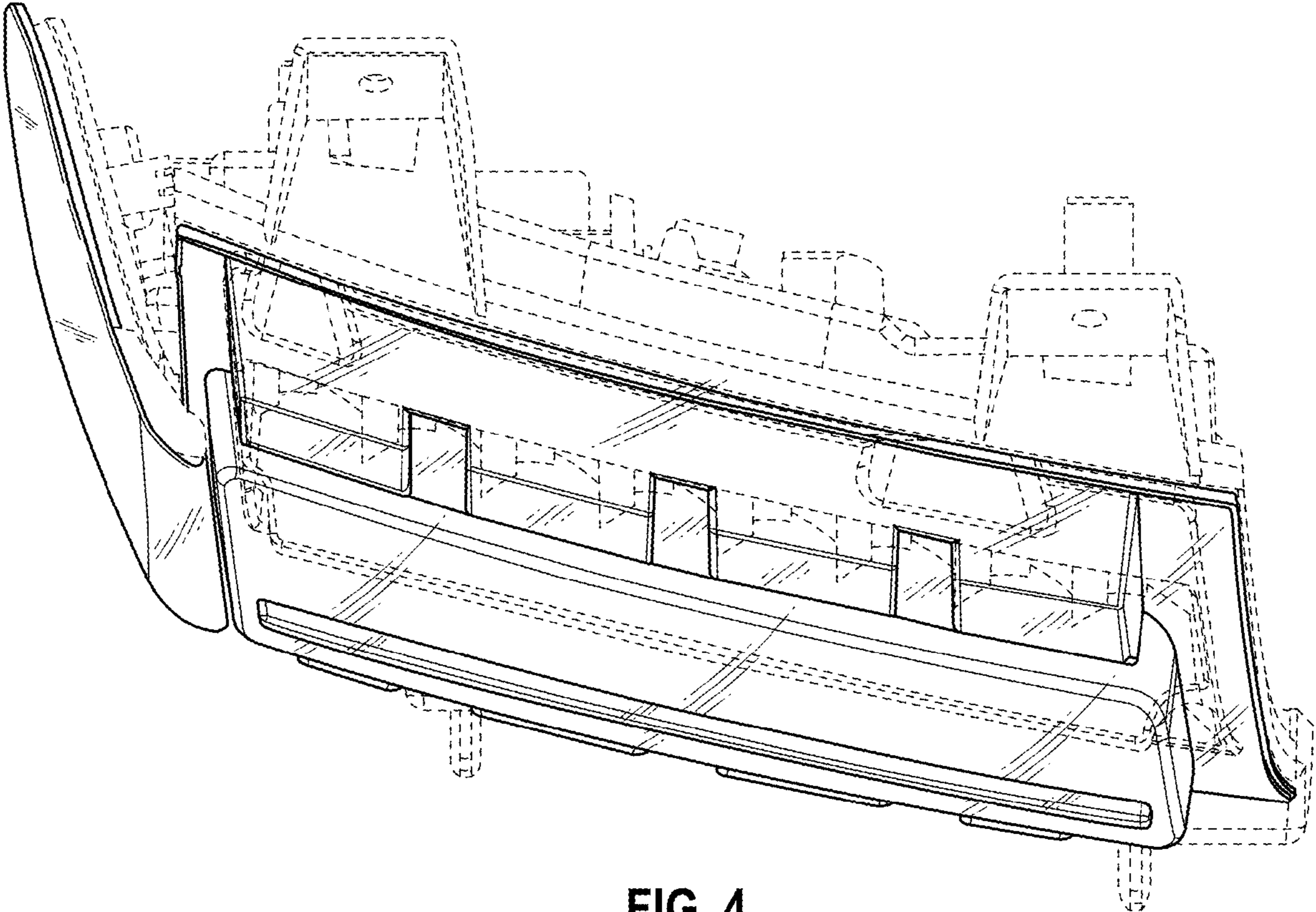


FIG. 4

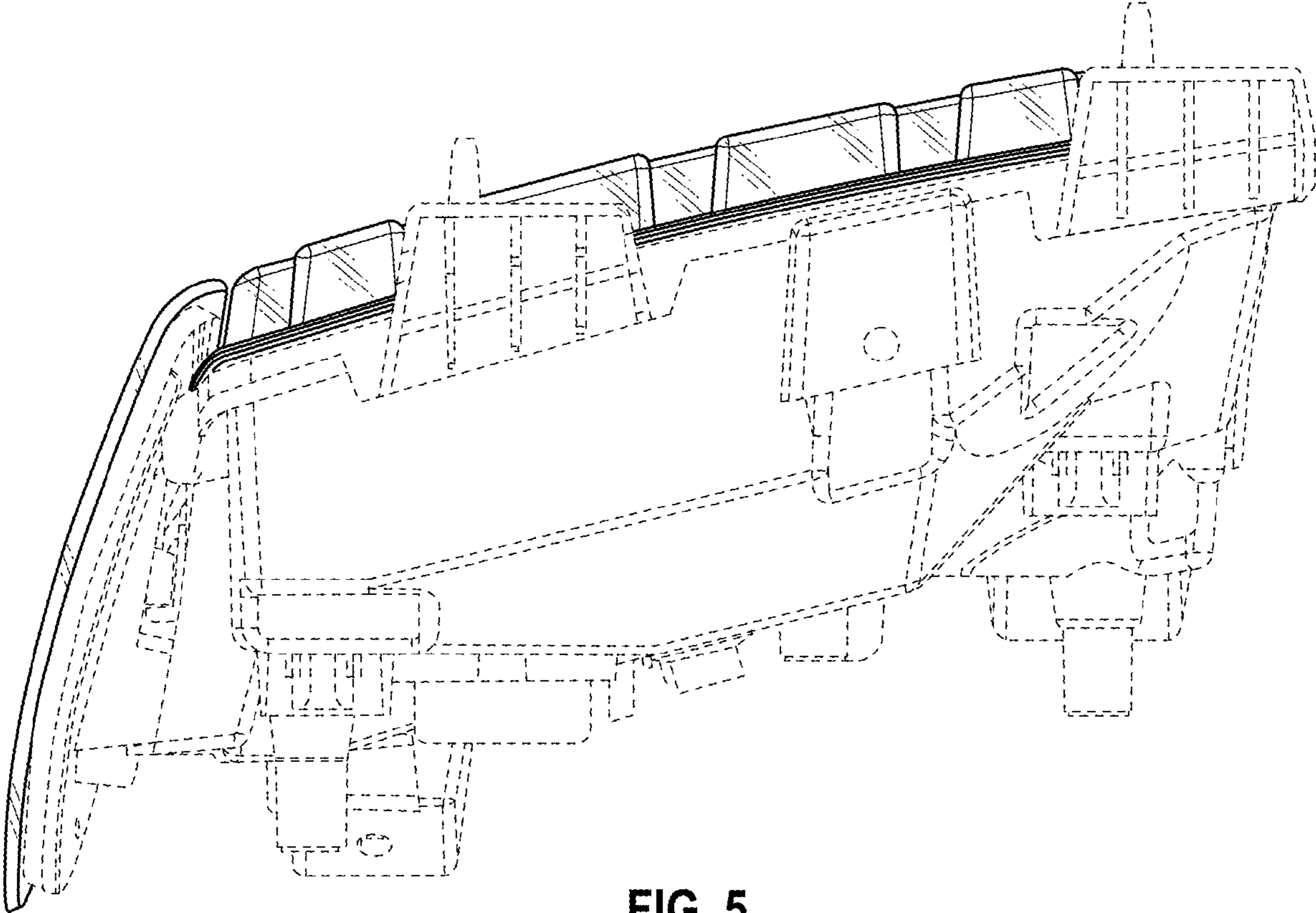


FIG. 5