



US00D977156S

(12) **United States Design Patent**
Shang

(10) **Patent No.:** **US D977,156 S**
(45) **Date of Patent:** **** Jan. 31, 2023**

(54) **STRING LIGHT**

(71) Applicant: **Jie Shang**, Maanshan (CN)
(72) Inventor: **Jie Shang**, Maanshan (CN)
(**) Term: **15 Years**

(21) Appl. No.: **29/804,023**

(22) Filed: **Aug. 17, 2021**

(51) **LOC (14) Cl.** **26-04**

(52) **U.S. Cl.**
USPC **D26/25**

(58) **Field of Classification Search**

USPC D26/1-2, 4, 24-25, 27, 51-52, 60-61,
D26/63, 65, 68, 113, 138
CPC F21Y 2115/10; F21Y 2103/10; F21Y
2113/13; F21Y 2101/00; F21Y 2113/10;
F21W 2121/00; F21W 2121/04; F21W
2121/004; F21W 2131/10; F21W
2121/006; F21W 2131/109; F21V 23/001
See application file for complete search history.

(56) **References Cited**

U.S. PATENT DOCUMENTS

D498,171 S	11/2004	Webster	
D642,289 S *	7/2011	Kleene	D26/1
D778,468 S	2/2017	van der Lande	
D889,696 S *	7/2020	Cao	D26/25
D908,256 S *	1/2021	Zhou	D26/25
D938,614 S *	12/2021	Qu	D25/25
D941,507 S *	1/2022	Du	D26/25
D953,585 S *	5/2022	Lin	D26/25
2015/0077998 A1 *	3/2015	Zhang	F21V 23/06 362/249.04

OTHER PUBLICATIONS

JMEXSUSS 200 LED String Lights. By JMEXSUSS. Dated Mar. 10, 2021. Found online [Aug. 1, 2022]. <https://www.amazon.com/JMEXSUSS-Outdoor-Connectable-Christmas-Waterproof/dp/B08YJG78VS> (Year: 2021).*
Twinkle Star 66ft 200 LED Indoor String Lights. By Twinkle Star. Dated Jul. 17, 2018. Found online [Aug. 1, 2022]. <https://www.amazon.com/Twinkle-Star-Waterproof-Decoration-Extendable/dp/B07G149PT6> (Year: 2018).*

* cited by examiner

Primary Examiner — Marissa J Cash
Assistant Examiner — William B Melliar

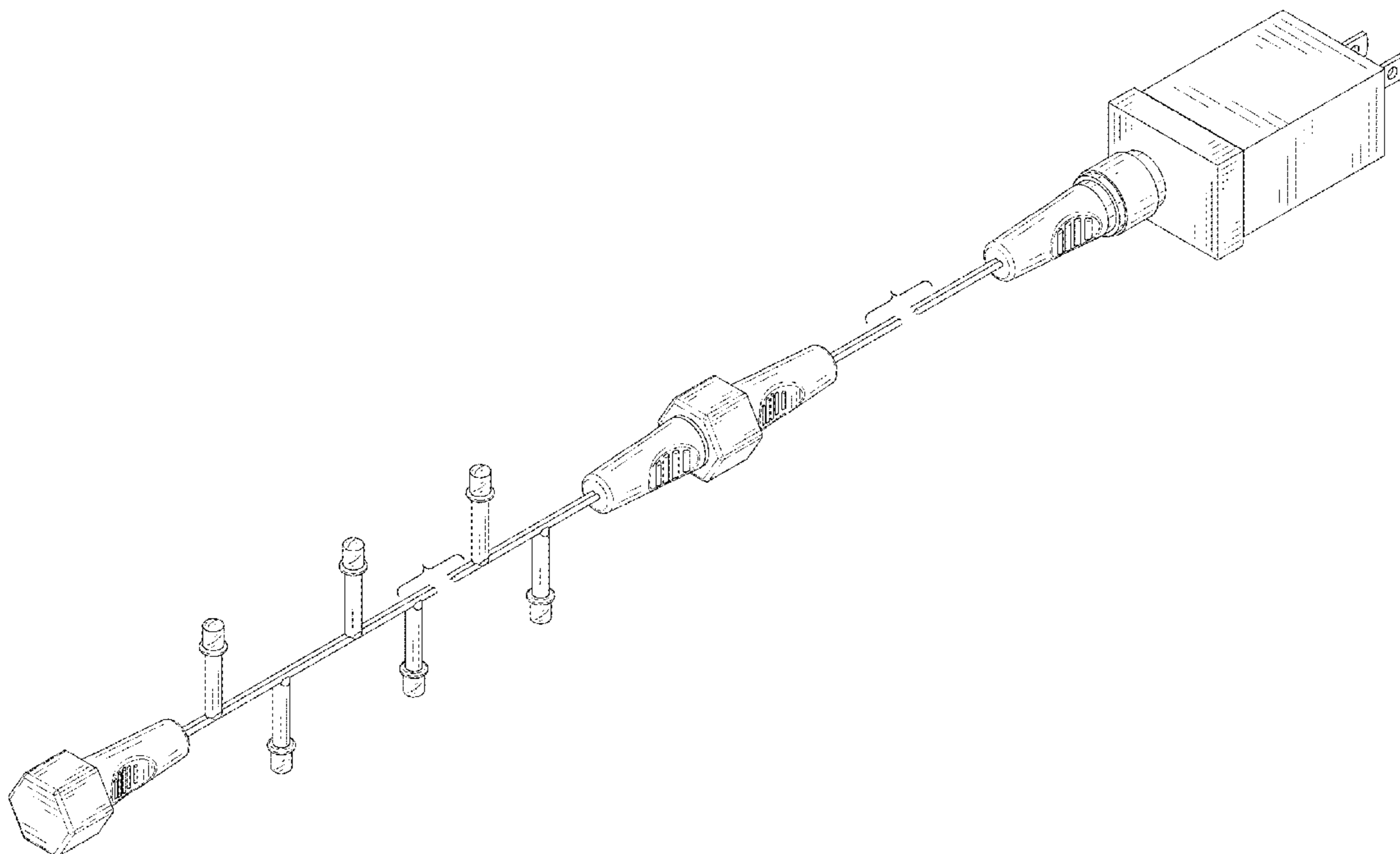
(57) **CLAIM**

The ornamental design for a string light, as shown and described.

DESCRIPTION

FIG. 1 is a perspective view of a string light showing my new design;
FIG. 2 is another perspective view thereof;
FIG. 3 is a front elevational view thereof;
FIG. 4 is a rear elevational view thereof;
FIG. 5 is a top plan view thereof;
FIG. 6 is a bottom plan view thereof;
FIG. 7 is a left side elevational view thereof; and,
FIG. 8 is a right side elevational view thereof.
The broken lines in the drawings depict the bounds of the claimed design. The string light is shown with a symbolic break in its length. The appearance of any portion of the string light between the break lines and the boundary lines form no part of the claimed design.

1 Claim, 8 Drawing Sheets



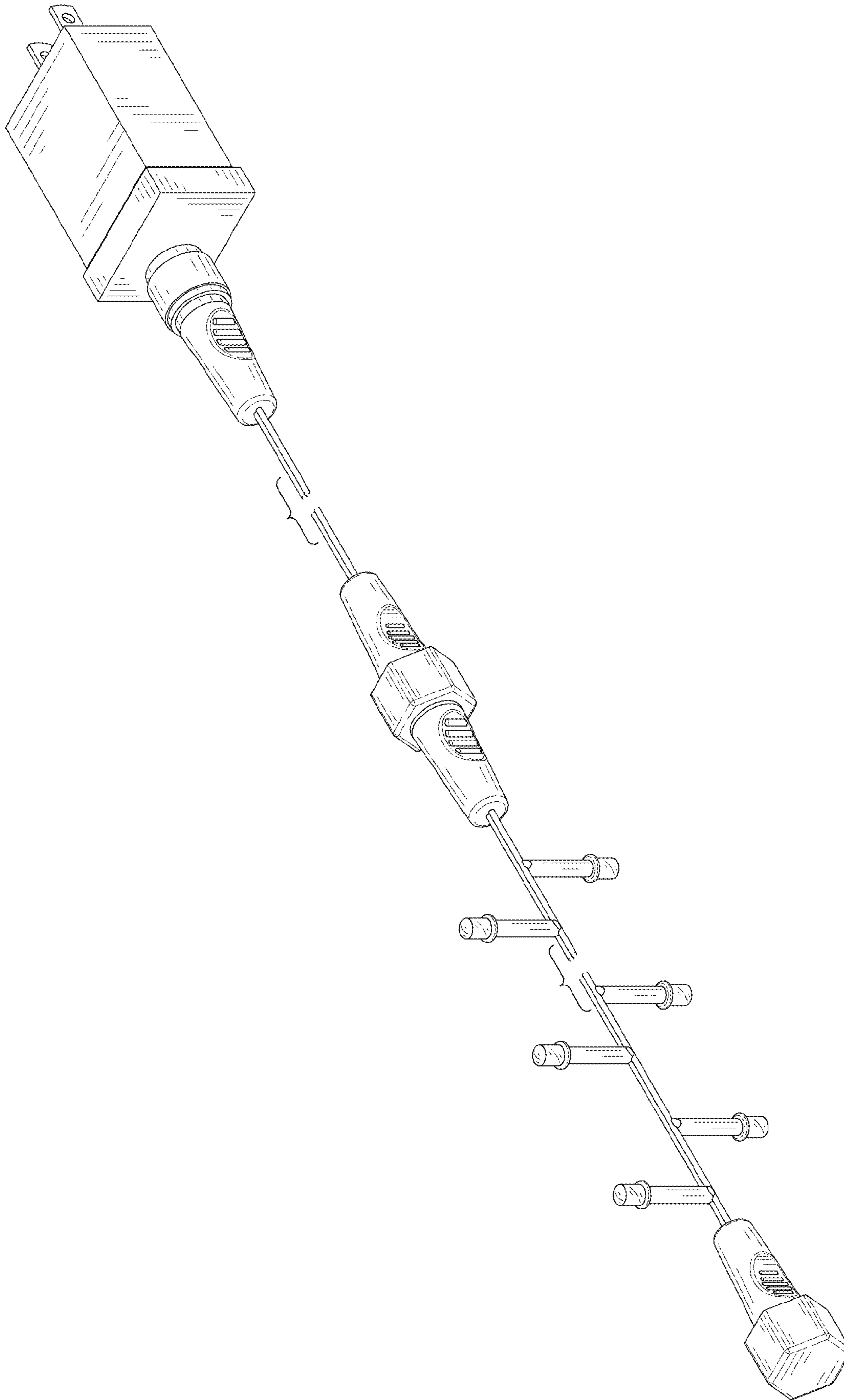


FIG. 1

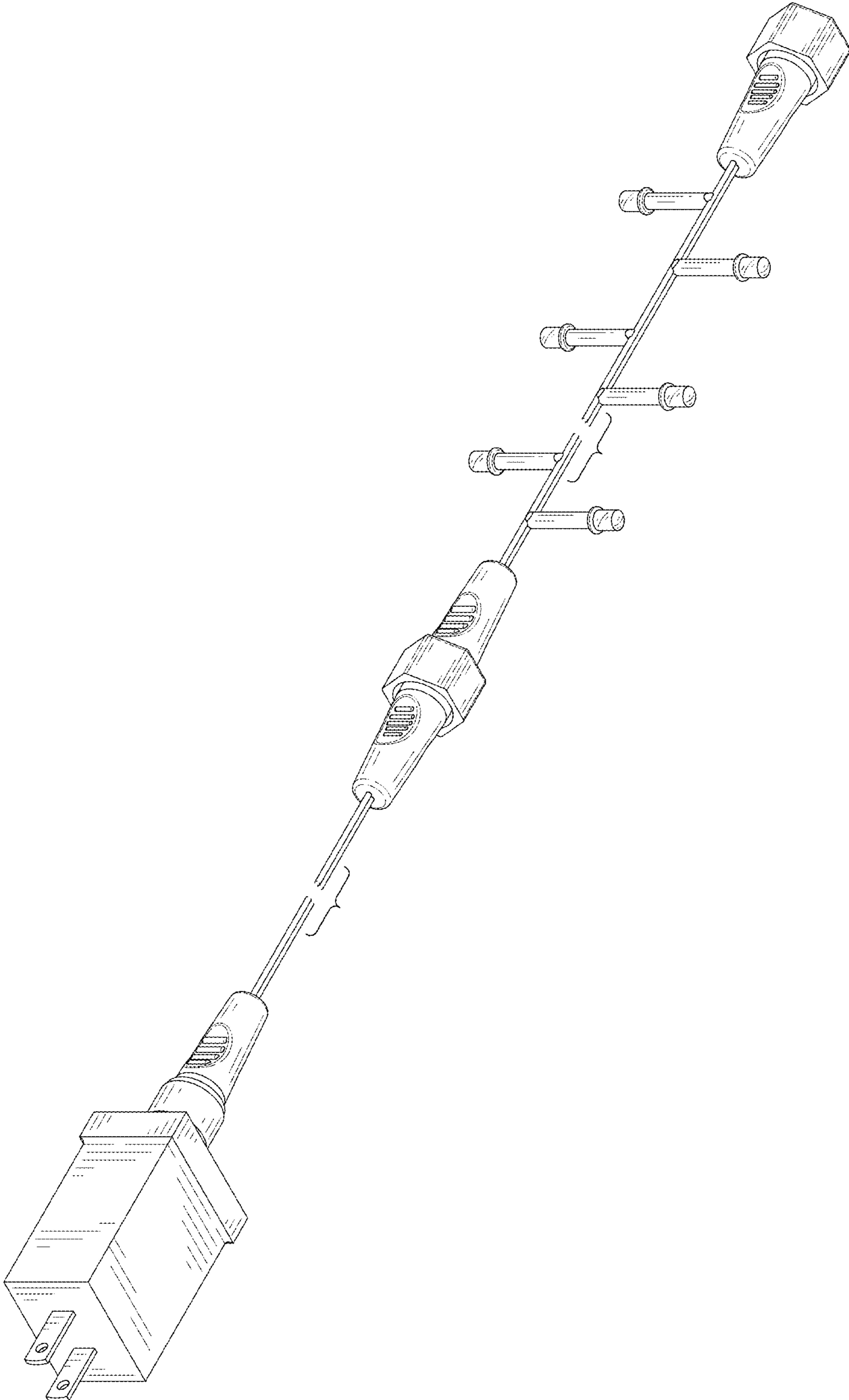


FIG. 2

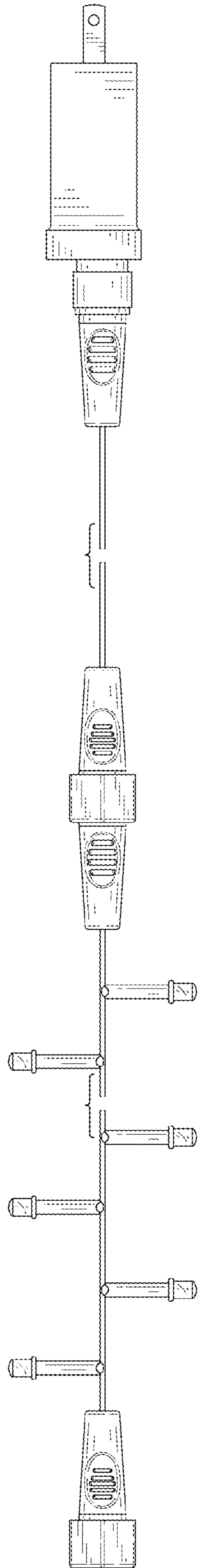


FIG. 3

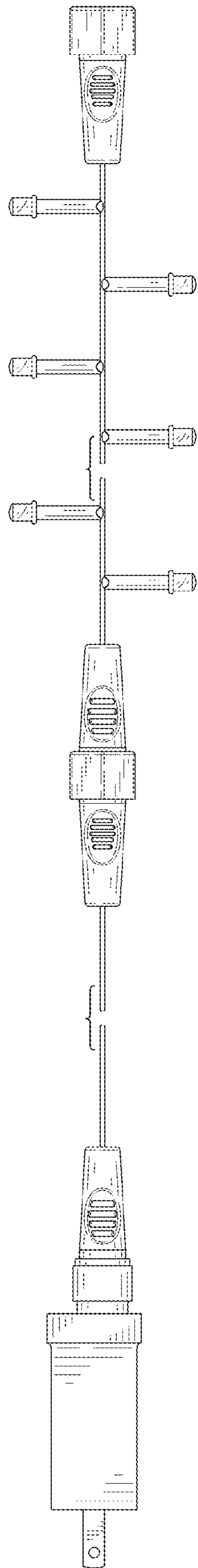


FIG. 4

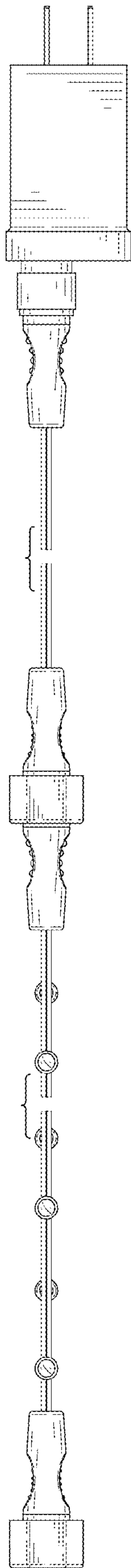


FIG. 5

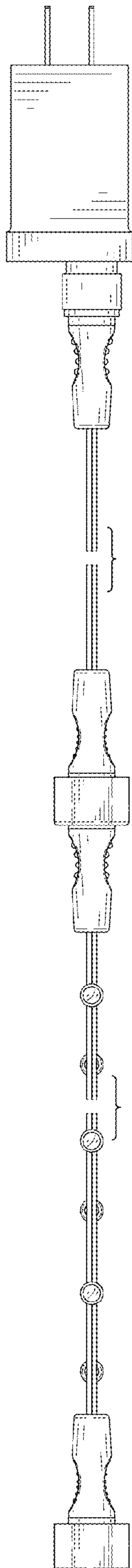


FIG. 6

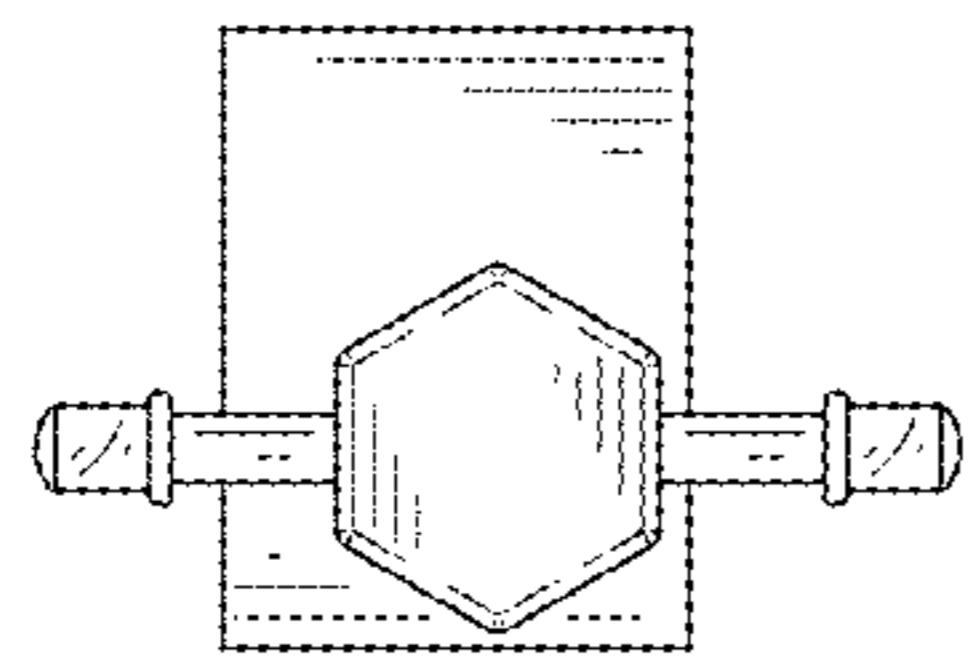


FIG. 7

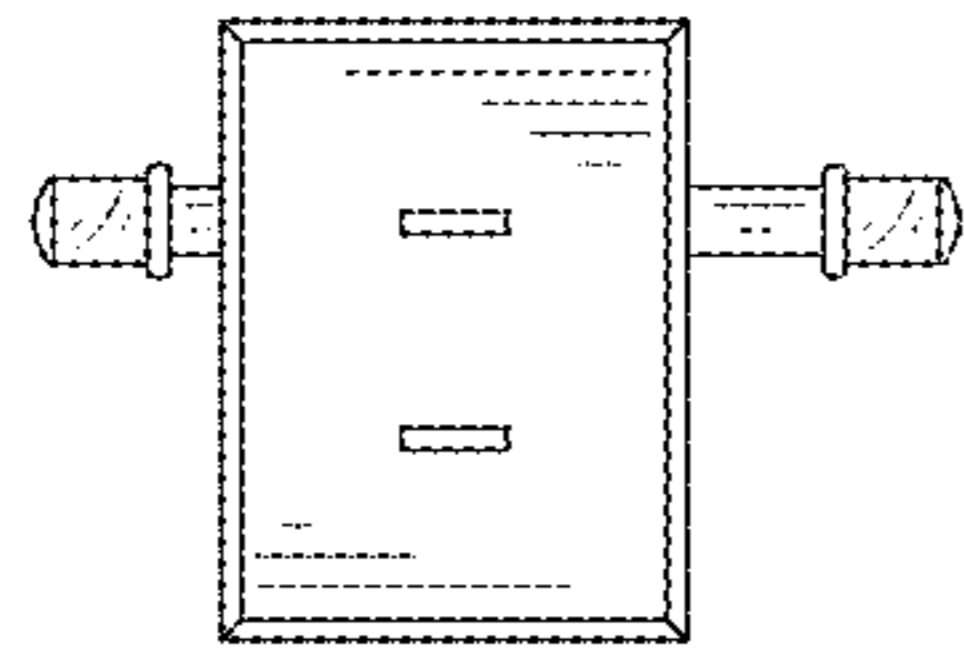


FIG. 8