



US00D977155S

(12) **United States Design Patent**
Liang

(10) **Patent No.:** **US D977,155 S**
(45) **Date of Patent:** **** Jan. 31, 2023**

(54) **LAMP BEAD**

(71) Applicant: **TAIZHOU XIANGCHENG OPTOELECTRONICS TECHNOLOGY CO., LTD.**, Taizhou (CN)

(72) Inventor: **Huan Liang**, Shangqiu (CN)

(73) Assignee: **TAIZHOU XIANGCHENG OPTOELECTRONICS TECHNOLOGY CO., LTD.**, Taizhou (CN)

(**) Term: **15 Years**

(21) Appl. No.: **29/807,663**

(22) Filed: **Sep. 14, 2021**

(51) **LOC (14) Cl.** **26-04**

(52) **U.S. Cl.**
USPC **D26/1**

(58) **Field of Classification Search**
USPC D26/1-4, 24-25, 113, 138
CPC F21Y 2115/10; F21Y 2103/10; F21Y 2109/00; F21Y 2107/00; F21K 9/232; F21K 9/238; F21K 9/23; F21K 9/237
See application file for complete search history.

(56) **References Cited**

U.S. PATENT DOCUMENTS

D763,472 S * 8/2016 Watson-Levack D26/1
D841,876 S * 2/2019 Huang D26/138

D863,606 S * 10/2019 Ou D26/1
D888,293 S * 6/2020 Xie D26/1
D932,669 S * 10/2021 Zhao D26/25
D947,418 S * 3/2022 He D26/1
D947,419 S * 3/2022 He D26/1
D948,084 S * 4/2022 He D26/1

* cited by examiner

Primary Examiner — Marissa J Cash

Assistant Examiner — William B Melliar

(74) *Attorney, Agent, or Firm* — Nitin Kaushik

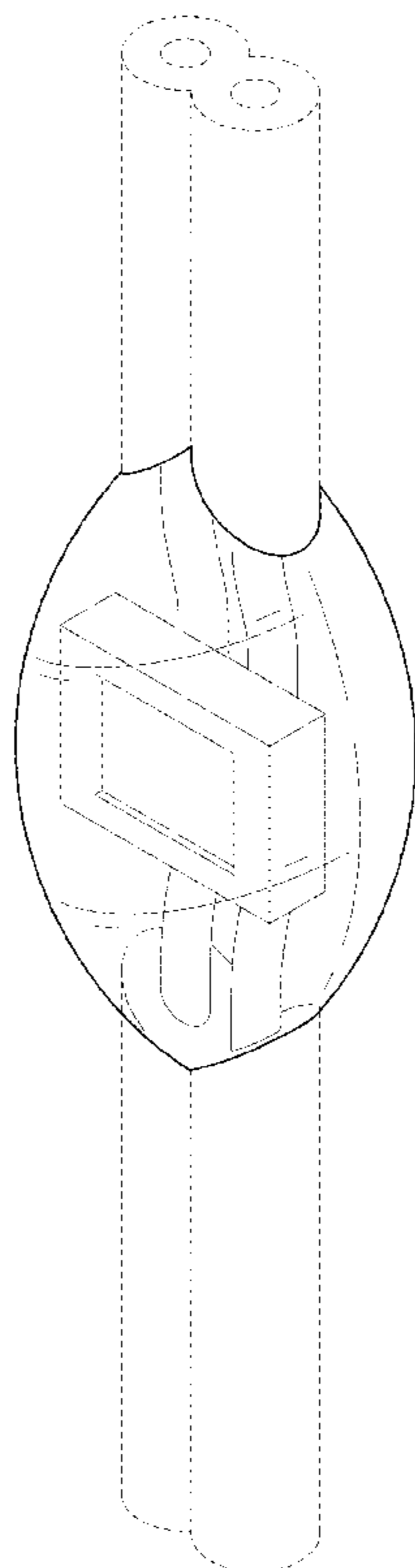
(57) **CLAIM**

The ornamental design for a lamp bead, as shown and described.

DESCRIPTION

FIG. 1 is a perspective view of a lamp bead showing my new design;
FIG. 2 is another perspective view thereof;
FIG. 3 is a front elevational view thereof;
FIG. 4 is a rear elevational view thereof;
FIG. 5 is a left side elevational view thereof;
FIG. 6 is a right side elevational view thereof;
FIG. 7 is a top plan view thereof; and,
FIG. 8 is a bottom plan view thereof.
The broken lines in the drawings depict portions of the lamp bead that form no part of the claimed design.

1 Claim, 8 Drawing Sheets



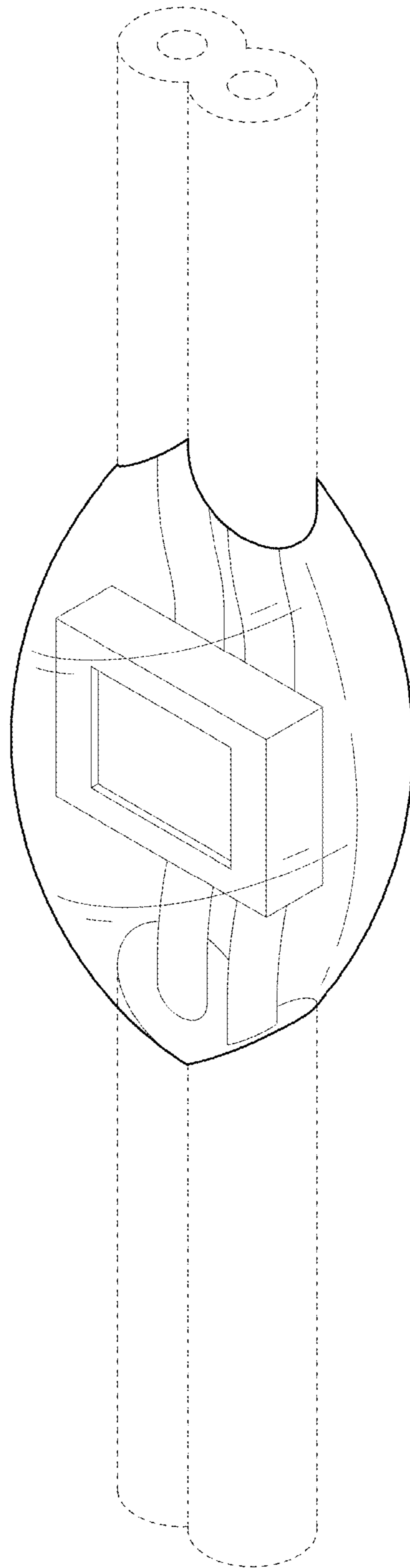


FIG. 1

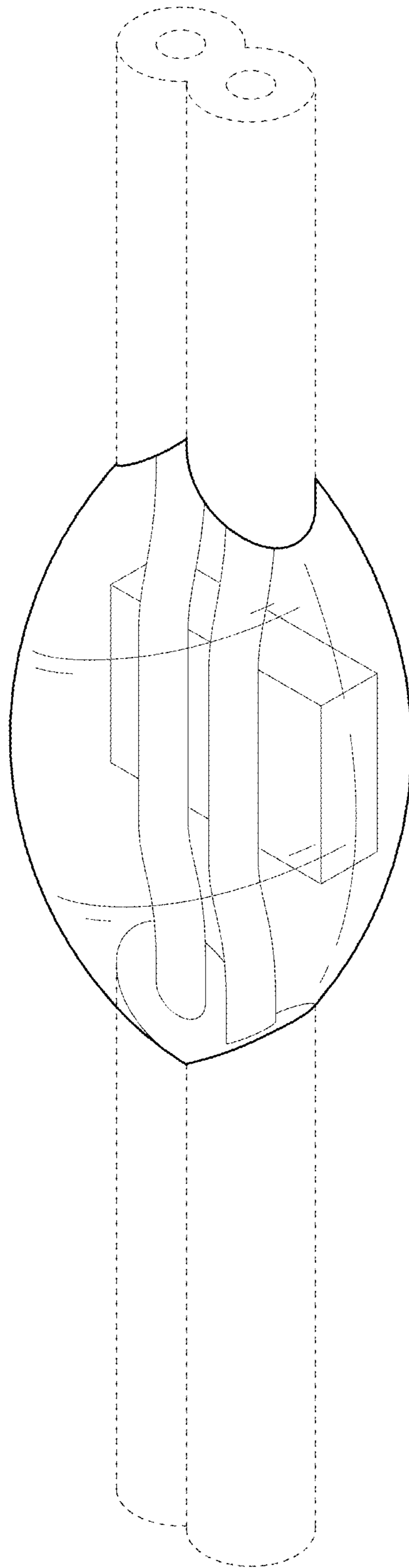


FIG. 2

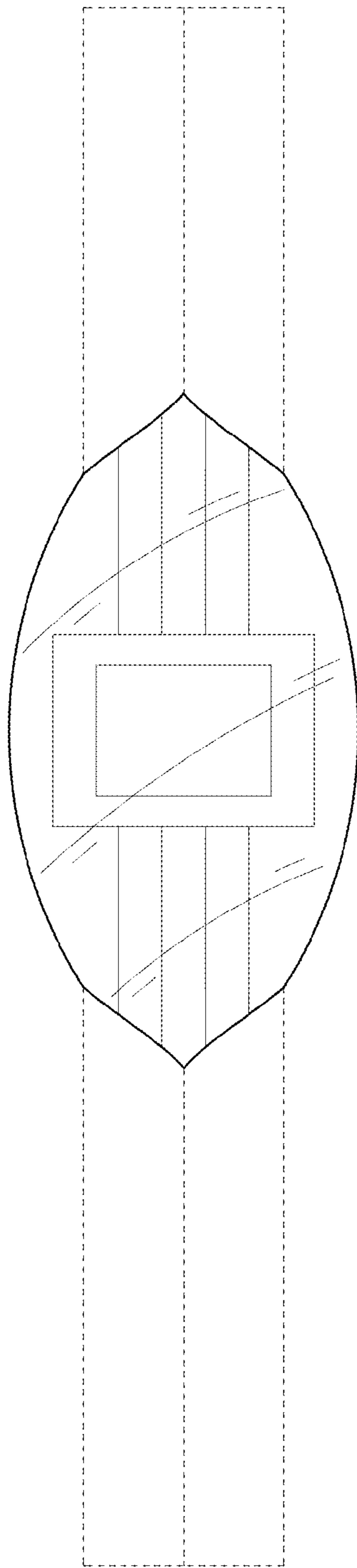


FIG. 3

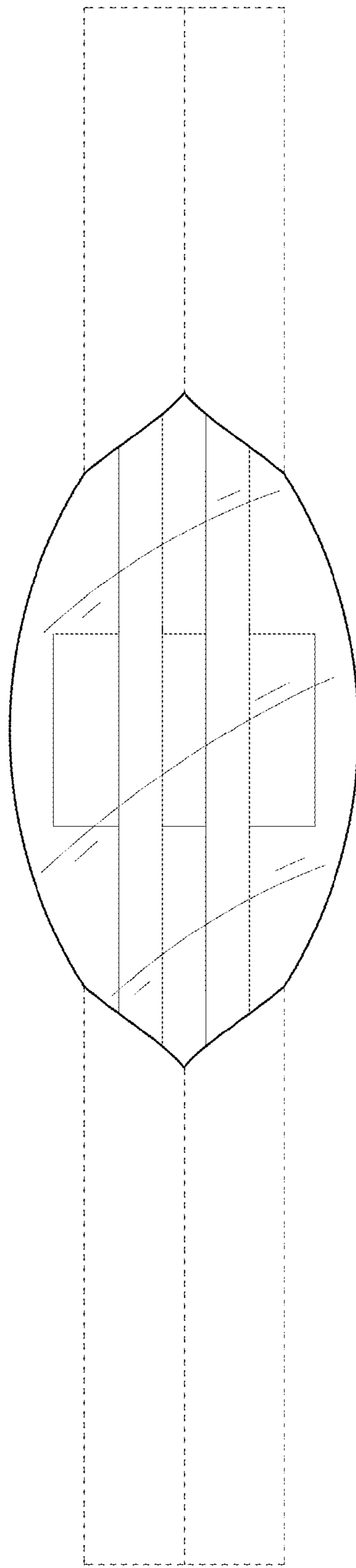


FIG. 4

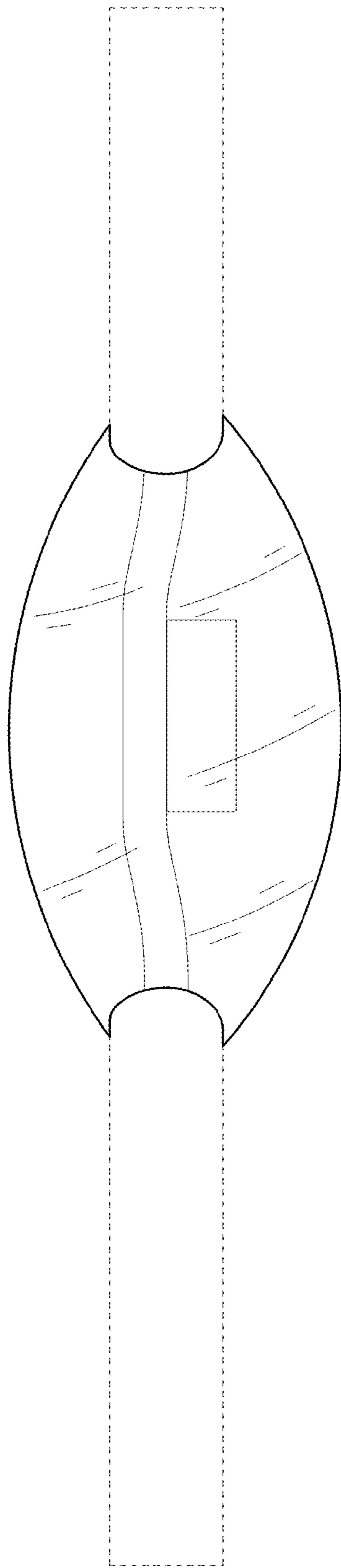


FIG. 5

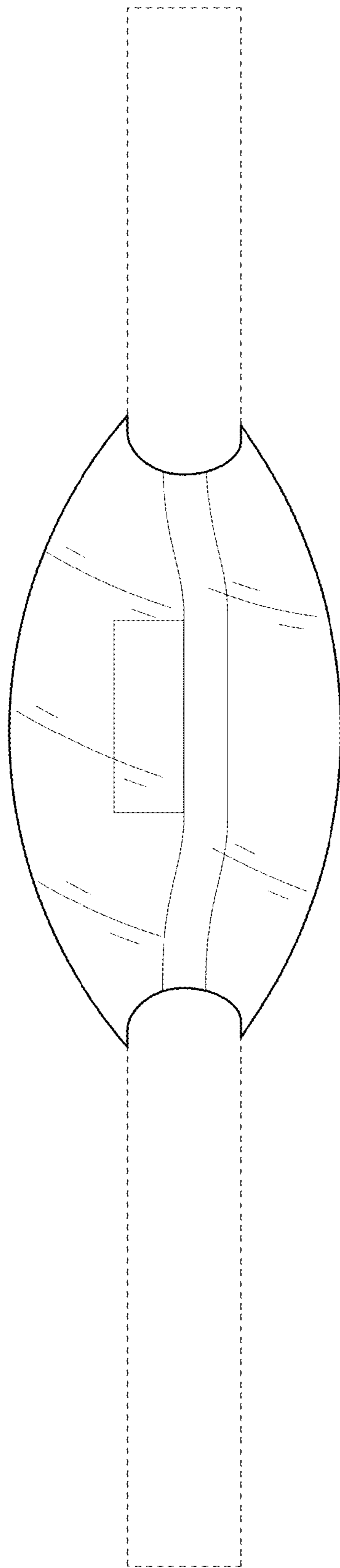


FIG. 6

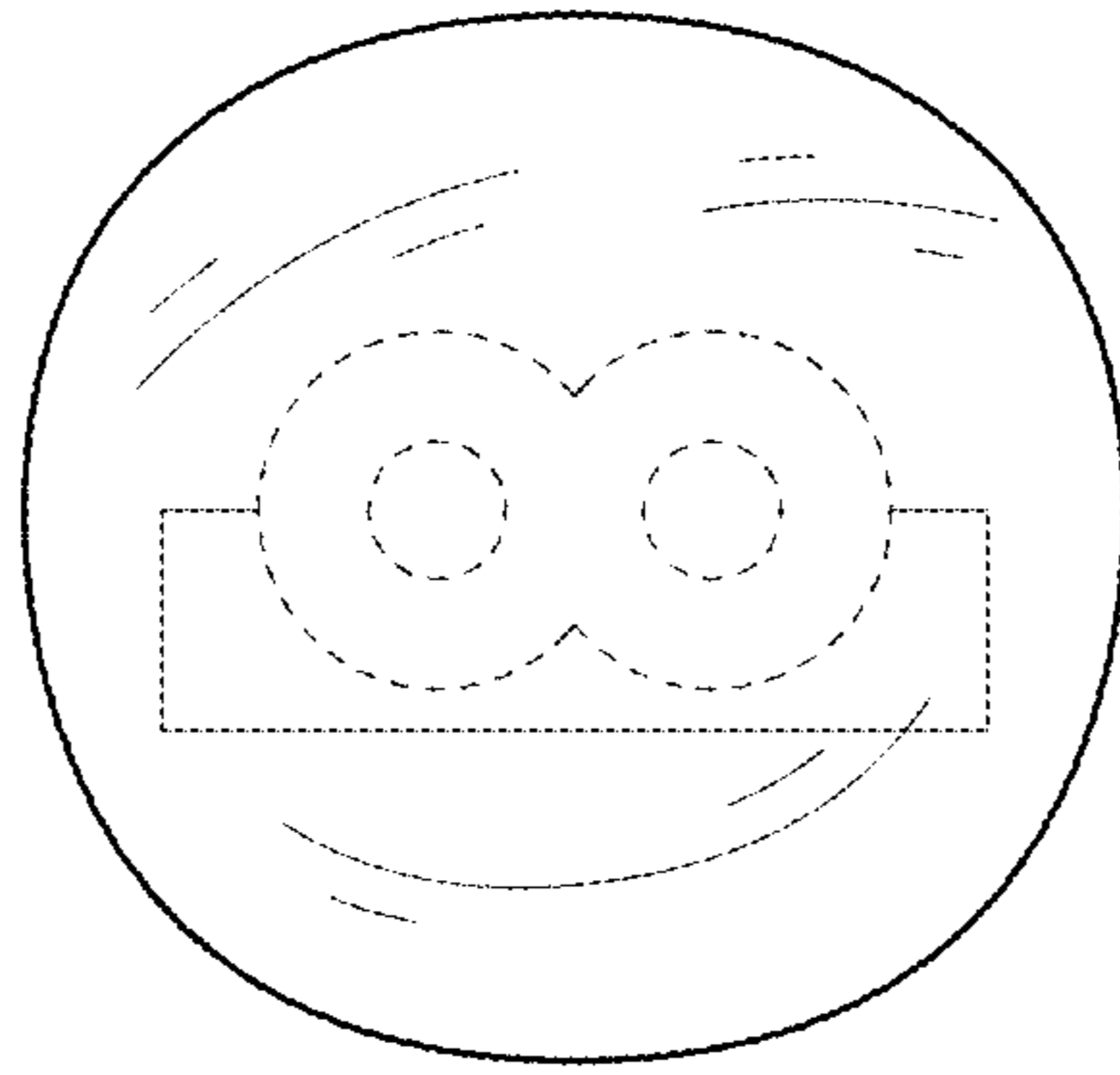


FIG. 7

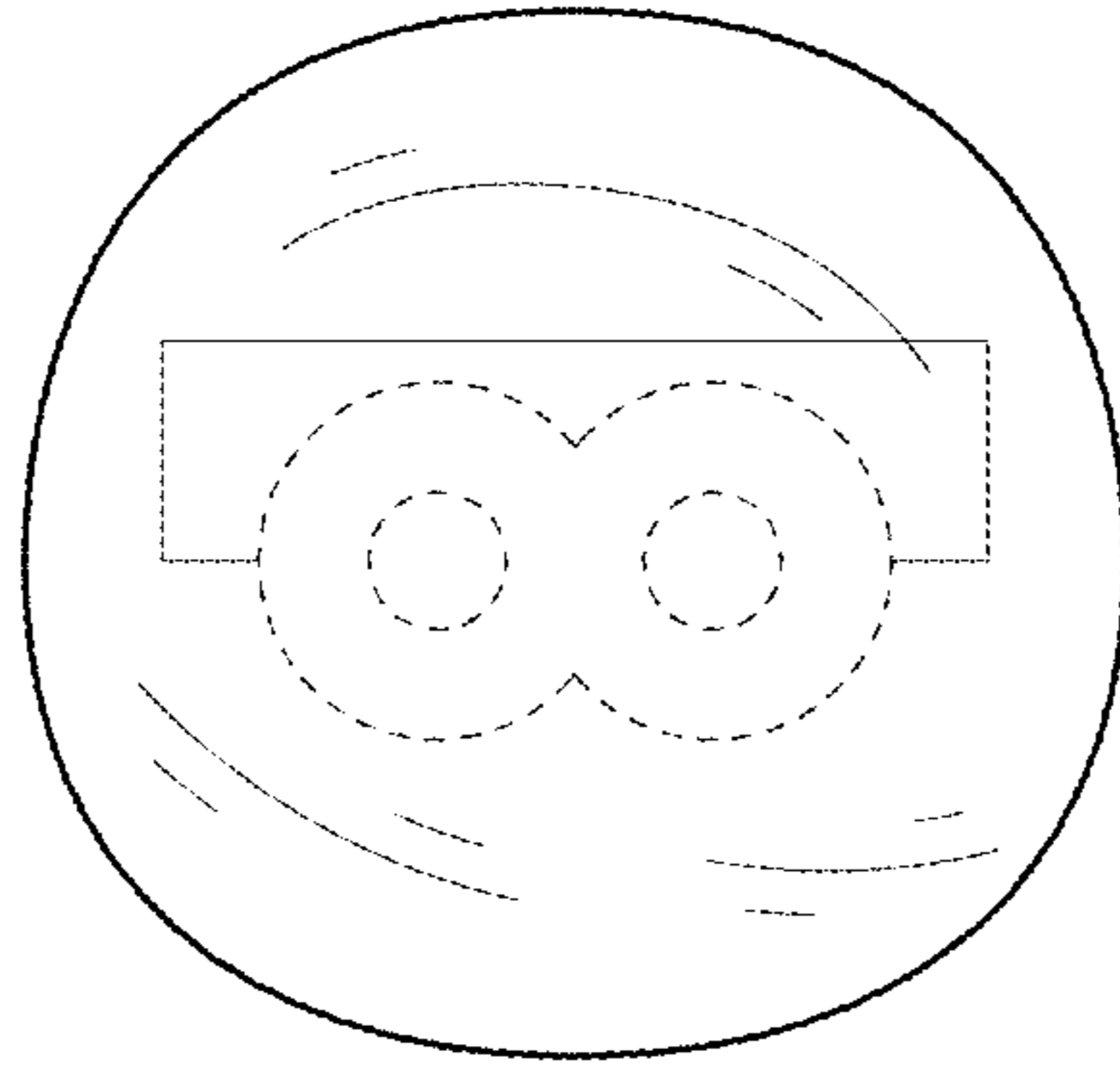


FIG. 8