



US00D977153S

(12) **United States Design Patent**
Wang

(10) **Patent No.:** **US D977,153 S**
(45) **Date of Patent:** **** Jan. 31, 2023**

(54) **PAVILION**
(71) Applicant: **SHANGHAI SUNC INTELLIGENCE SHADE TECHNOLOGY CO., LTD,**
Shanghai (CN)

8,640,420 B1 * 2/2014 Halley E04F 10/08
52/650.1

D788,940 S * 6/2017 Lavery D25/56
D799,062 S * 10/2017 Larin D25/56

(Continued)

(72) Inventor: **Chao Wang,** Xuzhou (CN)
(73) Assignee: **SHANGHAI SUNC INTELLIGENCE SHADE TECHNOLOGY CO., LTD,**
Shanghai (CN)

FOREIGN PATENT DOCUMENTS

EM 005816741-0001 * 1/2019
EM 008703441-0001 * 10/2021

Primary Examiner — Leanne Was-Englehart

(**) Term: **15 Years**

(57) **CLAIM**

The ornamental design for a pavilion, as shown and described.

(21) Appl. No.: **29/830,506**

DESCRIPTION

(22) Filed: **Mar. 14, 2022**

(51) **LOC (14) Cl.** **25-02**

(52) **U.S. Cl.**
USPC **D25/56**

(58) **Field of Classification Search**
USPC D25/55, 56, 57, 61
CPC .. E04B 7/045; E04B 1/2604; E04B 2001/266;
E04B 2103/04; E04F 10/06; E04F 10/08;
E04H 15/08; E04H 15/34; E04H 15/54;
E04H 15/60; E04H 1/1205
See application file for complete search history.

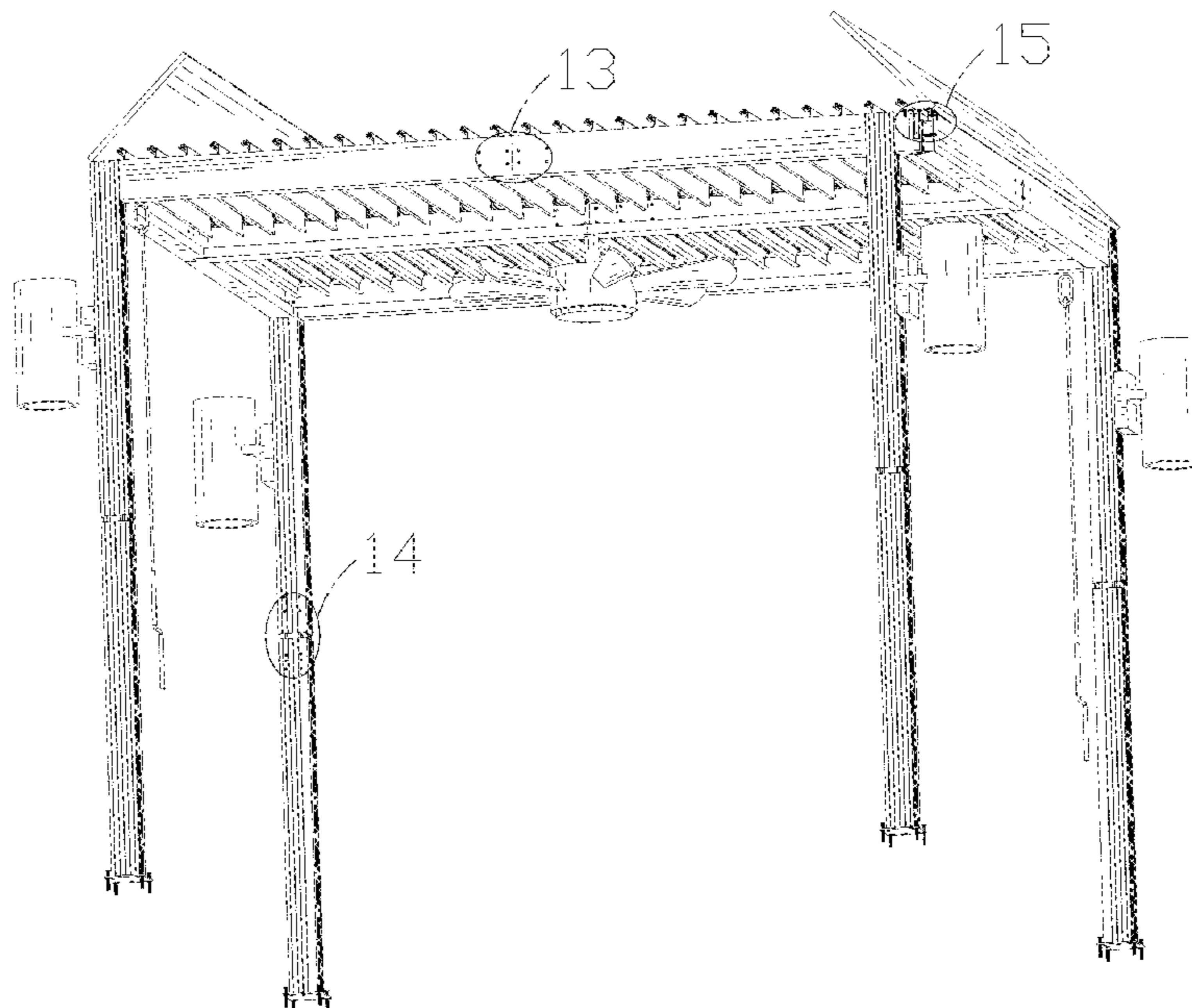
FIG. 1 is a perspective view of a pavilion showing my new design;
FIG. 2 is another perspective view thereof;
FIG. 3 is a front elevational view thereof;
FIG. 4 is a rear elevational view thereof;
FIG. 5 is a left side elevational view thereof;
FIG. 6 is a right side elevational view thereof;
FIG. 7 is a top plan view thereof;
FIG. 8 is a bottom plan view thereof;
FIG. 9 is an enlarged view of portion 9 shown in FIG. 1;
FIG. 10 is an enlarged view of portion 10 shown in FIG. 1;
FIG. 11 is an enlarged view of portion 11 shown in FIG. 1;
FIG. 12 is an enlarged view of portion 12 shown in FIG. 1;
FIG. 13 is an enlarged view of portion 13 shown in FIG. 2;
FIG. 14 is an enlarged view of portion 14 shown in FIG. 2;
and,
FIG. 15 is an enlarged view of portion 15 shown in FIG. 2.
The dash-dash broken lines in the drawings depict portions of the pavilion that form no part of the claimed design. The dot-dash broken lines represent boundaries of the enlarged portions and form no part of the claimed design.

(56) **References Cited**

U.S. PATENT DOCUMENTS

3,226,891 A * 1/1966 Heirich E04F 10/08
52/95
D280,343 S * 8/1985 Schultz D25/1
D605,306 S 12/2009 Arnell
D622,871 S * 8/2010 Rowlinson D25/56
D624,665 S * 9/2010 Rowlinson D25/56
D630,288 S * 1/2011 Grazioso E04F 10/02
D21/837

1 Claim, 15 Drawing Sheets



(56)

References Cited

U.S. PATENT DOCUMENTS

D850,654	S	6/2019	Ji	
D863,597	S	* 10/2019	Li D25/56
10,760,280	B2	* 9/2020	Pan E04F 10/02
10,851,544	B1	* 12/2020	Volin E04B 7/16
11,156,014	B1	* 10/2021	He E04F 10/02
2018/0320374	A1	* 11/2018	Castel E03B 3/03
2019/0237955	A1	* 8/2019	Day H02G 3/386
2021/0010270	A1	* 1/2021	Zhao E04B 1/163

* cited by examiner

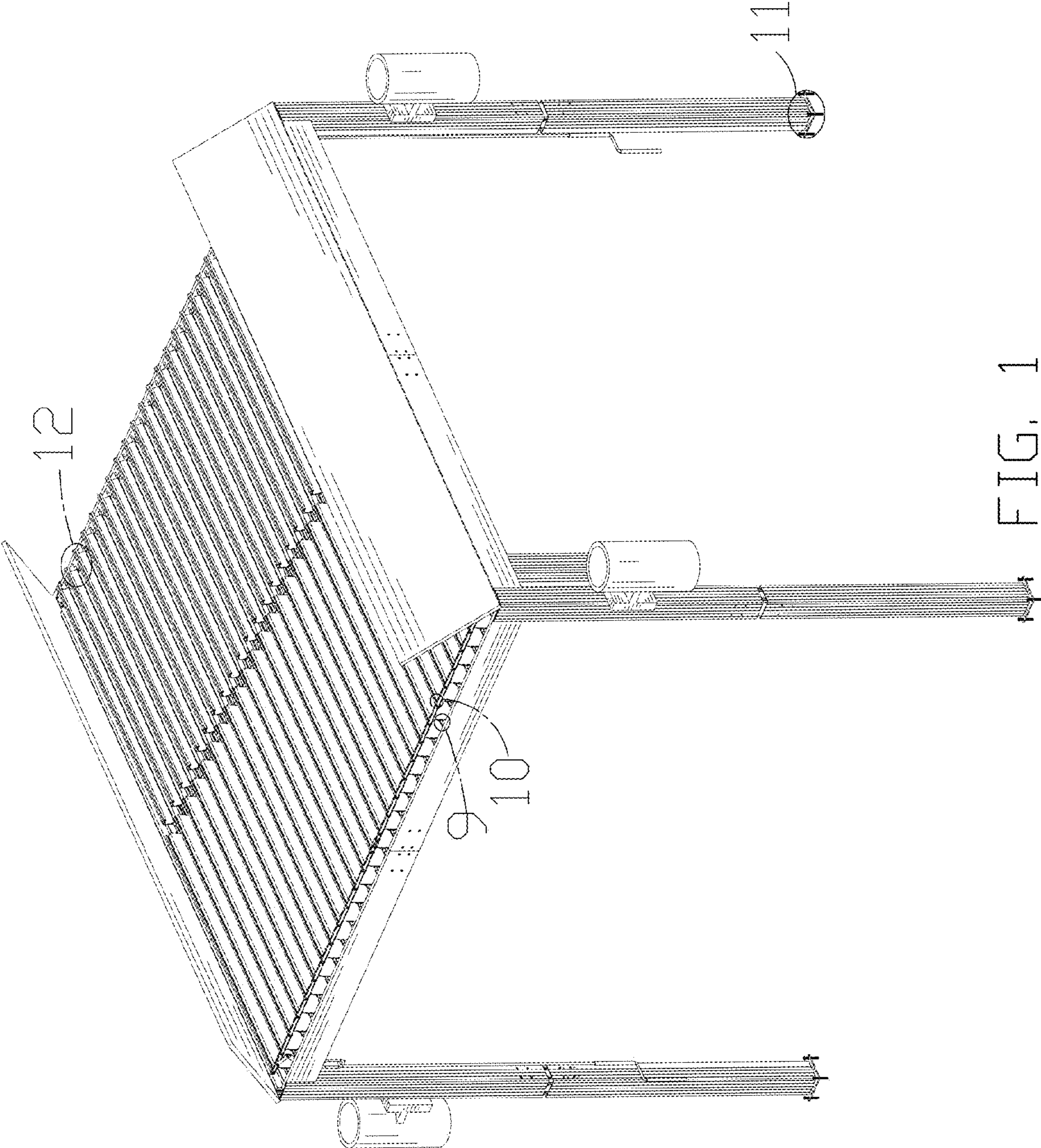


FIG. 1

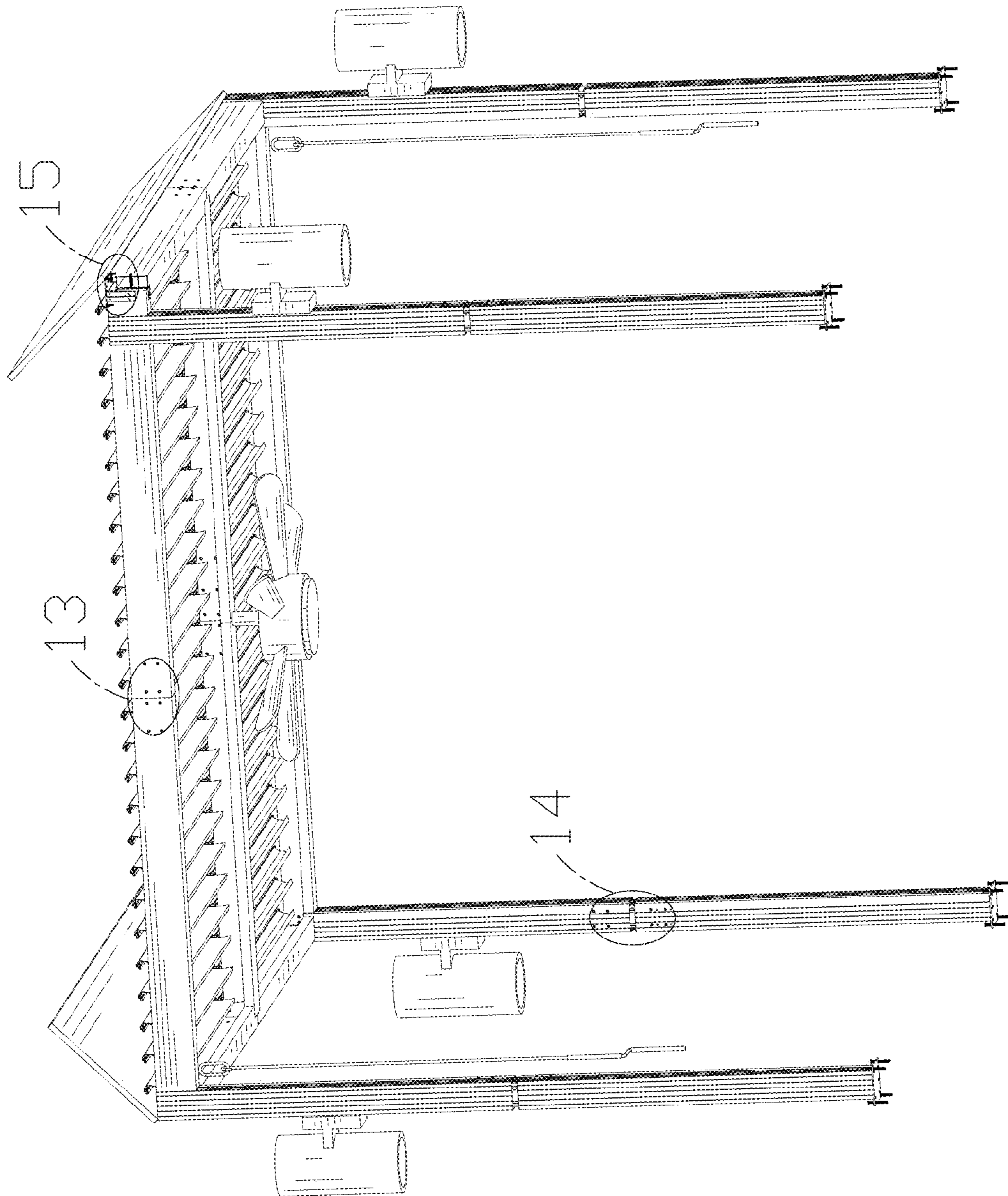


FIG. 2

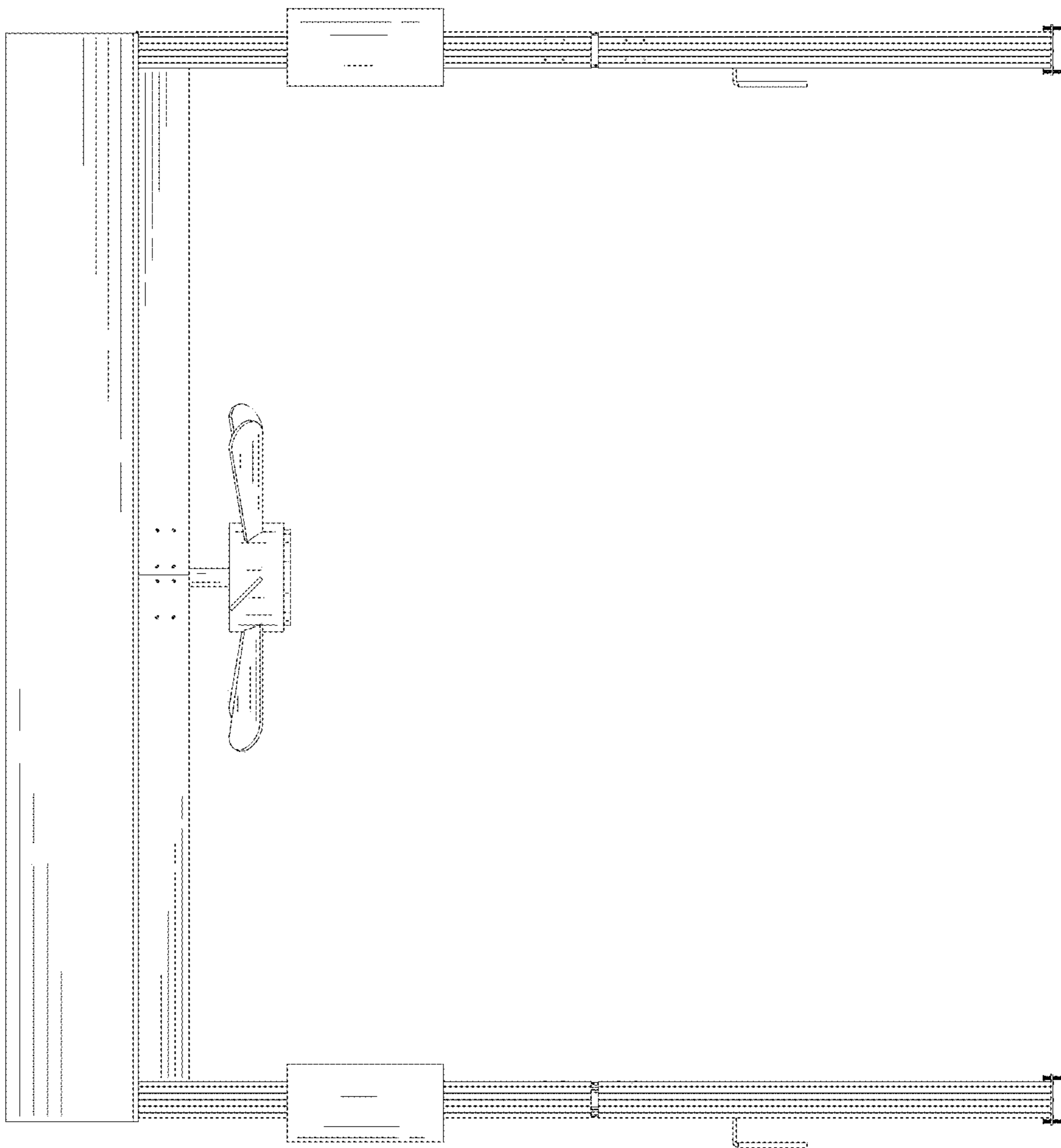


FIG. 3

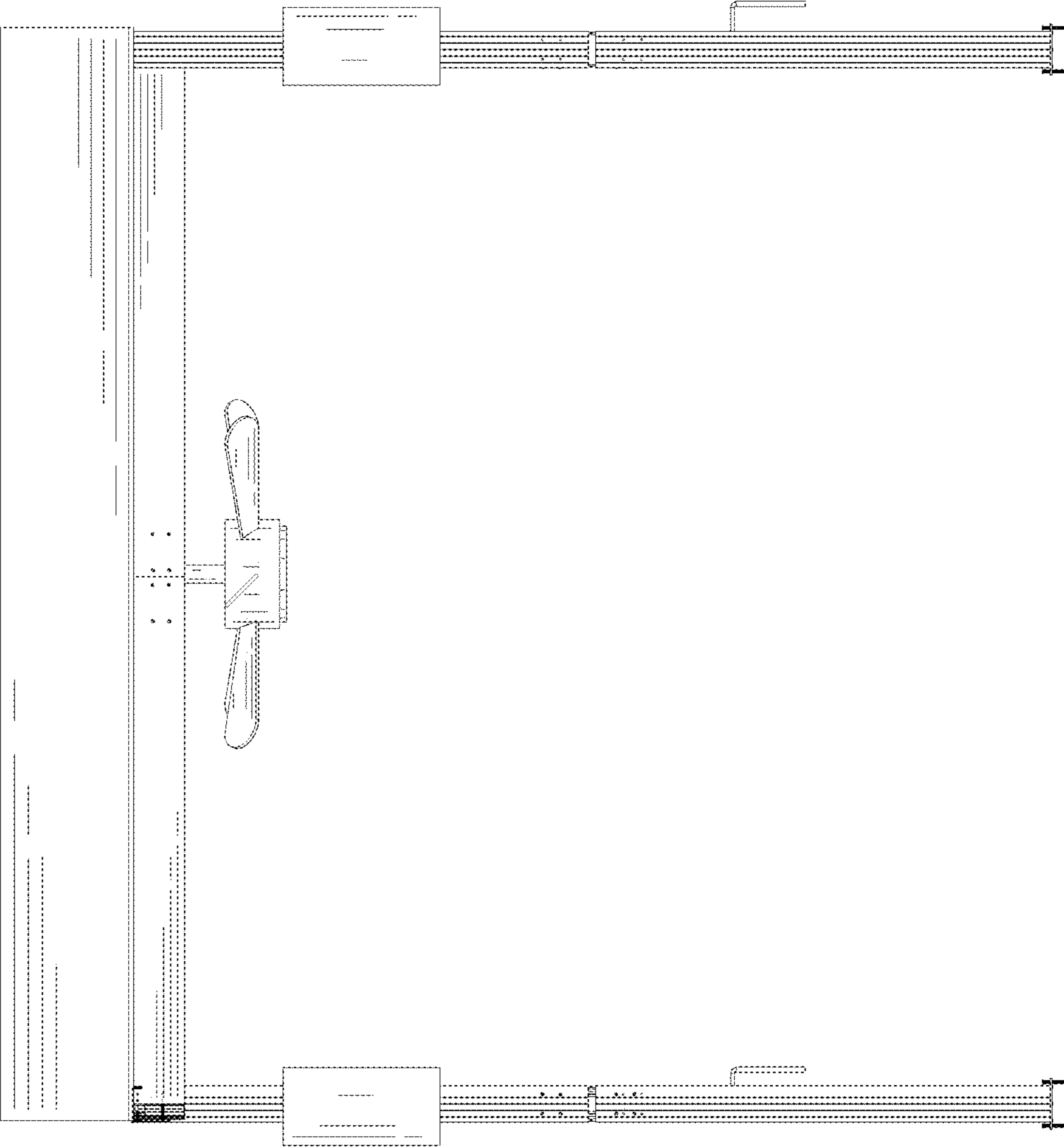


FIG. 4

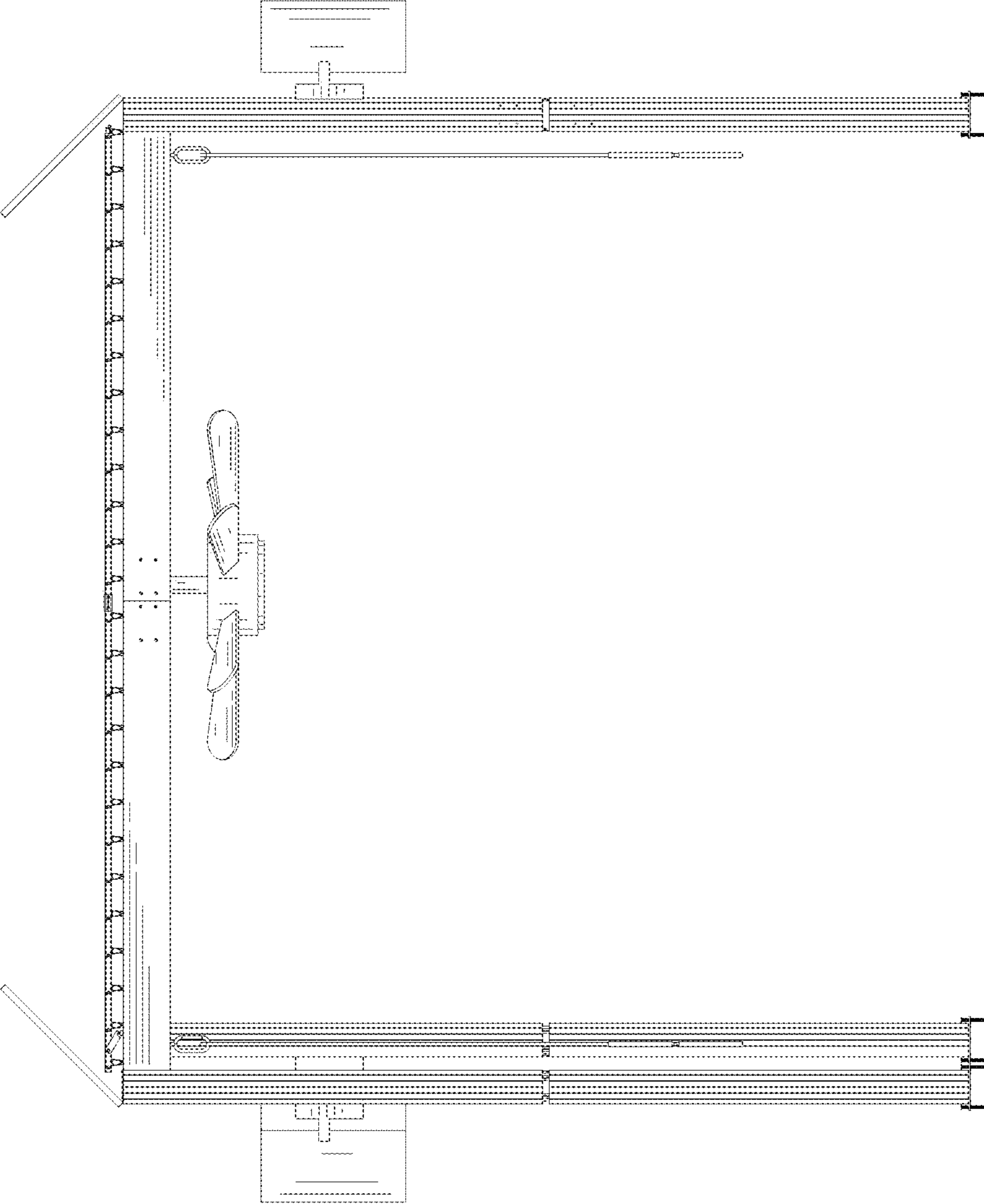


FIG. 5

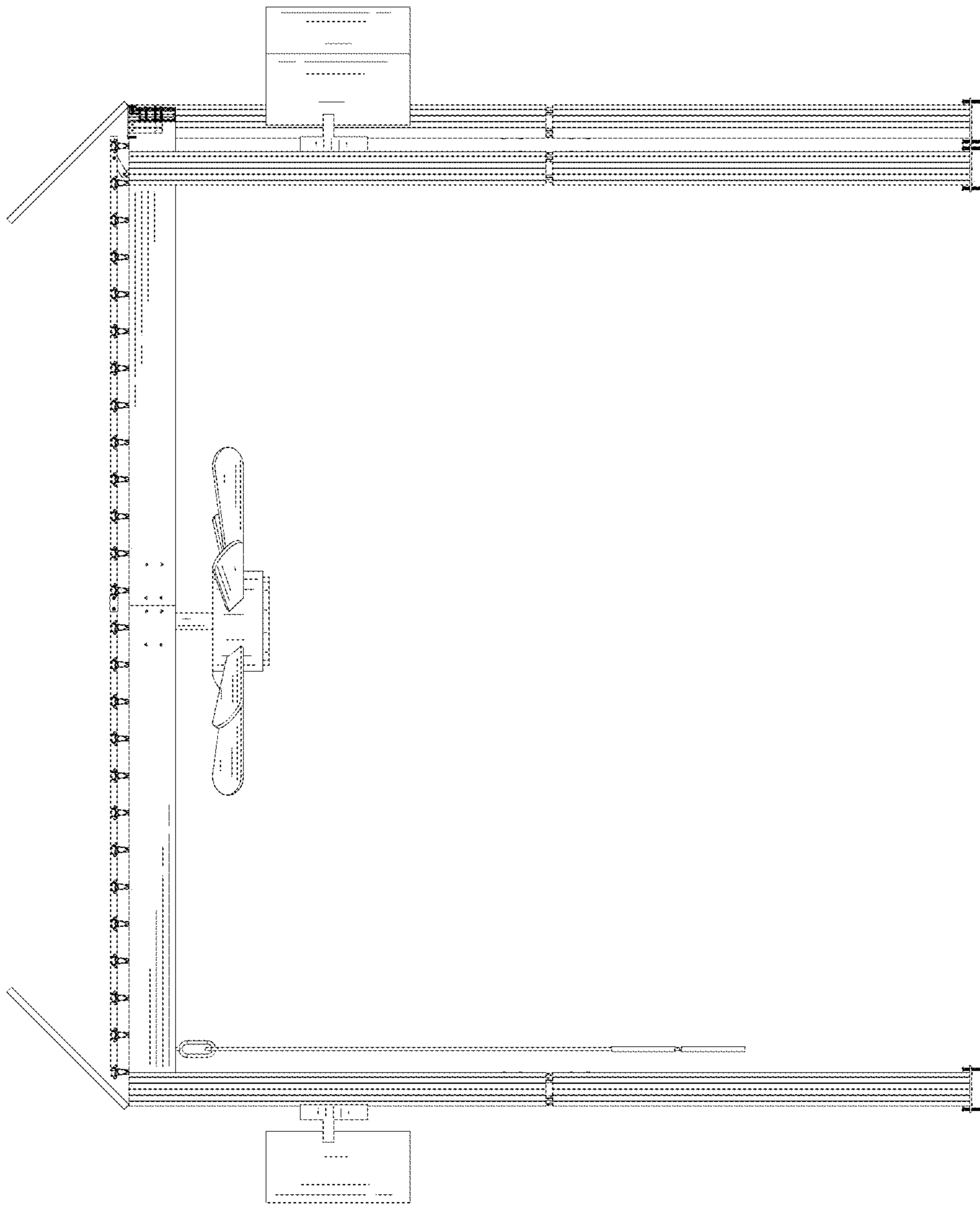


FIG. 6

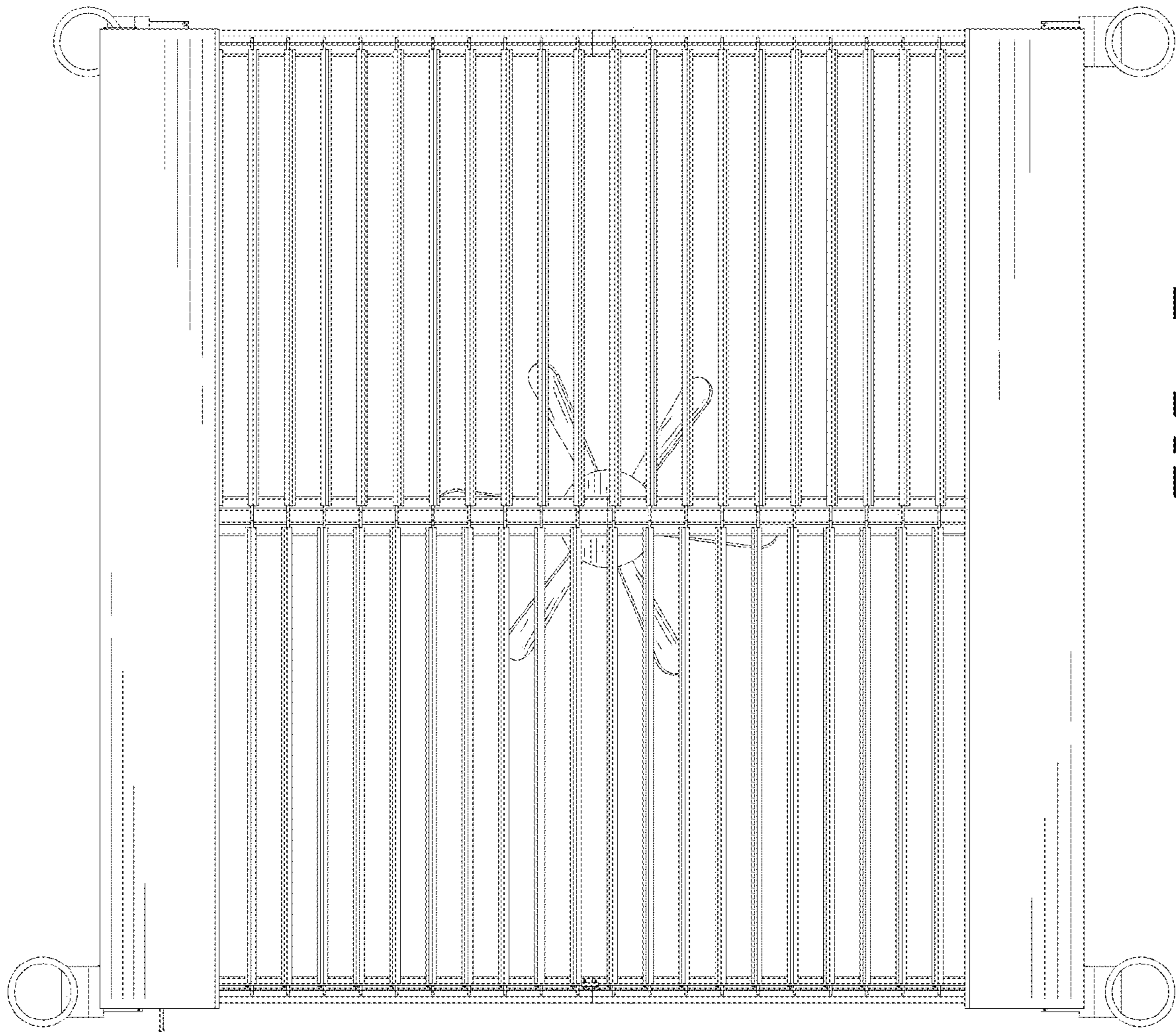


FIG. 7

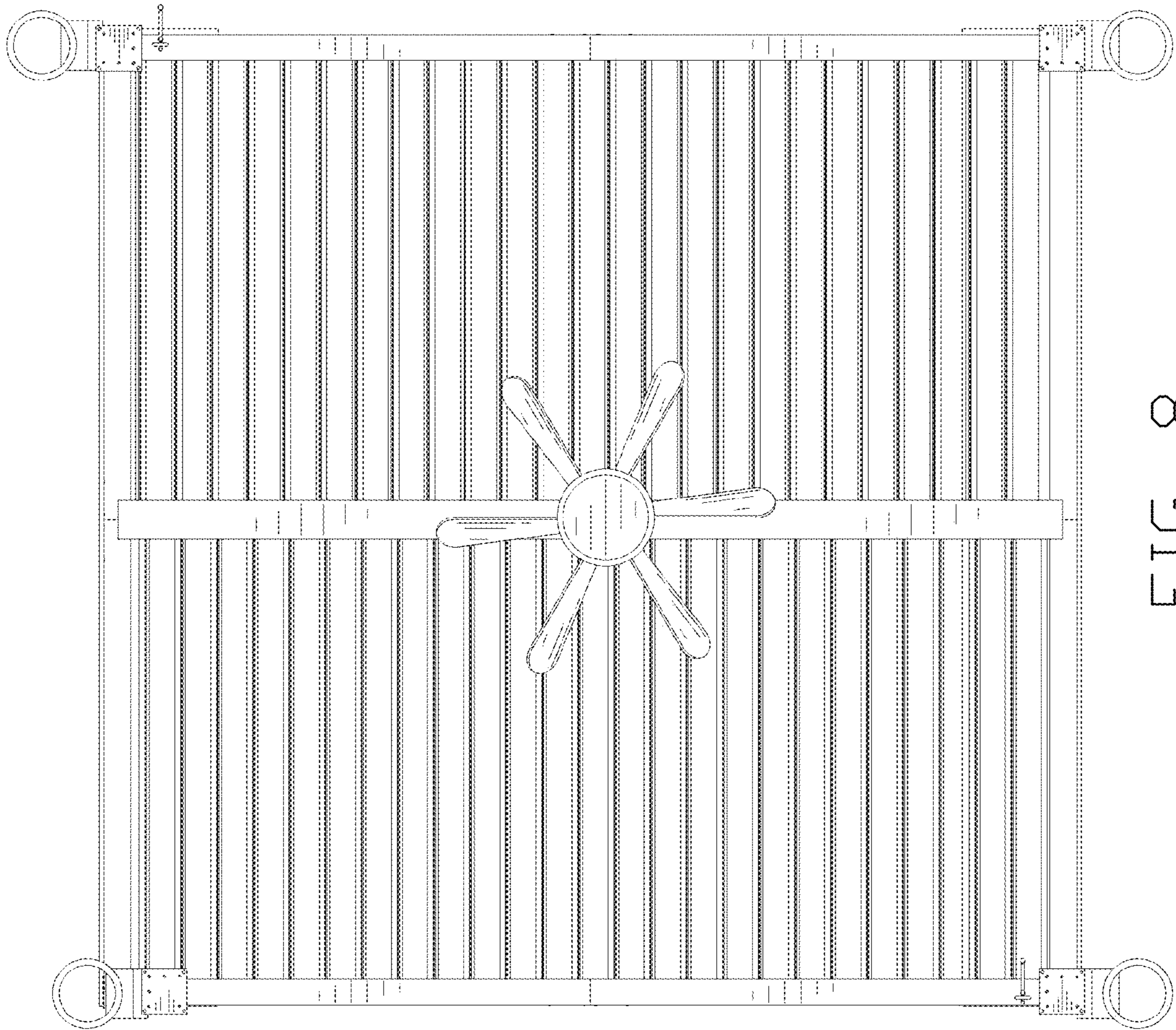


FIG. 8

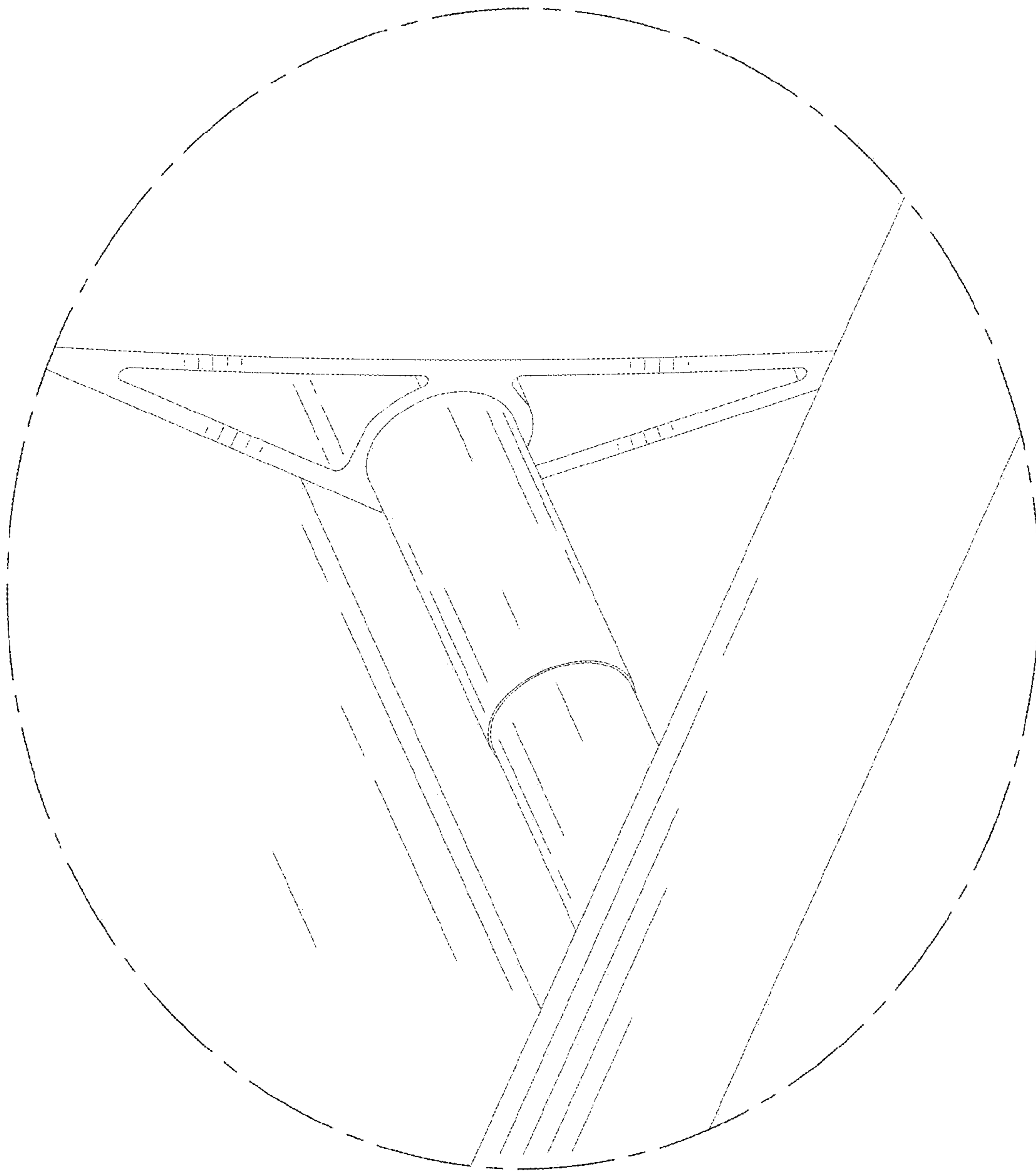


FIG. 9

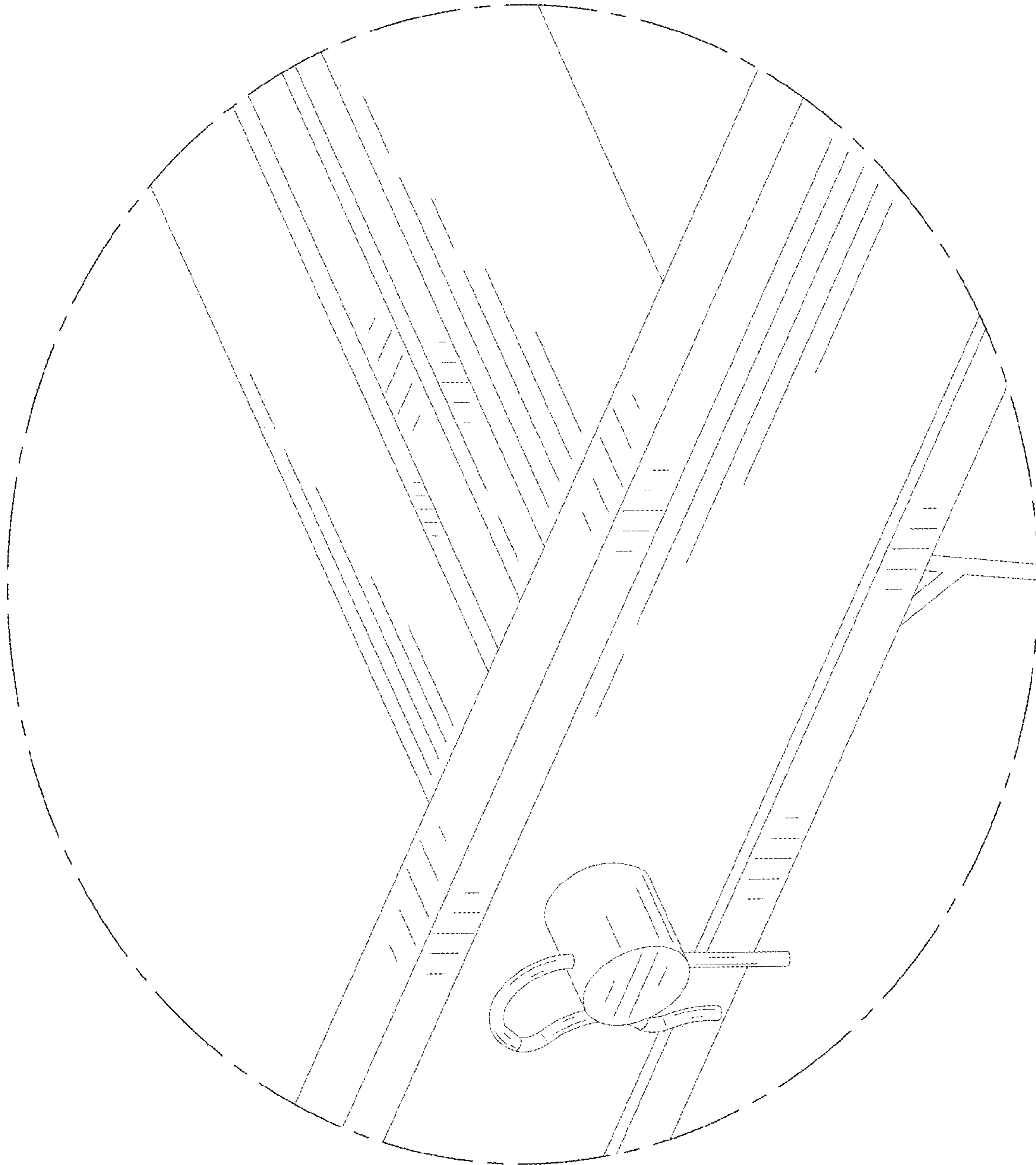


FIG. 10

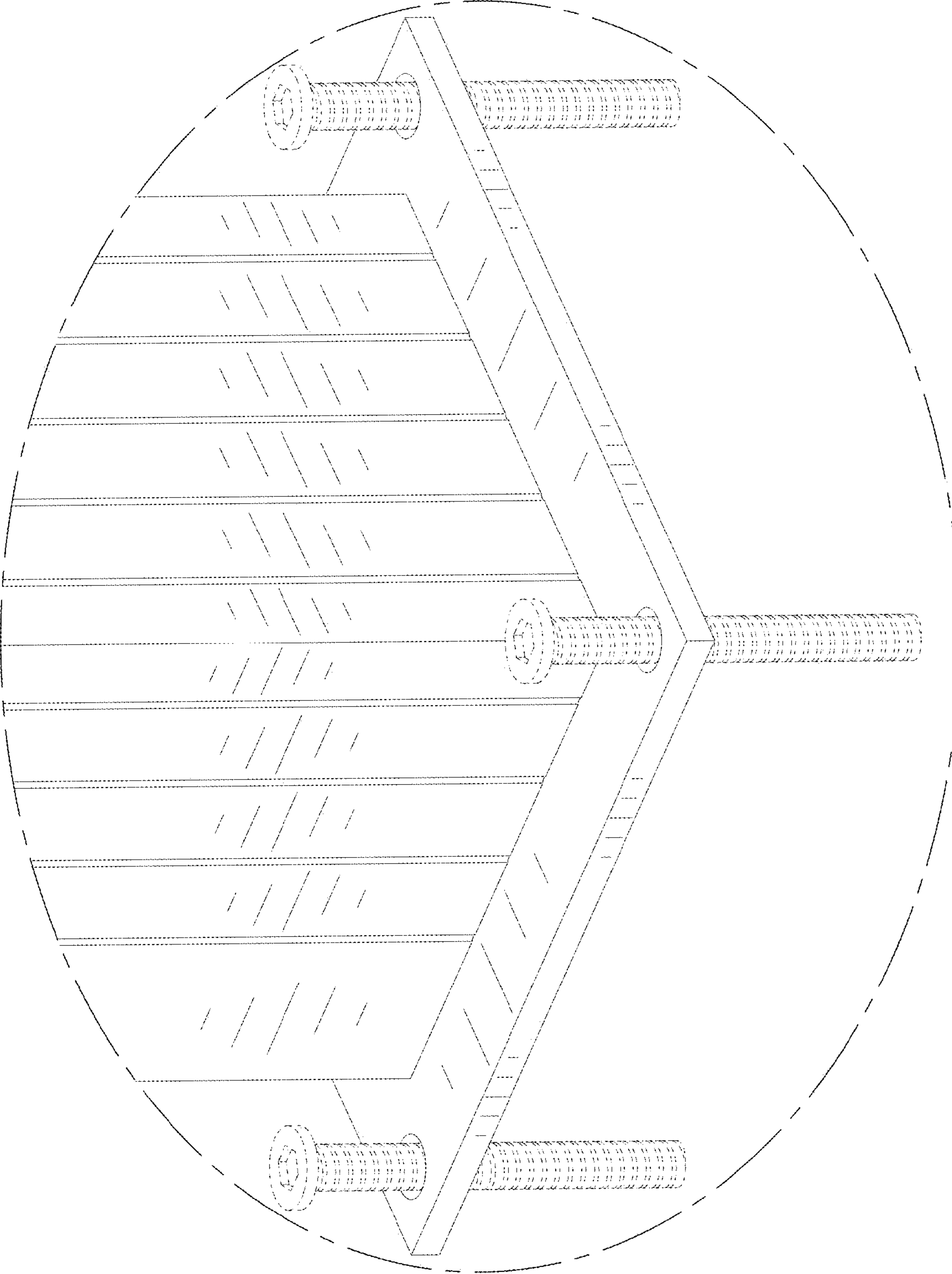


FIG. 11

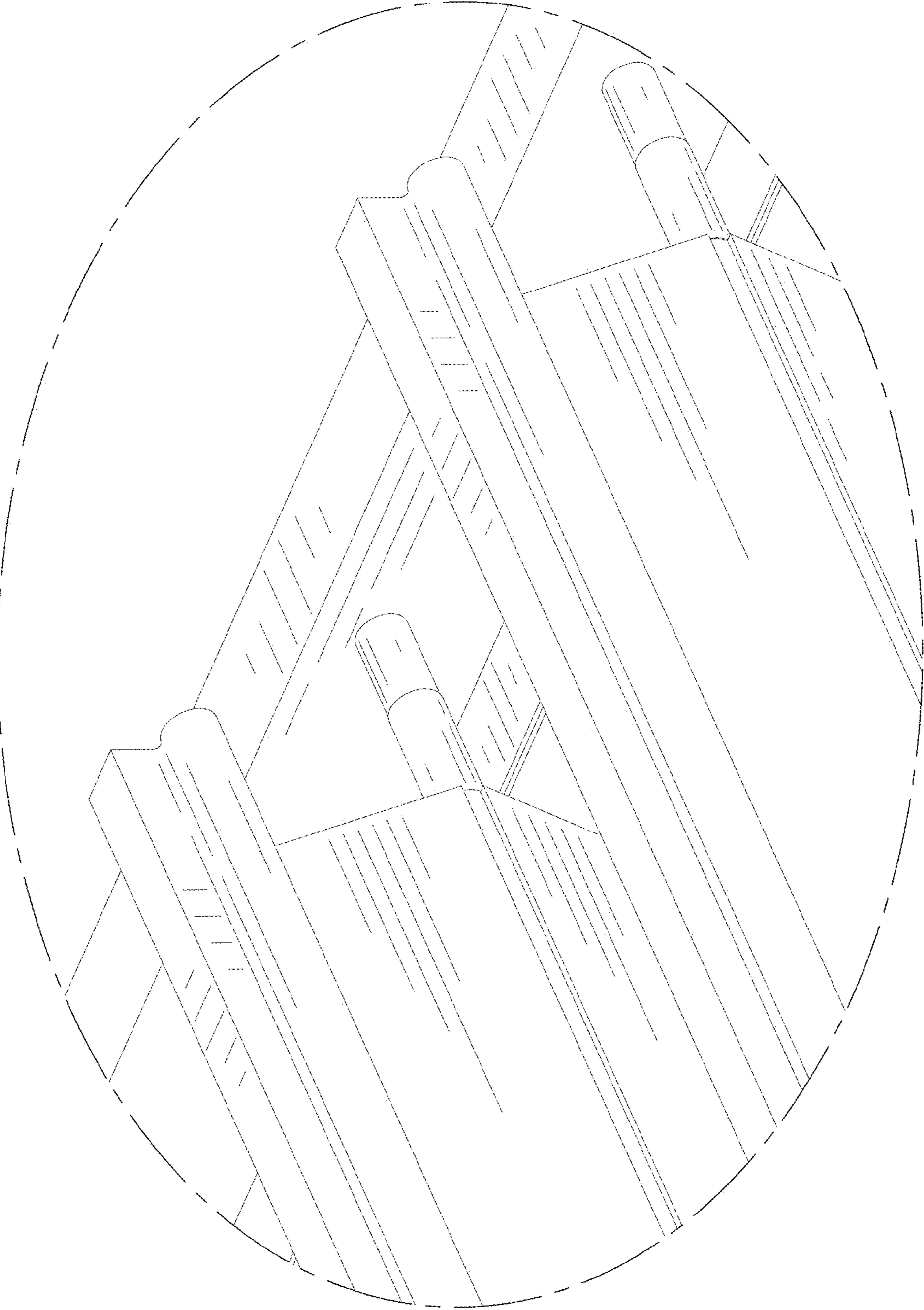


FIG. 12

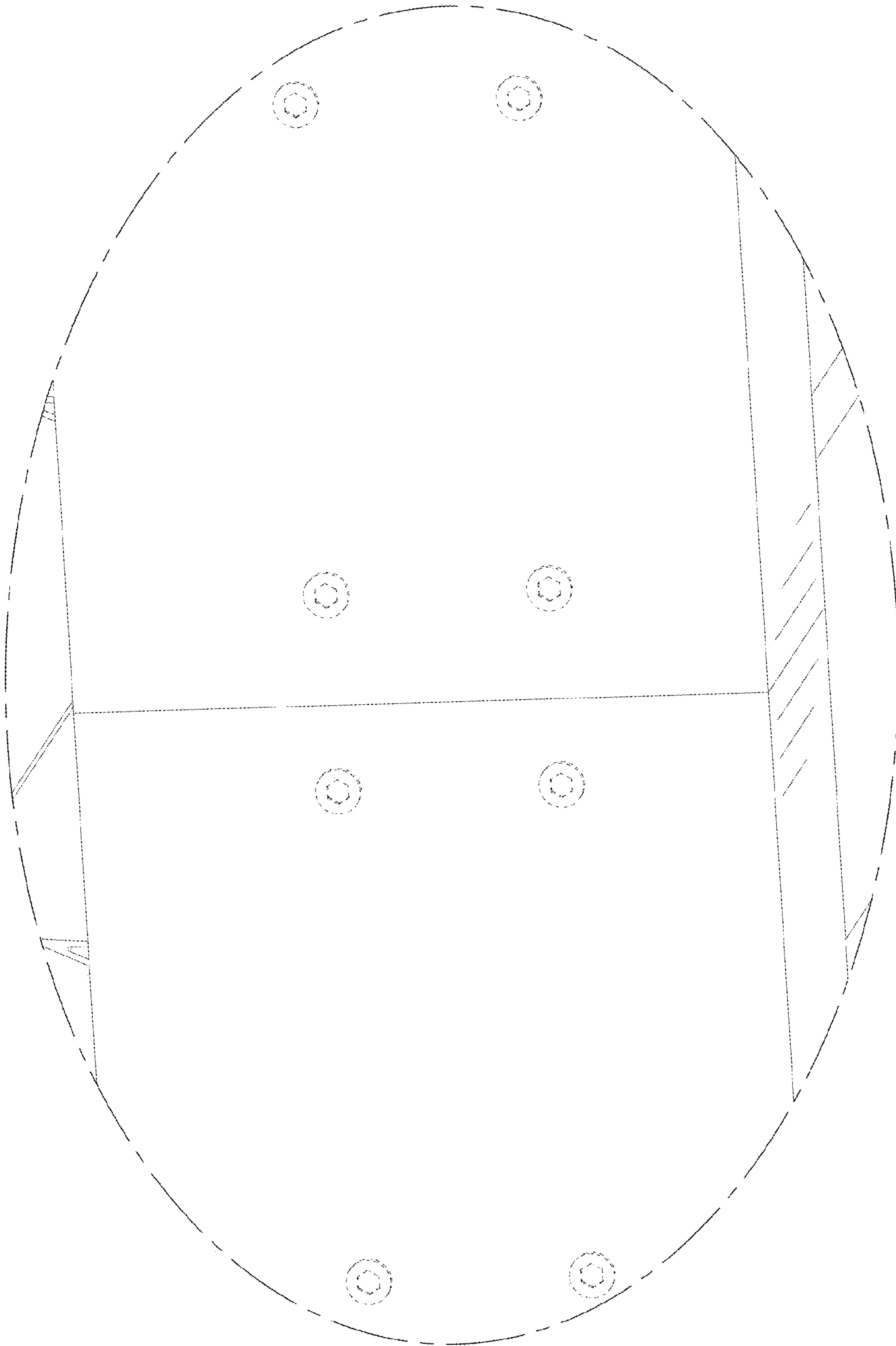


FIG. 13

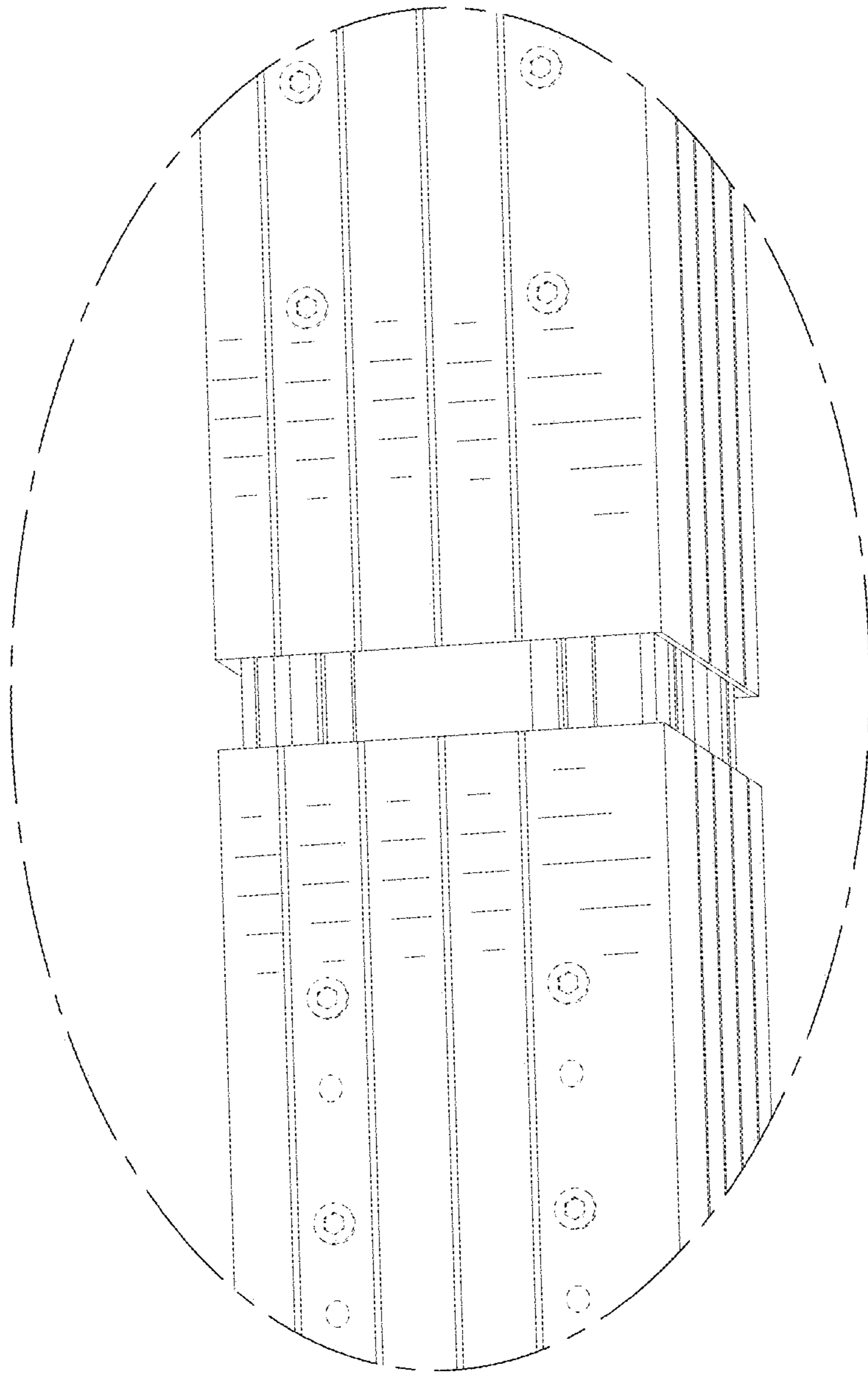


FIG. 14

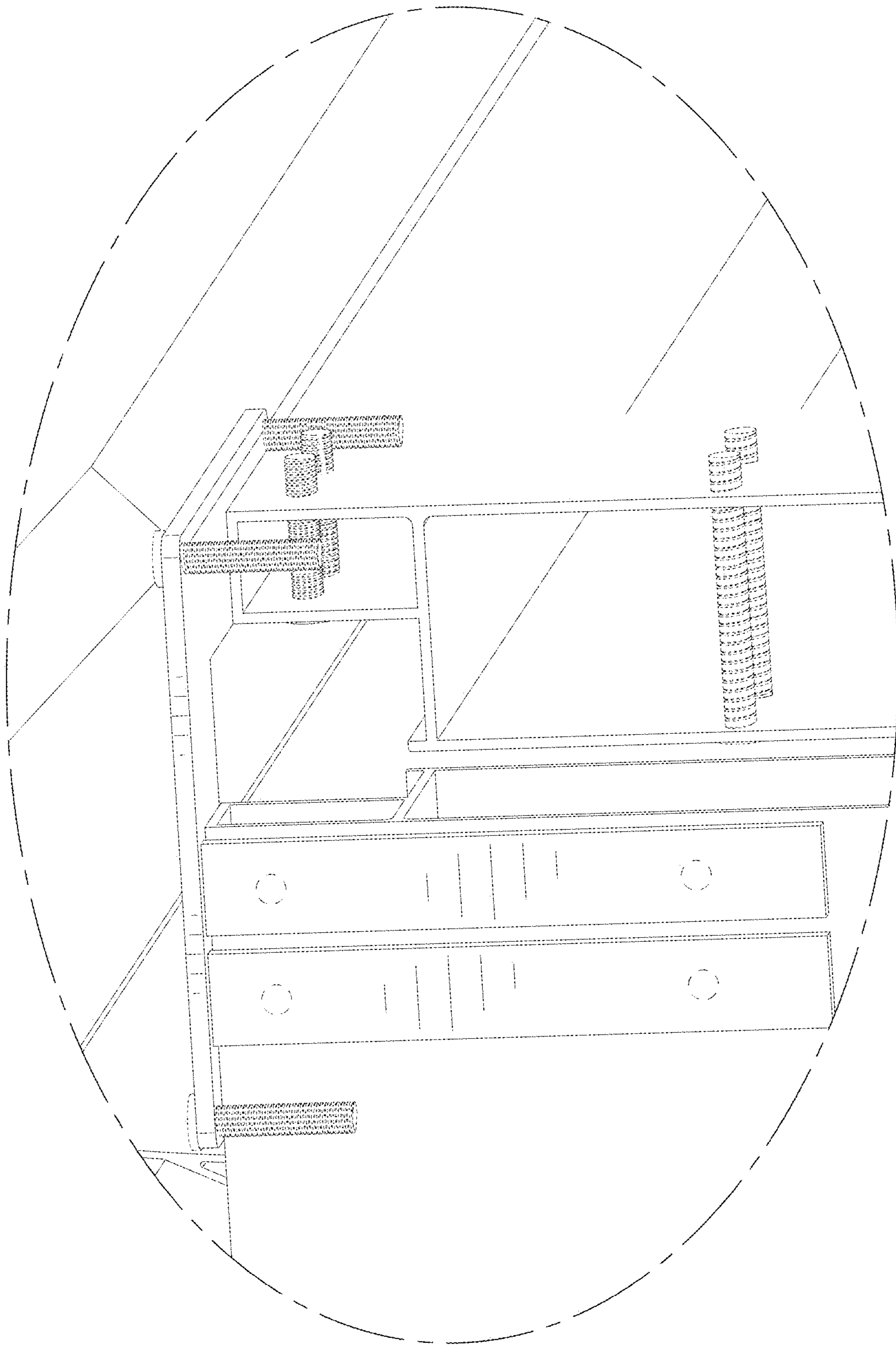


FIG. 15